



US00D987128S

(12) **United States Design Patent**
Morgan

(10) **Patent No.:** **US D987,128 S**

(45) **Date of Patent:** **** May 23, 2023**

(54) **CABINET LIGHT**

(71) Applicant: **Scott Morgan**, San Jacinto, CA (US)

(72) Inventor: **Scott Morgan**, San Jacinto, CA (US)

(**) Term: **15 Years**

(21) Appl. No.: **29/754,340**

(22) Filed: **Oct. 9, 2020**

(51) **LOC (14) Cl.** **26-05**

(52) **U.S. Cl.**
USPC **D26/24**

(58) **Field of Classification Search**

USPC D26/1, 2, 24, 51, 52, 60, 72, 74, 85, 93,
D26/104, 106, 25
CPC F21S 6/00; F21S 8/00; F21S 8/02; F21S
8/03; F21S 8/035; F21S 8/04; F21S 8/06;
F21S 8/061; F21S 8/063; F21S 10/00;
F21K 9/00

See application file for complete search history.

(56) **References Cited**

U.S. PATENT DOCUMENTS

6,283,612 B1 * 9/2001 Hunter F21V 15/04
362/240
D514,726 S * 2/2006 Ping D26/60
D550,869 S * 9/2007 Hoshikawa D26/25
D573,738 S * 7/2008 Leen D26/60
D590,088 S * 4/2009 Dworschak D26/85
D604,870 S * 11/2009 Hong D26/24
D822,269 S * 7/2018 Oquendo, Jr. D26/155
D863,595 S * 10/2019 Liao D26/80

(Continued)

FOREIGN PATENT DOCUMENTS

CN 305047428 * 10/2018
CN 306310727 * 9/2020

OTHER PUBLICATIONS

“Power” reference by Power Practical Inc on Amazon.com, date first available Oct. 9, 2017 [online], site visited Apr. 15, 2022,

available from internet URL: <https://www.amazon.com/Luminoodle-Click-Battery-Powered-Lights/dp/B076B6STV5/> (Year: 2017).*

(Continued)

Primary Examiner — Richard Kearney

Assistant Examiner — Liv C Anderson

(74) *Attorney, Agent, or Firm* — Grants Law Firm; Allan Grant

(57) **CLAIM**

I claim the ornamental design for a cabinet light, as shown and as described.

DESCRIPTION

FIG. 1 is a perspective view of the cabinet light, shown with a symbolic break in its length, for ease of disclosure.

FIG. 2 is the front view of the cabinet light thereof.

FIG. 3 is a back view of the thereof.

FIG. 4 is a side view of the thereof.

FIG. 5 is the other side view of the thereof.

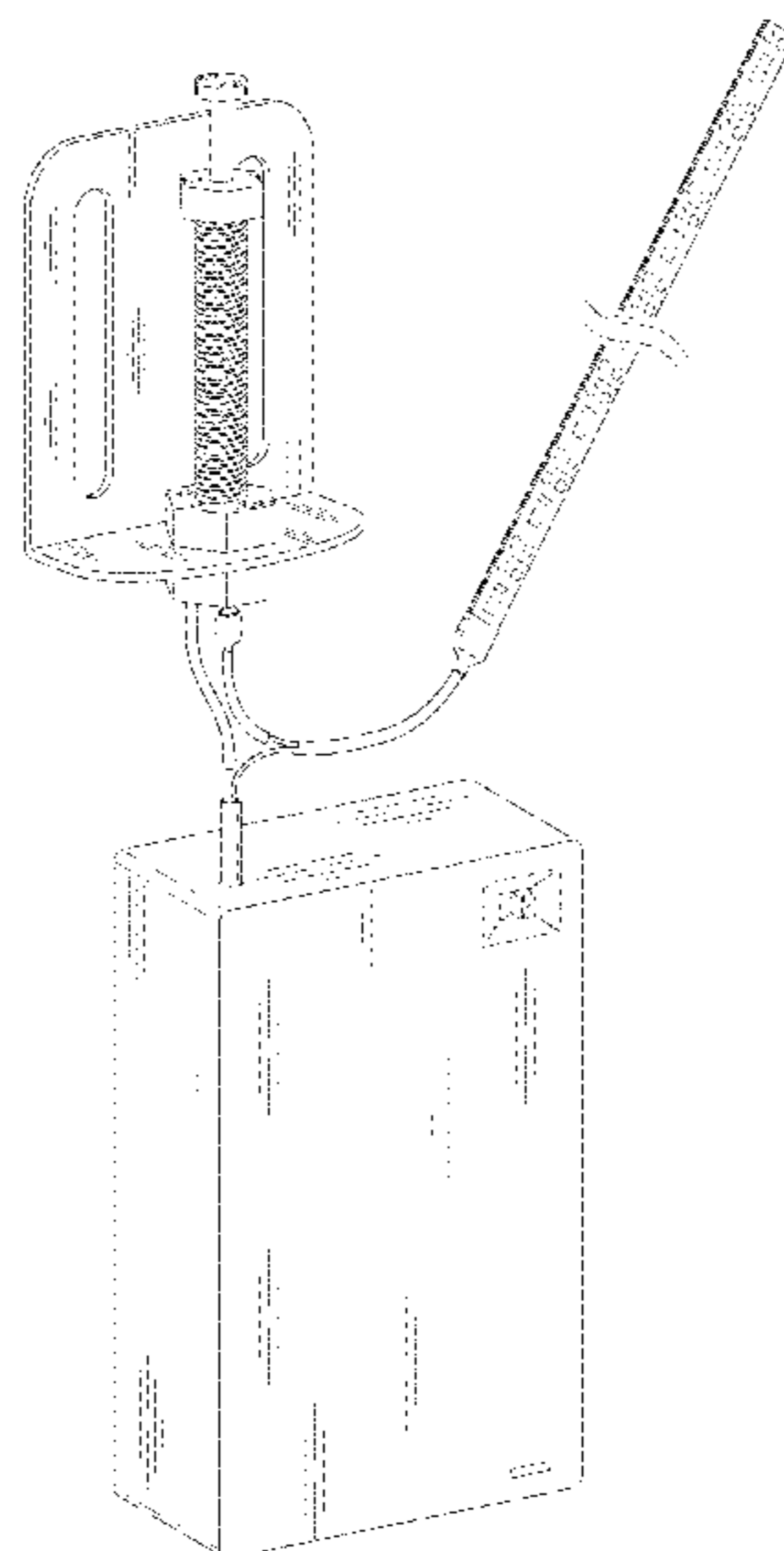
FIG. 6 is a top view of the thereof.

FIG. 7 is bottom view of the thereof; and,

FIG. 8 is a perspective view of the cabinet light thereof, shown in and alternate configuration of use within an environmental cabinet.

The evenly spaced broken lines shown in FIG. 8 are showing a cabinet and are provided for purpose of environment only and forms no part of the claimed design; The cabinet light is shown with a symbolic break in its length. The dash-dot-dot-dash broken lines shown in FIGS. 1-3, 6-7 are for illustrating the symbolic break only. The appearance of any portion of the article between the breaklines forms no part of the claimed design. The dash-dot-dot-dash lines in FIG. 8 are also illustrating a symbolic break. The appearance of any portion of the article to the outside of the breaklines forms no part of the claimed design.

1 Claim, 6 Drawing Sheets



(56)

References Cited

U.S. PATENT DOCUMENTS

D869,695	S *	12/2019	Deng	D26/56
D880,019	S *	3/2020	Leydig	D26/3
D884,931	S *	5/2020	Yang	D26/24
D887,032	S *	6/2020	Toledo	D26/1
D912,874	S *	3/2021	Weber	D26/74
D924,469	S *	7/2021	Li	D26/140
2004/0104282	A1 *	6/2004	Wooten	F21S 8/00 239/18
2010/0008090	A1 *	1/2010	Li	F21V 23/06 362/249.02
2012/0120644	A1 *	5/2012	Rieger	F21S 4/24 451/28
2015/0062901	A1 *	3/2015	Chen	F21V 15/012 362/249.04
2016/0330812	A1 *	11/2016	Hsue	F21V 23/005
2016/0374180	A1 *	12/2016	Feng	F21S 4/22
2018/0320839	A1 *	11/2018	Briscoe	F21V 31/005
2019/0154241	A1 *	5/2019	Danville	F21V 23/04

OTHER PUBLICATIONS

“Rechargeable Motion Sensor Strip” reference by Wobane on Amazon.com, date first available Aug. 5, 2020 [online], site visited Apr. 15, 2022, available from internet URL: <https://www.amazon.com/Rechargeable-WOBANE-Lighting-Operated-Wardrobe/dp/B08F9LPLV2> (Year: 2020).*

“Rechargeable Motion Sensor Wardrobe” reference by Kucam Direct on Amazon.com, date first available Feb. 18, 2020 [online], site visited Apr. 15, 2022, available from internet URL: <https://www.amazon.com/Rechargeable-Wardrobe-Bedside-Bathroom-Cabinet/dp/B084WVRRJC> (Year: 2020).*

“Sensky” reference by Sensky on Amazon.com, date first available Aug. 11, 2020 [online], site visited Apr. 15, 2022, available from internet URL: <https://www.amazon.com/Cabinet-Lighting-Flexible-Adapter-Wardrobe/dp/B086ZCP62Y> (Year: 2020).*

* cited by examiner

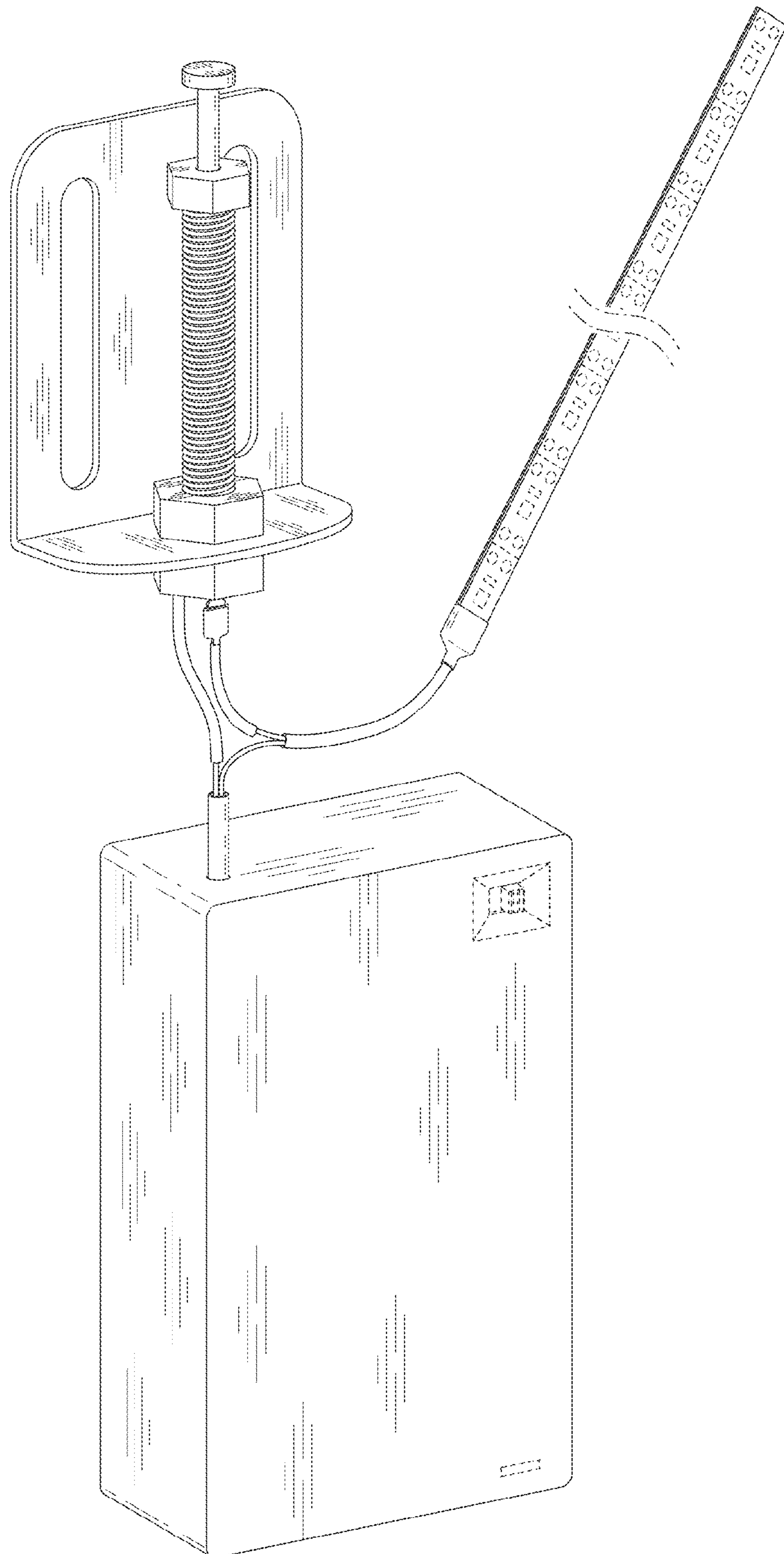


Fig. 1

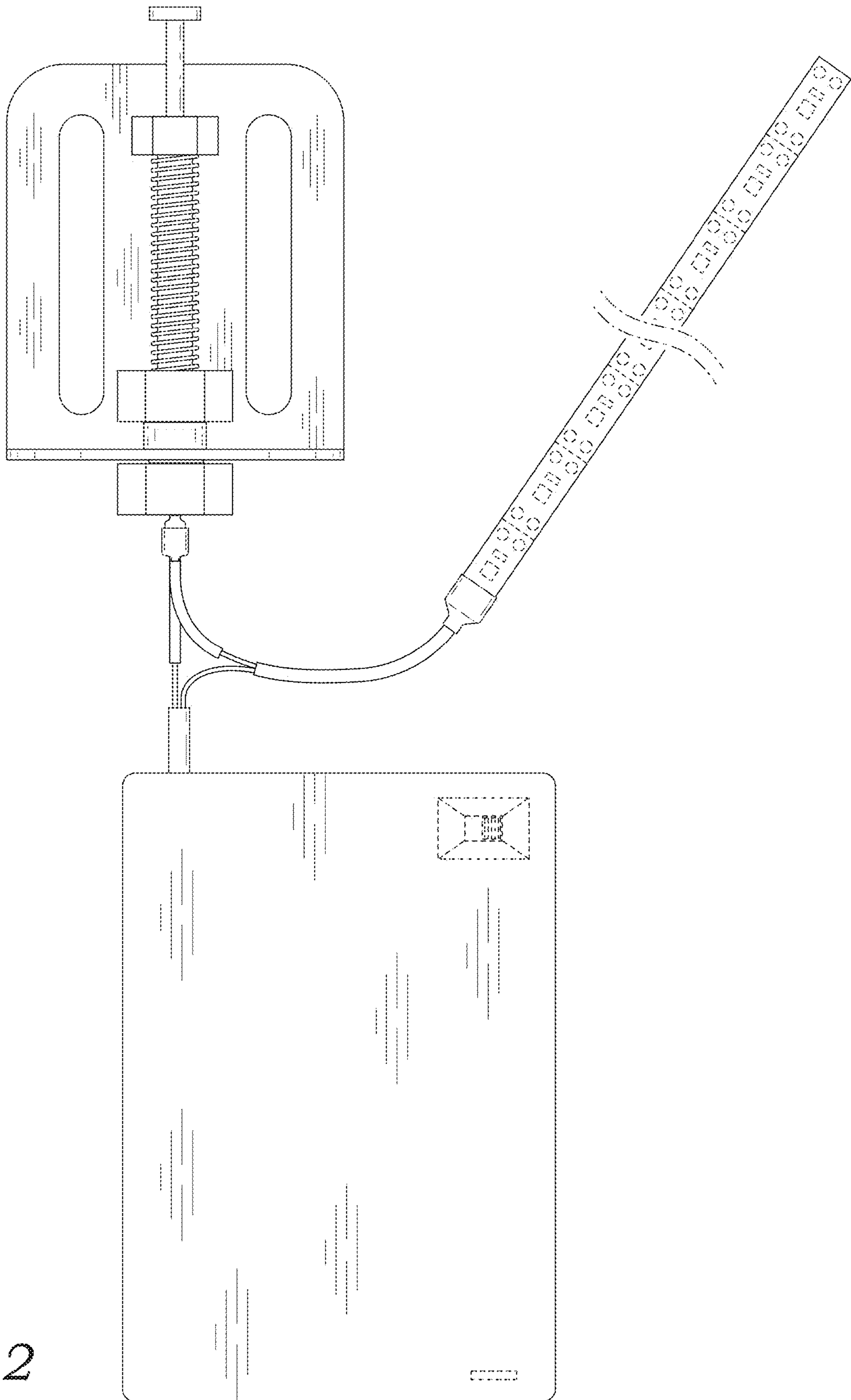


Fig. 2

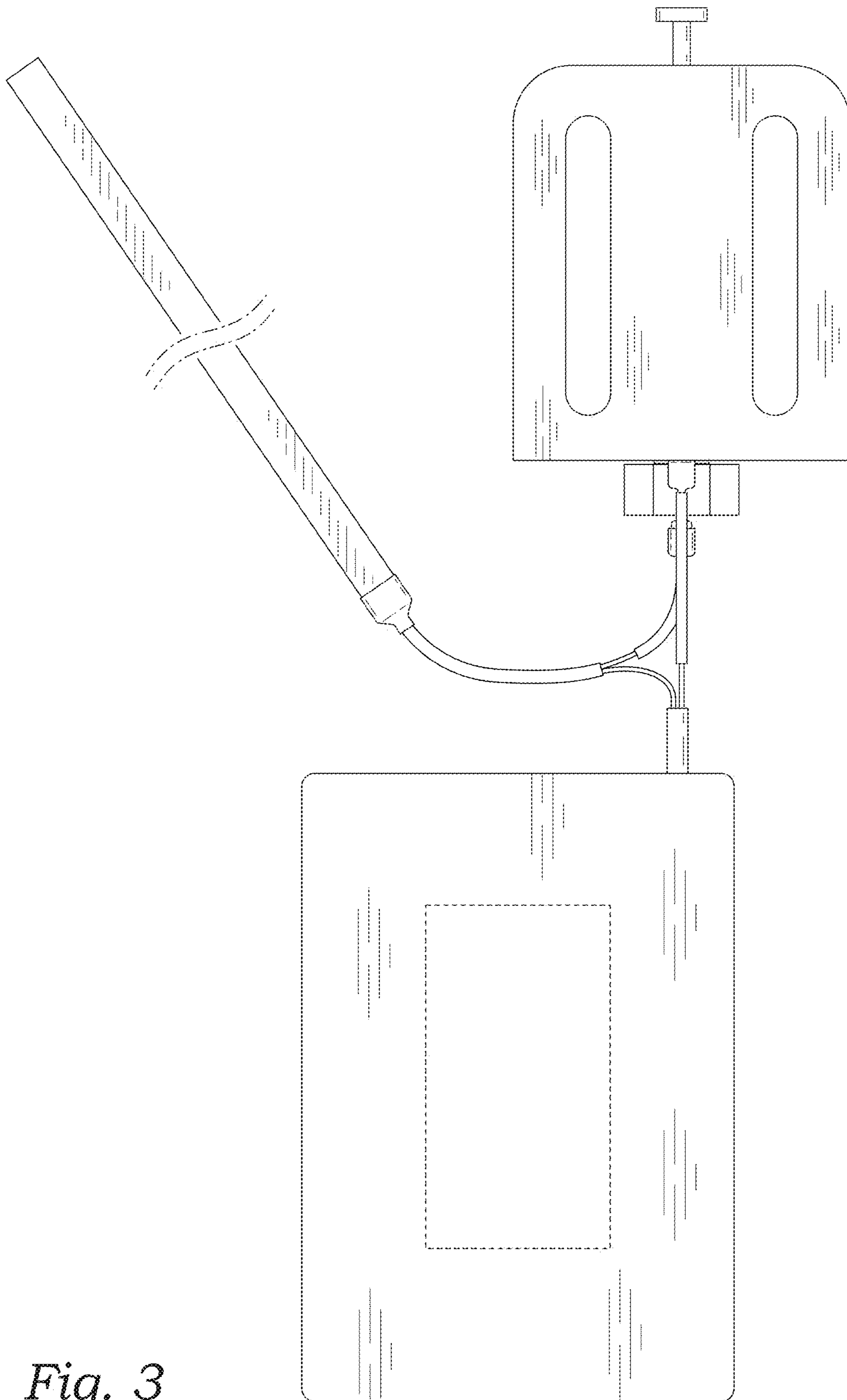


Fig. 3

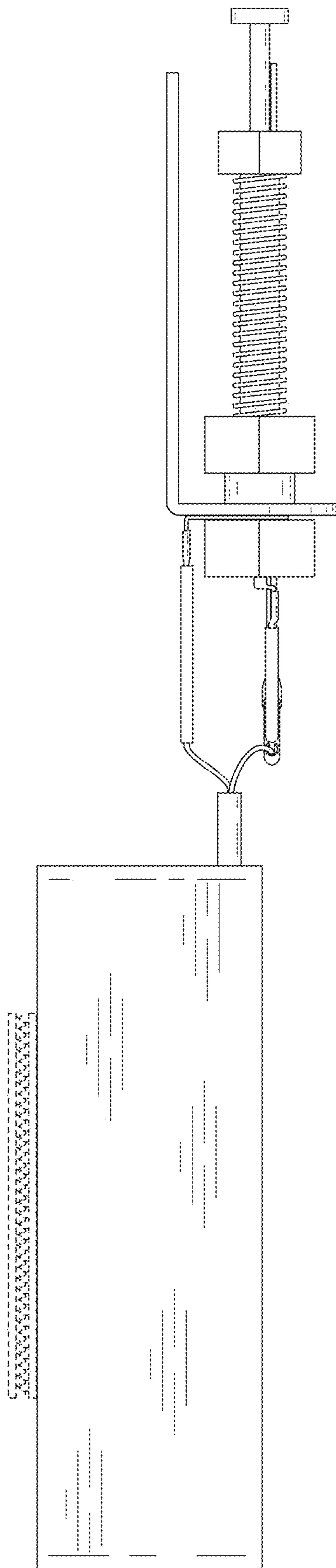


Fig. 4

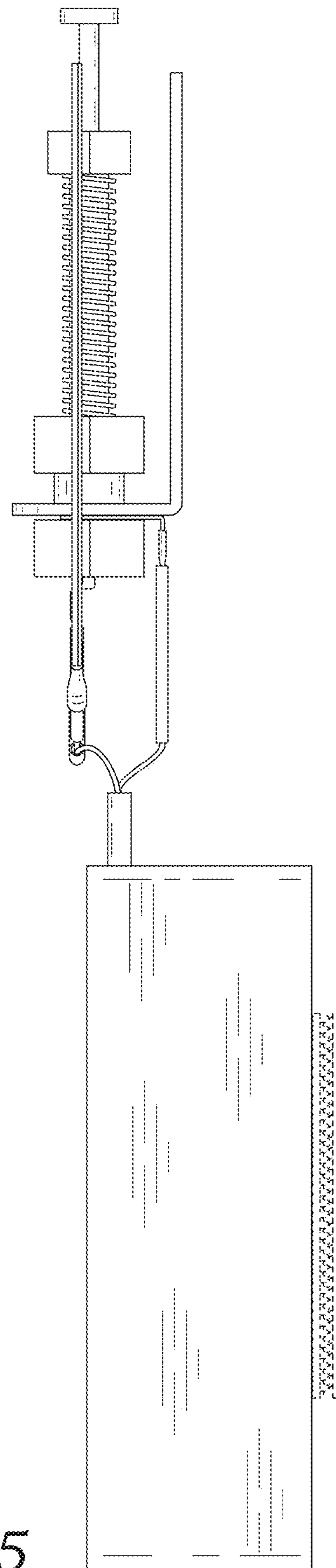


Fig. 5

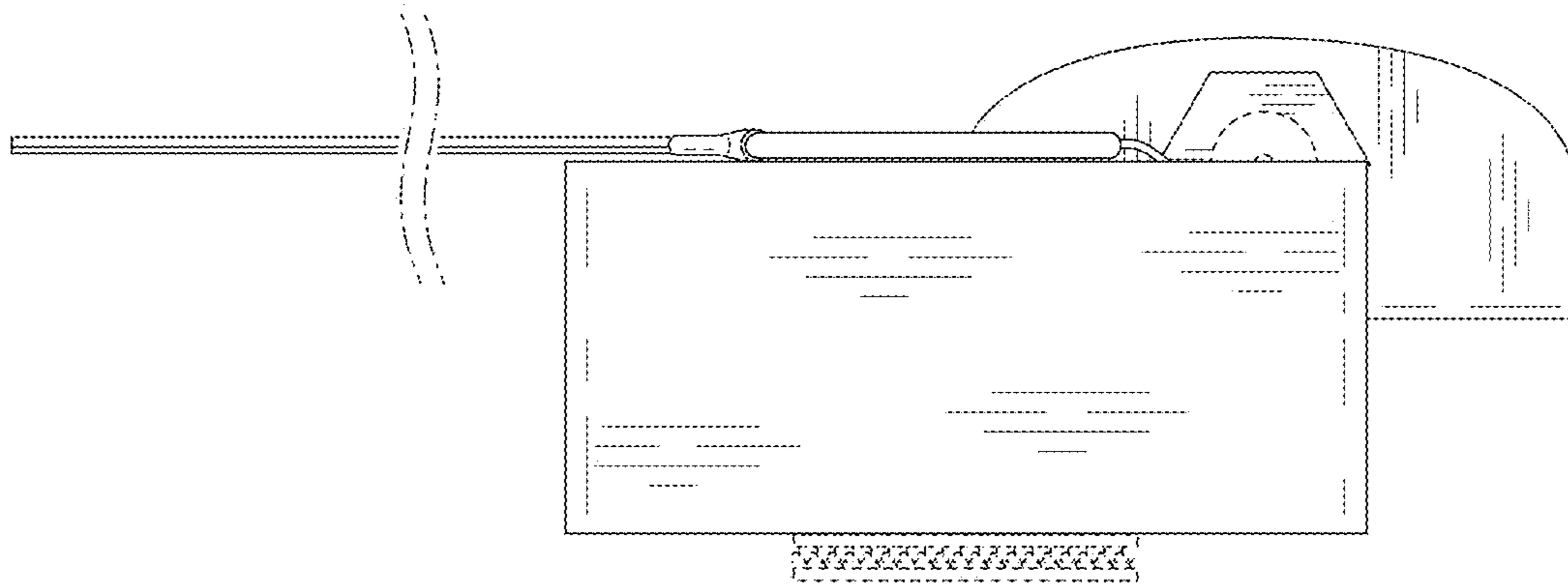


Fig. 6

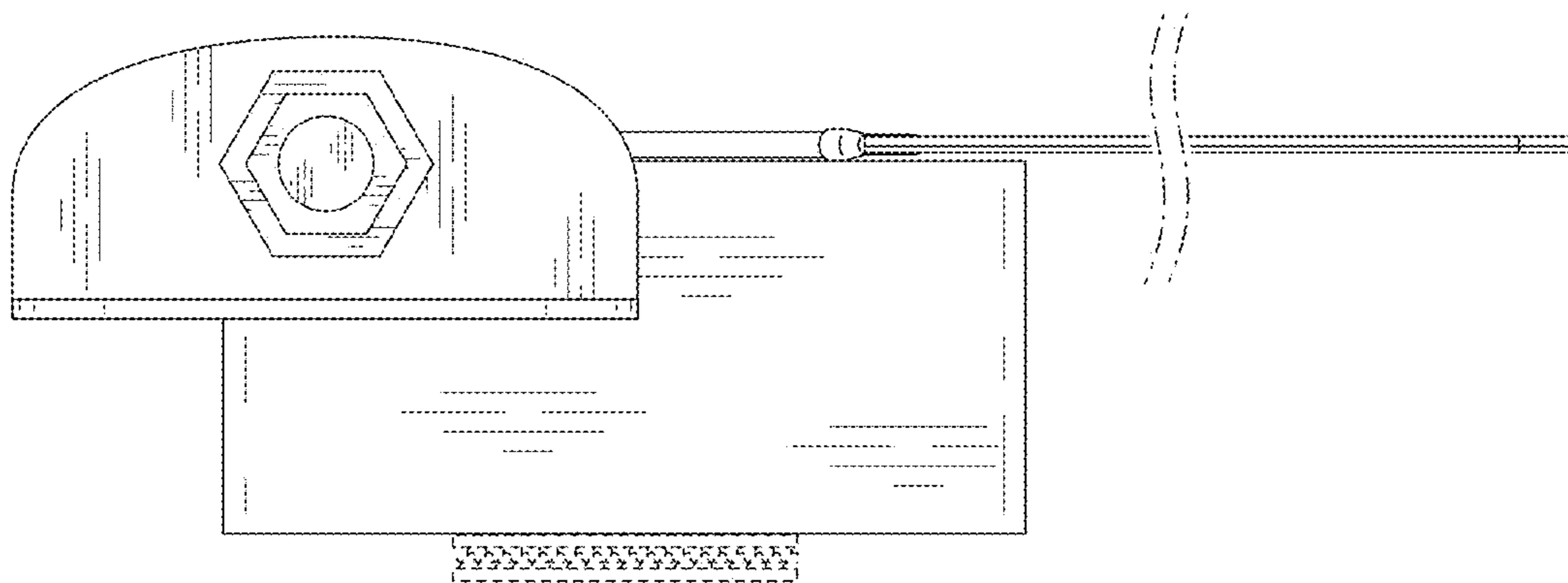


Fig. 7

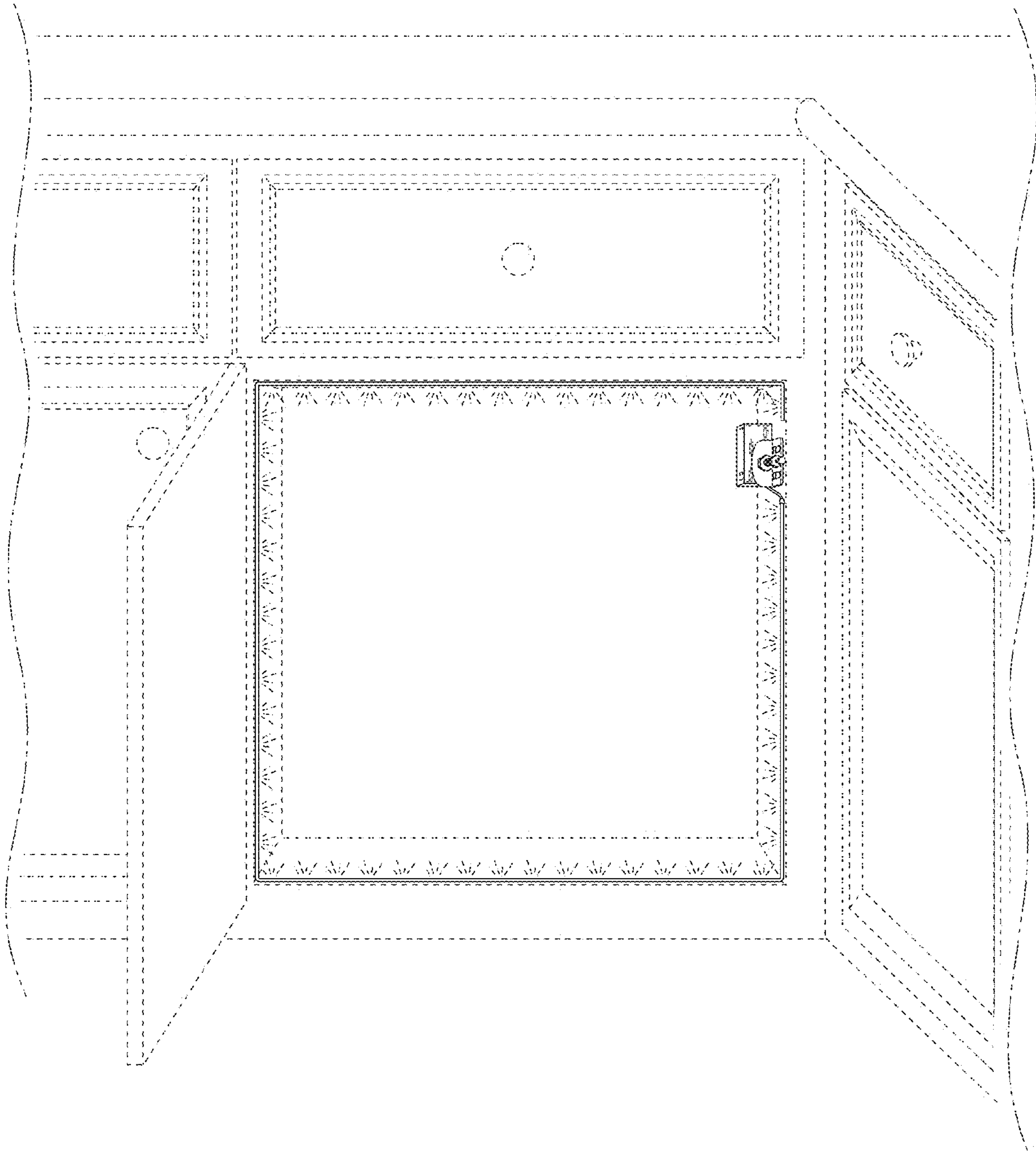


Fig. 8