



US00D987126S

(12) **United States Design Patent** (10) **Patent No.:** **US D987,126 S**
Cai (45) **Date of Patent:** **** May 23, 2023**

(54) **BULB LIGHT**
(71) Applicant: **Chengxun Cai**, Guangdong (CN)
(72) Inventor: **Chengxun Cai**, Guangdong (CN)
(73) Assignee: **Shenzhen Chuangpu Investment Co., Ltd.**, Guangdong (CN)

D528,229 S * 9/2006 Kakuno D26/2
D816,874 S * 5/2018 Lentz D26/25
D869,013 S * 12/2019 Zhu D26/25
D916,333 S * 4/2021 Liang D26/25
D950,112 S * 4/2022 Zheng D26/25
11,408,585 B1 * 8/2022 Wang F21S 4/10
362/249

(Continued)

(**) Term: **15 Years**

FOREIGN PATENT DOCUMENTS

(21) Appl. No.: **29/781,255**

CA 2502907 A1 * 9/2006 F21S 4/10
CN 107654868 A * 2/2018 F21S 4/10
CN 306827412 * 9/2021 F21S 4/10

(22) Filed: **Apr. 29, 2021**

OTHER PUBLICATIONS

(51) **LOC (14) Cl.** **26-04**

(52) **U.S. Cl.**
USPC **D26/2; D26/1; D26/3; D26/25**

“Globe Outdoor String Lights”, available in PotteryBarn.com, date first available date [oldest reference via WayBack aMachine Site is May 14, 2011], site visited Dec. 22, 2022, Available from the internet URL: <https://www.potterybarn.com/products/globe-string-lights/> (Year: 2011).*

(58) **Field of Classification Search**
USPC ... D26/1, 2, 3, 4, 24, 25, 40, 49, 50, 60, 78, D26/113
CPC F21K 9/20; F21K 9/278; F21S 4/00; F21S 4/10; F21V 23/002; F21V 23/04; F21V 23/006; F21W 2121/04; F21Y 2103/00; F21Y 2115/10; H01J 5/48; H01J 5/50; H01R 33/942; H01R 33/955; Y10S 362/806

(Continued)

See application file for complete search history.

Primary Examiner — Angela J Lee
Assistant Examiner — Anthony Vincent Rotolo

(56) **References Cited**

(57) **CLAIM**

U.S. PATENT DOCUMENTS

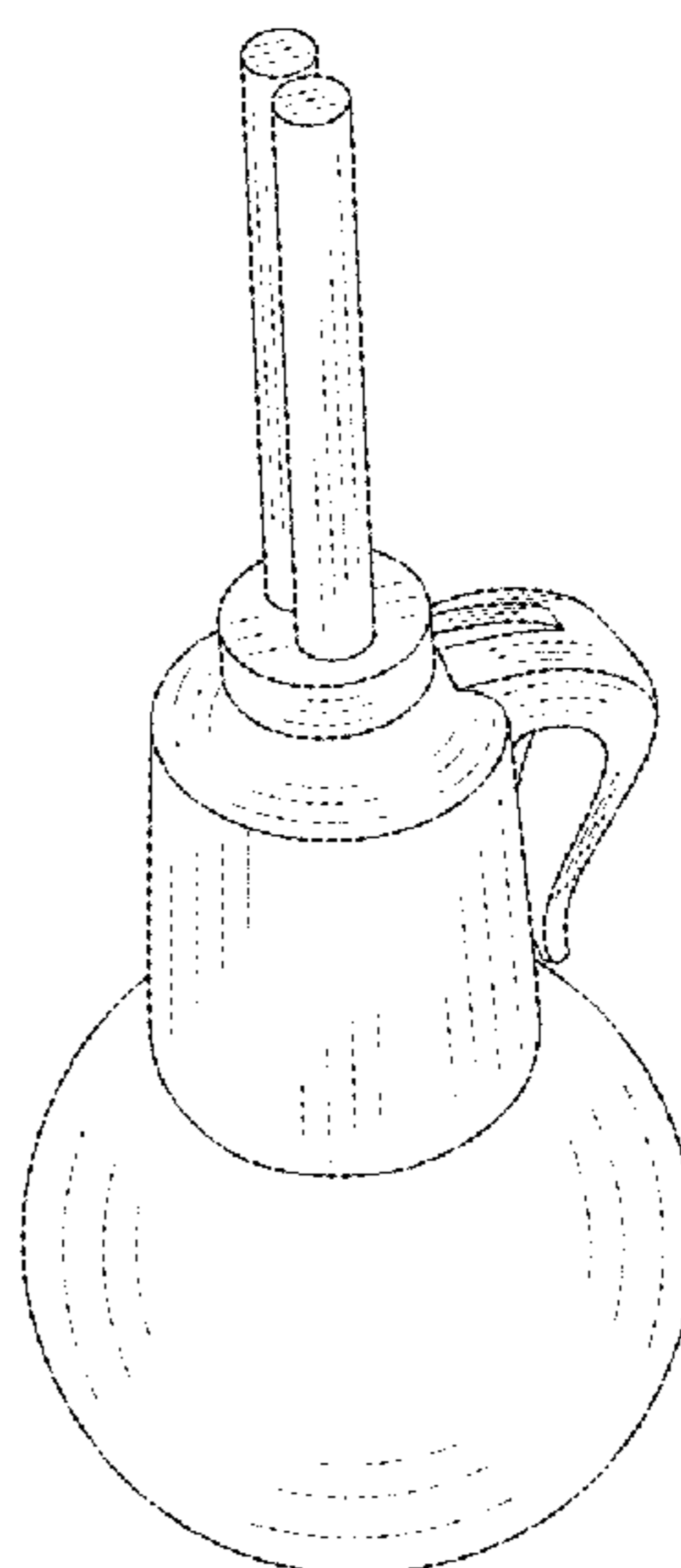
1,842,543 A * 1/1932 Polis F21S 4/10
439/615
1,911,612 A * 5/1933 Eckstein F21S 4/10
439/271
2,057,078 A * 10/1936 Abramson F21S 4/10
362/396
D280,238 S * 8/1985 Hermanson D26/2
5,649,763 A * 7/1997 Liou F21S 4/10
362/363
6,056,422 A * 5/2000 Huang F21S 4/10
362/396
D485,379 S * 1/2004 Stekelenburg D26/2

The ornamental design for a bulb light, as shown and described.

DESCRIPTION

FIG. 1 is a perspective view of a bulb light showing my new design;
FIG. 2 is a front elevation view thereof;
FIG. 3 is a rear elevation view thereof;
FIG. 4 is a left side elevation view thereof;
FIG. 5 is a right side elevation view thereof;
FIG. 6 is a top plan view thereof; and,
FIG. 7 is a bottom plan view thereof.

1 Claim, 7 Drawing Sheets



(56)

References Cited

U.S. PATENT DOCUMENTS

D968,660 S * 11/2022 Li D26/25

OTHER PUBLICATIONS

“Outdoor String Lights,100ft with 62 Dimmable G40 LED Shatterproof Clear Bulbs UL Approval Waterproof Globe String Lights”, available in Amazon.com, date first available date Oct. 13, 2020, Dec. 22, 2022, Available from the internet URL: <https://a.co/d/e8VYqJC> (Year: 2020).*

“RTTY Outdoor String Lights 150ft, G40 Led Patio Lights with 75pcs Bulbs,Waterproof Shatterproof Dimmable Globe”, available in Amazon.com, date first available date Sep. 1, 2021, Dec. 22, 2022, Available from the internet URL: <https://a.co/d/hJ0C3es> (Year: 2021).*

* cited by examiner

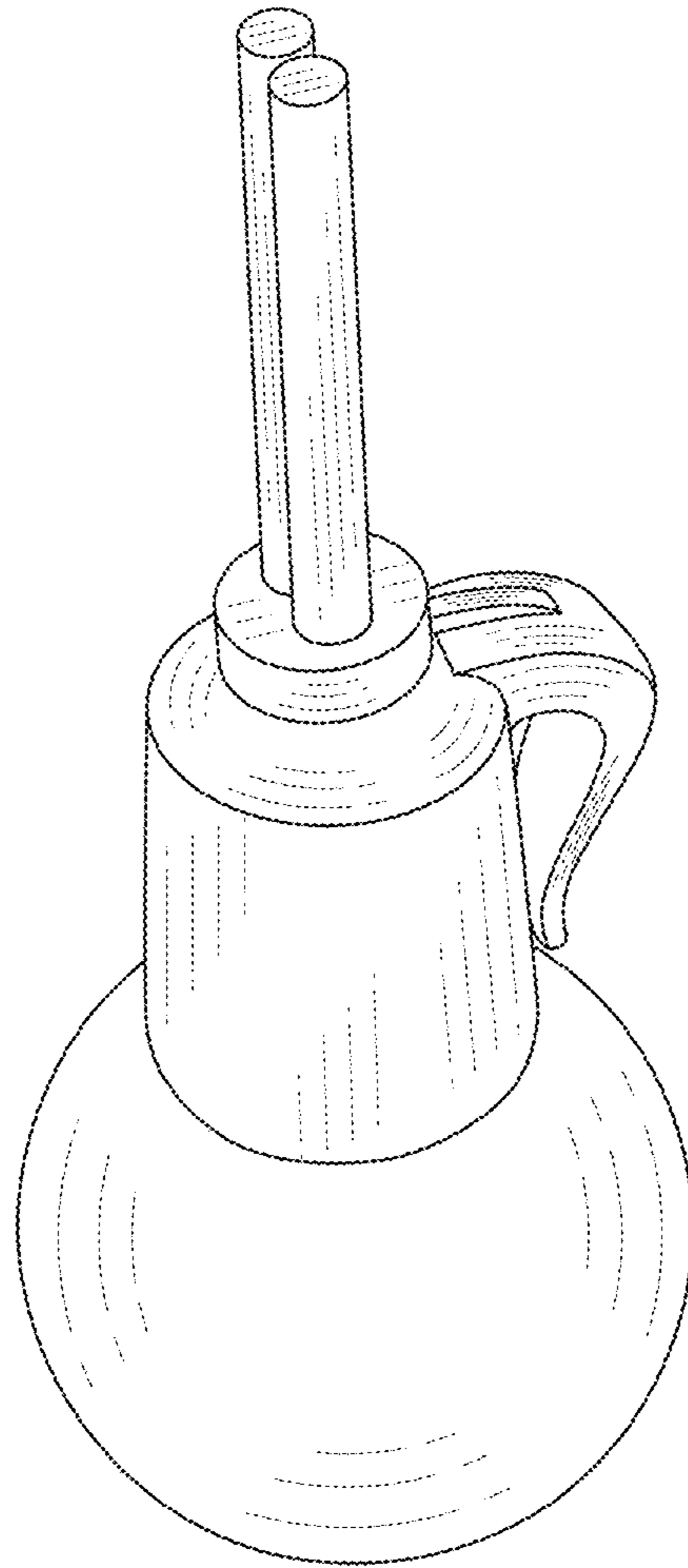


FIG. 1

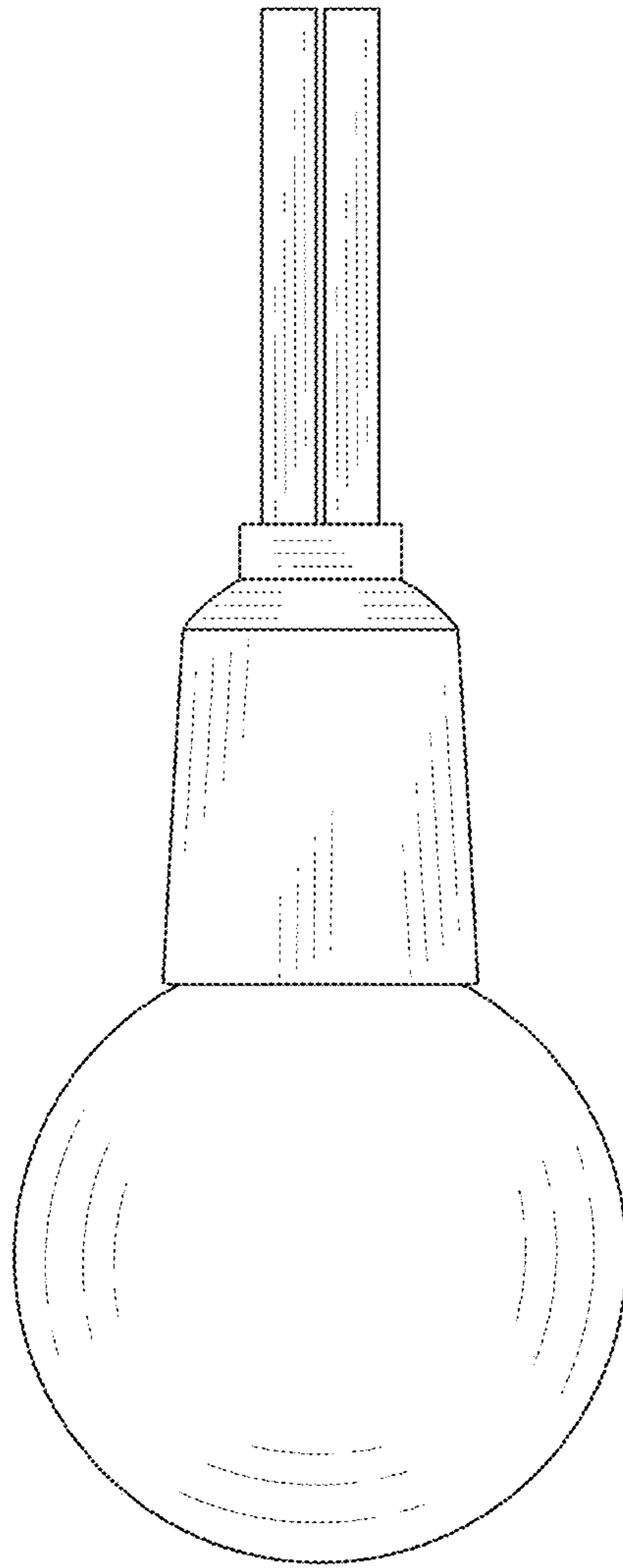


FIG. 2

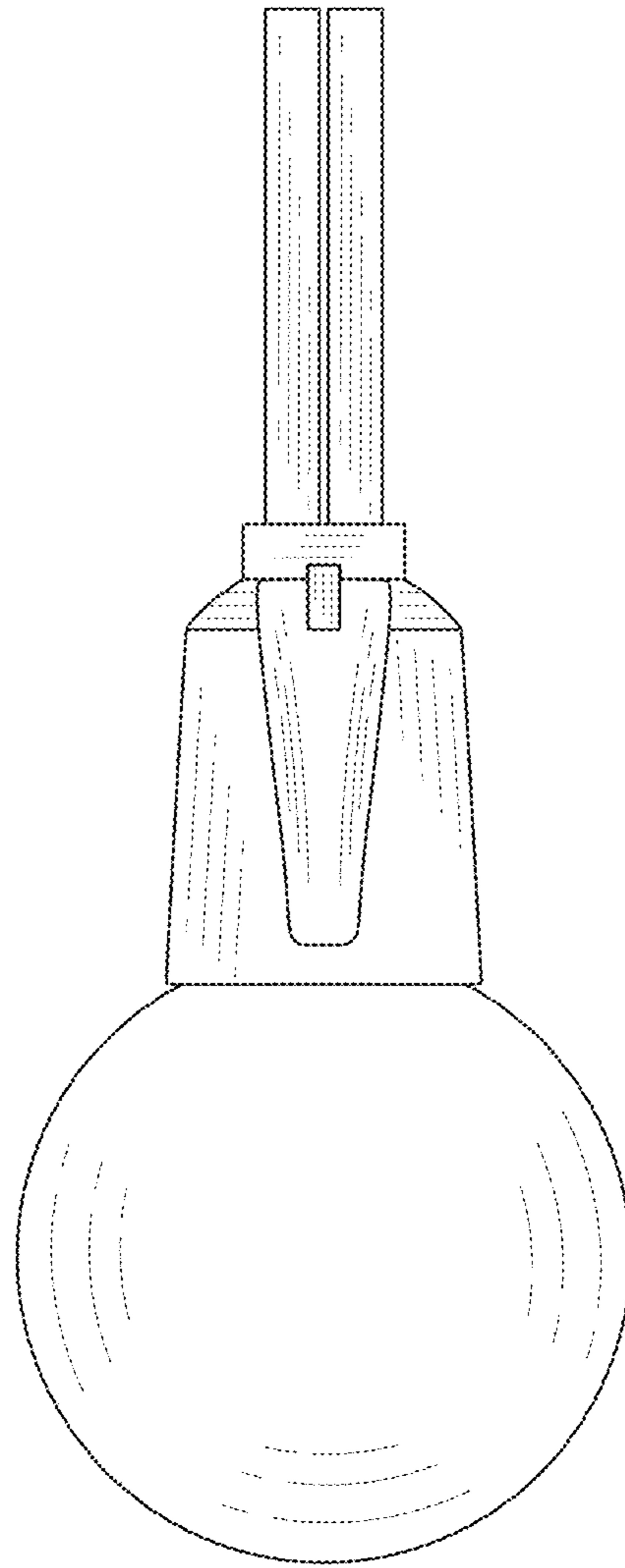


FIG. 3

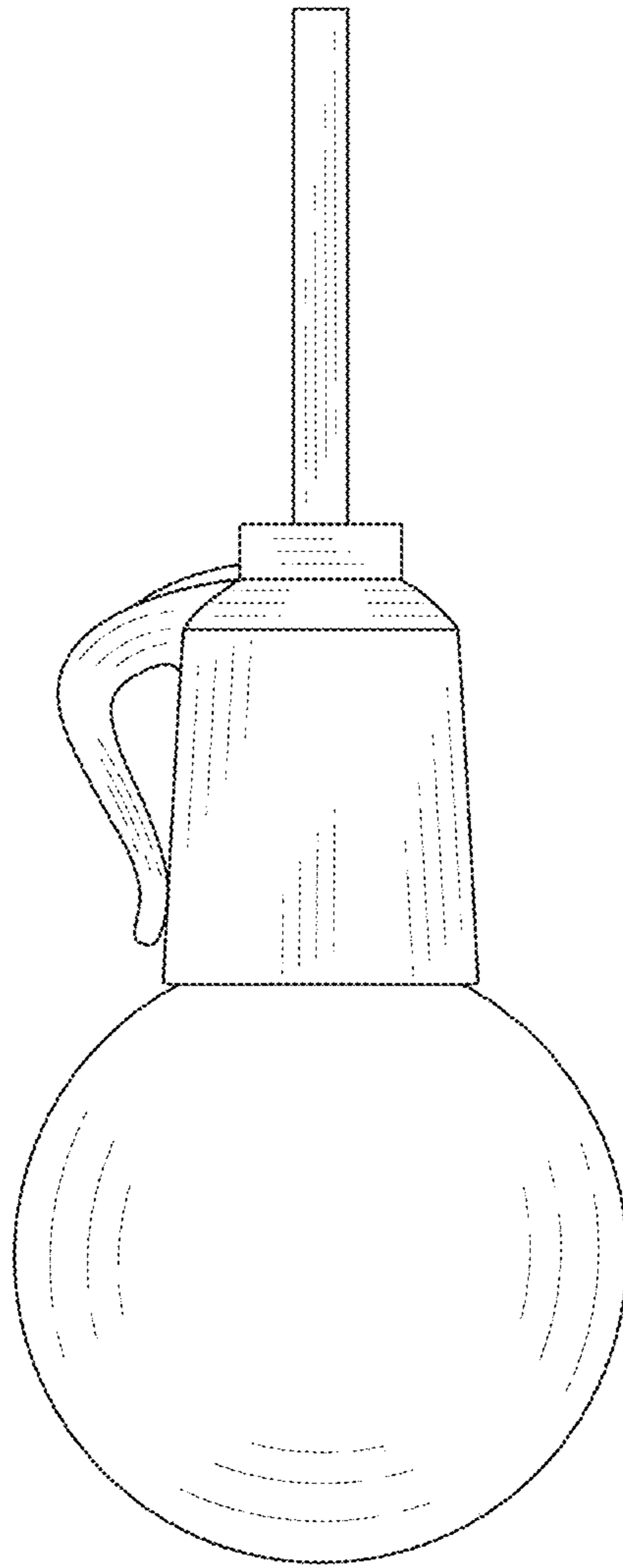


FIG. 4

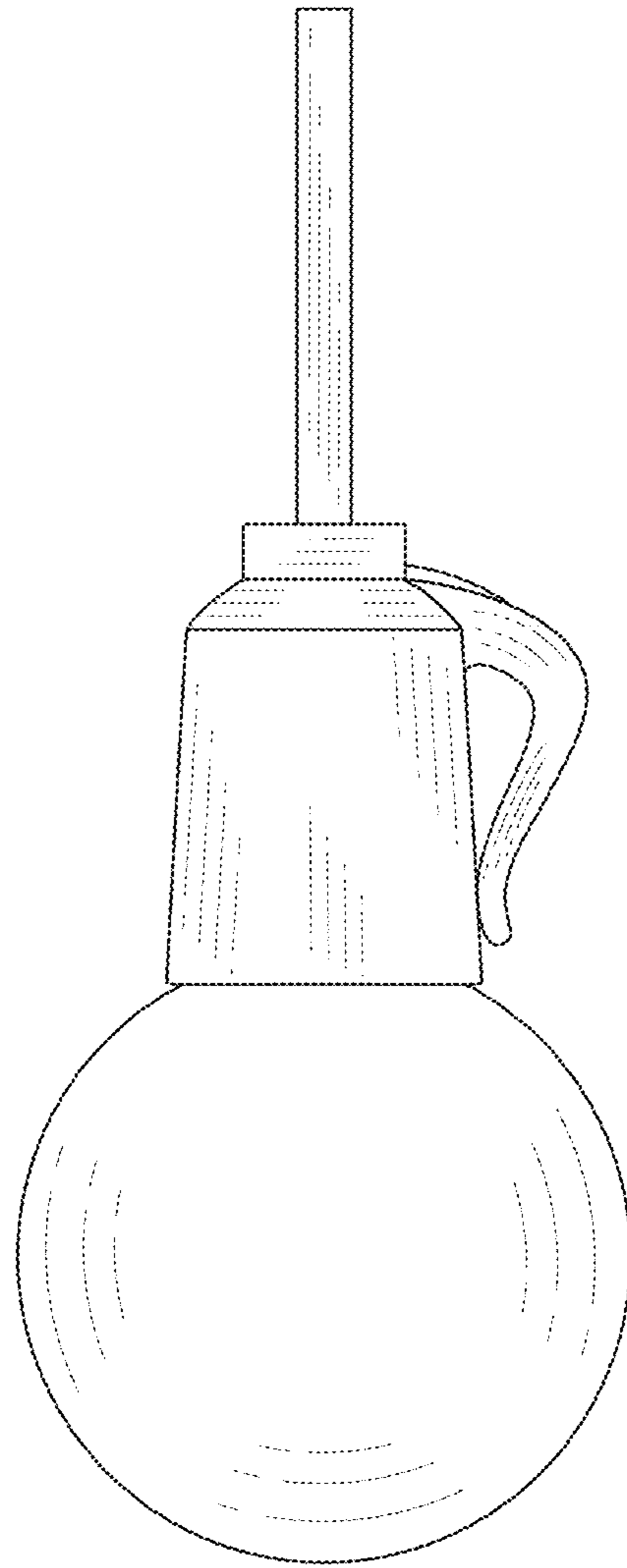


FIG. 5

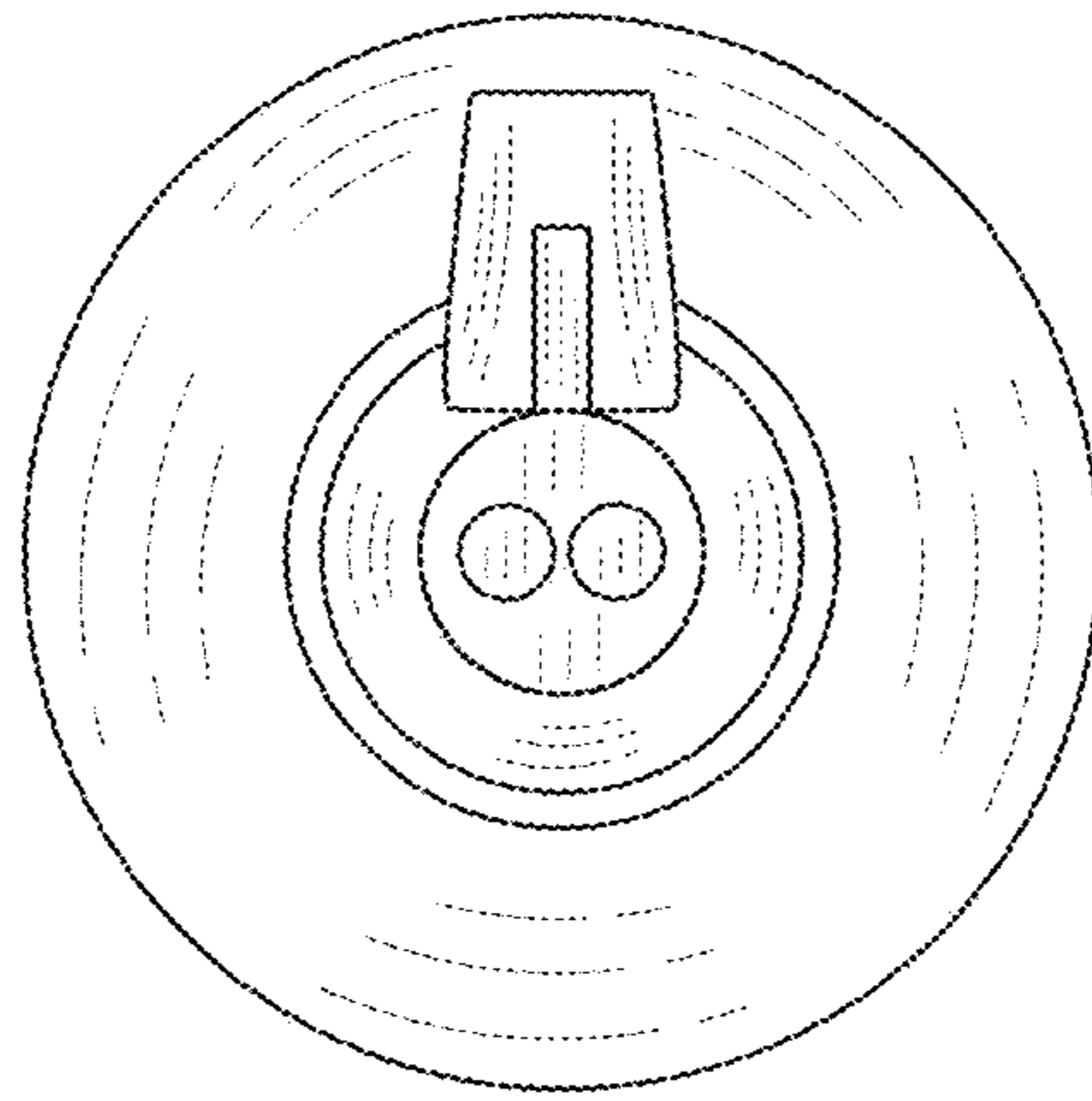


FIG. 6

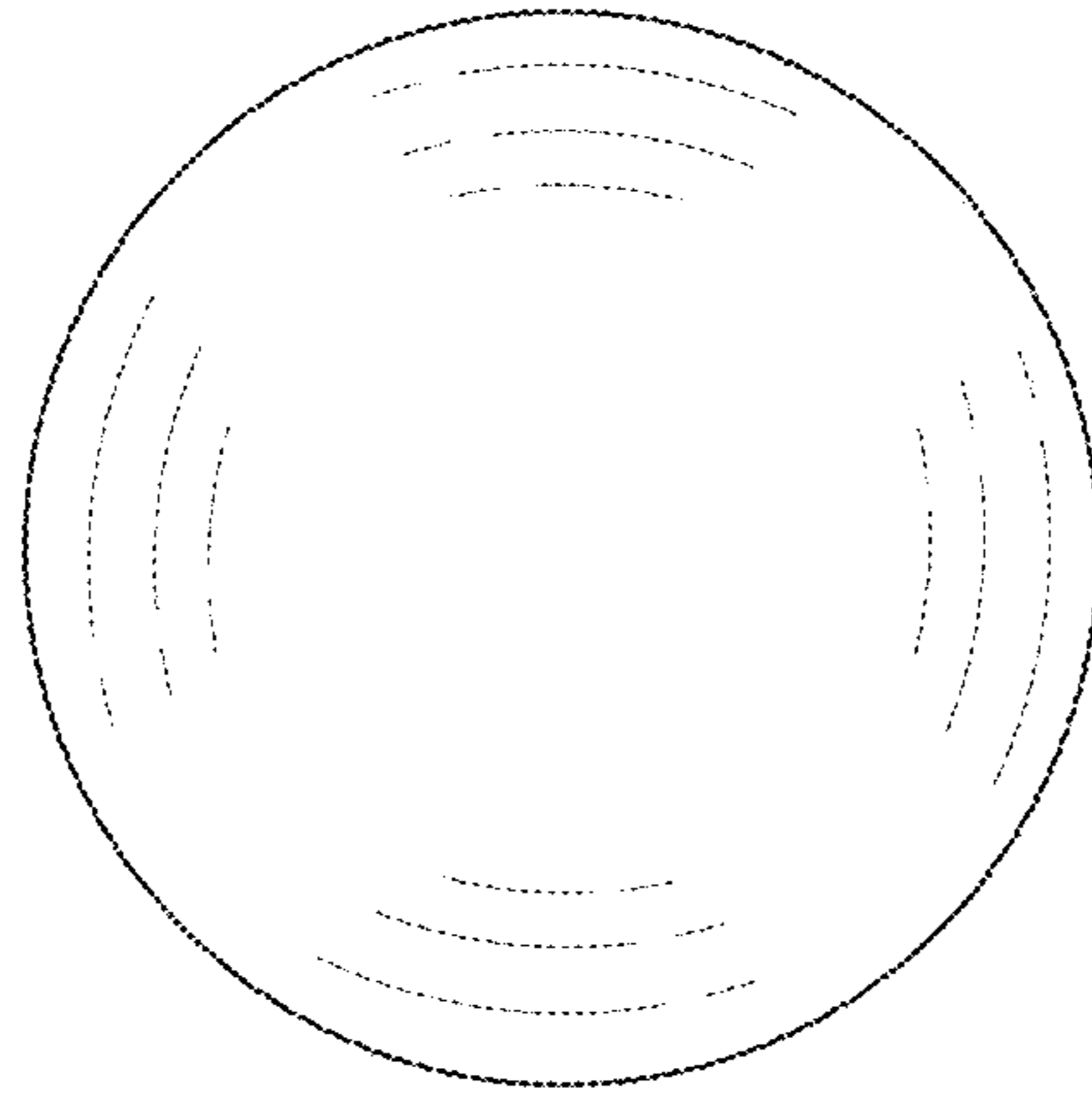


FIG. 7