



US00D987123S

(12) **United States Design Patent** (10) **Patent No.:** **US D987,123 S**
Duan (45) **Date of Patent:** **** May 23, 2023**

(54) **SEALING STRIP**

(71) Applicant: **Yongli Duan**, Inner Mongolia Autonomous Region (CN)

(72) Inventor: **Yongli Duan**, Inner Mongolia Autonomous Region (CN)

(**) Term: **15 Years**

(21) Appl. No.: **29/869,992**

(22) Filed: **Jan. 13, 2023**

Related U.S. Application Data

(62) Division of application No. 29/854,354, filed on Sep. 23, 2022.

(51) **LOC (14) Cl.** **25-02**

(52) **U.S. Cl.**
USPC **D25/48.2**

(58) **Field of Classification Search**
USPC D25/48.2, 121, 136, 164
CPC E04B 1/6803; E04B 1/6815; E04B 1/66;
E04B 1/6812; E04B 1/6813; E04F
15/02441; E04F 19/02; E04F 19/022;
E04F 19/04; E04F 19/062

See application file for complete search history.

(56) **References Cited**

U.S. PATENT DOCUMENTS

D577,445 S	9/2008	Durrant	
D745,189 S *	12/2015	Stoesser D25/48.2
9,739,050 B1 *	8/2017	Hensley E04D 13/1415
2005/0066600 A1 *	3/2005	Moulton E04B 1/6813 52/393

* cited by examiner

Primary Examiner — Doris Clark

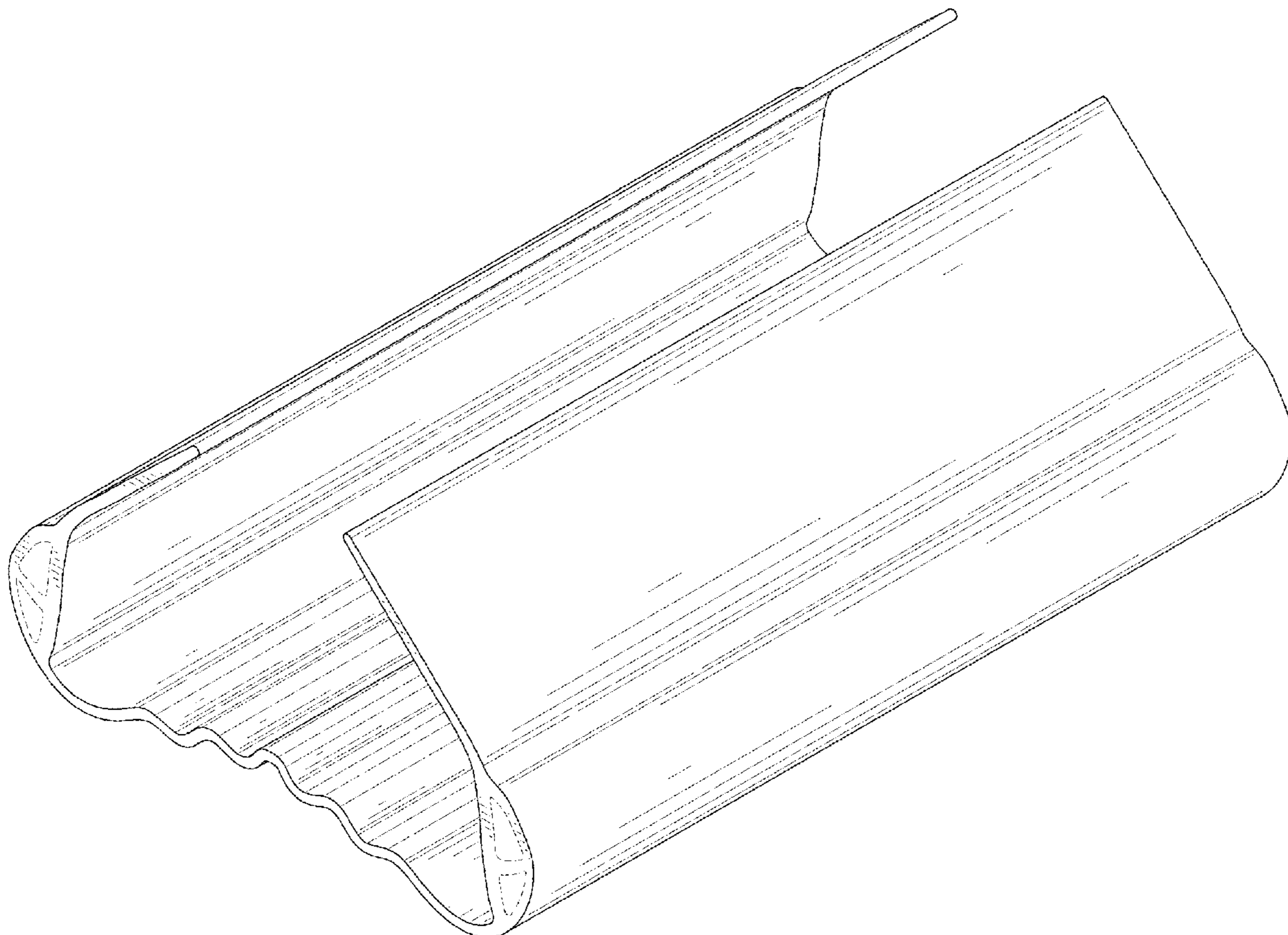
(57) **CLAIM**

The ornamental design for a sealing strip, as shown and described.

DESCRIPTION

FIG. 1 is a front and top perspective view of a sealing strip, showing my new design;
FIG. 2 is a rear and bottom perspective view thereof;
FIG. 3 is a front elevation view thereof;
FIG. 4 is a rear elevation view thereof;
FIG. 5 is a left side elevation view thereof;
FIG. 6 is a right side elevation view thereof;
FIG. 7 is a top plan view thereof; and,
FIG. 8 is a bottom plan view thereof.
The broken lines in the figures illustrate portions of the sealing strip that form no part of the claimed design.

1 Claim, 8 Drawing Sheets



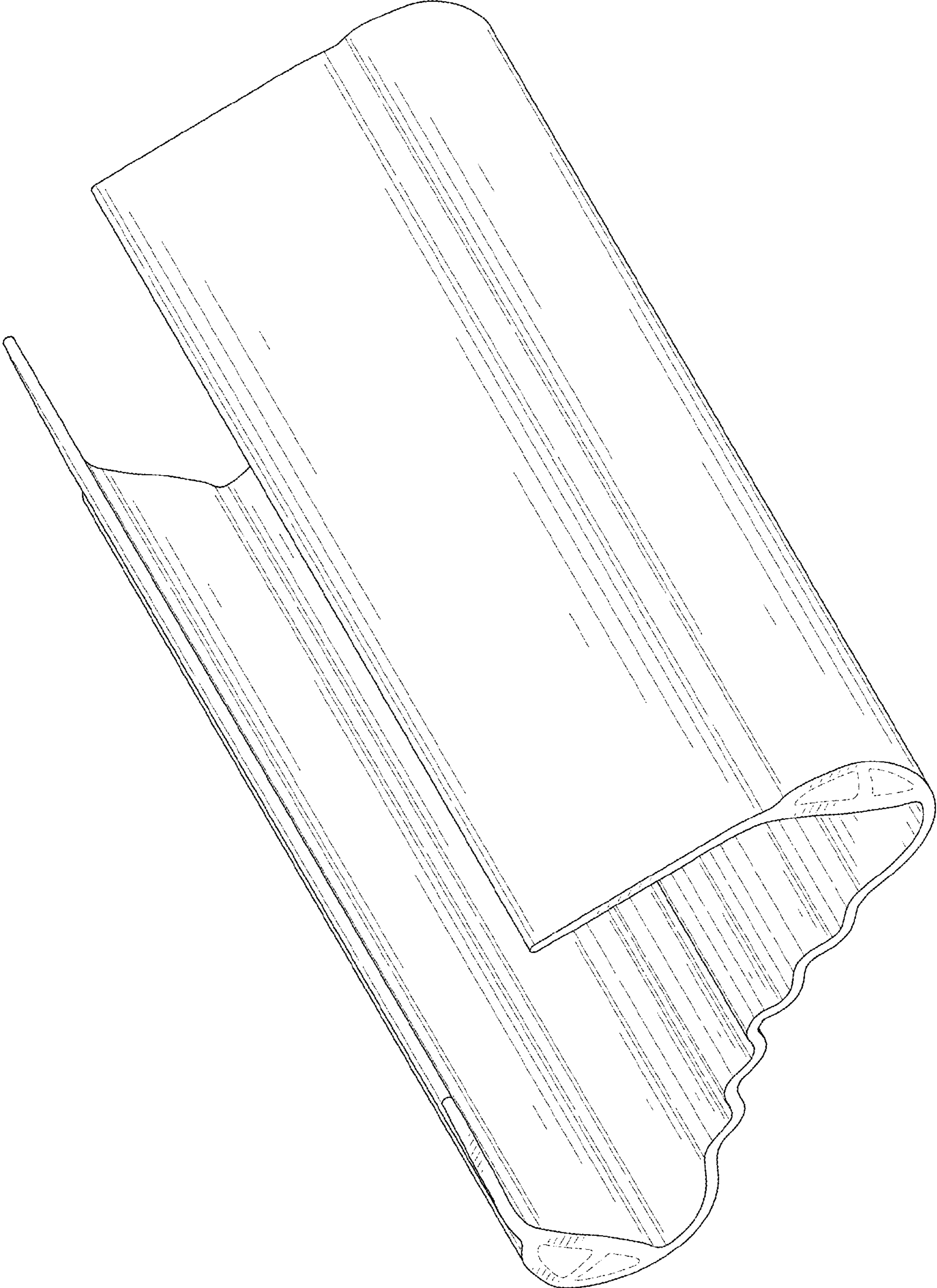


FIG. 1

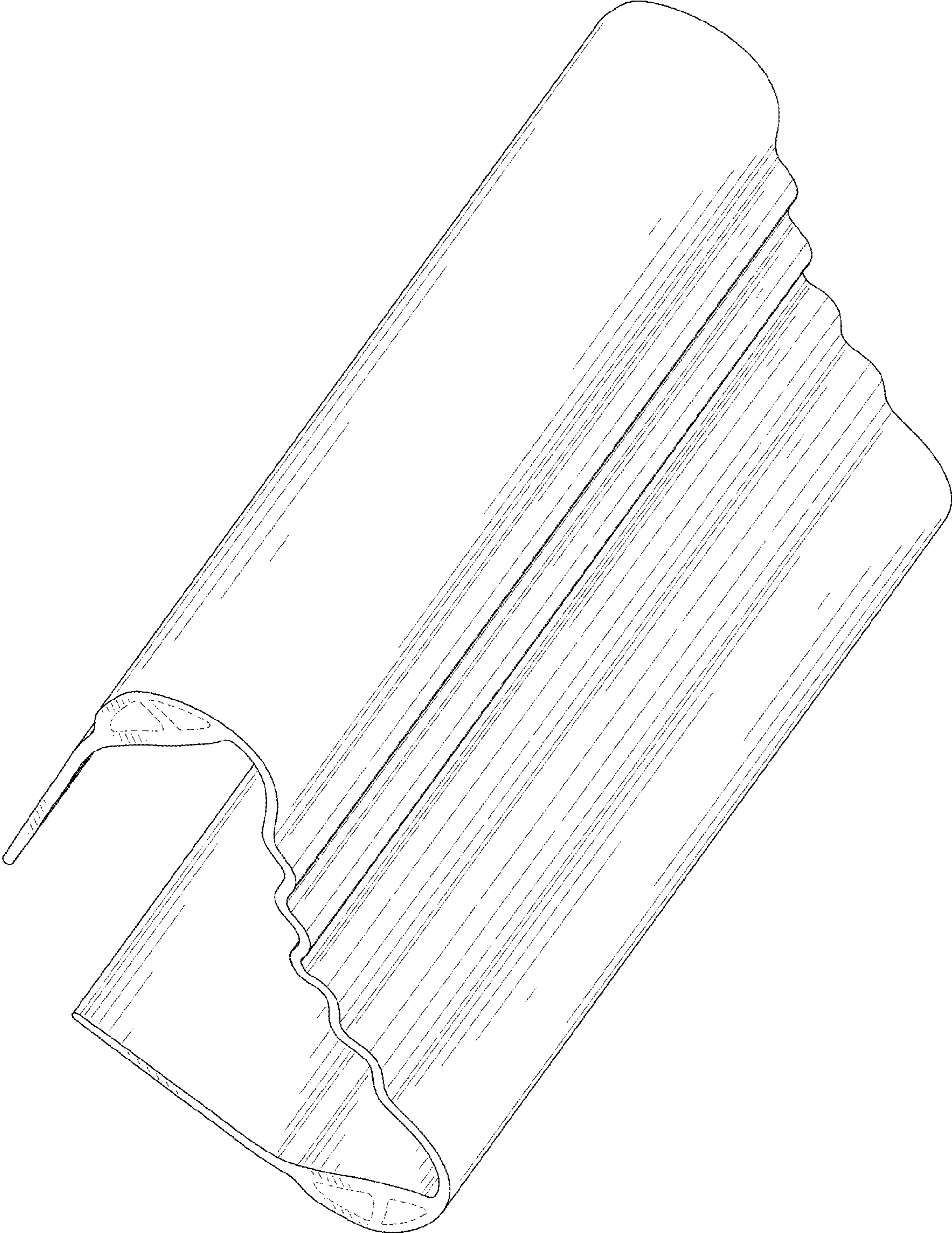


FIG. 2

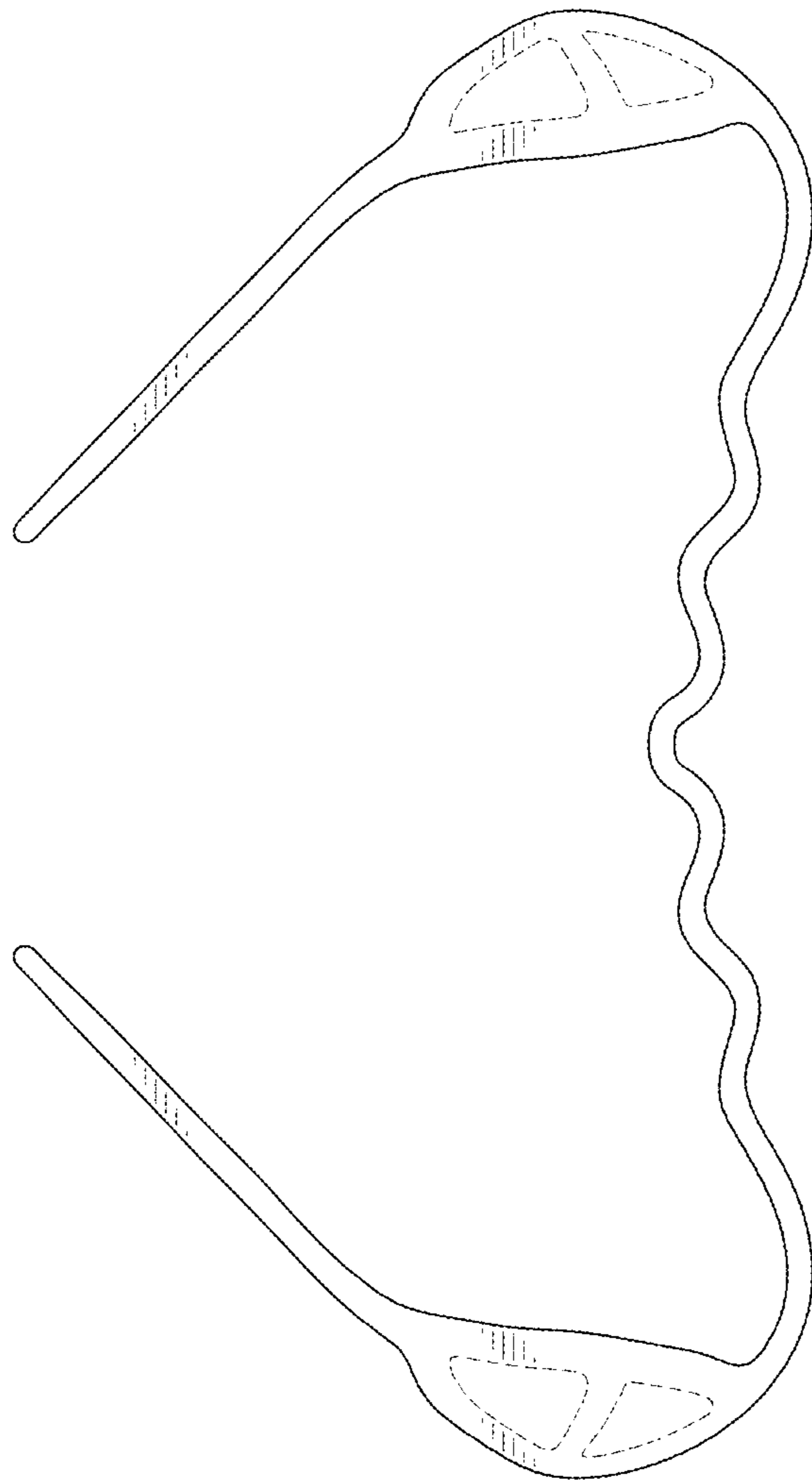


FIG. 3

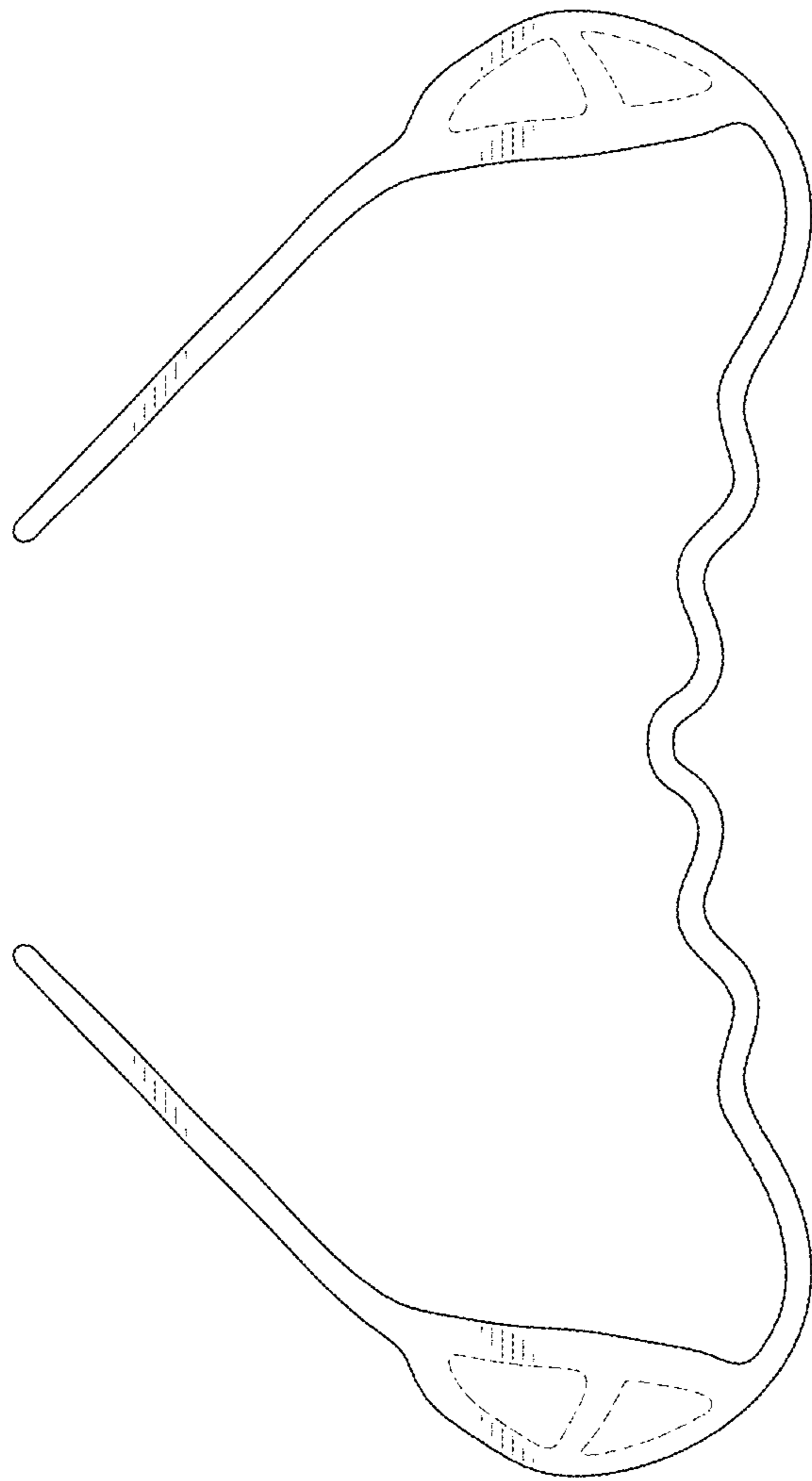


FIG. 4

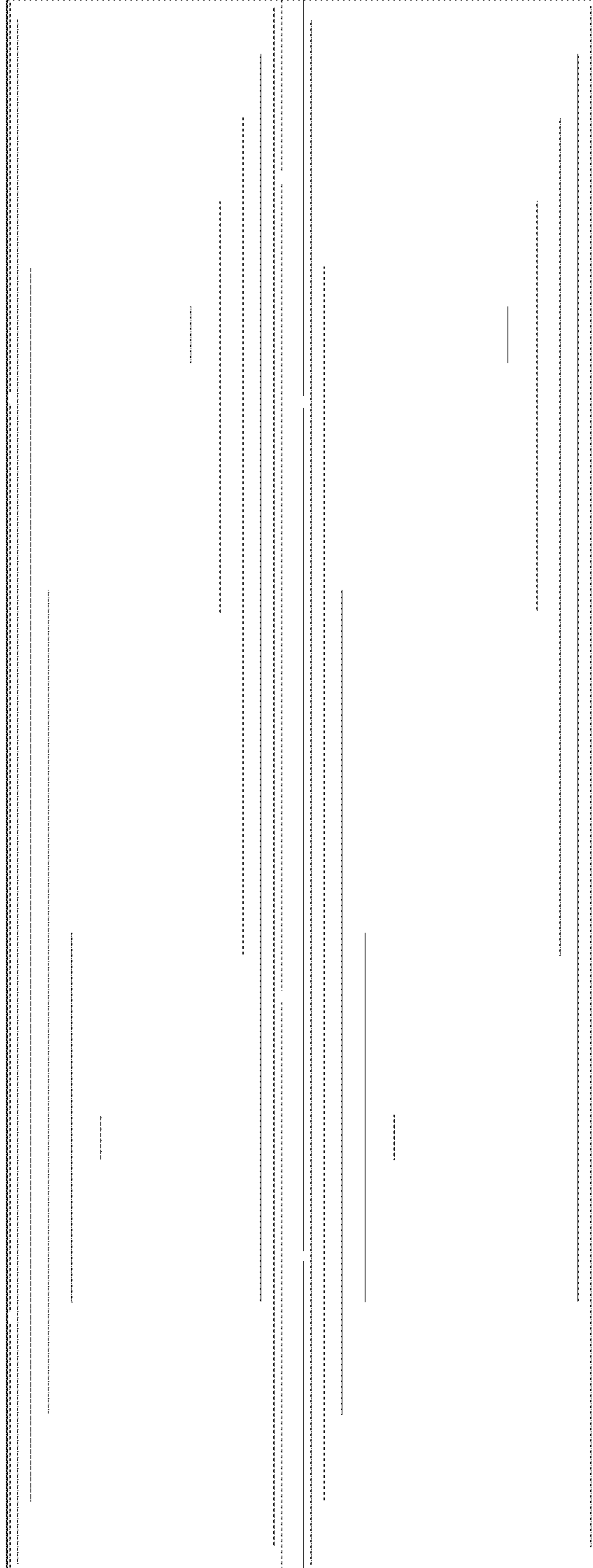


FIG. 5

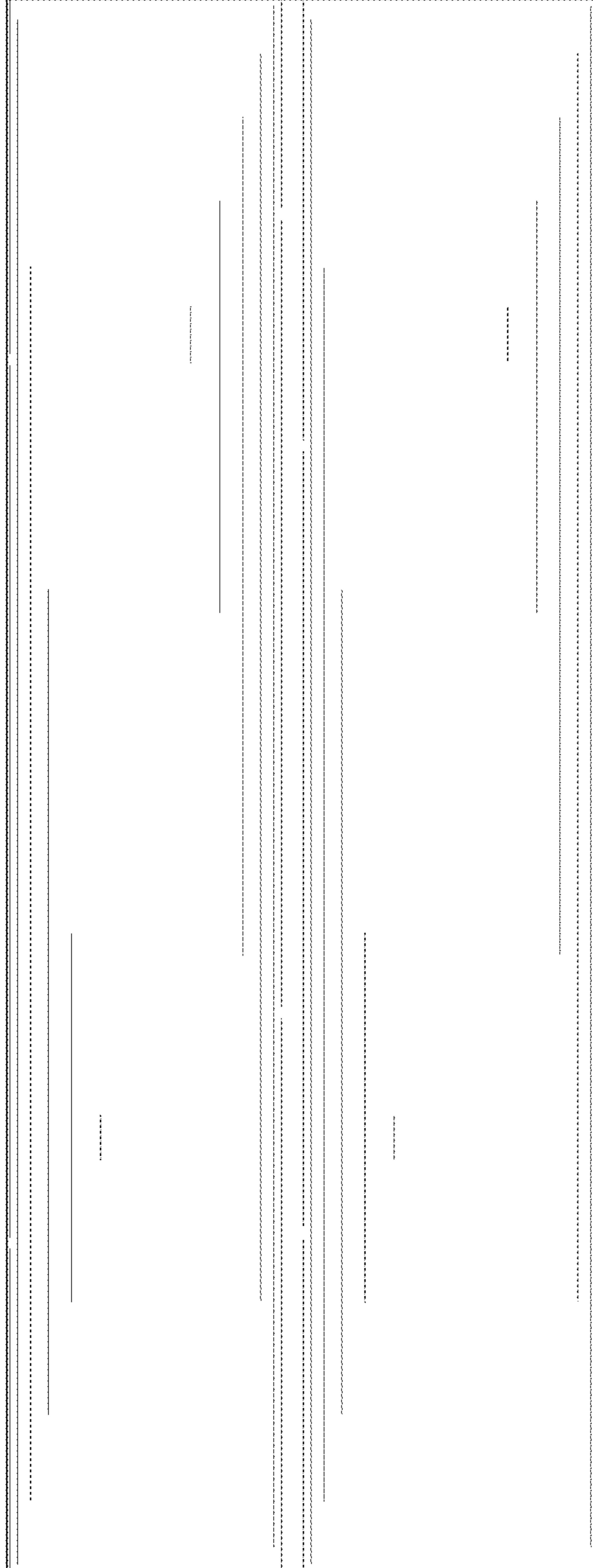


FIG. 6

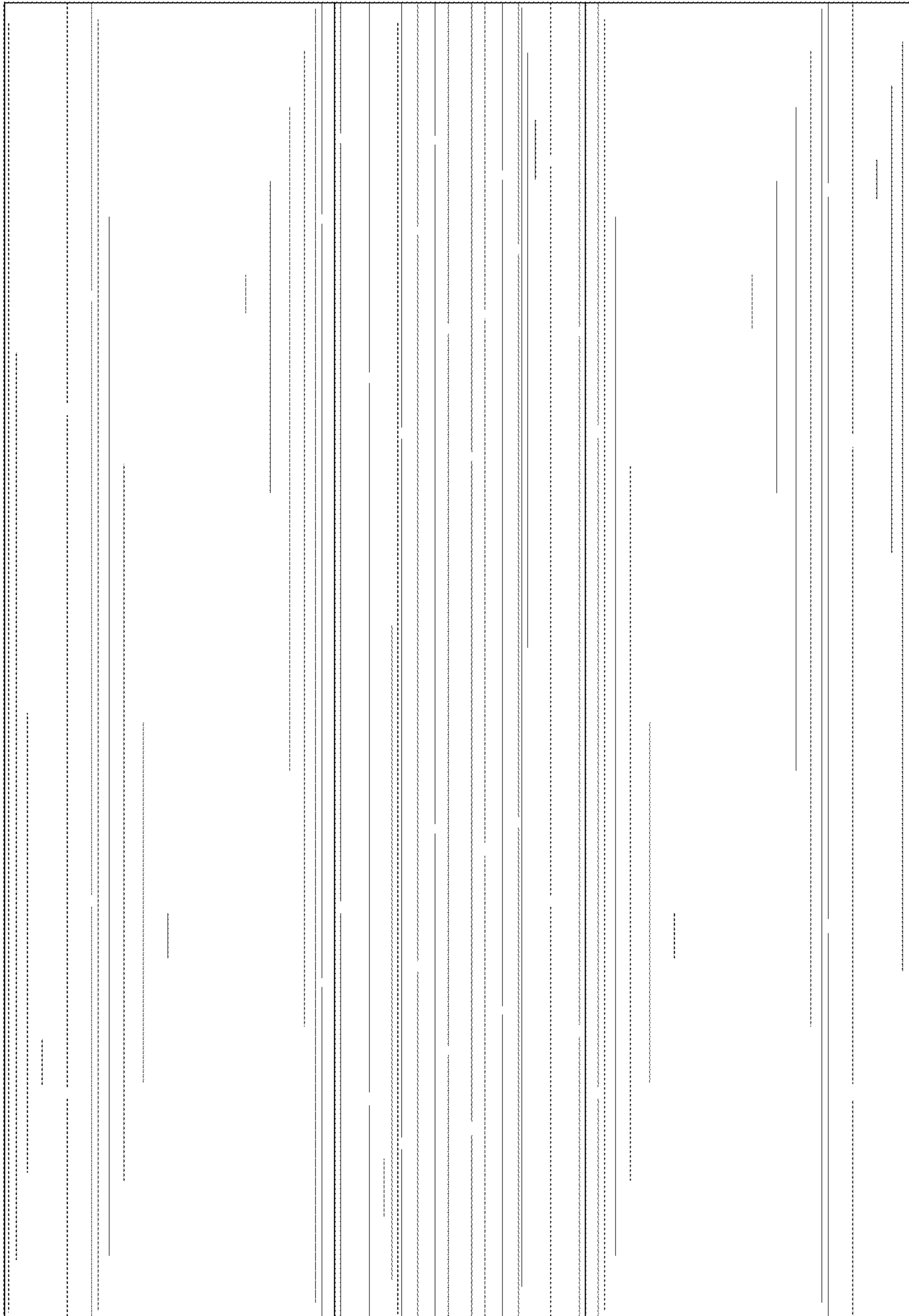


FIG. 7

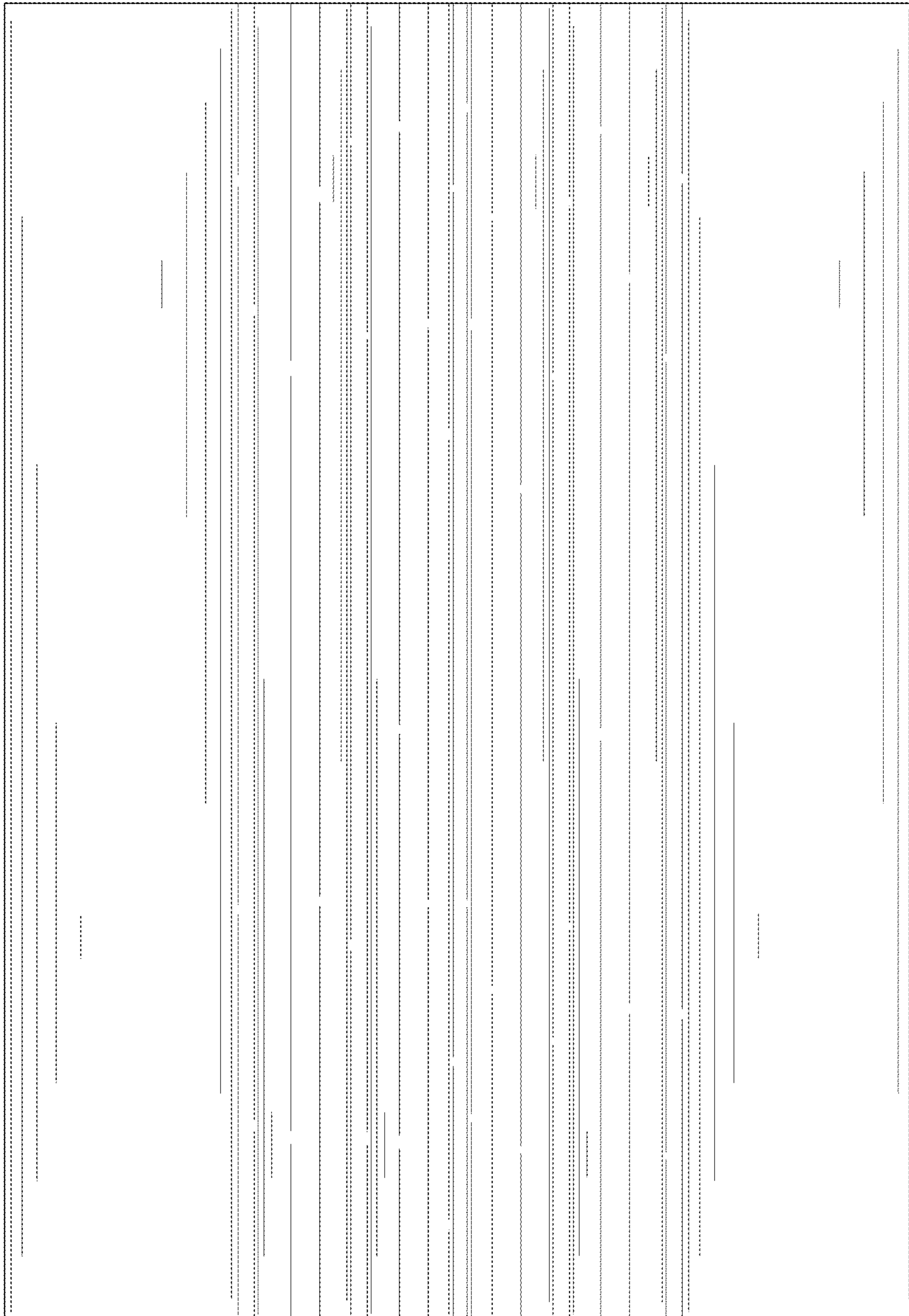


FIG. 8