



US00D987121S

(12) **United States Design Patent**
Katzmark

(10) **Patent No.:** **US D987,121 S**

(45) **Date of Patent:** **** May 23, 2023**

(54) **EXTRUSION**

(71) Applicant: **PMK Products, LLC**, North Haven,
CT (US)

(72) Inventor: **Michael J. Katzmark**, Bethany, CT
(US)

(73) Assignee: **PMK PRODUCTS, LLC**, North
Haven, CT (US)

(**) Term: **15 Years**

(21) Appl. No.: **29/779,839**

(22) Filed: **Apr. 21, 2021**

(51) **LOC (14) Cl.** **25-01**

(52) **U.S. Cl.**
USPC **D25/119**

(58) **Field of Classification Search**
USPC D25/119-125
CPC B21C 23/00; E04C 2003/0417; E04C
2003/0465; E04C 2003/0473; E04C
2003/0439; E04C 2003/0452; E04C 3/00;
E04C 3/04; E04C 3/28; E06B 2009/543;
E06B 3/30; E06B 3/305; E06B 3/306;
E06B 9/52

See application file for complete search history.

(56) **References Cited**

U.S. PATENT DOCUMENTS

- 3,686,805 A * 8/1972 Pofferi E04F 13/081
52/64
- D296,135 S * 6/1988 Dreiling D25/136
- 5,031,083 A * 7/1991 Claesson F21S 4/20
362/225
- D345,427 S * 3/1994 Moss D25/119
- D356,283 S * 3/1995 Christensen D12/223
- D420,149 S * 2/2000 Hersh D25/119
- 6,405,504 B1 * 6/2002 Richardson E06B 1/6007
52/843

- D485,373 S * 1/2004 Morton B29C 48/12
D25/138
- D606,211 S * 12/2009 Frobosilo D25/121
- D610,267 S * 2/2010 Grice D25/55
- D618,365 S * 6/2010 Crane D25/121
- D620,618 S * 7/2010 Teffenhart, Jr. D25/123
- D620,619 S * 7/2010 Teffenhart, Jr. E04C 3/06
D25/123
- D621,073 S * 8/2010 Bergmann D25/122

(Continued)

Primary Examiner — T Chase Nelson

Assistant Examiner — Sydney Margaret Parsley

(74) *Attorney, Agent, or Firm* — Ware, Fressola, Maguire
& Barber LLP

(57) **CLAIM**

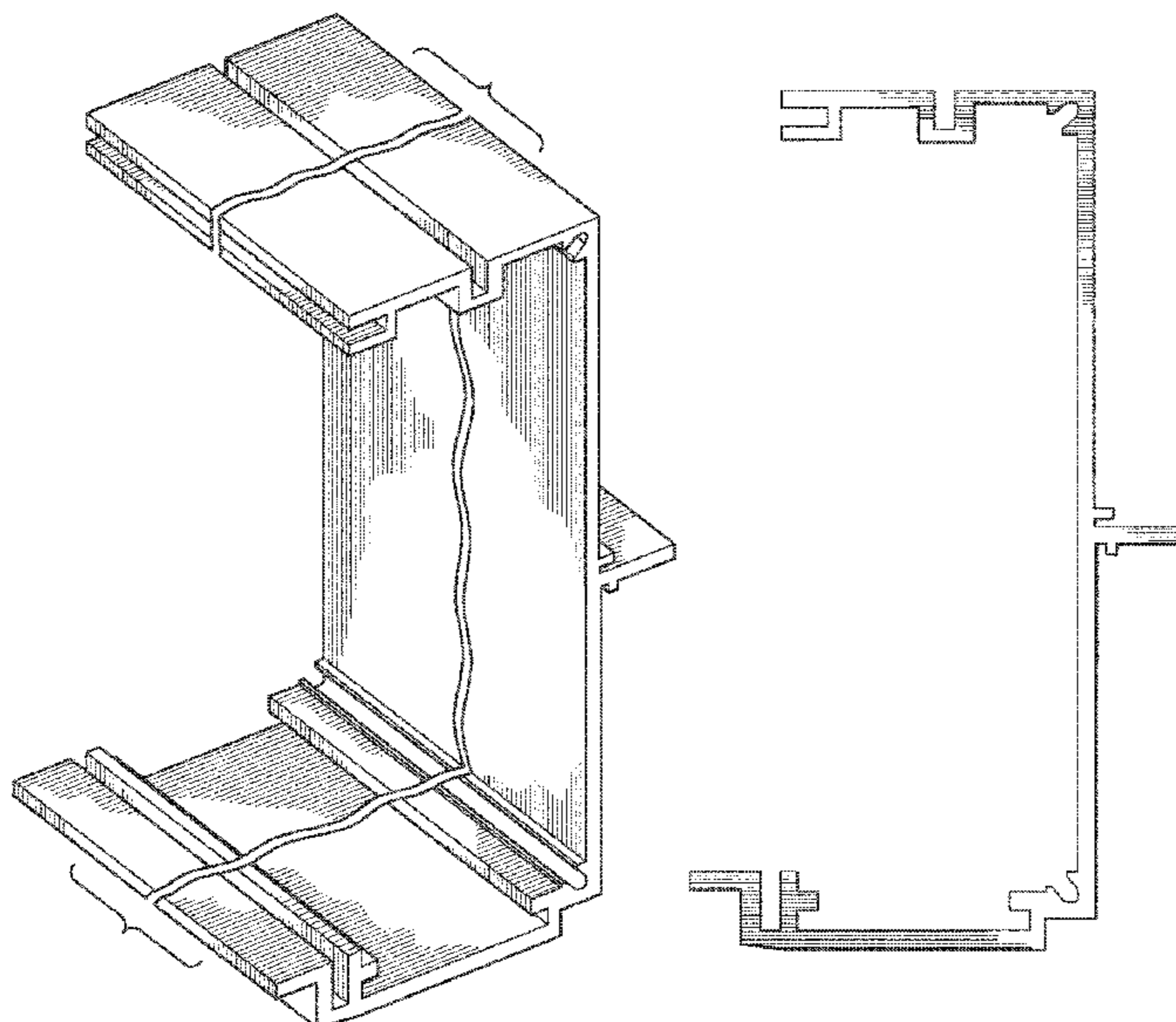
I claim the ornamental design for an extrusion, as shown and
described.

DESCRIPTION

FIG. 1 is a front right perspective view of a first embodiment
of an extrusion showing my new design;
FIG. 2 is a front view thereof;
FIG. 3 is a rear view thereof;
FIG. 4 is a right side view thereof;
FIG. 5 is a left side view thereof;
FIG. 6 is a top view thereof;
FIG. 7 is a bottom view thereof;
FIG. 8 is a front right perspective view of a second embodi-
ment of the extrusion showing my new design;
FIG. 9 is a right side view thereof;
FIG. 10 is a left side view thereof;
FIG. 11 is a front view thereof;
FIG. 12 is a rear view thereof;
FIG. 13 is a top view thereof; and,
FIG. 14 is a bottom view thereof.

The extrusion is shown with a symbolic break in its length.
The appearance of any portion of the extrusion between the
wavy break lines forms no part of the claimed design.

1 Claim, 12 Drawing Sheets



(56)

References Cited

U.S. PATENT DOCUMENTS

D621,964 S * 8/2010 Zadeh E04B 2/767
 D25/121
 D647,634 S * 10/2011 Pensi D25/124
 D653,773 S * 2/2012 Sutton D25/121
 D659,854 S * 5/2012 Kligman D25/136
 D660,544 S * 5/2012 Onayama D25/119
 D670,474 S * 11/2012 Koch B66C 7/02
 D34/35
 D709,629 S * 7/2014 Rice D25/125
 D724,240 S * 3/2015 Ross D25/135
 D724,256 S * 3/2015 Klus D26/141
 D767,166 S * 9/2016 Sparks D25/121
 D772,429 S * 11/2016 Bergmann D25/60
 D780,945 S * 3/2017 Guillemi D25/119
 D835,300 S * 12/2018 Barrios E04B 2/60
 D25/119
 D869,076 S * 12/2019 Trzcielinski D26/138
 D872,908 S * 1/2020 Johnston D23/386
 D872,931 S * 1/2020 Tremaine D25/119
 D874,025 S * 1/2020 Kittur D6/702
 D875,299 S * 2/2020 Trzcielinski D26/138
 D891,688 S * 7/2020 Tremaine E04B 2/76
 D26/138
 D904,218 S * 12/2020 Kousik A47B 88/40
 D24/186

D906,582 S * 12/2020 Trzcielinski E04C 3/28
 D26/138
 D909,842 S * 2/2021 Kukucka B29C 48/12
 D3/312
 D923,464 S * 6/2021 Murphy D8/381
 D931,521 S * 9/2021 Trzesniowski D26/141
 D935,059 S * 11/2021 Bilge D25/121
 D935,060 S * 11/2021 Bilge F21S 4/20
 D25/121
 D955,001 S * 6/2022 Reid D25/121
 D959,239 S * 8/2022 Johnson E04F 13/081
 D8/354
 2006/0028104 A1 * 2/2006 Tseng A47B 88/40
 312/334.44
 2007/0137134 A1 * 6/2007 Plagemann E04C 3/28
 52/656.9
 2009/0049781 A1 * 2/2009 Pilz E04B 2/76
 52/481.1
 2010/0186346 A1 * 7/2010 Bratton E04B 1/28
 403/205
 2013/0058089 A1 * 3/2013 Chang E04B 5/02
 362/249.02
 2016/0215494 A1 * 7/2016 Pilz E04B 1/944
 2016/0341229 A1 * 11/2016 Ou A47B 96/1466
 2019/0316348 A1 * 10/2019 Pilz E04C 3/29
 2021/0062568 A1 * 3/2021 Johnson E06B 3/4654

* cited by examiner

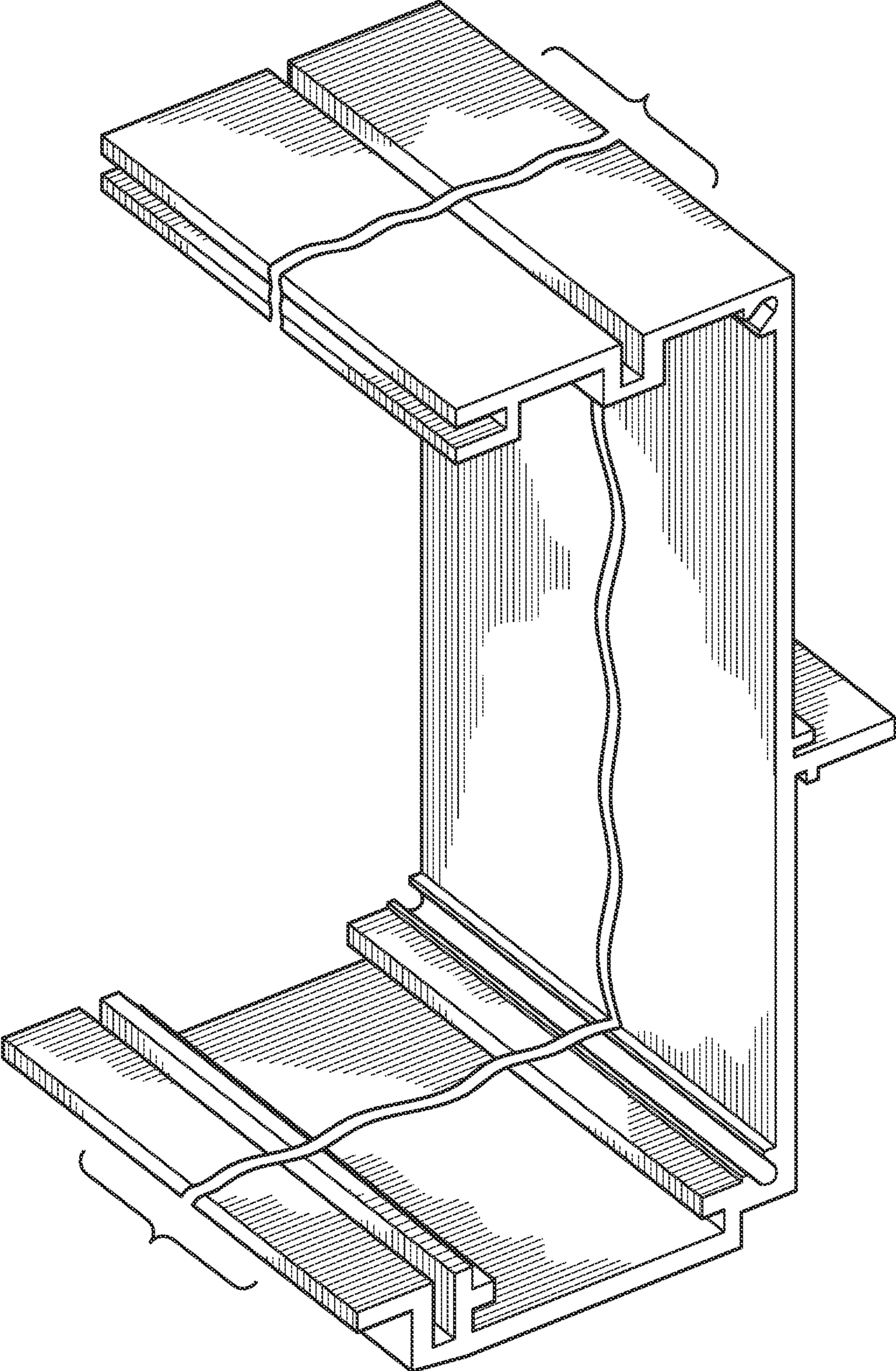


FIG. 1

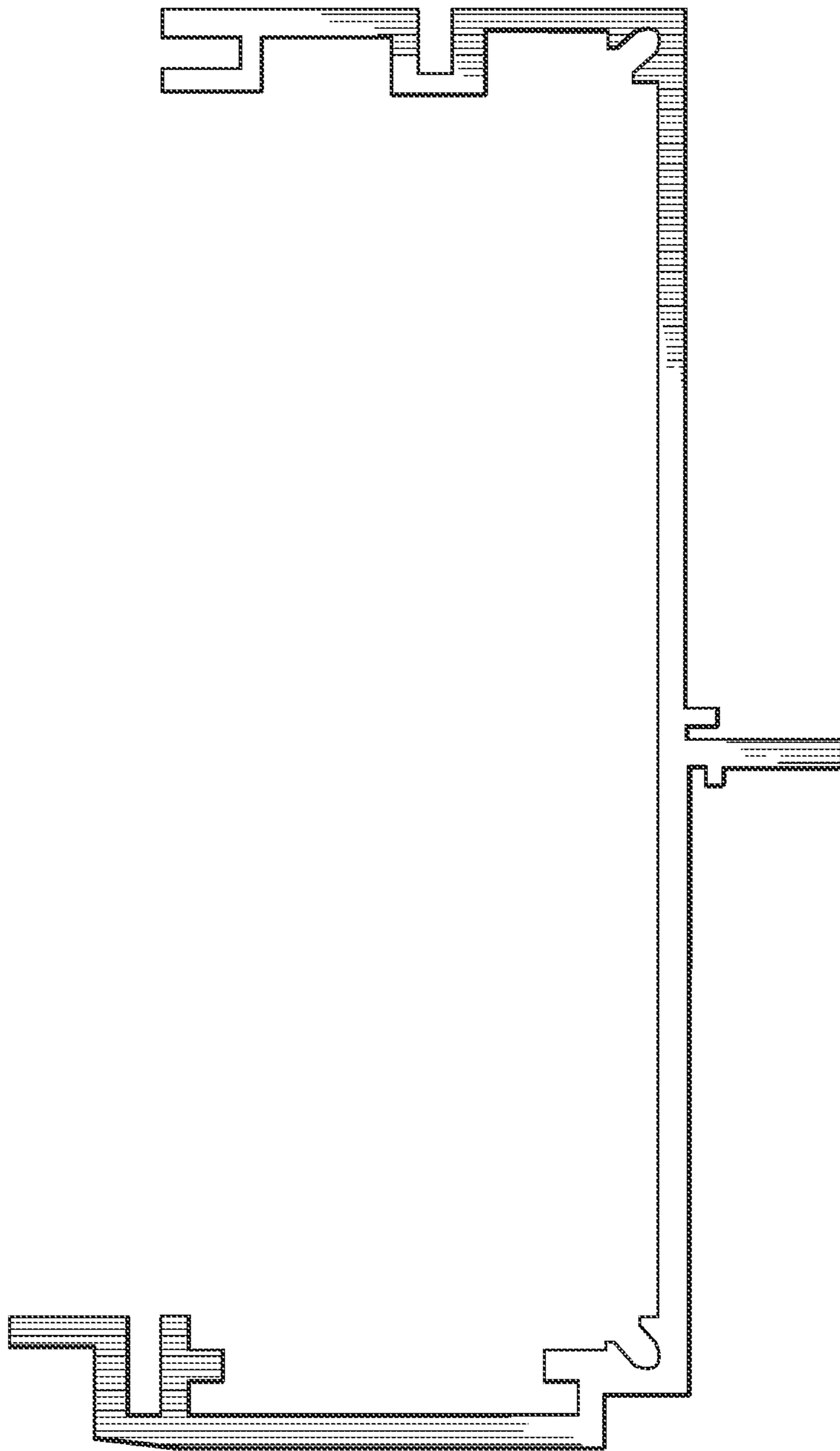


FIG. 2

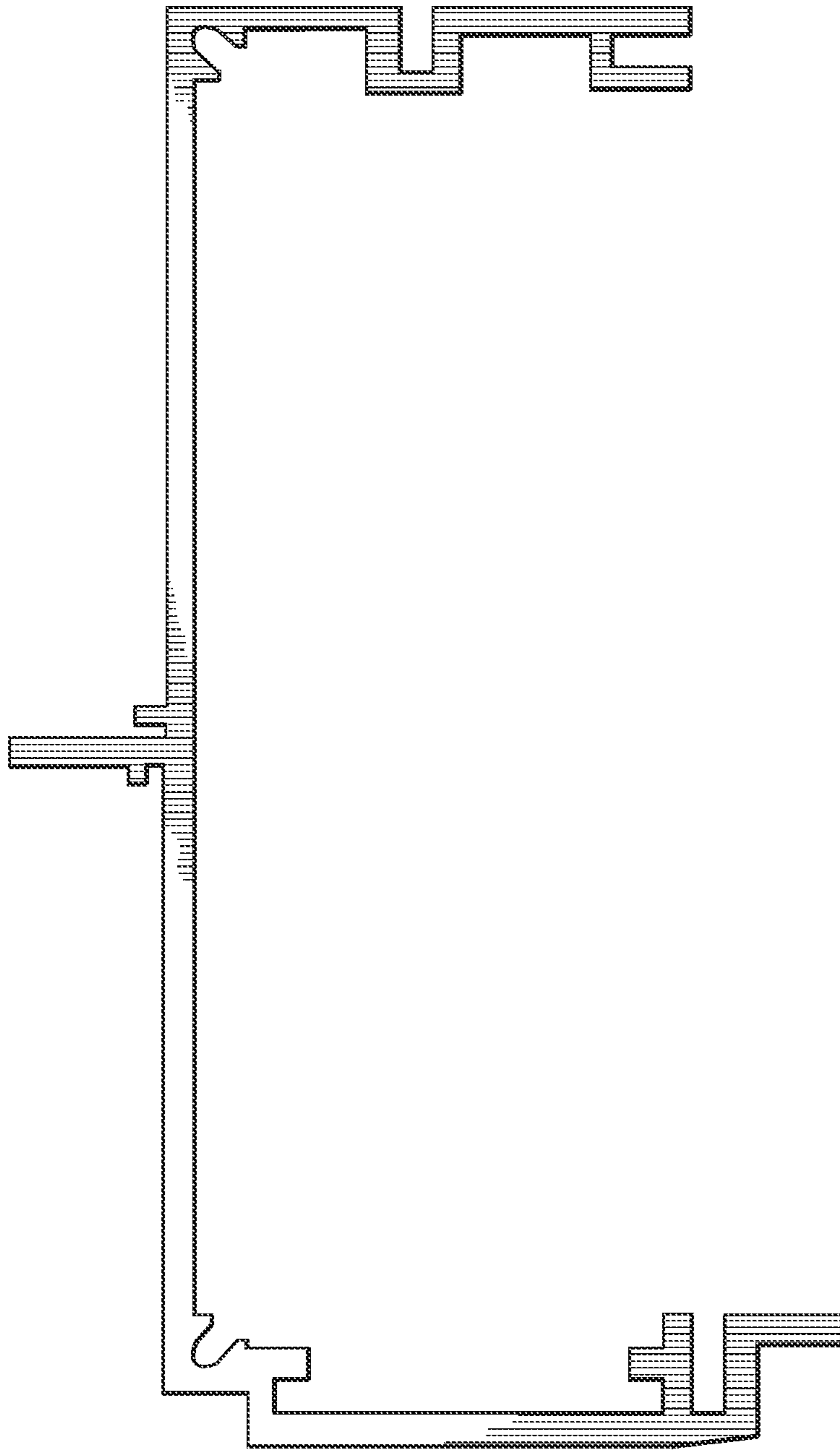


FIG. 3

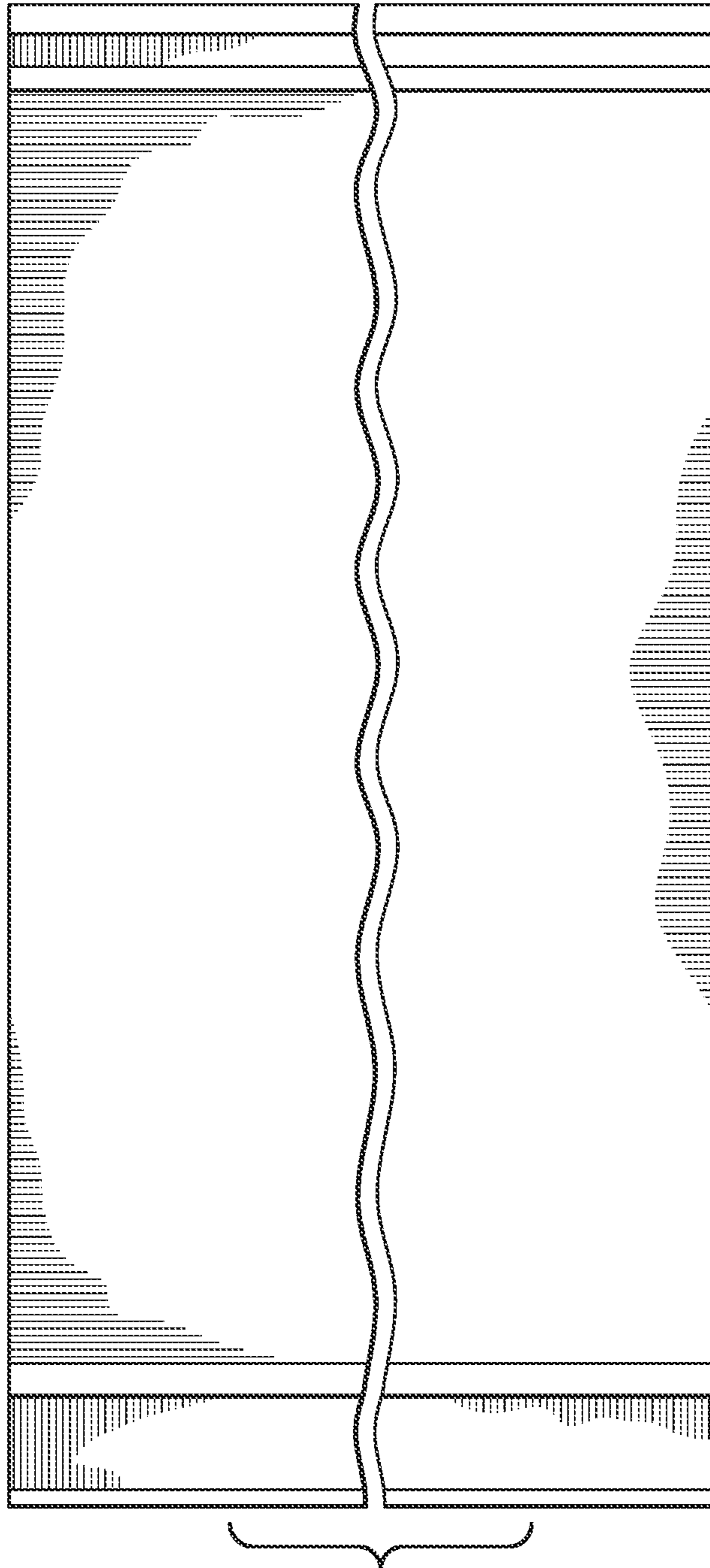


FIG. 4

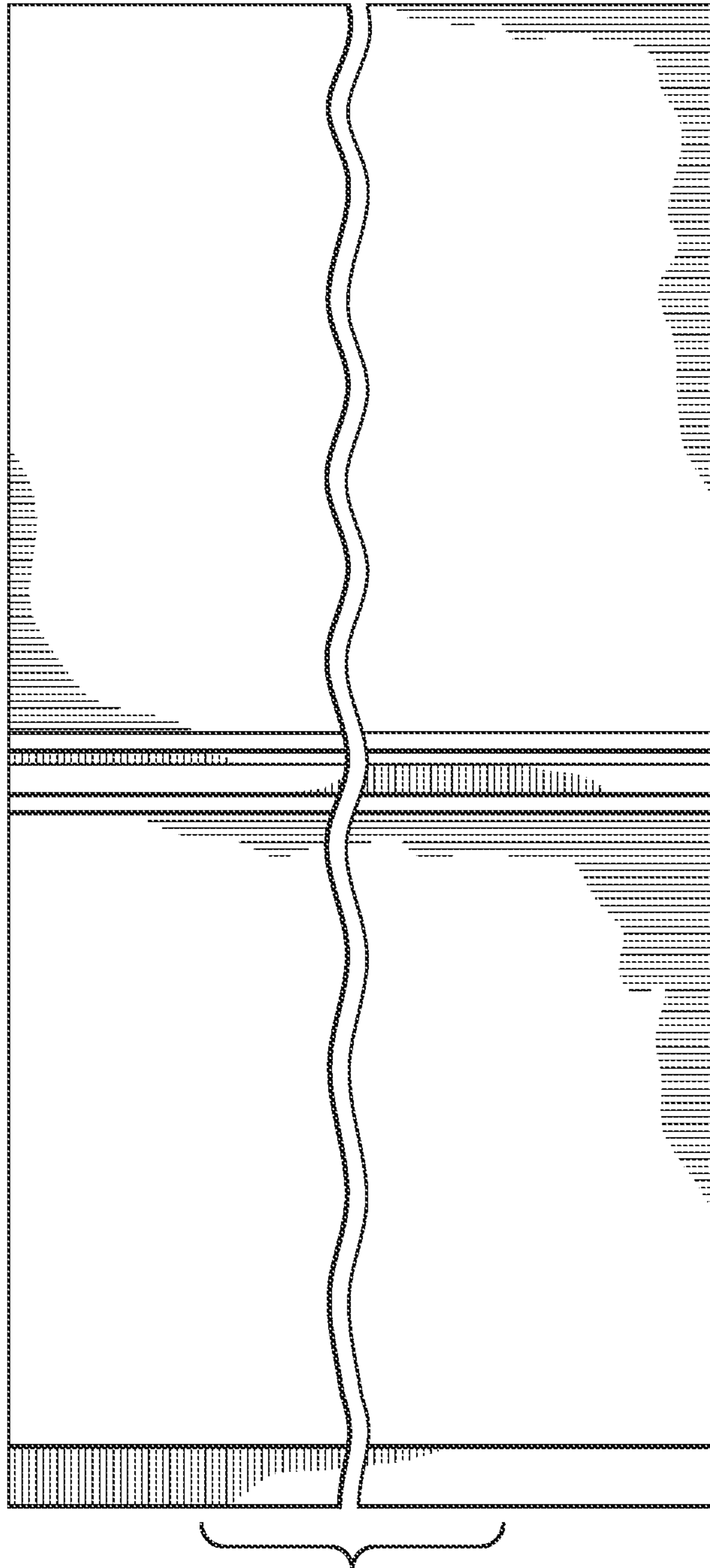


FIG. 5

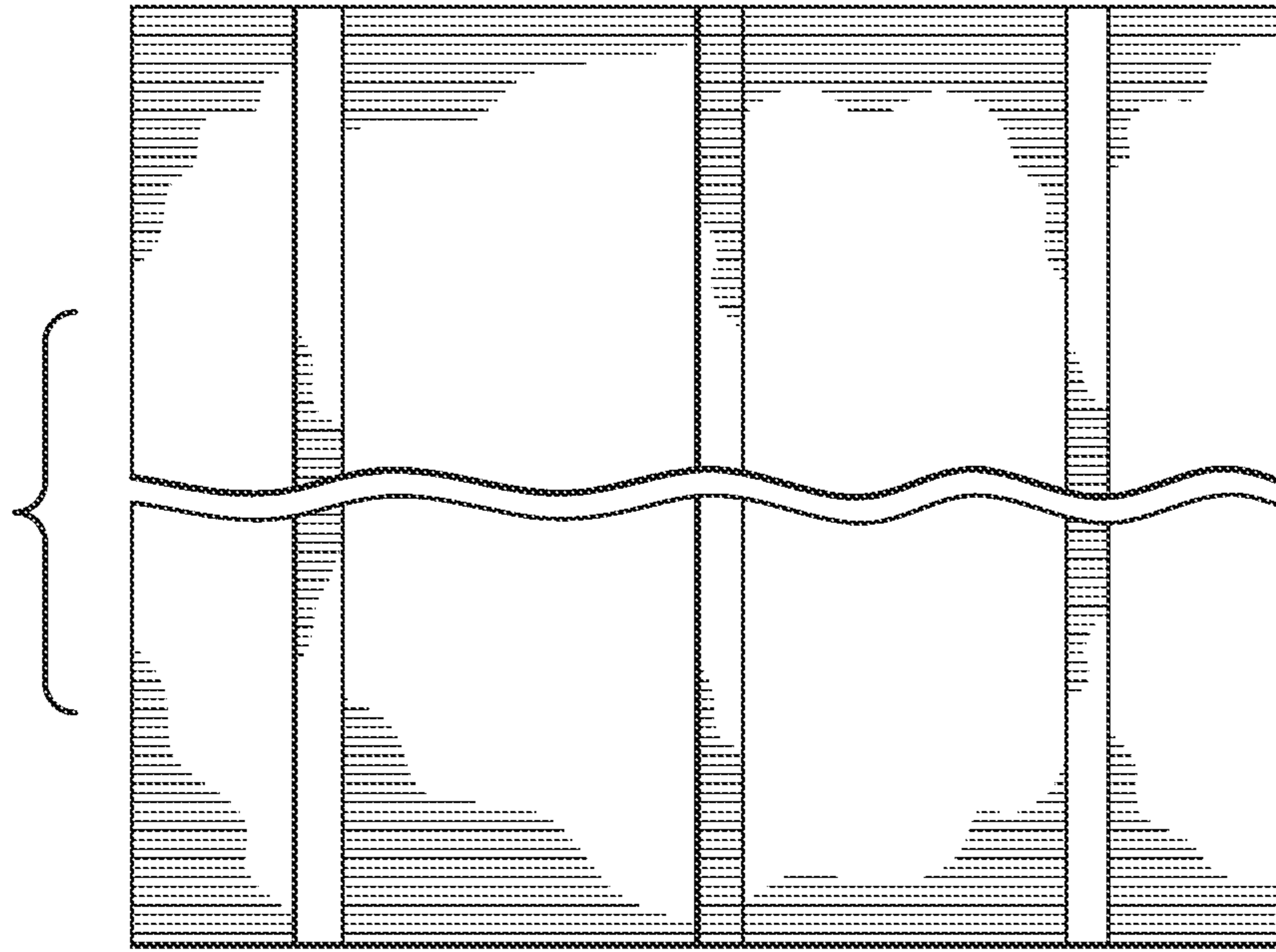


FIG. 6

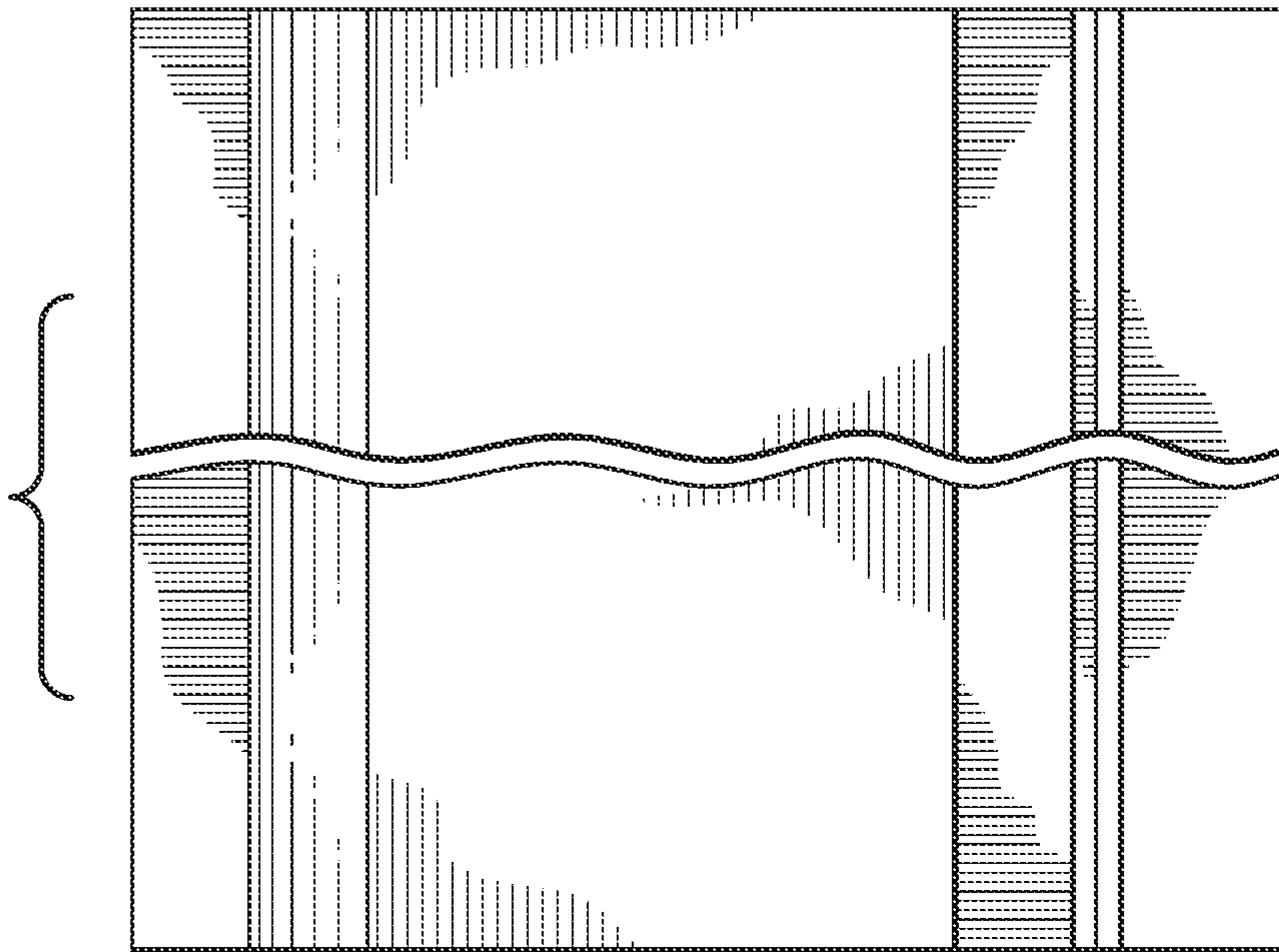


FIG. 7

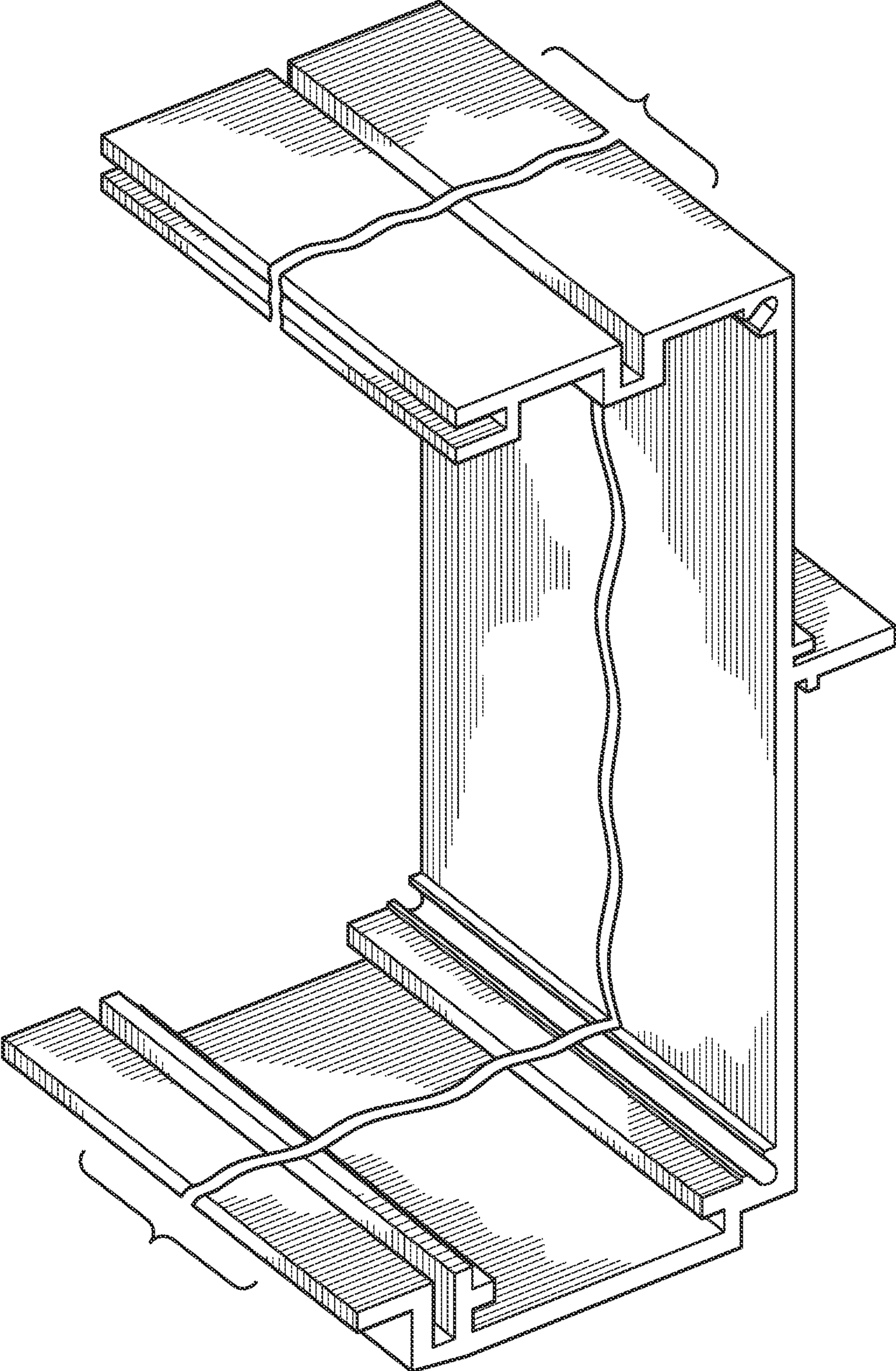


FIG. 8

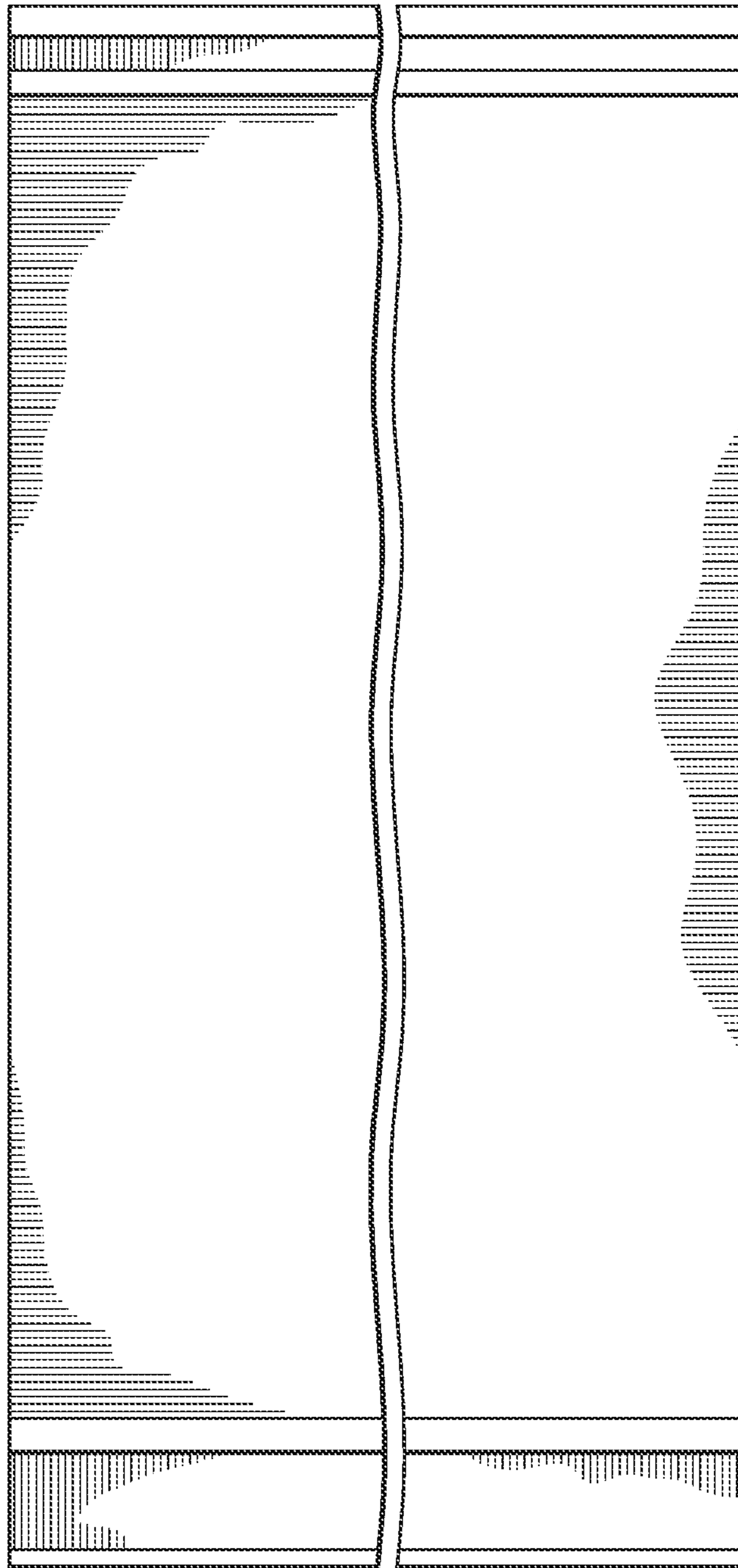


FIG. 9

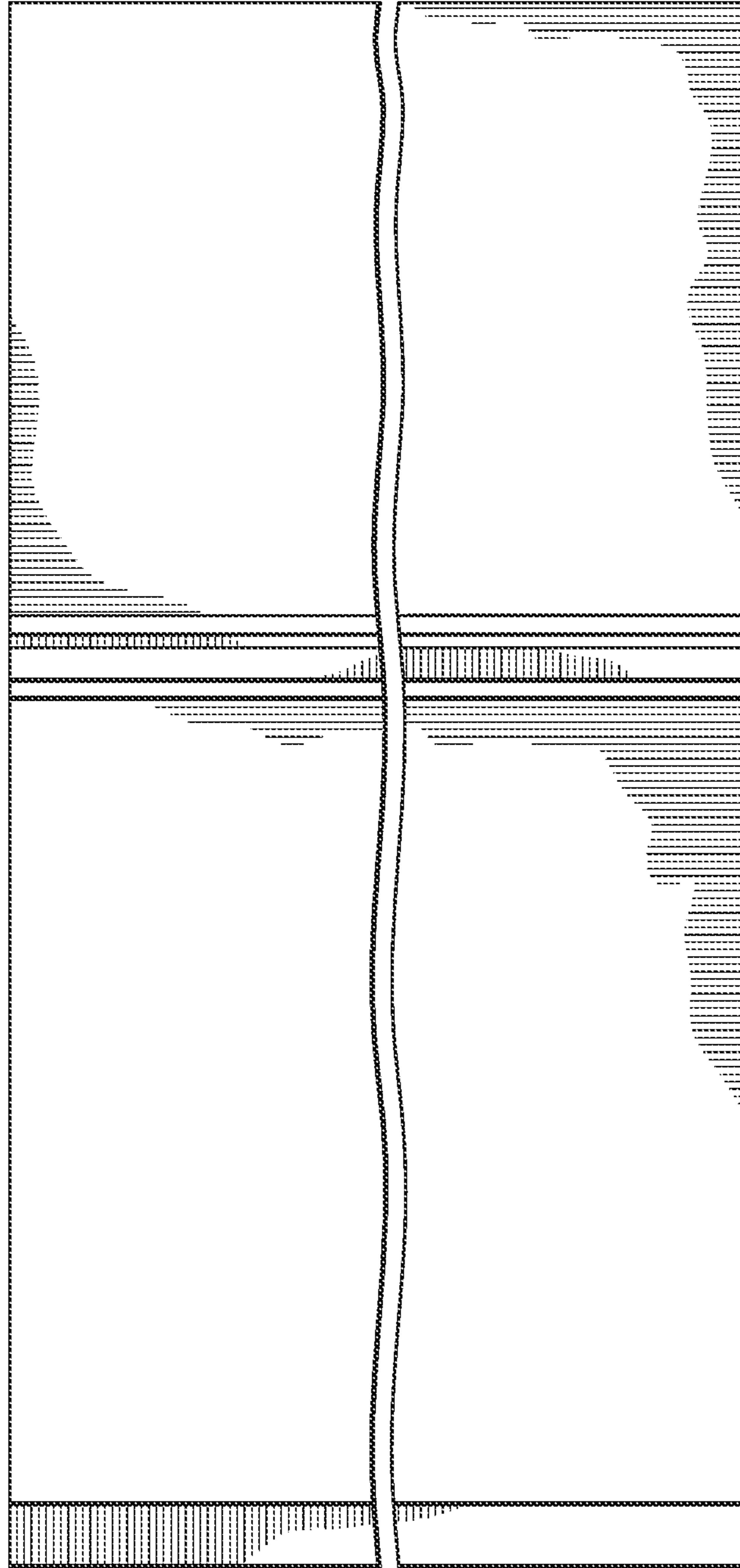


FIG. 10

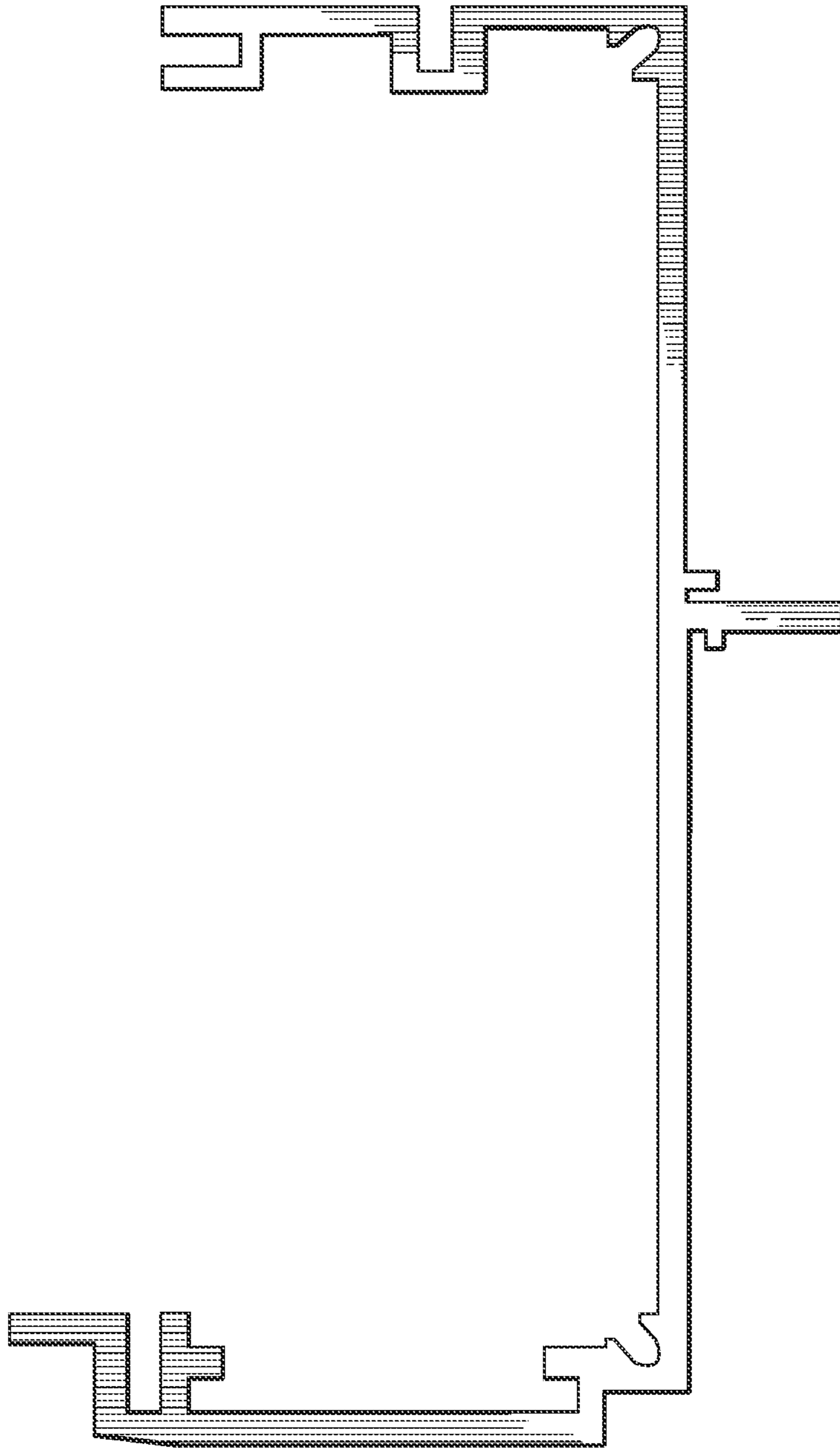


FIG. 11

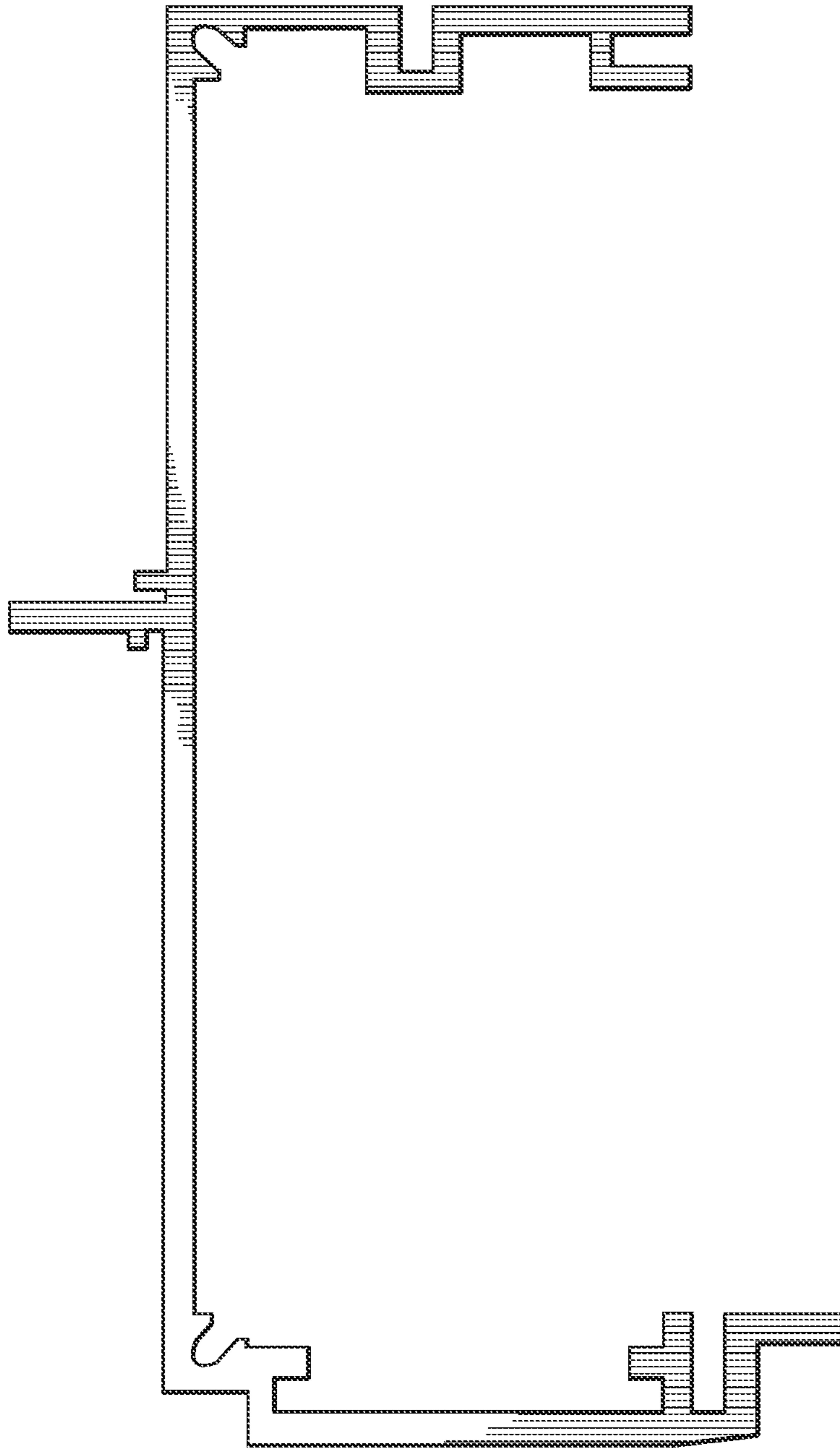


FIG. 12

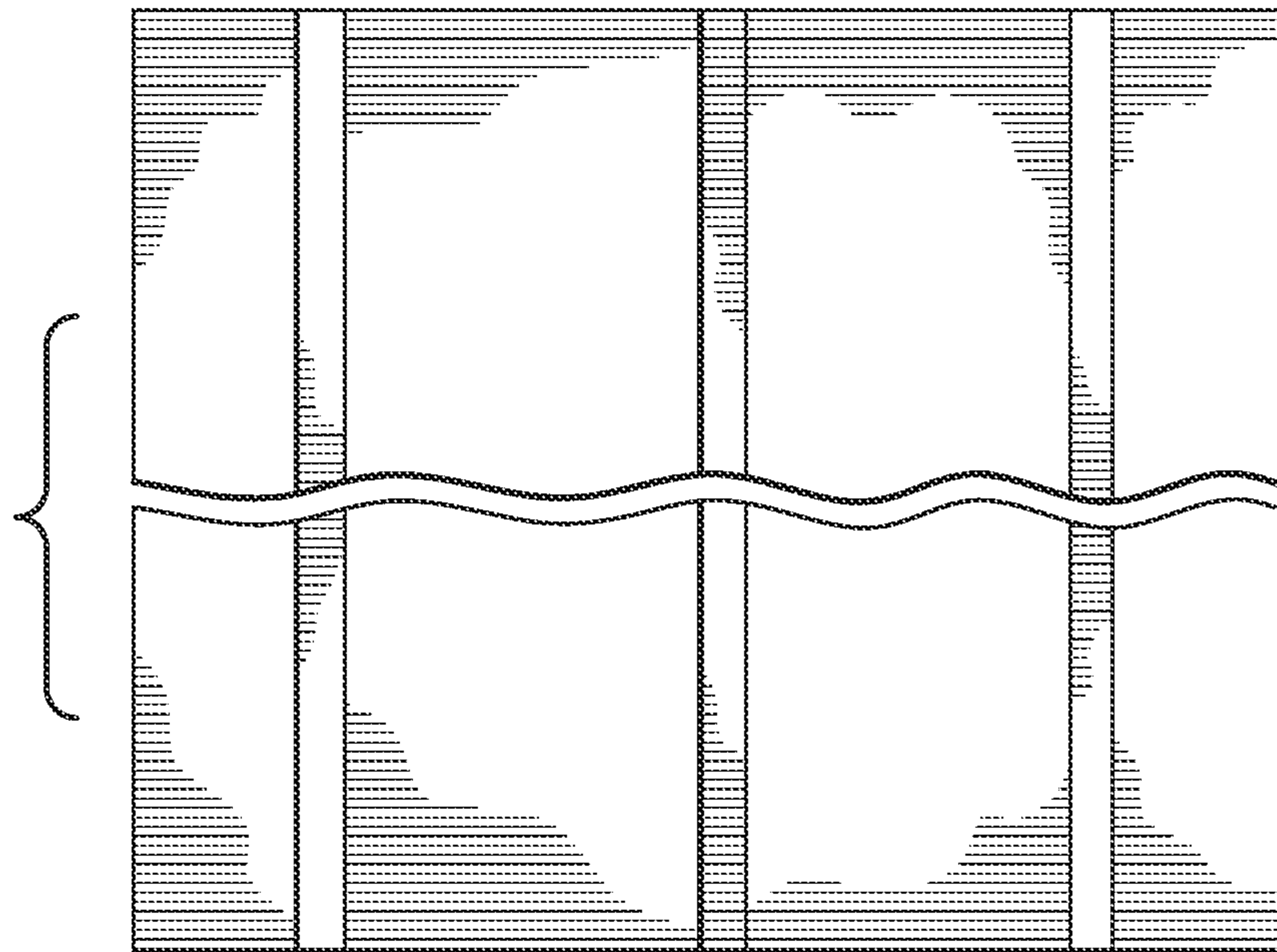


FIG. 13

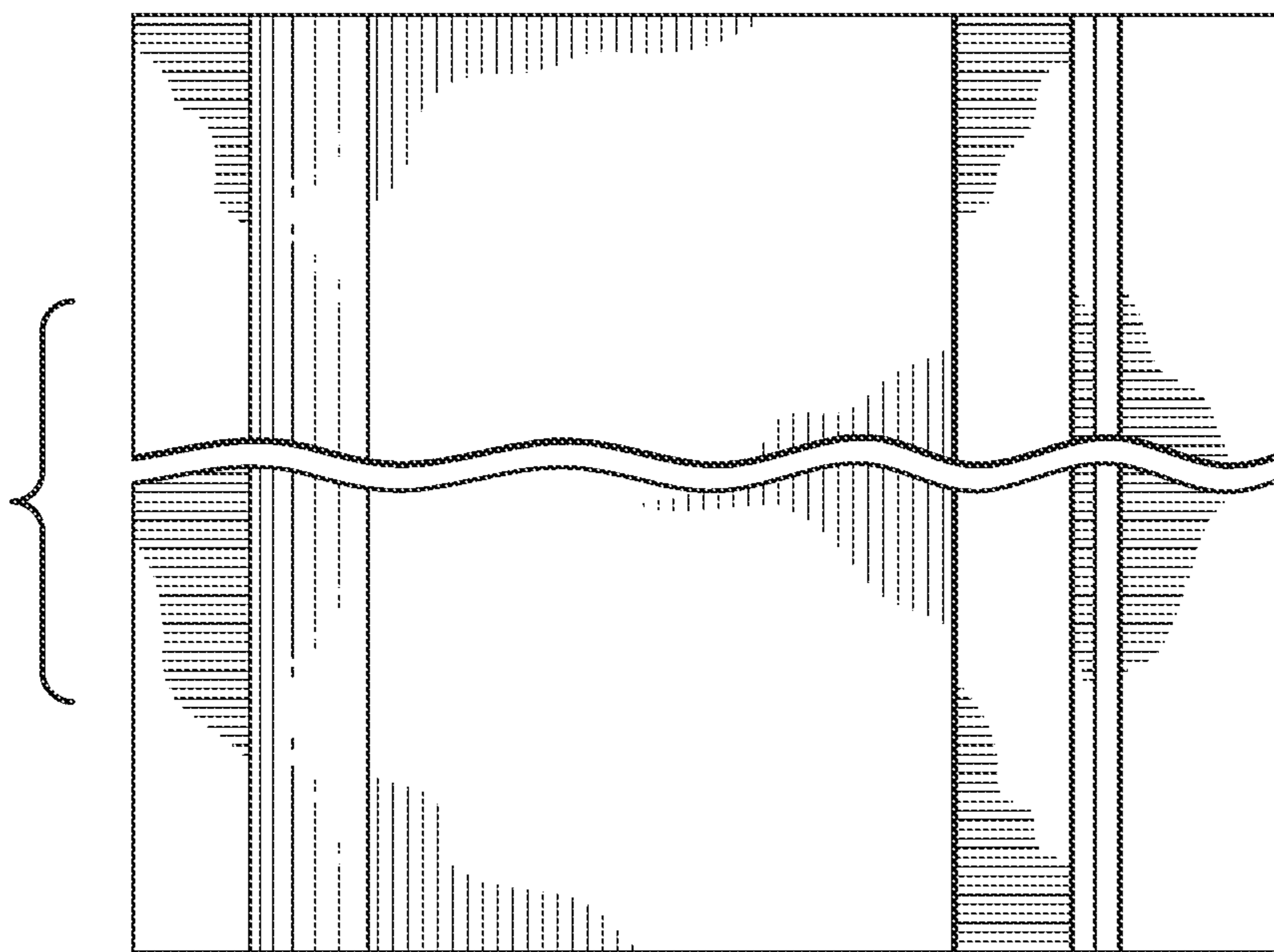


FIG. 14