



US00D987119S

(12) **United States Design Patent**
Xu et al.

(10) **Patent No.:** **US D987,119 S**

(45) **Date of Patent:** **** May 23, 2023**

(54) **SAWHORSE**

(71) Applicant: **JINHUA YAHU TOOLS CO., LTD.**,
Jinhua (CN)

(72) Inventors: **Ailing Xu**, Zhejiang (CN); **Rongmin Wang**, Zhejiang (CN); **Peng Pan**,
Zhejiang (CN)

(73) Assignee: **JINHUA YAHU TOOLS CO., LTD.**,
Jinhua (CN)

(**) Term: **15 Years**

(21) Appl. No.: **29/739,100**

(22) Filed: **Jun. 23, 2020**

(30) **Foreign Application Priority Data**

Dec. 24, 2019 (CN) 201930723251.6

(51) **LOC (14) Cl.** **25-04**

(52) **U.S. Cl.**
USPC **D25/67**

(58) **Field of Classification Search**
USPC D25/67, 68
CPC ... B25H 1/06; B25H 1/04; B25H 1/14; B25H
1/18; B25H 1/00; B25H 5/00
See application file for complete search history.

(56) **References Cited**

U.S. PATENT DOCUMENTS

D634,857 S * 3/2011 Landau D25/67
D634,858 S * 3/2011 Landau D25/67
D638,141 S * 5/2011 Busschaert D25/67

(Continued)

OTHER PUBLICATIONS

Bauer 32 in. Steel Adjustable Sawhorse 1300 lbs. Capacity, shown
in www.harborfreight.com, shown in pp. 1-12, Model 20211MH-B
(Year: 2023).*

(Continued)

Primary Examiner — Gino Colan

(74) *Attorney, Agent, or Firm* — Bayramoglu Law Offices
LLC

(57) **CLAIM**

The ornamental design for a sawhorse, as shown and
described.

DESCRIPTION

FIG. 1 is a front elevation view of a sawhorse showing my
new design.

FIG. 2 is a rear elevation view thereof.

FIG. 3 is a left side elevation view thereof.

FIG. 4 is a right side elevation view thereof.

FIG. 5 is a top plan view thereof.

FIG. 6 is a bottom plan view thereof.

FIG. 7 is a perspective view thereof.

FIG. 8 is another perspective view thereof.

FIG. 9 is another perspective view thereof.

FIG. 10 is another perspective view thereof.

FIG. 11 is a perspective view of the design in a folded state.

FIG. 12 is a perspective view indicating an expanded view
area A shown in FIG. 13.

FIG. 13 is an expanded view of the area A in FIG. 12.

FIG. 14 is a perspective view indicating an expanded view
area B shown in FIG. 15.

FIG. 15 is an expanded view of the area B in FIG. 14.

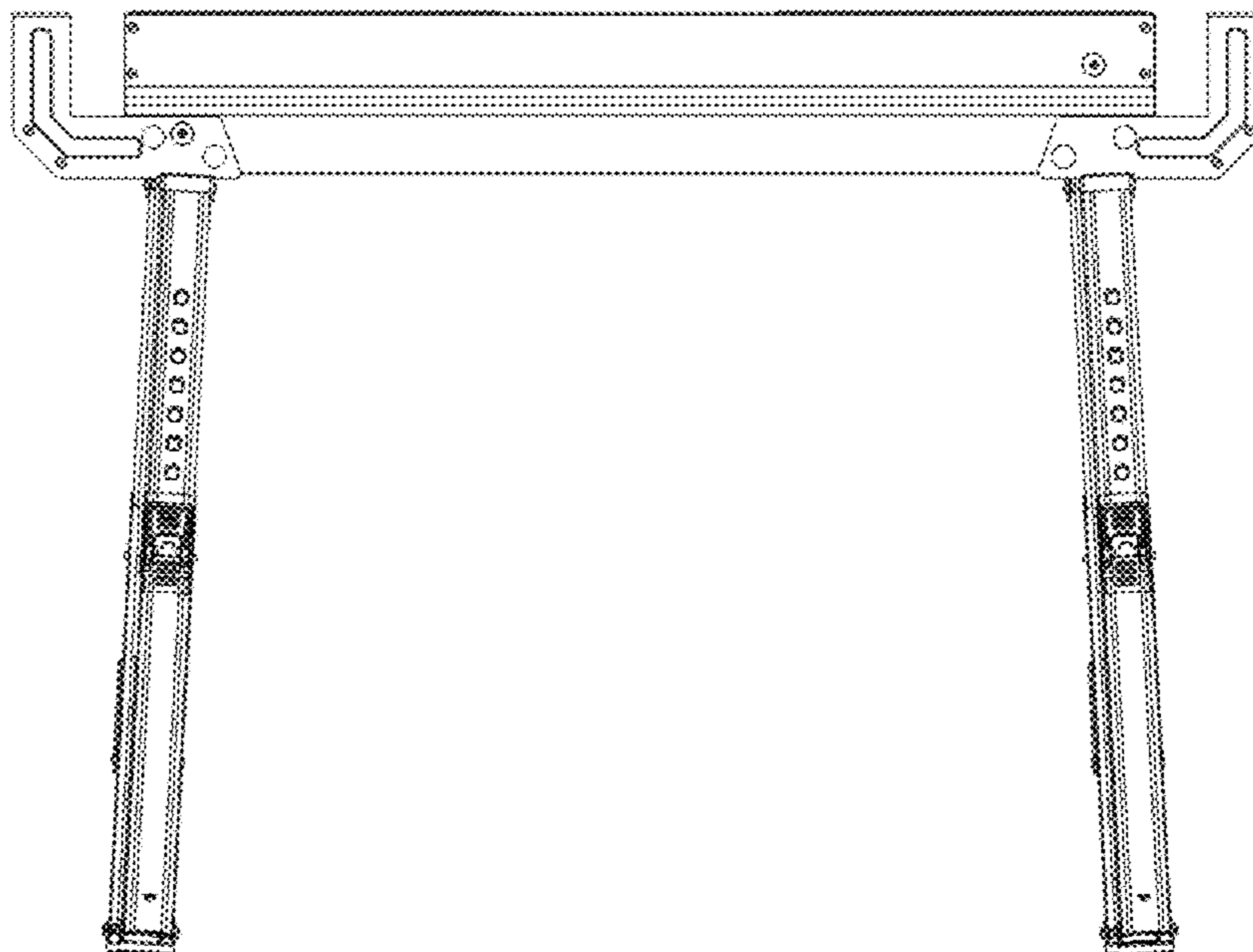
FIG. 16 is another perspective view indicating an expanded
view area C shown in FIG. 17.

FIG. 17 is an expanded view of the area C in FIG. 16.

FIG. 18 is another perspective view indicating an expanded
view area D shown in FIG. 19.

FIG. 19 is an expanded view of the area D in FIG. 18; and,
FIG. 20 is a perspective view of a solid model corresponding
to the perspective view of FIG. 7.

1 Claim, 20 Drawing Sheets



(56)

References Cited

U.S. PATENT DOCUMENTS

D803,419 S * 11/2017 Faibish D25/67

OTHER PUBLICATIONS

Wen WA1302 1300-pound Capacity Height Adjustable Folding
Steel Saw Horse, shown in www.amazon.com, shown in pp. 1-10,
ASIN B09BRFW8Z7 (Year: 2021).*

* cited by examiner

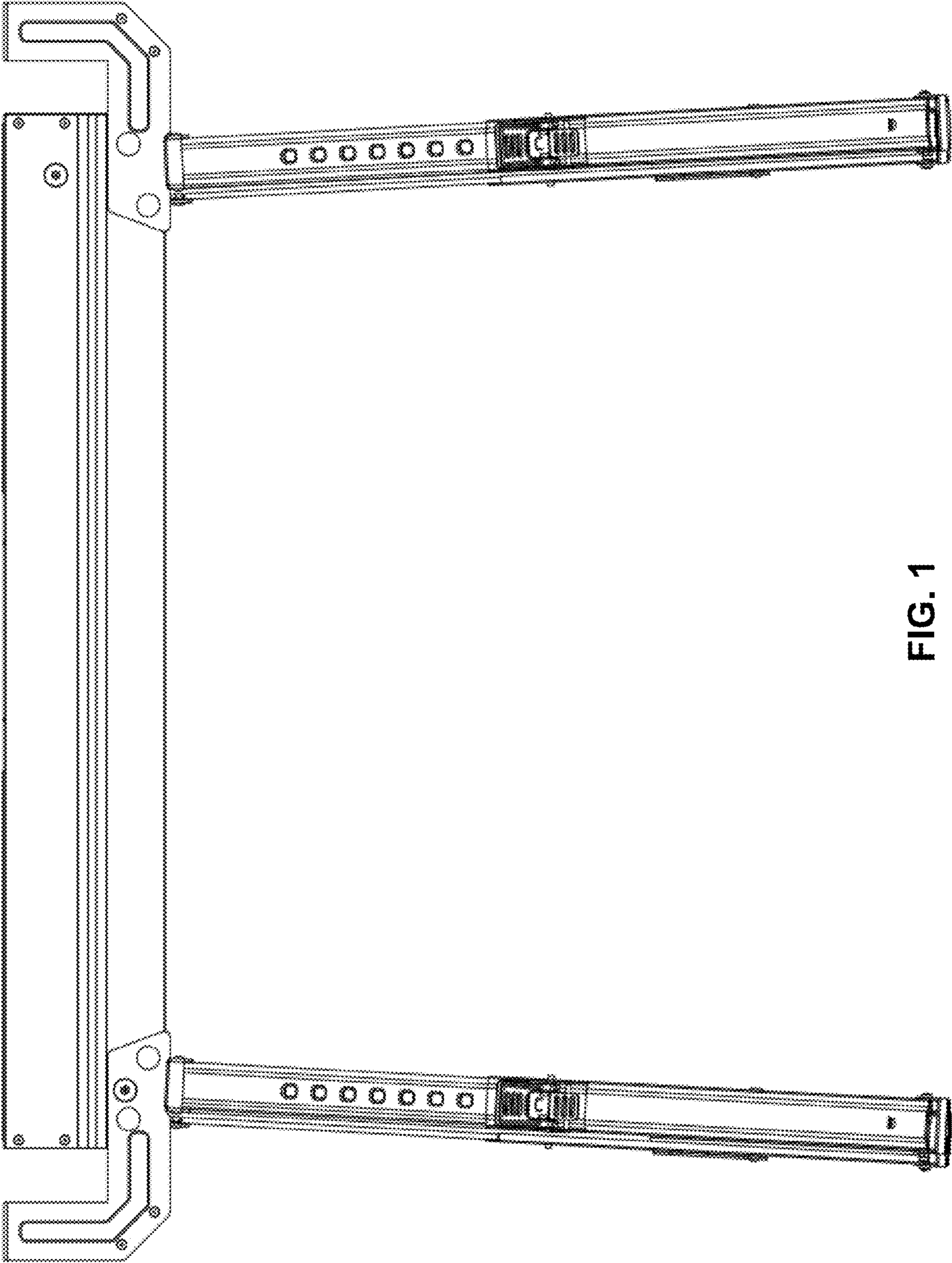


FIG. 1

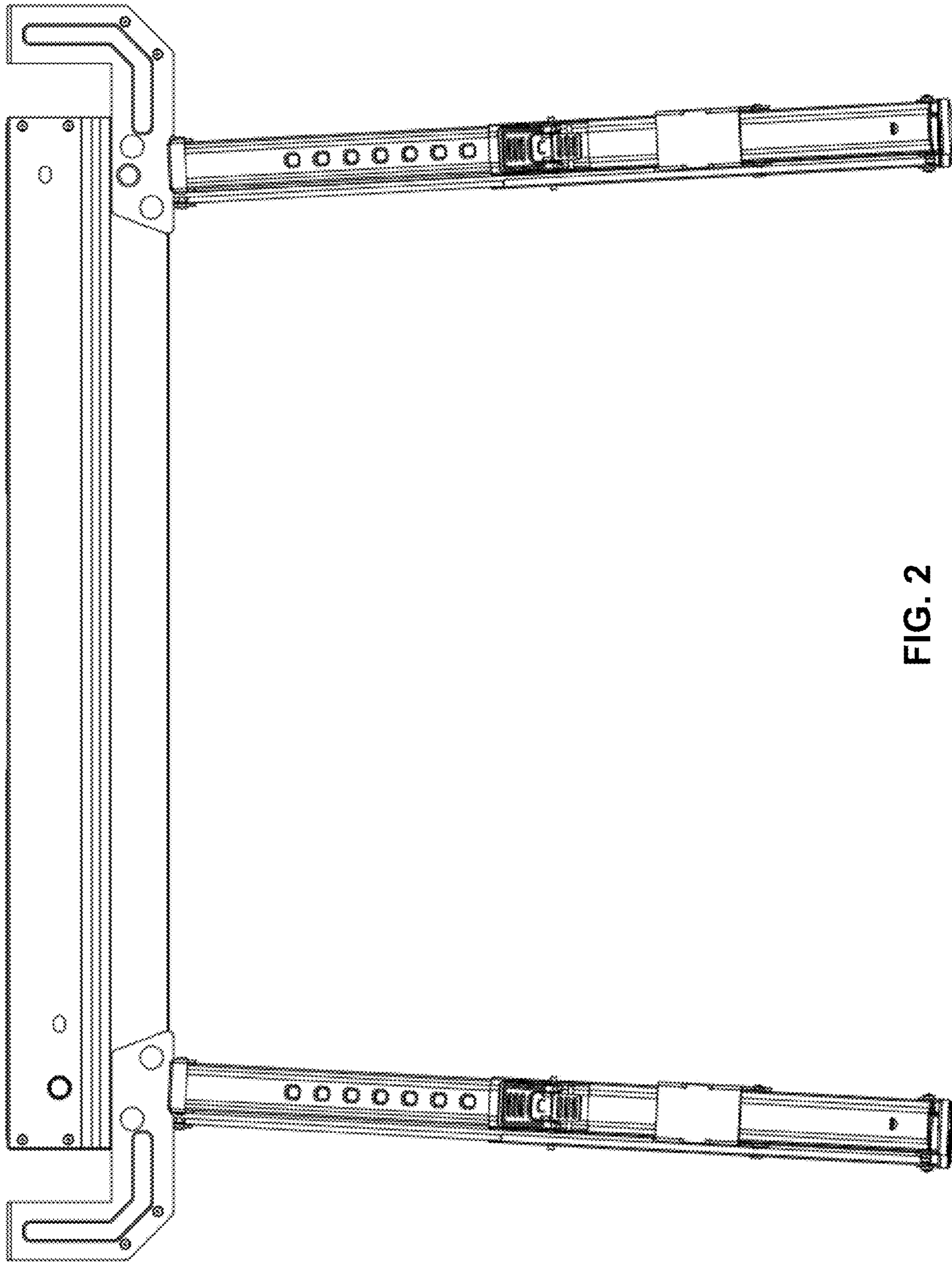


FIG. 2

FIG. 3

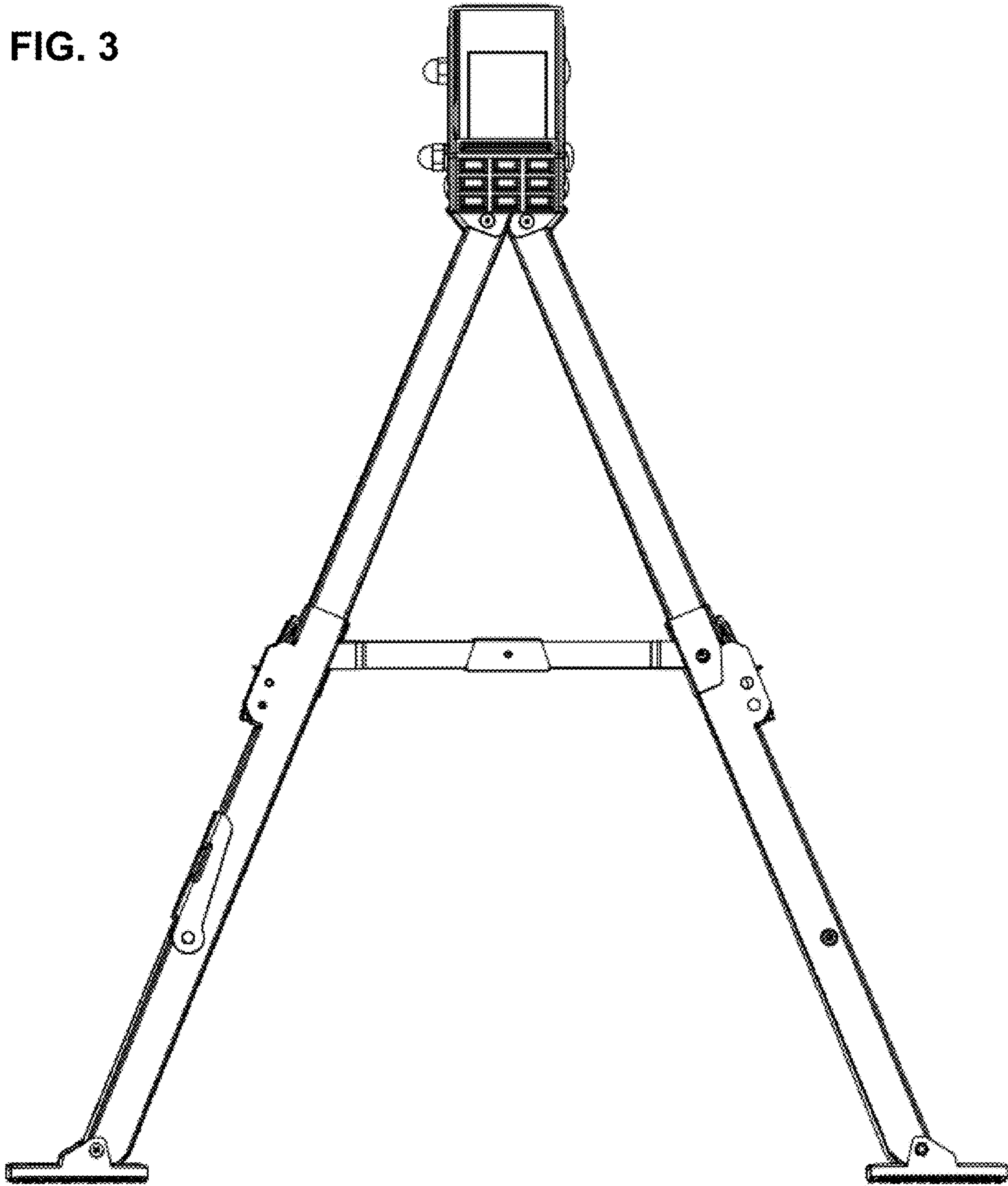
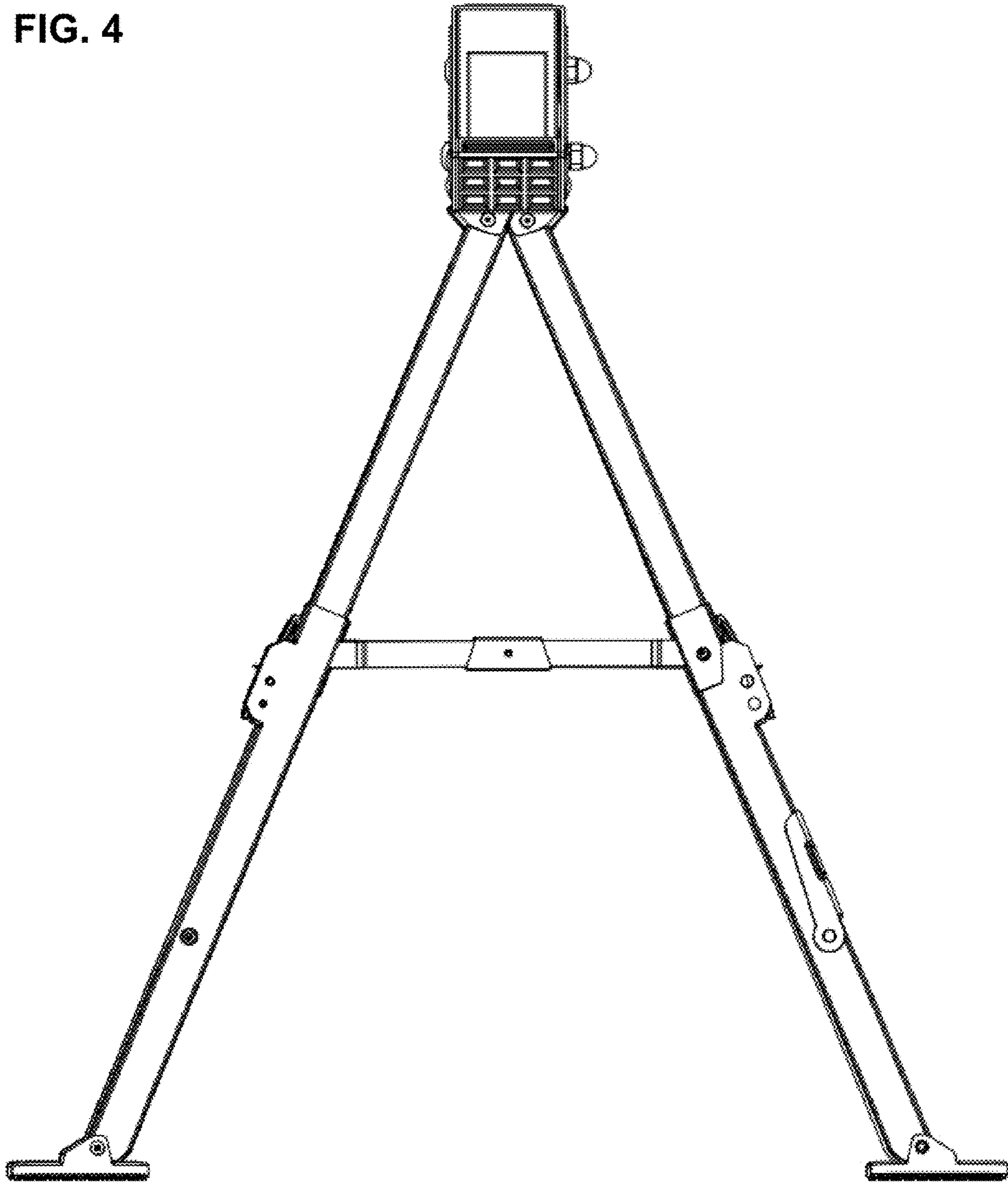


FIG. 4



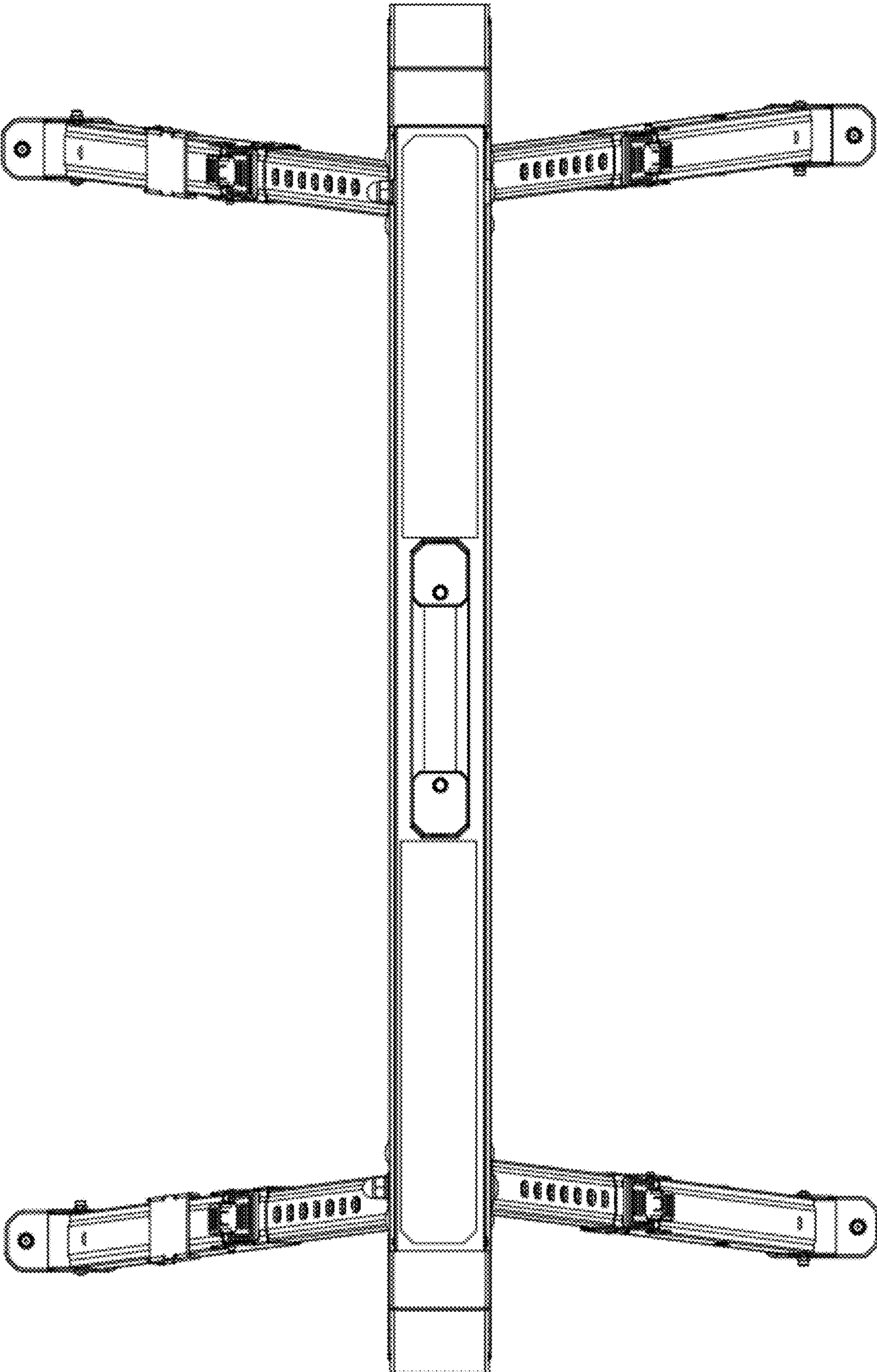


FIG. 5

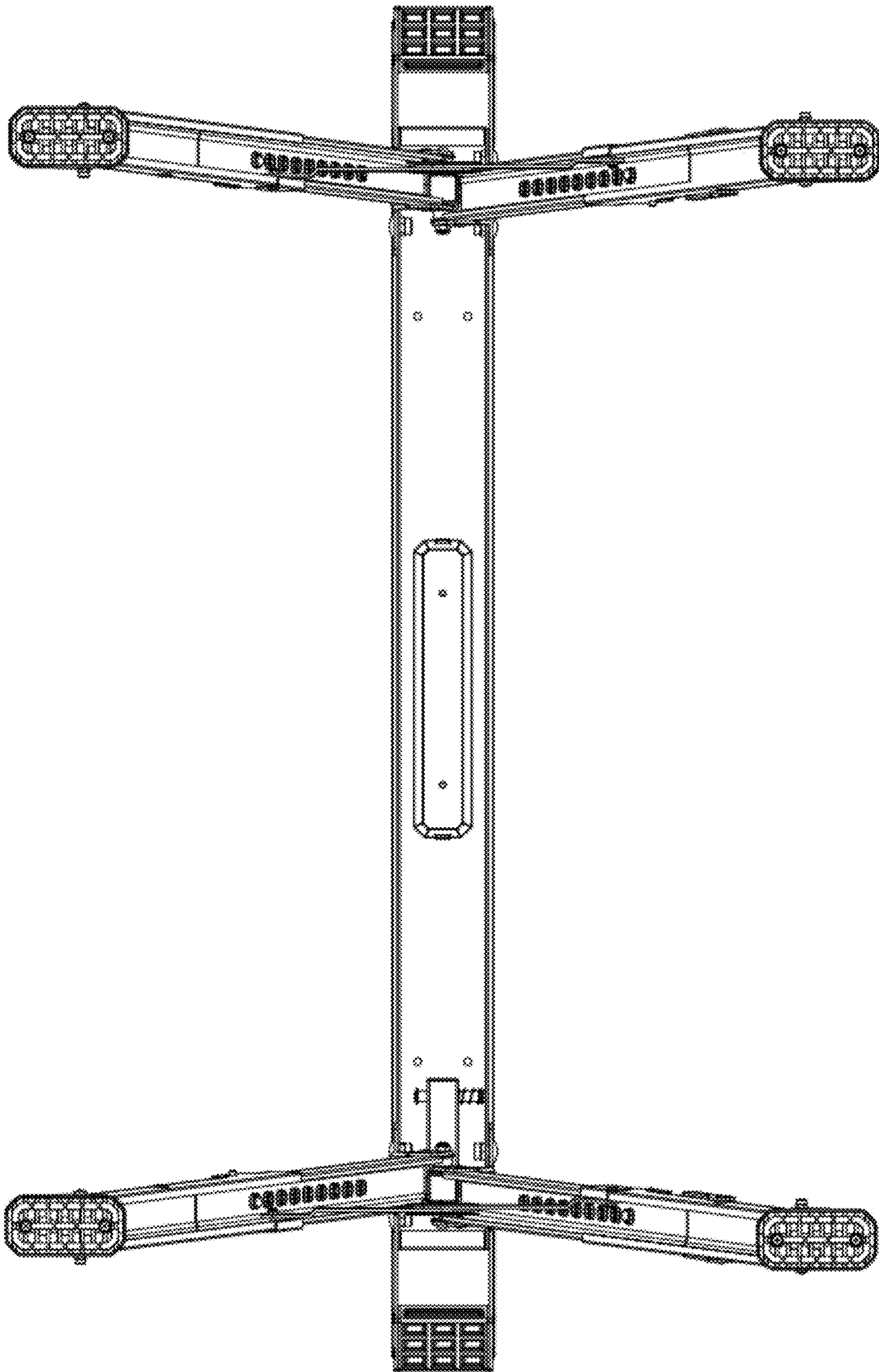


FIG. 6

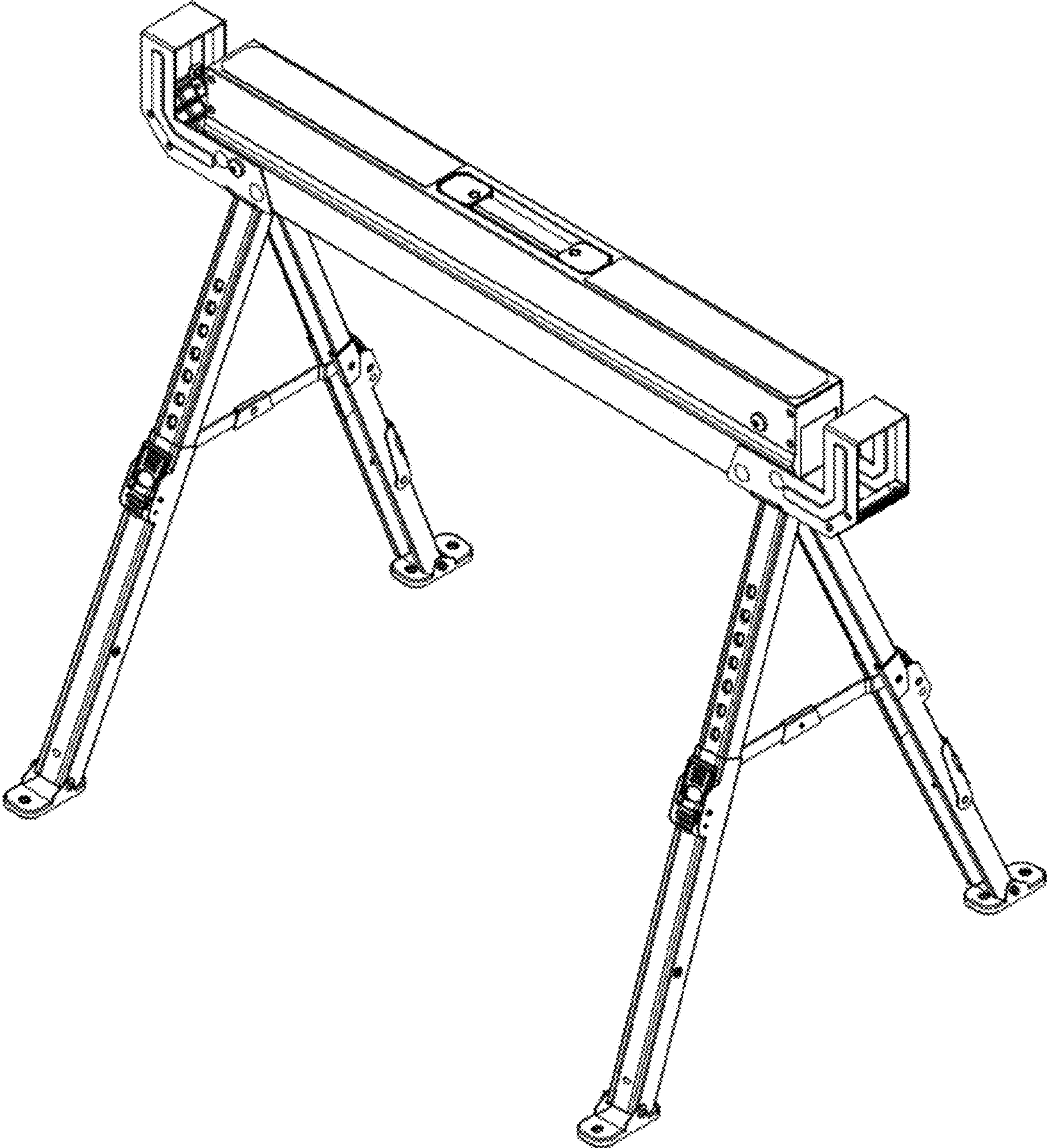


FIG. 7

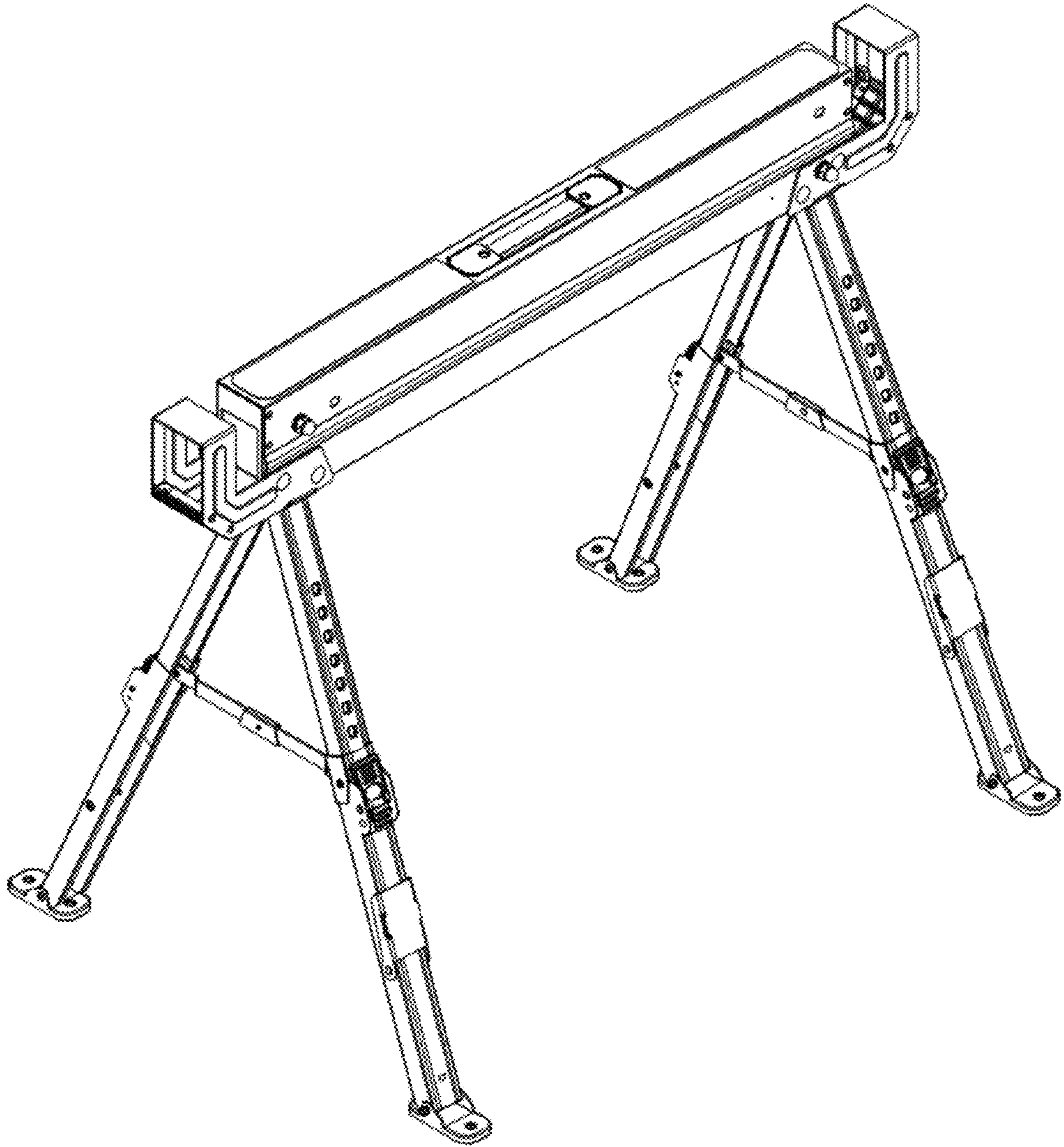


FIG. 8

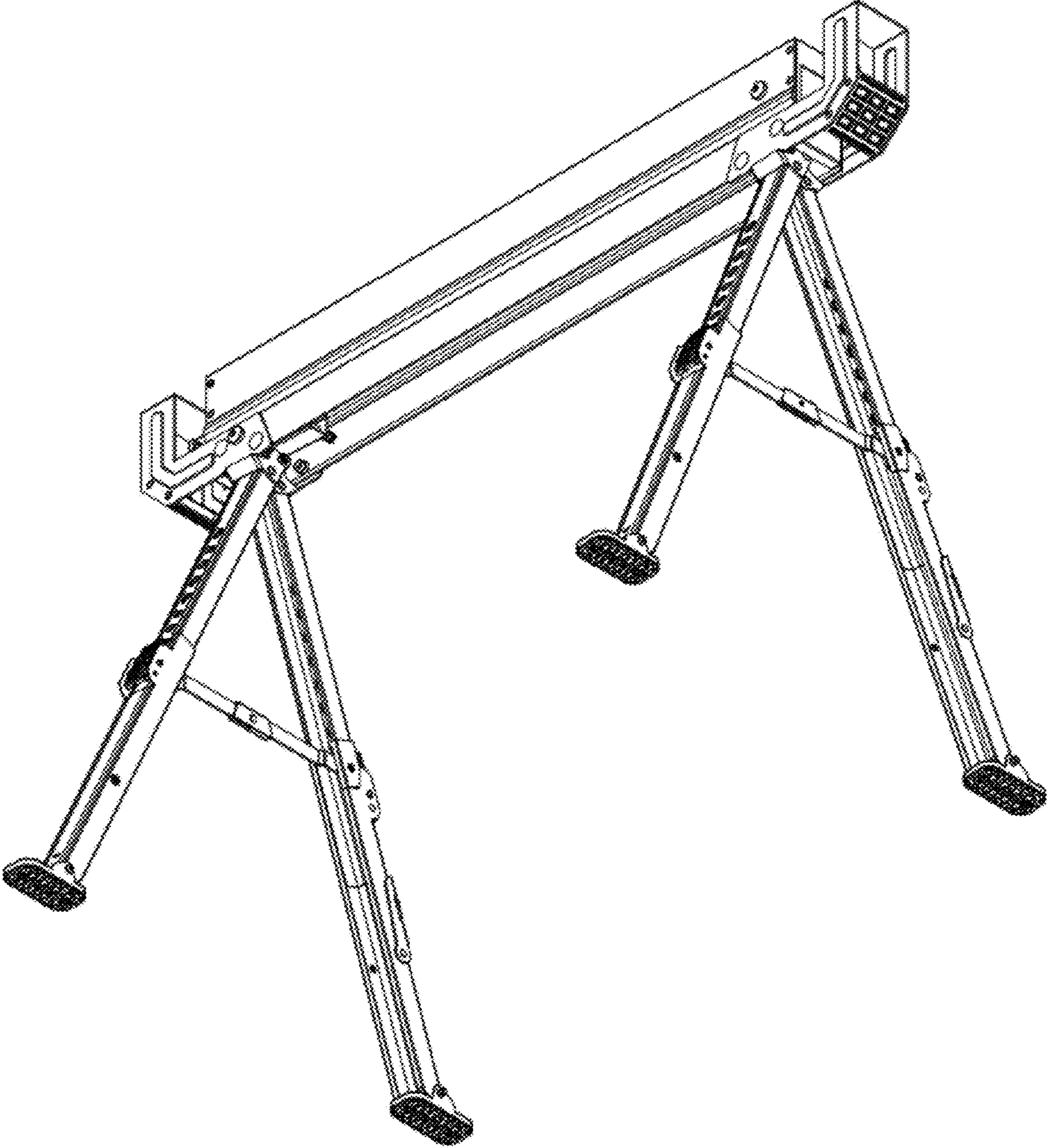


FIG. 9

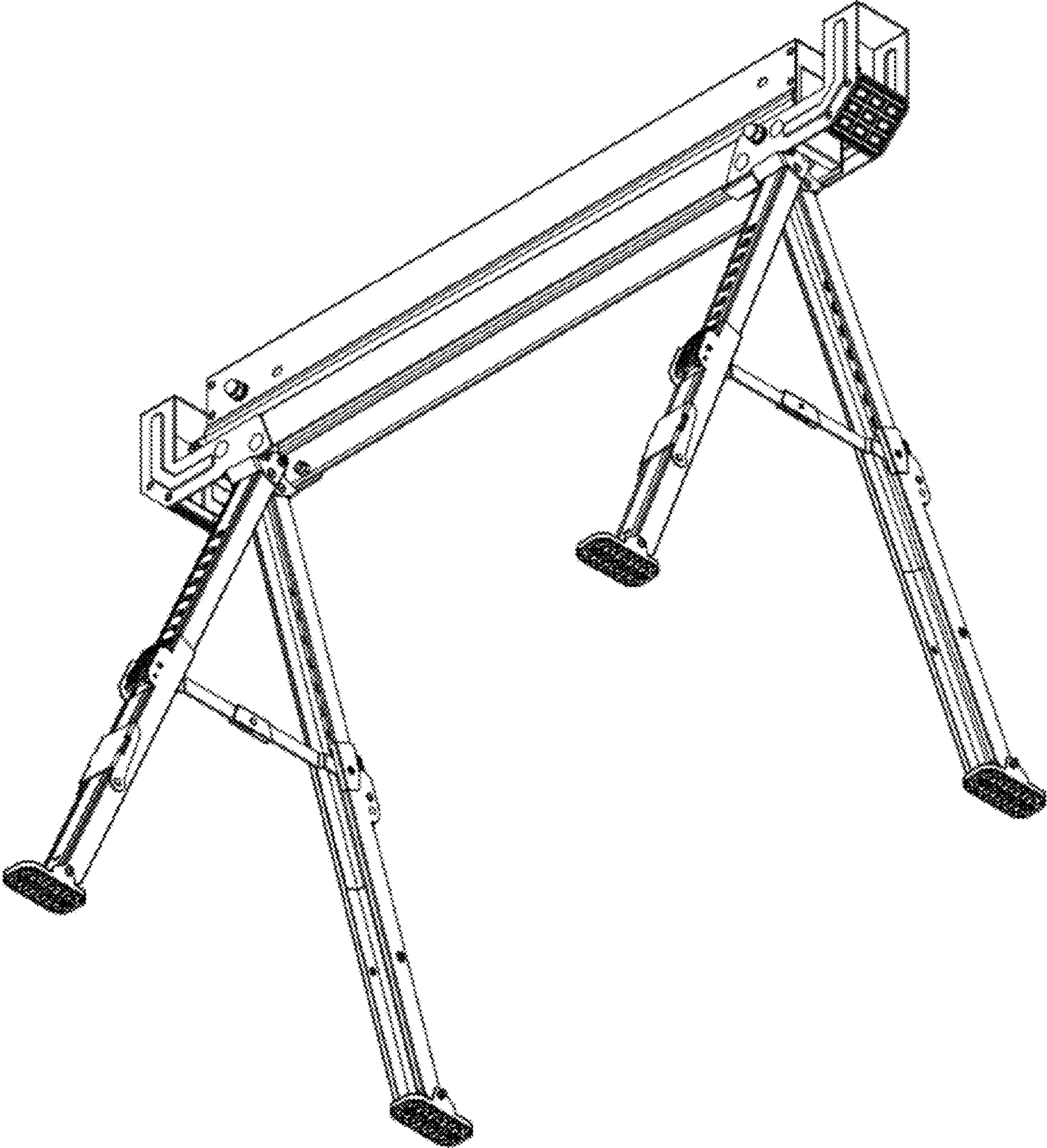


FIG. 10

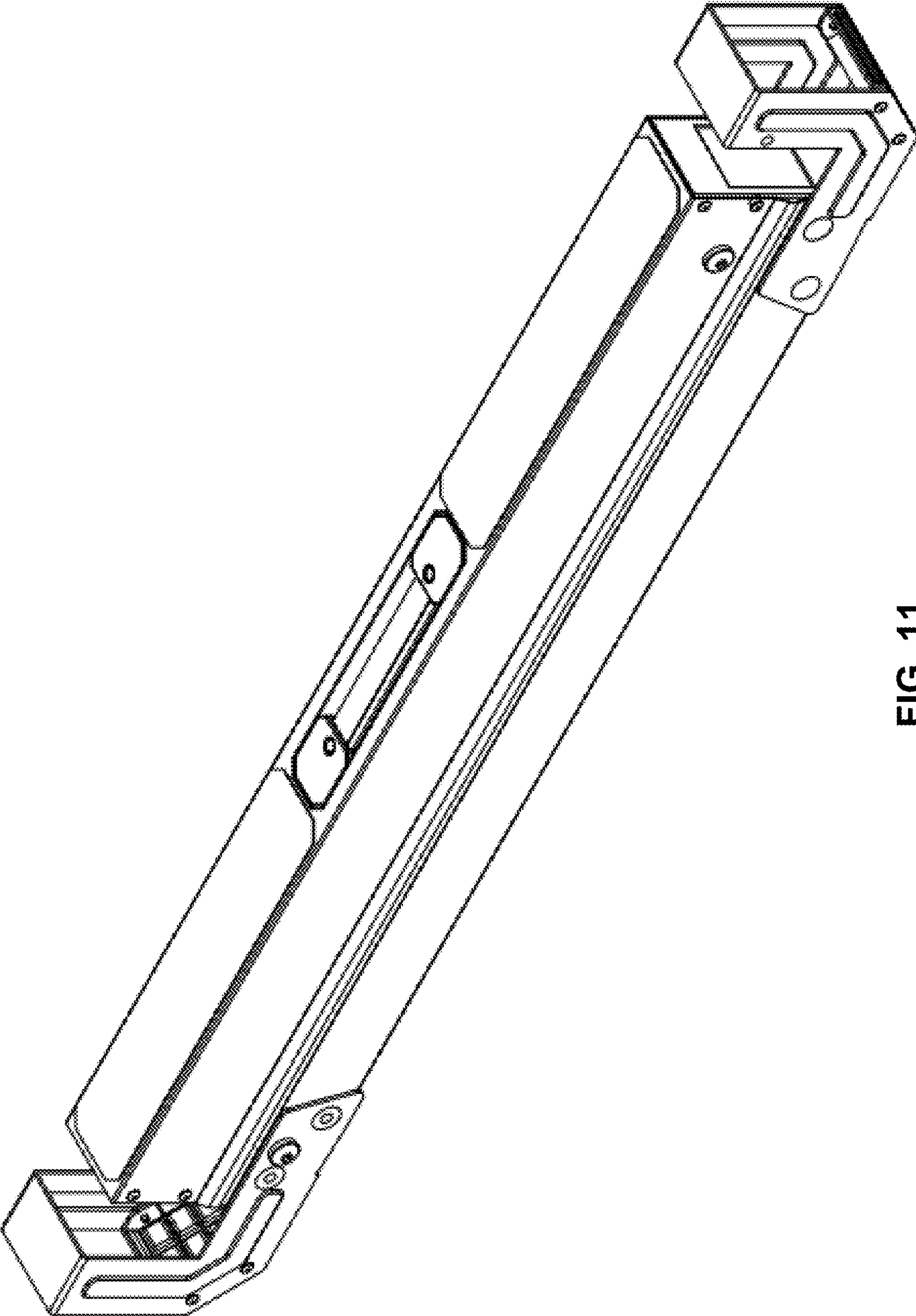


FIG. 11

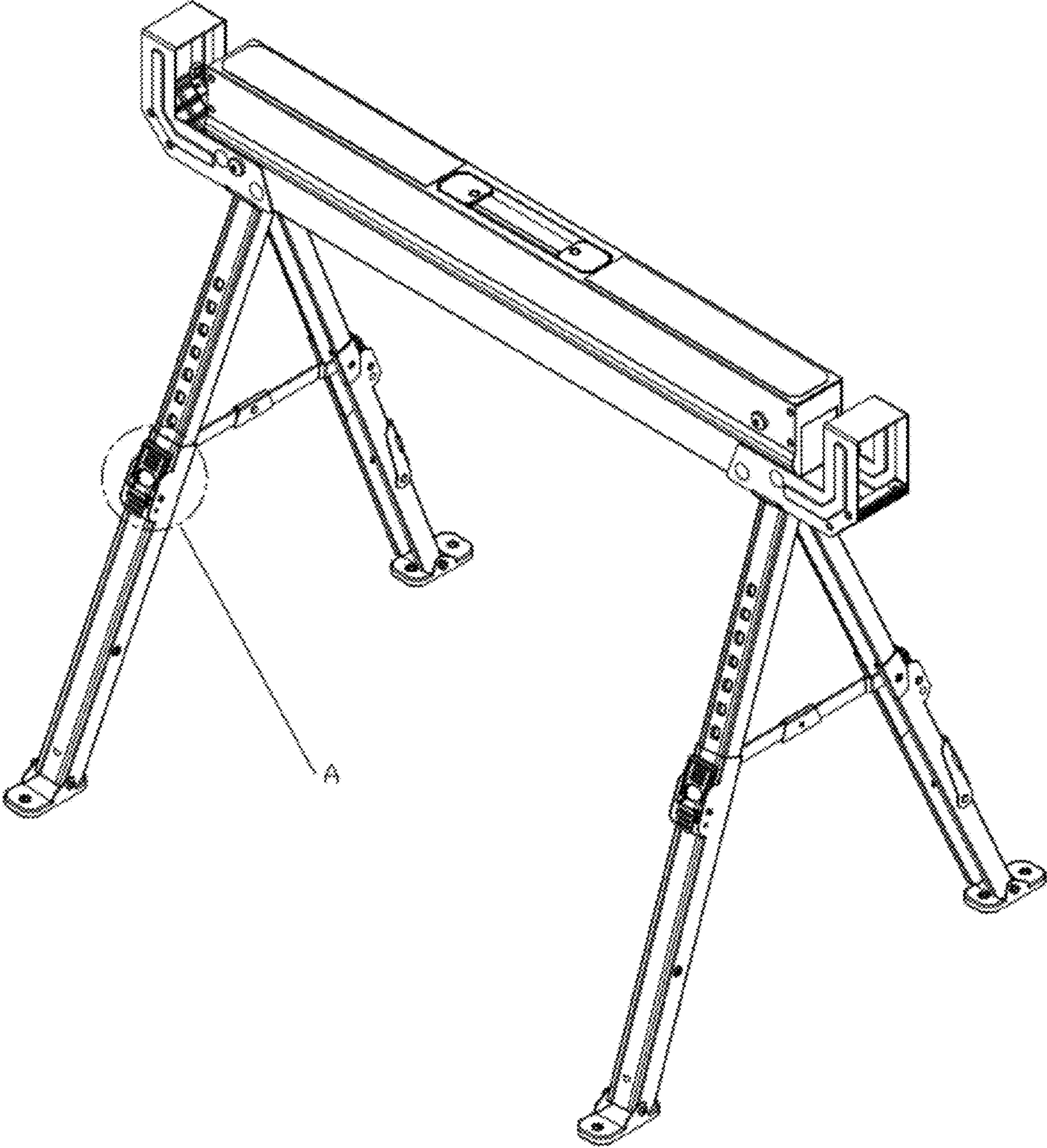
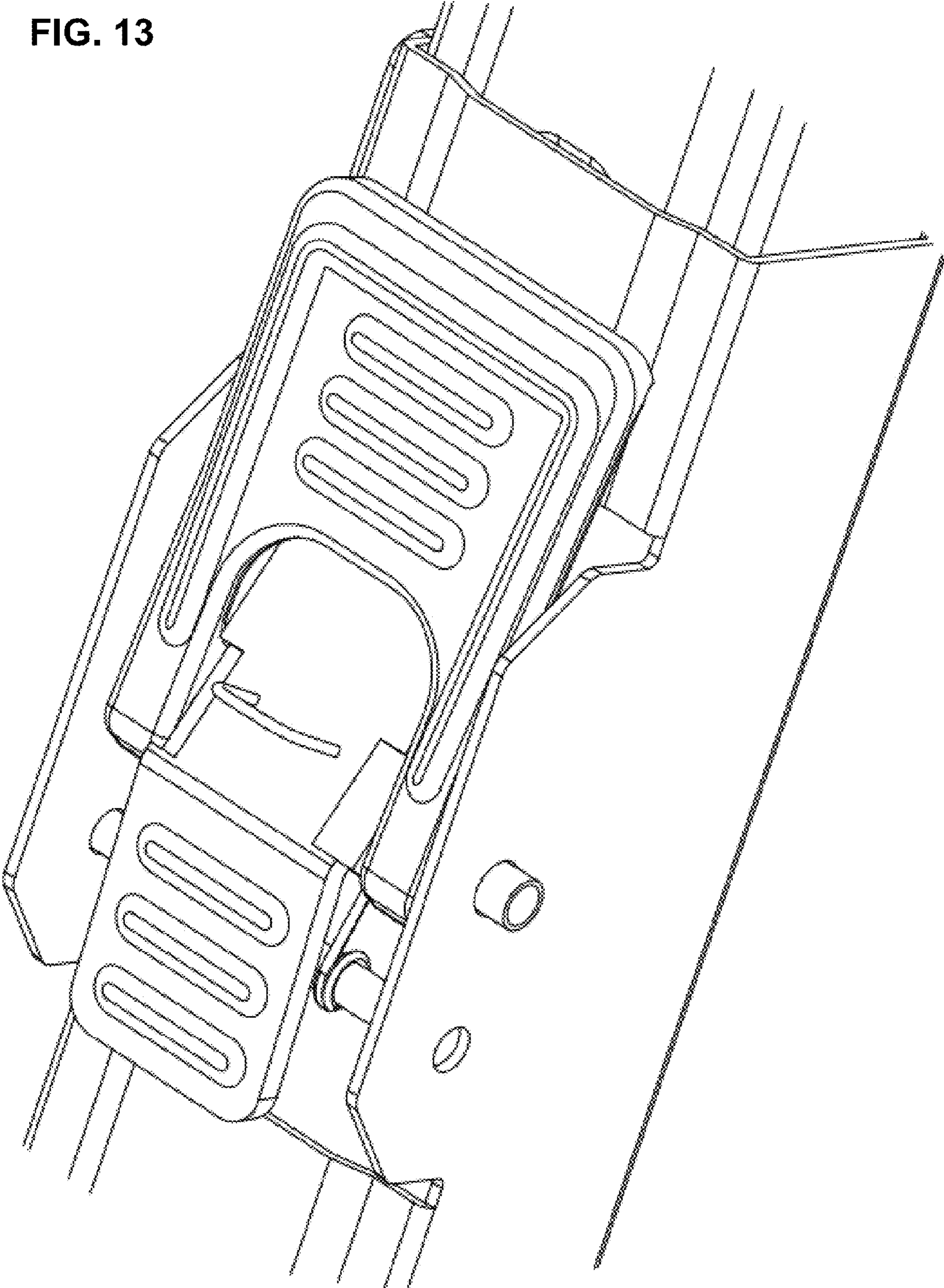


FIG. 12

FIG. 13



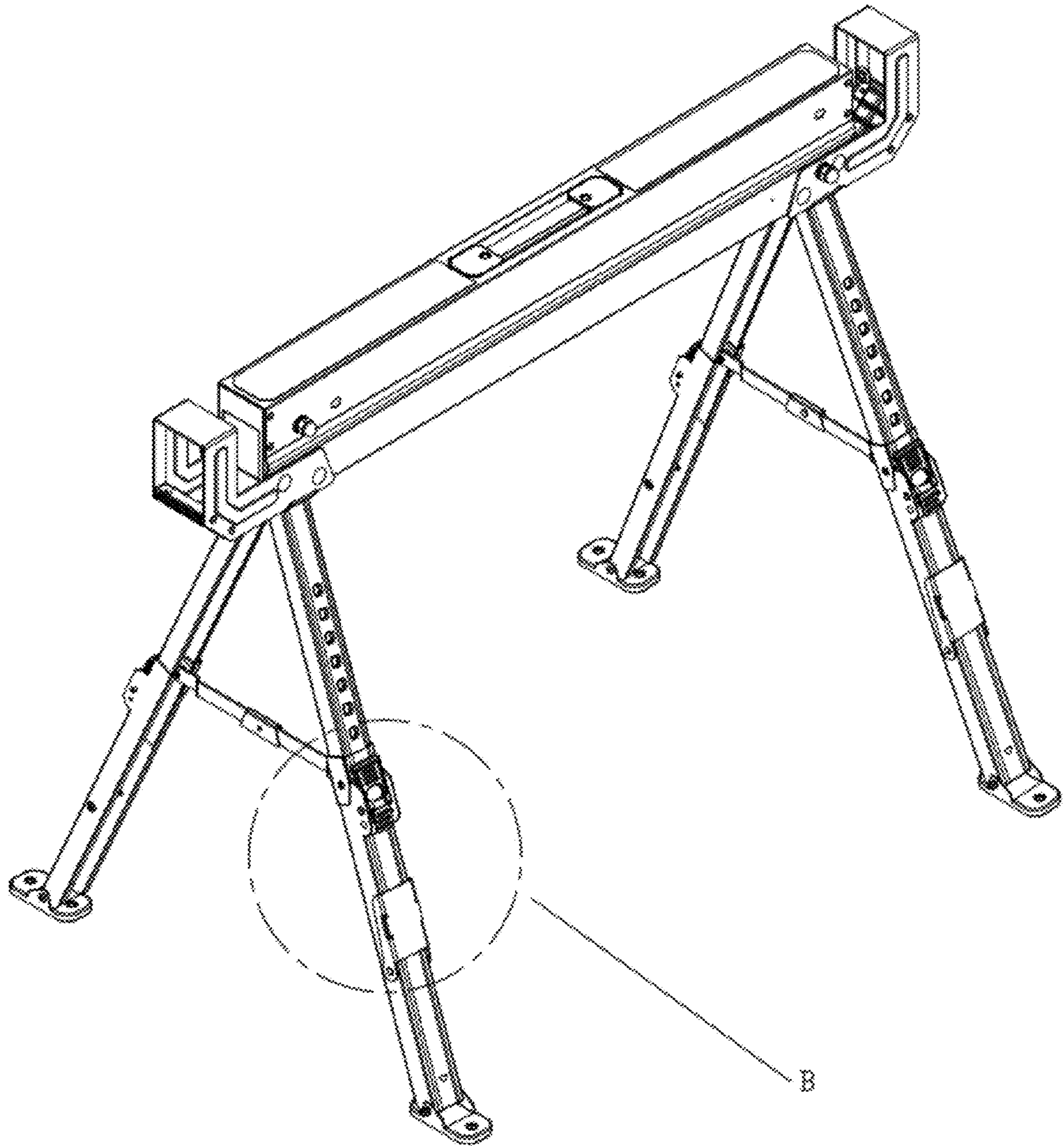


FIG. 14

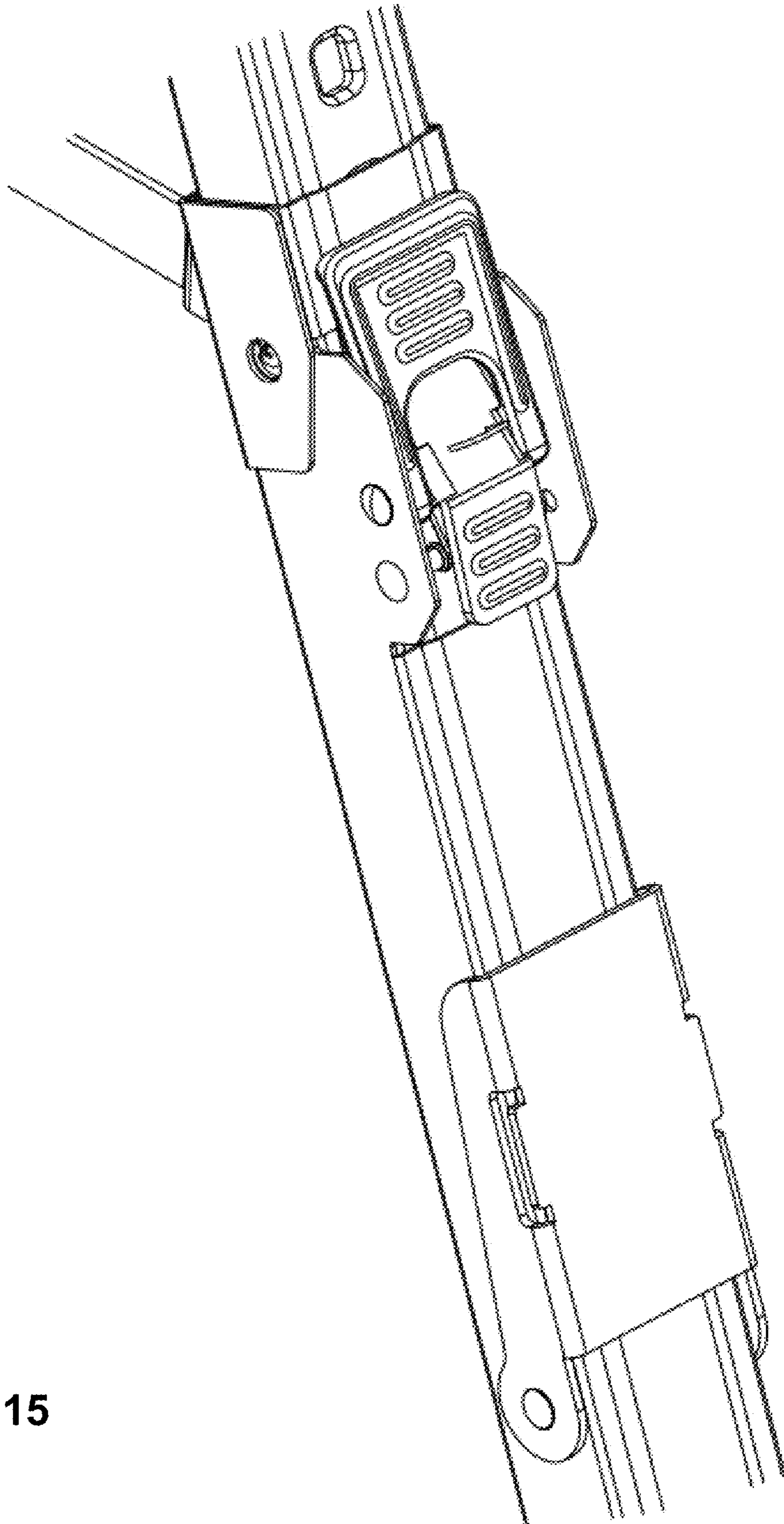


FIG. 15

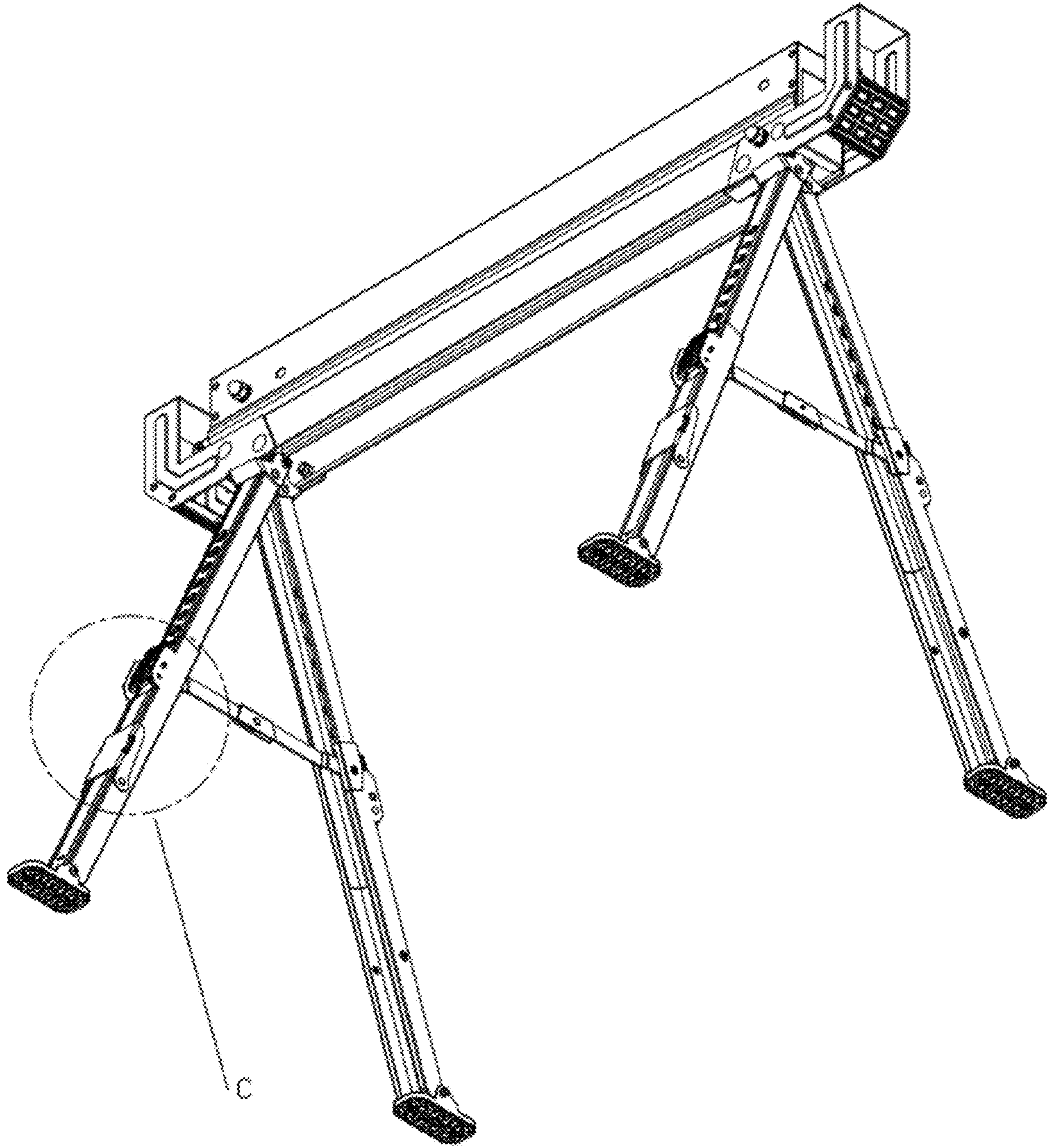


FIG. 16

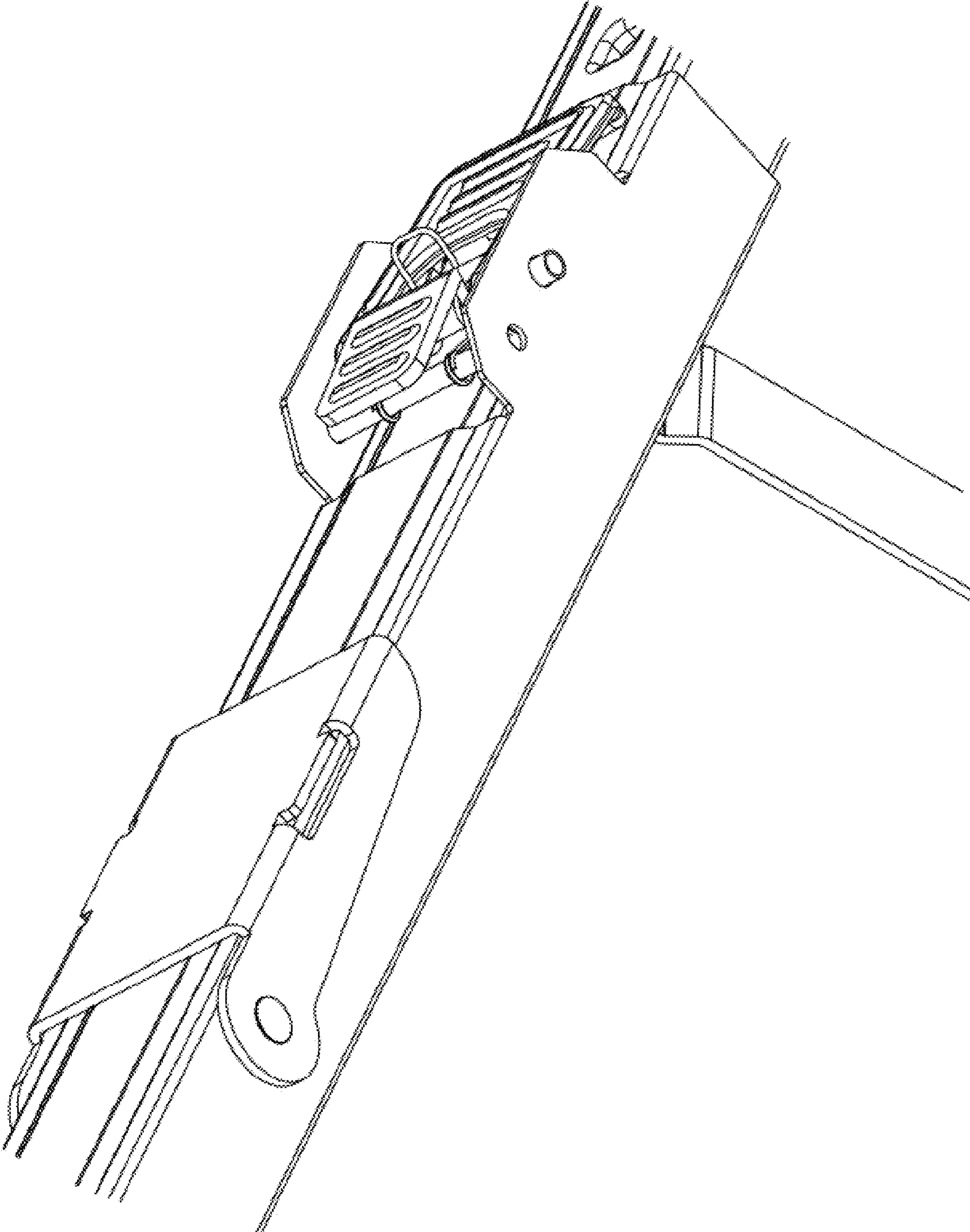


FIG. 17

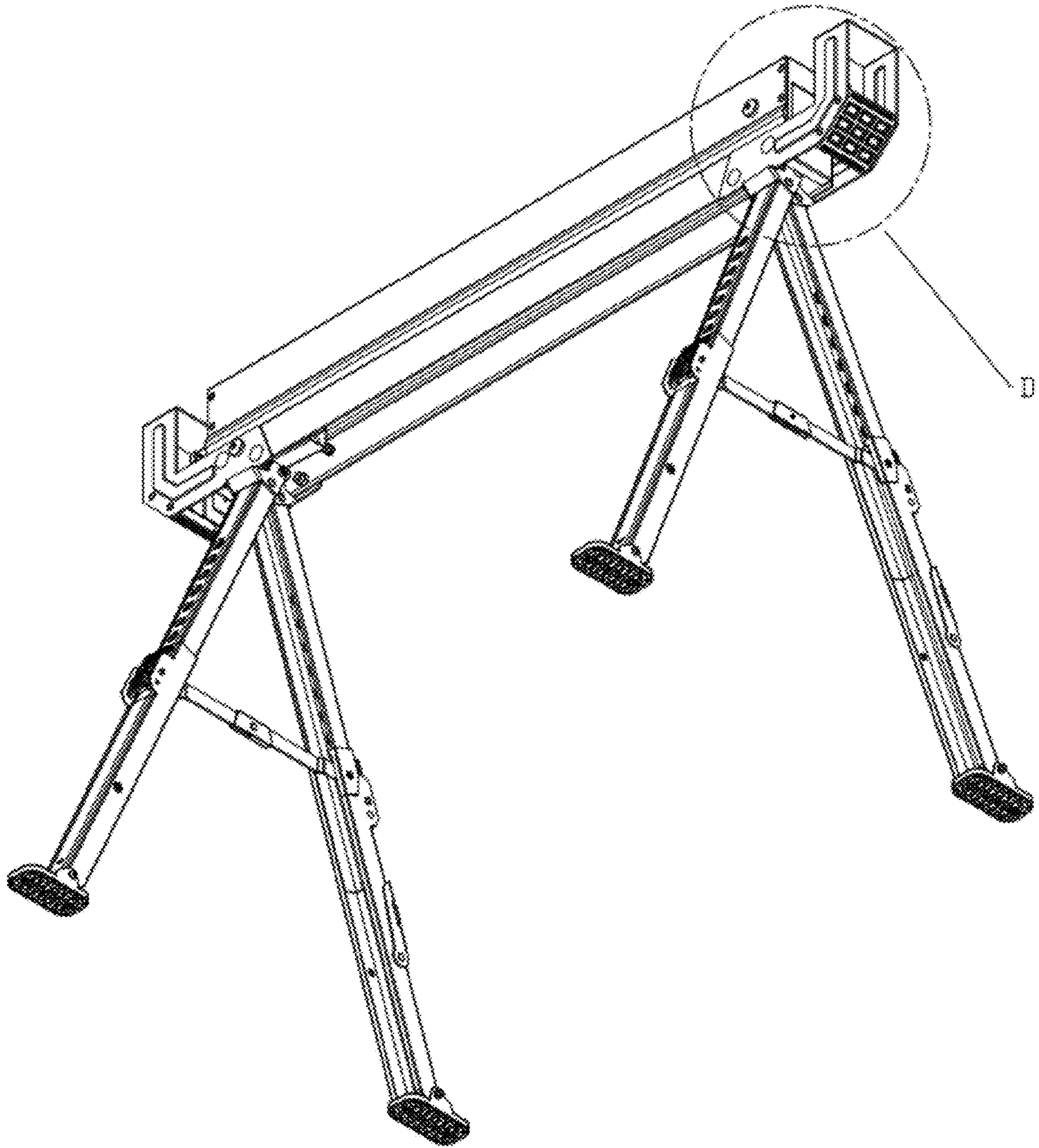


FIG. 18

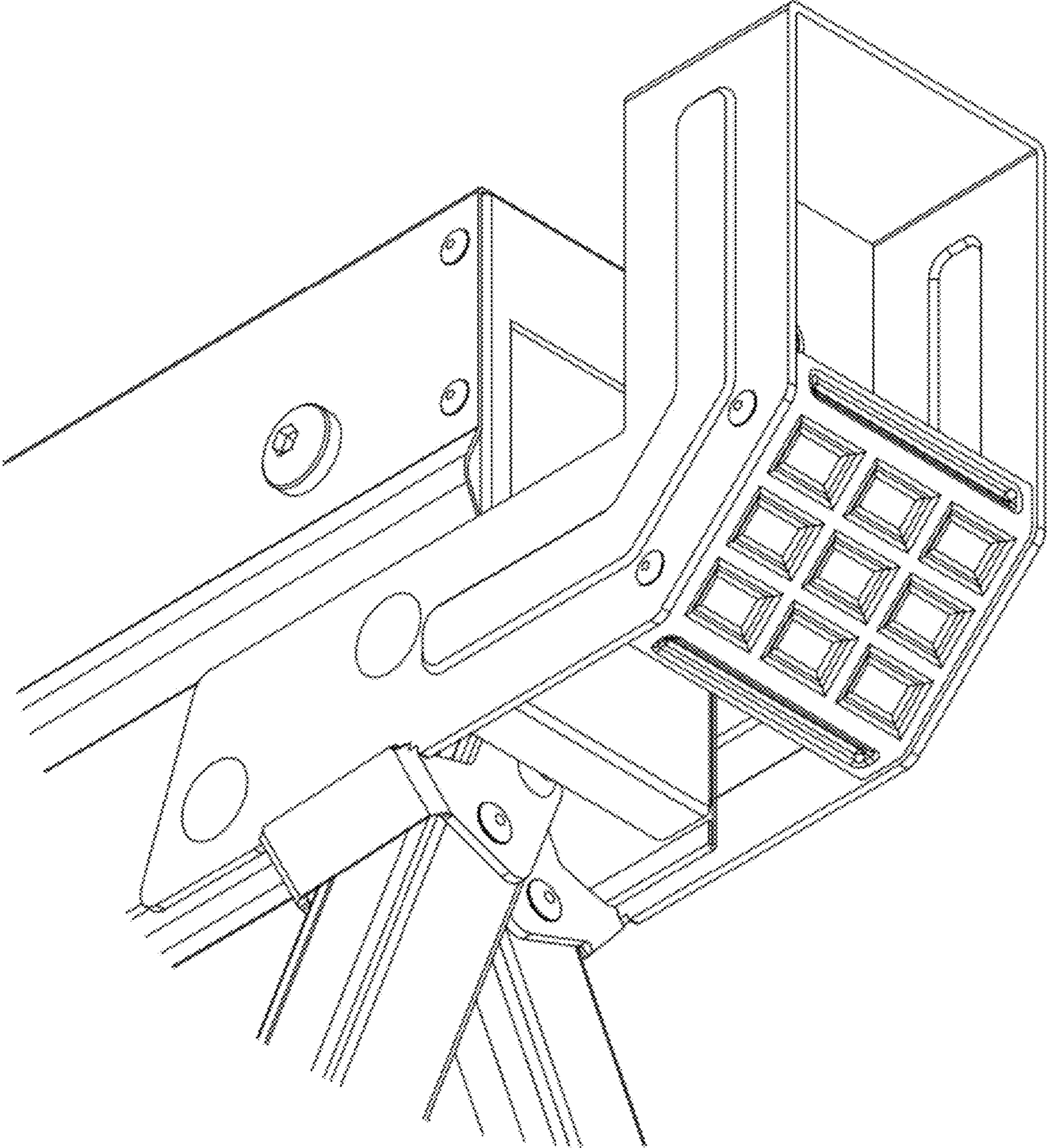


FIG. 19



FIG. 20