



US00D987113S

(12) **United States Design Patent**
Yao

(10) **Patent No.:** **US D987,113 S**
(45) **Date of Patent:** **** May 23, 2023**

- (54) **SWIMMING POOL**
- (71) Applicant: **Jiangsu Comco Outdoor Products Co., Ltd., Huai'an (CN)**
- (72) Inventor: **Liang Yao, Huai'an (CN)**
- (73) Assignee: **Jiangsu Comco Outdoor Products Co., Ltd., Huai'an (CN)**
- (**) Term: **15 Years**
- (21) Appl. No.: **29/862,819**
- (22) Filed: **Dec. 13, 2022**
- (51) **LOC (14) Cl.** **25-03**
- (52) **U.S. Cl.**
USPC **D25/2**
- (58) **Field of Classification Search**
USPC D21/815; D23/201-202, 277-280.3;
D24/201-205; D25/2; 4/491, 506;
52/169.7-169.8
CPC E04H 2001/1283; E04H 4/00; E04H
4/0018-0062; E04H 4/10-108; E04H
4/14-142; A61H 33/02; A61H 33/0087;
A61H 33/60
See application file for complete search history.

(56) **References Cited**

U.S. PATENT DOCUMENTS

- 2,378,159 A * 6/1945 Royer B65D 90/205
48/178
- D204,746 S * 5/1966 Teschner D25/44
- 3,268,917 A * 8/1966 Diamond E04H 4/00
220/668
- 3,276,043 A * 10/1966 Delia E04H 4/0062
217/17
- D206,750 S * 1/1967 Diamond et al. D25/2
- 3,488,782 A * 1/1970 Billig E04H 4/144
D25/2

- 3,497,877 A * 3/1970 Greenberg E04H 4/0037
472/117
- 3,504,382 A * 4/1970 Schatzki E04H 4/0018
D25/2
- 3,736,599 A * 6/1973 Kessler E04H 4/0043
D25/119
- 3,793,651 A * 2/1974 Pitti E04H 4/0018
52/169.7
- 3,869,736 A * 3/1975 Valois E04H 4/0043
4/506
- 3,877,085 A * 4/1975 Bukaitz E04H 4/0018
4/488
- 3,934,277 A * 1/1976 Quirouette E04H 4/0018
D25/2
- D239,702 S * 4/1976 Bukaitz et al. D25/2
- 3,955,220 A * 5/1976 Kessler E04H 4/0018
52/245
- D245,524 S * 8/1977 Friedlander D21/816

(Continued)

Primary Examiner — T Chase Nelson
Assistant Examiner — Sydney Margaret Parsley
(74) *Attorney, Agent, or Firm* — Jeenam Park

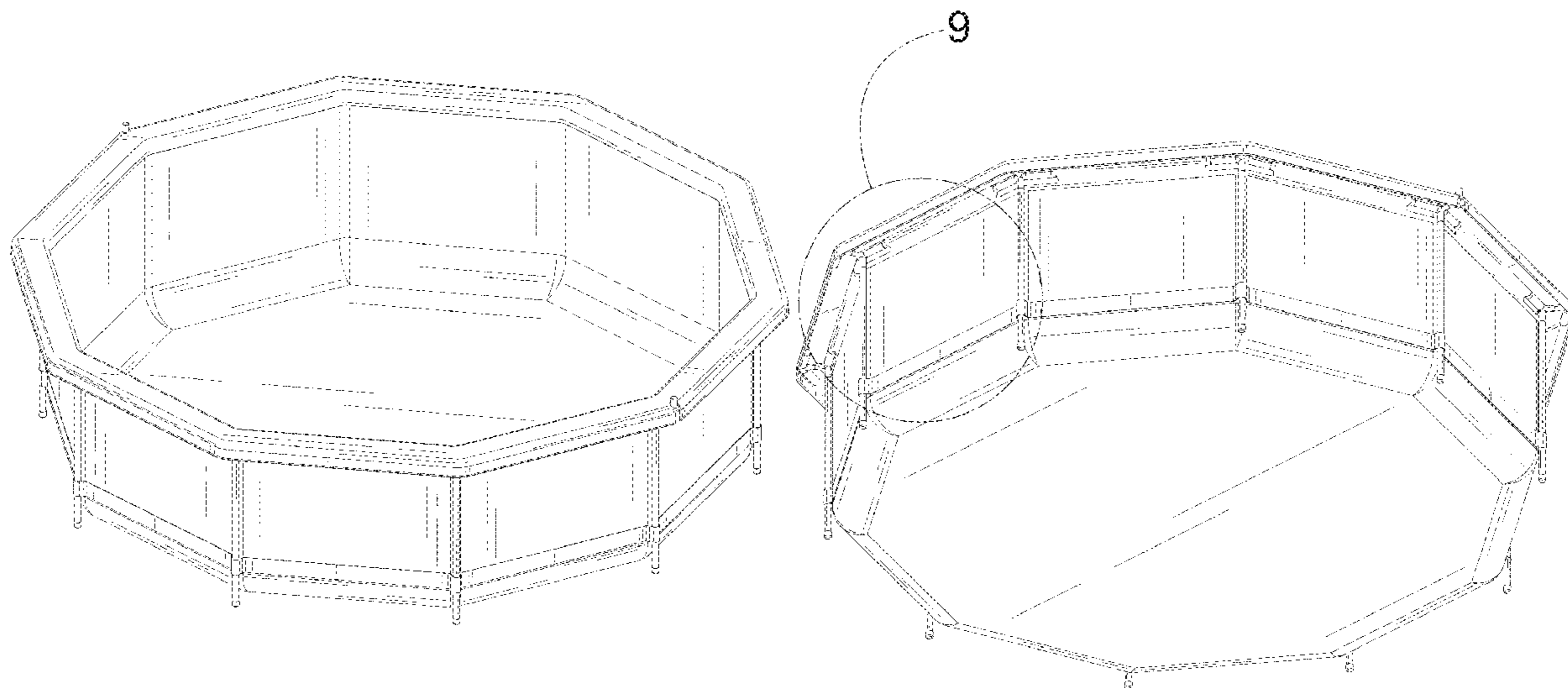
(57) **CLAIM**

The ornamental design for a swimming pool, as shown and described.

DESCRIPTION

FIG. 1 is a front, right and top perspective view of a swimming pool, showing my new design;
FIG. 2 is a rear, left and bottom perspective view thereof;
FIG. 3 is a front view thereof;
FIG. 4 is a rear view thereof;
FIG. 5 is a left side view thereof;
FIG. 6 is a right side view thereof;
FIG. 7 is a bottom plan view thereof;
FIG. 8 is a top plan view thereof; and,
FIG. 9 is an enlarged view of portion 9 shown in FIG. 2. The dot-dash broken lines depict the boundaries of the enlargements and form no part of the claimed design.

1 Claim, 9 Drawing Sheets



(56)

References Cited

U.S. PATENT DOCUMENTS

4,062,158 A * 12/1977 Kaufmann E04H 4/0018
52/71
4,223,498 A * 9/1980 Ventrice E04H 4/005
52/249
4,678,443 A * 7/1987 Edwards B63C 9/04
441/40
D294,389 S * 2/1988 Brodeur D24/205
4,750,894 A * 6/1988 Nealey B63C 9/04
441/40
4,847,926 A * 7/1989 Laputka E04H 4/005
220/495.01
D307,939 S * 5/1990 Laputka D25/2
5,010,603 A * 4/1991 Hertzog E04H 4/0043
4/488
5,054,135 A * 10/1991 Dallaire E04H 4/005
4/488
D342,322 S * 12/1993 Dallaire D25/119
5,592,702 A * 1/1997 Gillebaard, Jr. E04H 4/0056
4/585
D383,853 S * 9/1997 Enns D25/2
5,713,085 A * 2/1998 Enns E04H 4/0043
4/513
5,720,056 A * 2/1998 Aymes E04H 4/005
4/488
D408,546 S * 4/1999 Garreau D25/2
D409,707 S * 5/1999 Peterson D21/815
D420,146 S * 2/2000 Mussa D25/60
6,199,223 B1 * 3/2001 Sorokin E04H 4/14
4/488
6,272,696 B1 * 8/2001 Sobel E04H 4/005
4/506
6,647,562 B1 * 11/2003 Arout E04H 4/0043
4/584
7,188,747 B2 * 3/2007 Bennett B65D 90/205
220/9.2
7,918,764 B2 * 4/2011 VanElverdinghe .. A63B 71/022
482/29
8,164,448 B2 * 4/2012 Boudreau G08B 21/086
340/541
D675,339 S 1/2013 Kumpen
D697,635 S * 1/2014 Paxton D25/2

D697,636 S * 1/2014 Paxton D25/2
D733,322 S * 6/2015 Walczak D13/102
9,403,639 B2 * 8/2016 Bleile B65D 90/024
D772,421 S * 11/2016 Lin D21/815
D792,982 S * 7/2017 Lin D24/204
D793,575 S * 8/2017 Lin D24/204
D835,806 S * 12/2018 Huang D25/2
10,246,891 B2 * 4/2019 Huang E04H 4/0056
D874,021 S * 1/2020 Huang E04H 4/0018
D25/2
D884,104 S * 5/2020 Boller E04H 4/0043
D21/815
10,935,220 B2 * 3/2021 Lan F21S 4/20
D921,803 S * 6/2021 Kärkkäinen E04H 4/0018
D21/803
11,035,139 B2 * 6/2021 Huang E04H 4/005
D929,528 S 8/2021 Huang
D934,975 S * 11/2021 Boller E04H 4/0037
D21/815
11,199,211 B2 * 12/2021 Huang F16B 7/0486
D956,267 S * 6/2022 Zhang D21/815
11,357,346 B1 * 6/2022 Illulian A47G 9/062
D959,762 S * 8/2022 Liang D21/815
11,401,014 B2 * 8/2022 Reddy B63C 9/04
11,459,781 B2 * 10/2022 Huang E04H 4/0056
2002/0042947 A1 * 4/2002 Chang E04H 4/0056
4/506
2002/0042949 A1 * 4/2002 Lee E04H 4/0056
4/506
2005/0150039 A1 * 7/2005 Foy E04H 4/0018
4/506
2009/0144892 A1 * 6/2009 Brindle E04H 4/0025
4/506
2010/0031434 A1 * 2/2010 Tassone, Jr. E04H 4/0043
4/506
2010/0083437 A1 * 4/2010 Hui E04H 4/14
4/506
2014/0059760 A1 * 3/2014 Hendrick A01K 15/027
4/506
2015/0315804 A1 * 11/2015 Liu E04H 4/14
4/506
2016/0201348 A1 * 7/2016 Liu E04H 4/0056
4/506

* cited by examiner

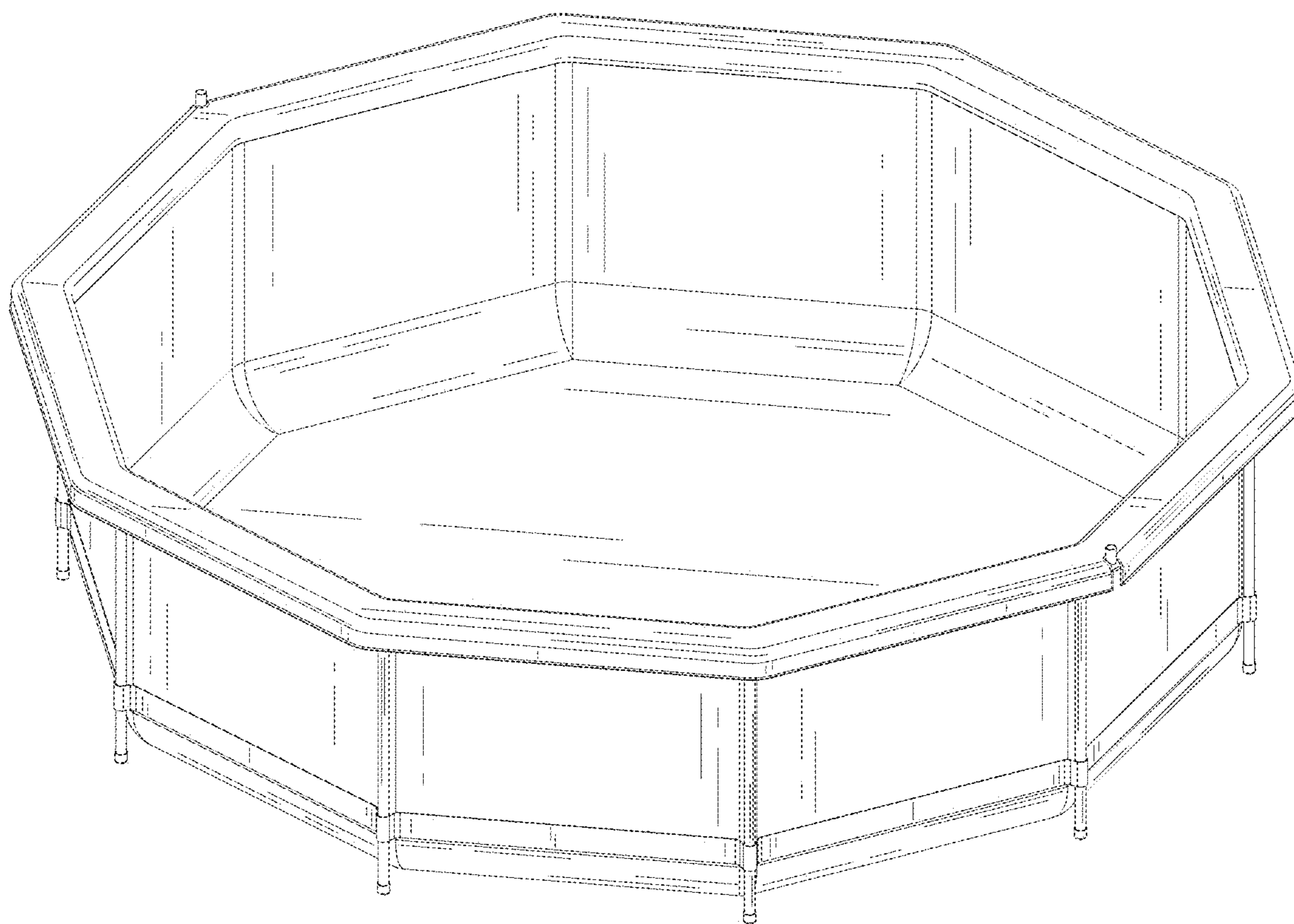


FIG. 1

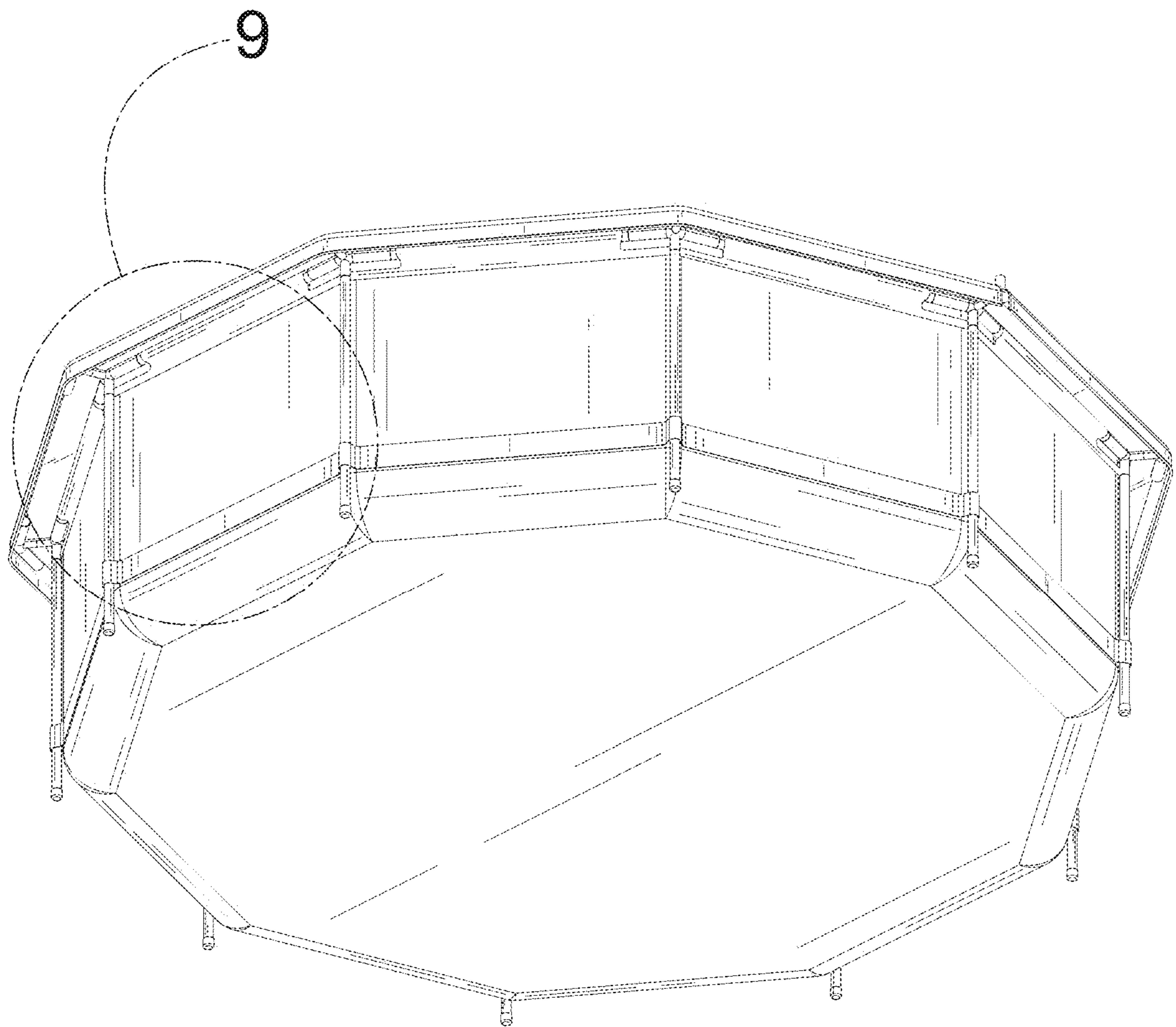


FIG. 2

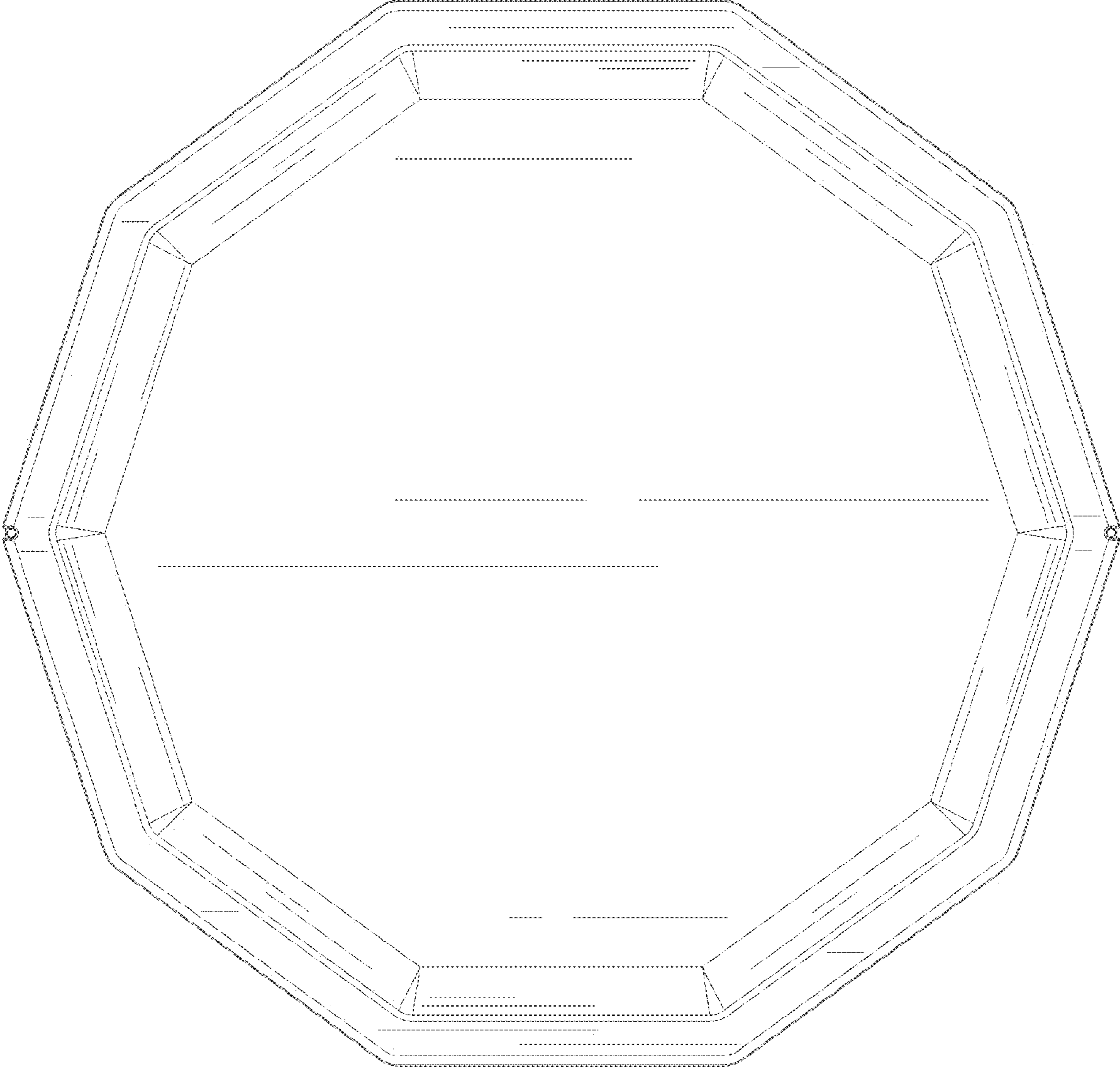


FIG. 3

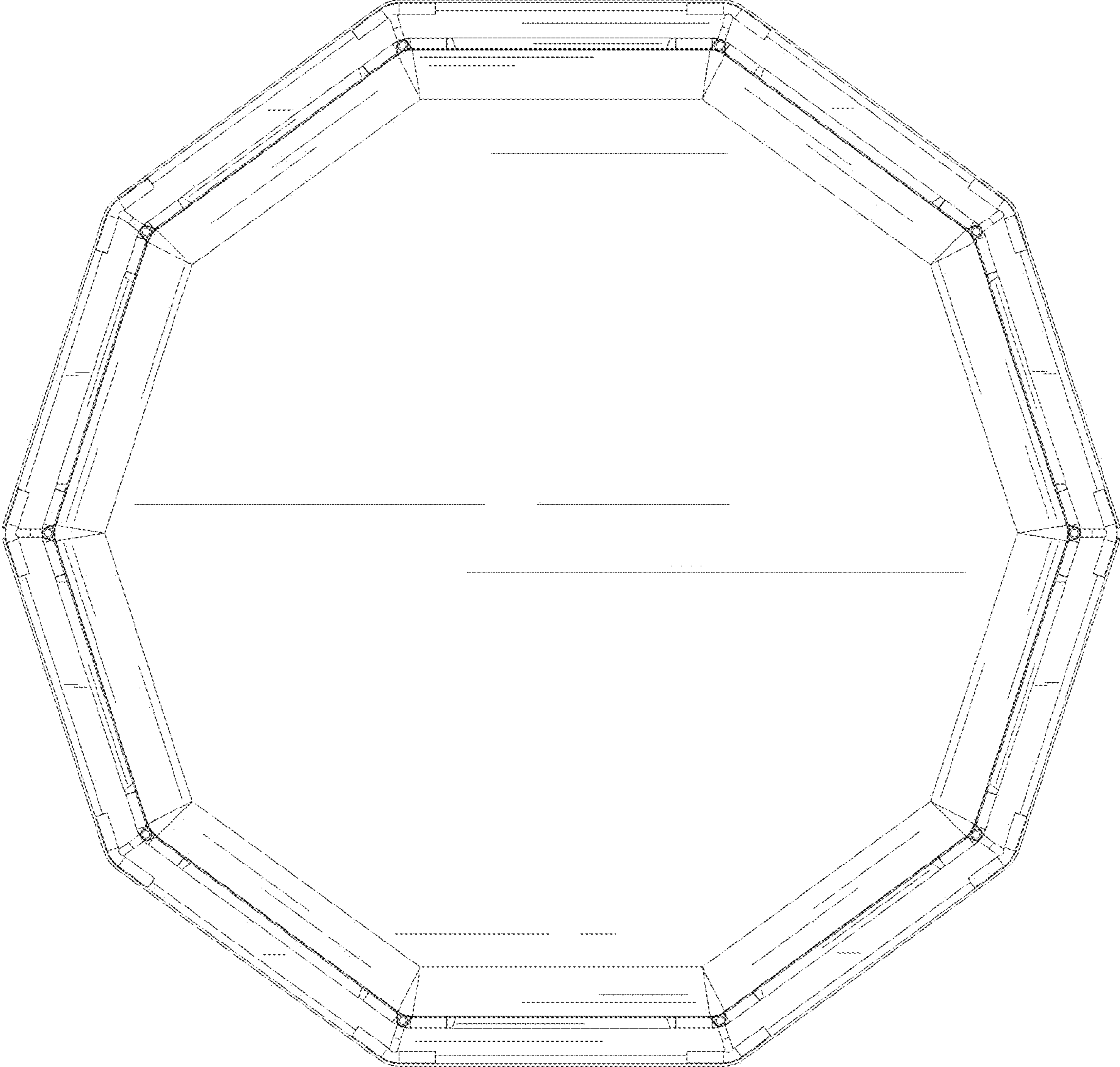


FIG. 4

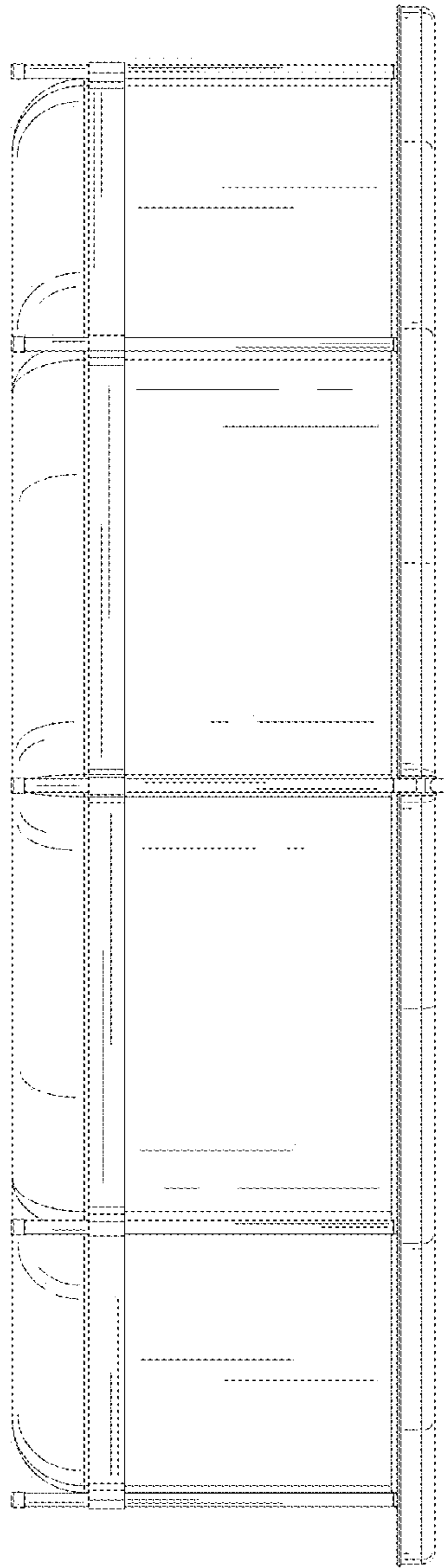


FIG. 5

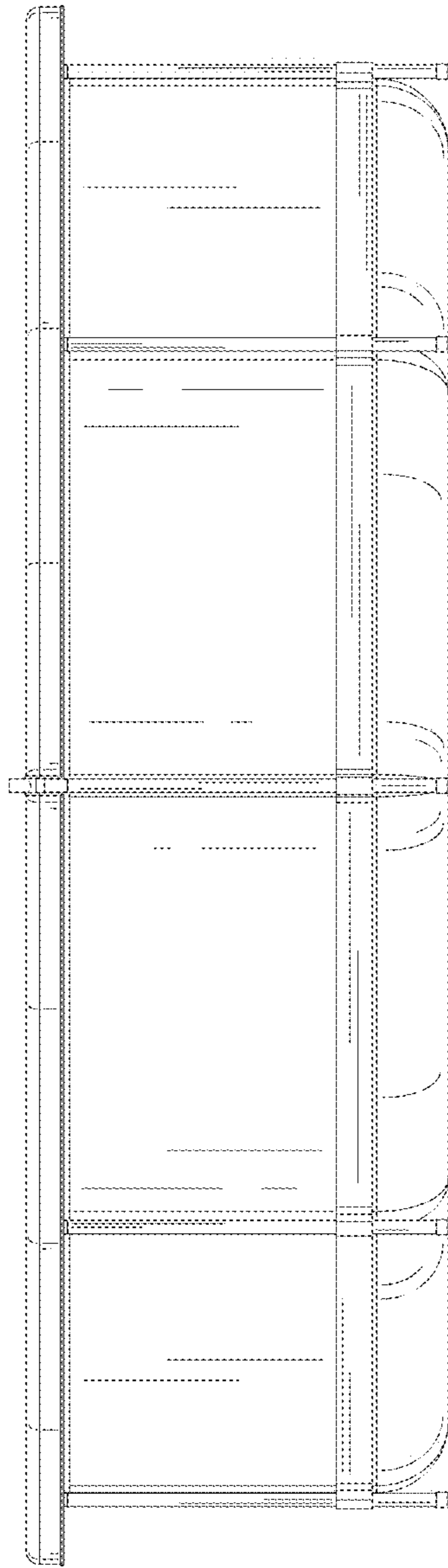


FIG. 6

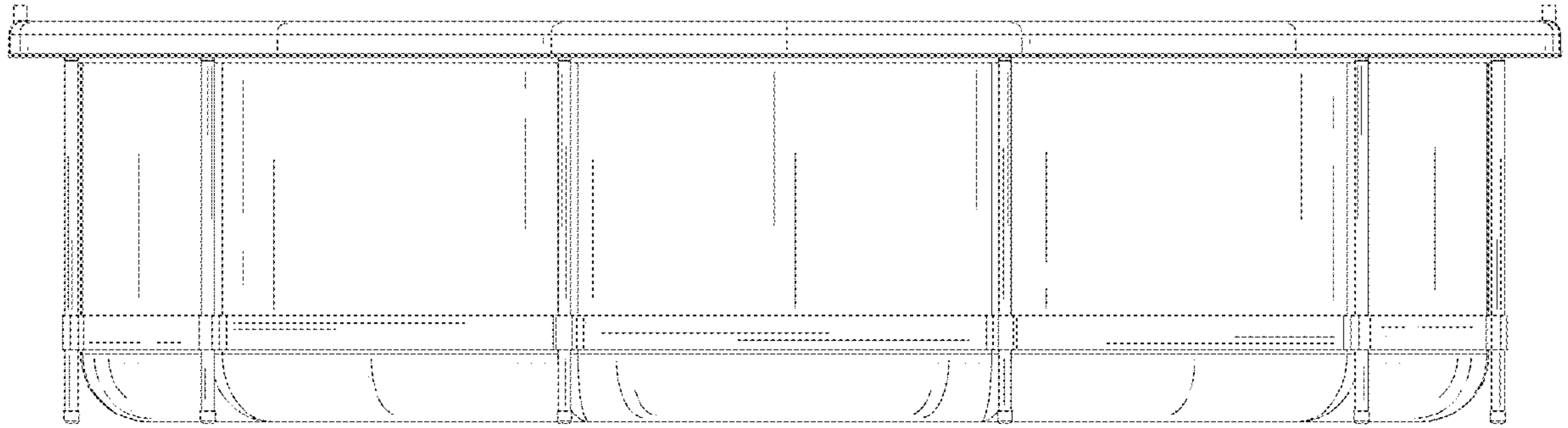


FIG. 7

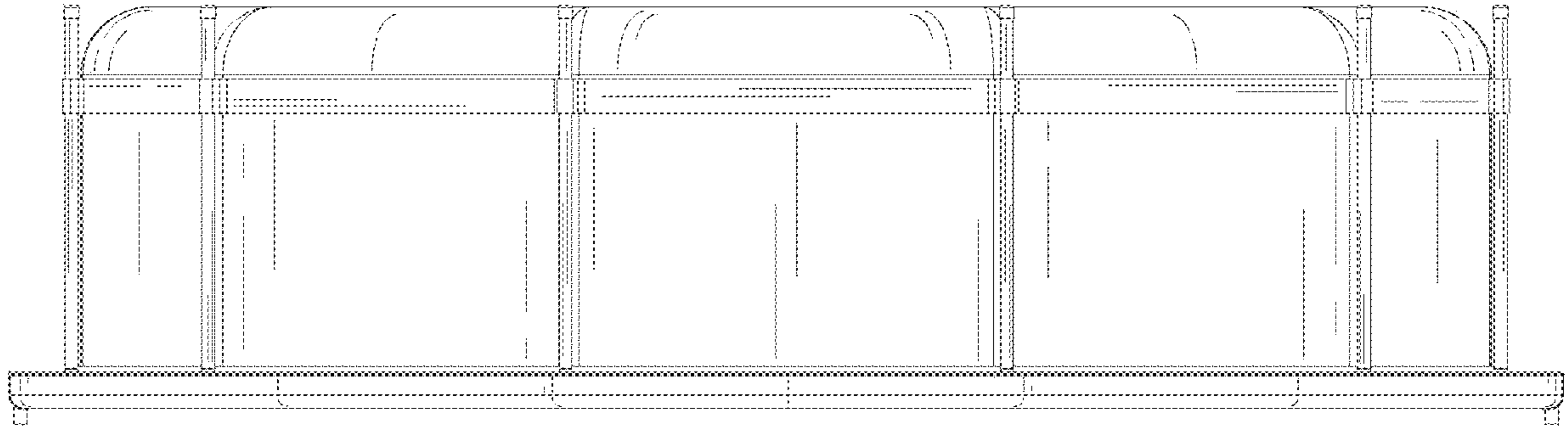


FIG. 8

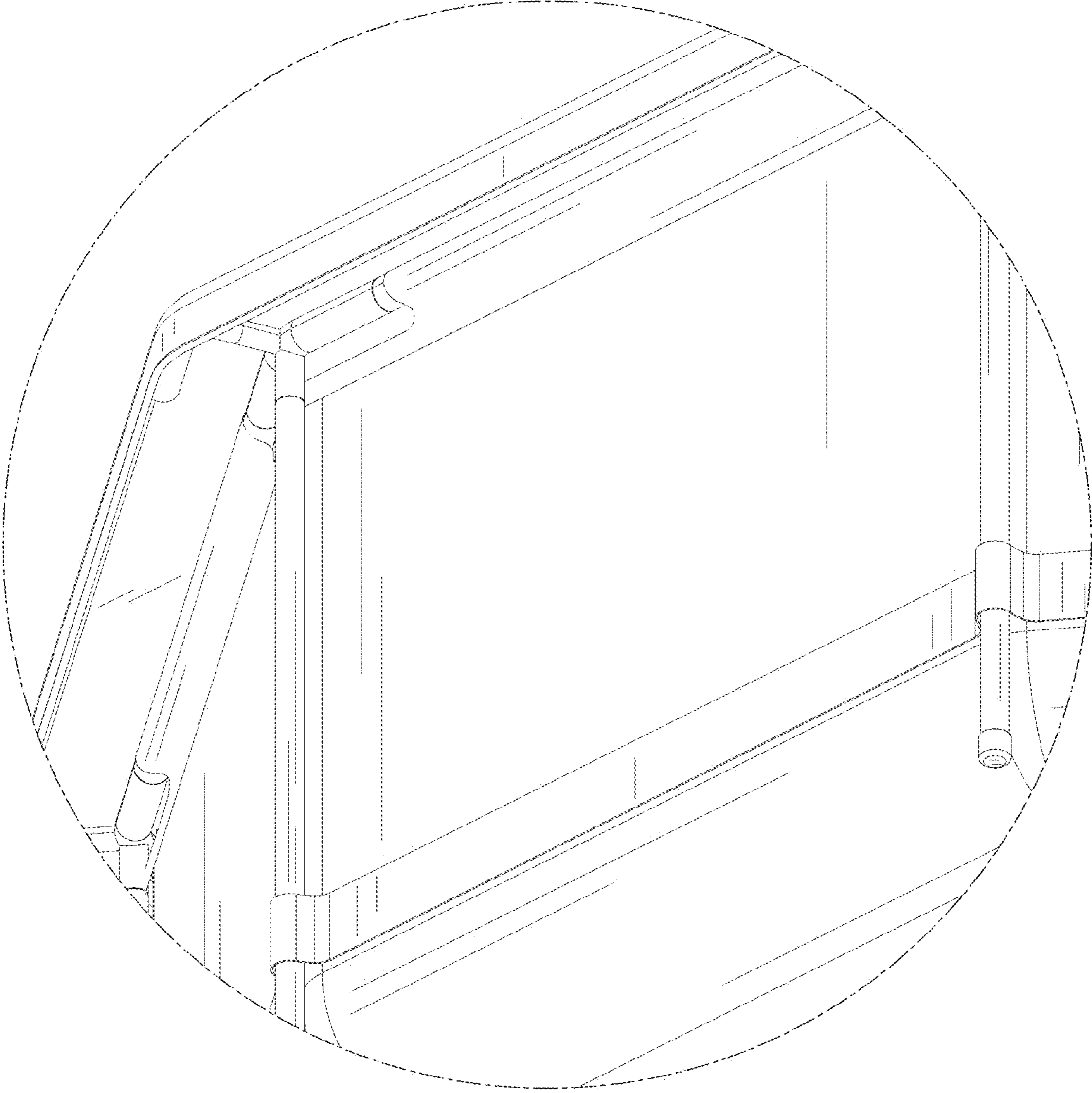


FIG. 9