



US00D987111S

(12) **United States Design Patent**  
**Trump**

(10) **Patent No.:** **US D987,111 S**

(45) **Date of Patent:** **\*\* \*May 23, 2023**

(54) **HOLDER FOR COVERSLIPS OR SPECIMEN SLIDES**

(71) Applicant: **Leica Biosystems Nussloch GmbH**,  
Nussloch (DE)

(72) Inventor: **Tobias Trump**, Frankenthal (DE)

(73) Assignee: **LEICA BIOSYSTEMS NUSSLOCH GmbH**, Nussloch (DE)

(\*) Notice: This patent is subject to a terminal disclaimer.

(\*\*) Term: **15 Years**

(21) Appl. No.: **29/773,396**

(22) Filed: **Mar. 9, 2021**

**Related U.S. Application Data**

(62) Division of application No. 29/658,002, filed on Jul. 26, 2018, now Pat. No. Des. 970,038.

(30) **Foreign Application Priority Data**

Mar. 15, 2018 (EM) ..... 004757896  
Jul. 16, 2018 (EM) ..... 005504214

(51) **LOC (14) Cl.** ..... **24-02**

(52) **U.S. Cl.**  
USPC ..... **D24/227**

(58) **Field of Classification Search**  
USPC ..... D24/216-232, 107, 108, 121, 162, 169,  
D24/186, 233, 234; D10/81  
CPC ..... G01N 2001/315; B01L 3/508; B01L 9/52;  
B01L 2300/0822  
See application file for complete search history.

(56) **References Cited**

**U.S. PATENT DOCUMENTS**

8,288,086 B2 \* 10/2012 Metzner ..... G01N 1/31  
435/3  
D676,571 S \* 2/2013 Wilson ..... D24/224

D701,972 S \* 4/2014 Ohmae ..... D24/229  
D720,470 S \* 12/2014 Lober ..... D24/227  
9,389,154 B2 \* 7/2016 Knorr ..... B01L 3/5457  
D799,058 S \* 10/2017 Kennedy ..... D24/227  
D802,787 S \* 11/2017 Shanafelter ..... D24/227  
D804,682 S \* 12/2017 Taylor ..... D24/225  
D806,574 S \* 1/2018 Ozenne ..... D9/737  
D815,752 S \* 4/2018 Jackson ..... D24/224  
D817,511 S \* 5/2018 Taylor ..... D24/225  
D818,604 S \* 5/2018 Smith ..... D24/229  
D862,727 S \* 10/2019 Hart ..... D24/224  
D865,215 S \* 10/2019 Dangelo ..... D24/224

(Continued)

*Primary Examiner* — Mary Shannon Malley

(74) *Attorney, Agent, or Firm* — Cozen O'Connor

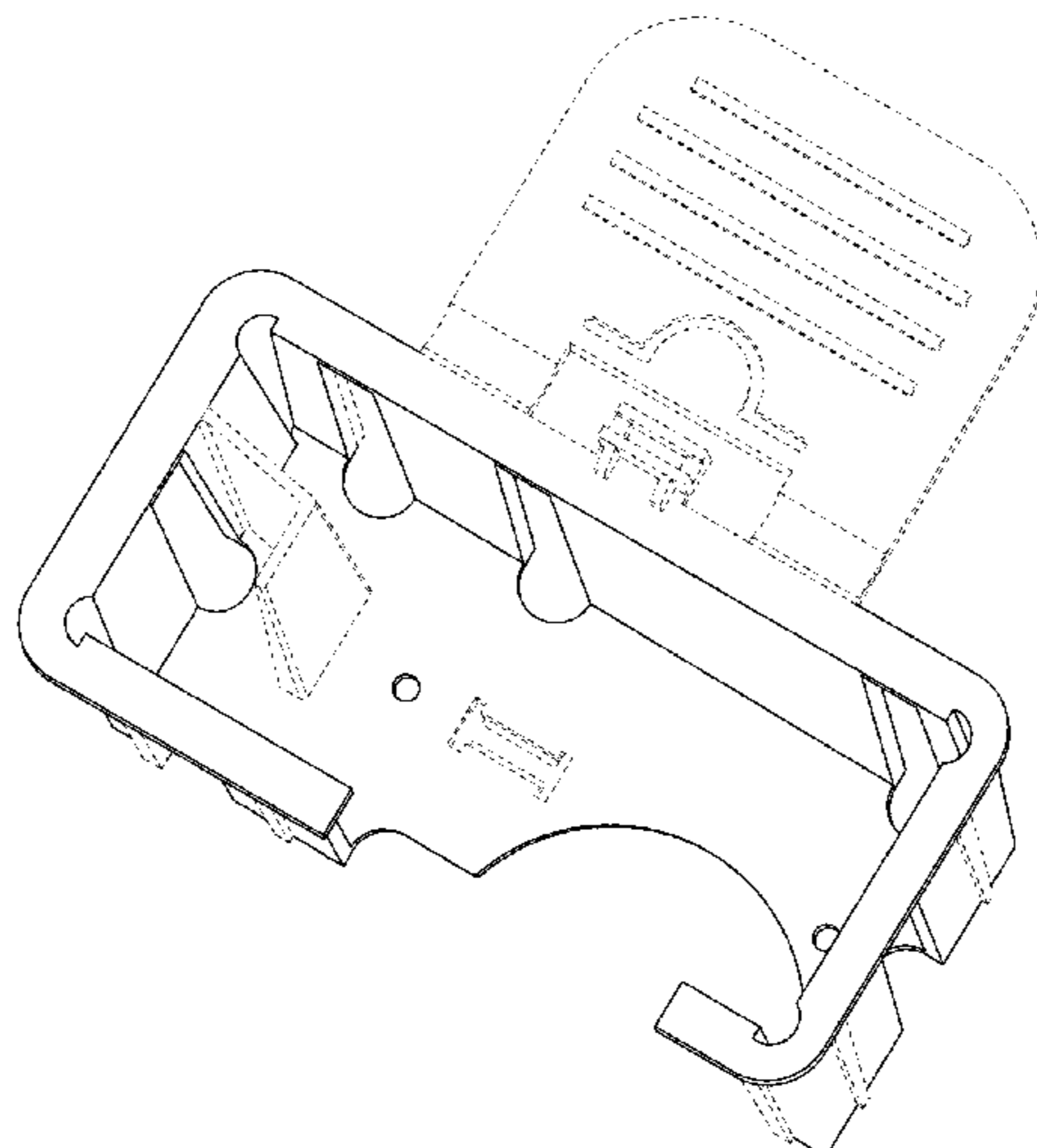
(57) **CLAIM**

The ornamental design for a holder for coverslips or specimen slides, as shown and described.

**DESCRIPTION**

FIG. 1 is a top perspective view of a holder for coverslips or specimen slides;  
FIG. 2 is a front view of the holder for coverslips or specimen slides of FIG. 1;  
FIG. 3 is a rear view of the holder for coverslips or specimen slides of FIG. 1;  
FIG. 4 is a left view of the holder for coverslips or specimen slides of FIG. 1;  
FIG. 5 is a right view of the holder for coverslips or specimen slides of FIG. 1;  
FIG. 6 is a top view of the holder for coverslips or specimen slides of FIG. 1; and,  
FIG. 7 is a bottom view of the holder for coverslips or specimen slides of FIG. 1.  
The broken lines illustrate portions of the holder for coverslips or specimen slides that form no part of the claimed design.

**1 Claim, 7 Drawing Sheets**



(56)

**References Cited**

U.S. PATENT DOCUMENTS

D871,611 S \* 12/2019 Lamerton ..... D24/229  
2014/0234182 A1\* 8/2014 Motadel ..... B01L 9/543  
422/526  
2015/0260621 A1\* 9/2015 Scott ..... B01L 9/52  
435/7.1  
2019/0316993 A1\* 10/2019 Lupo ..... G01N 1/31

\* cited by examiner

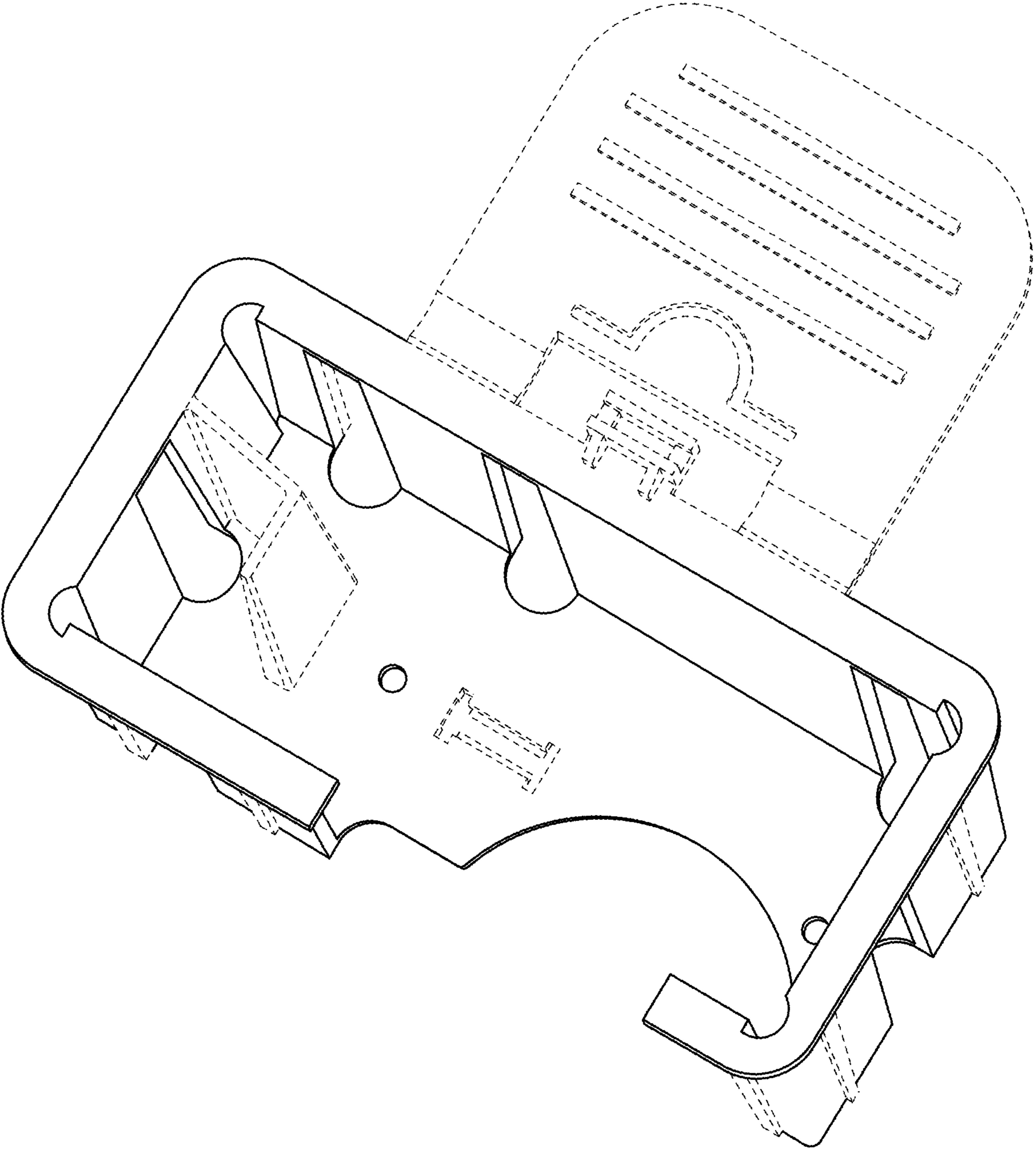


FIG. 1

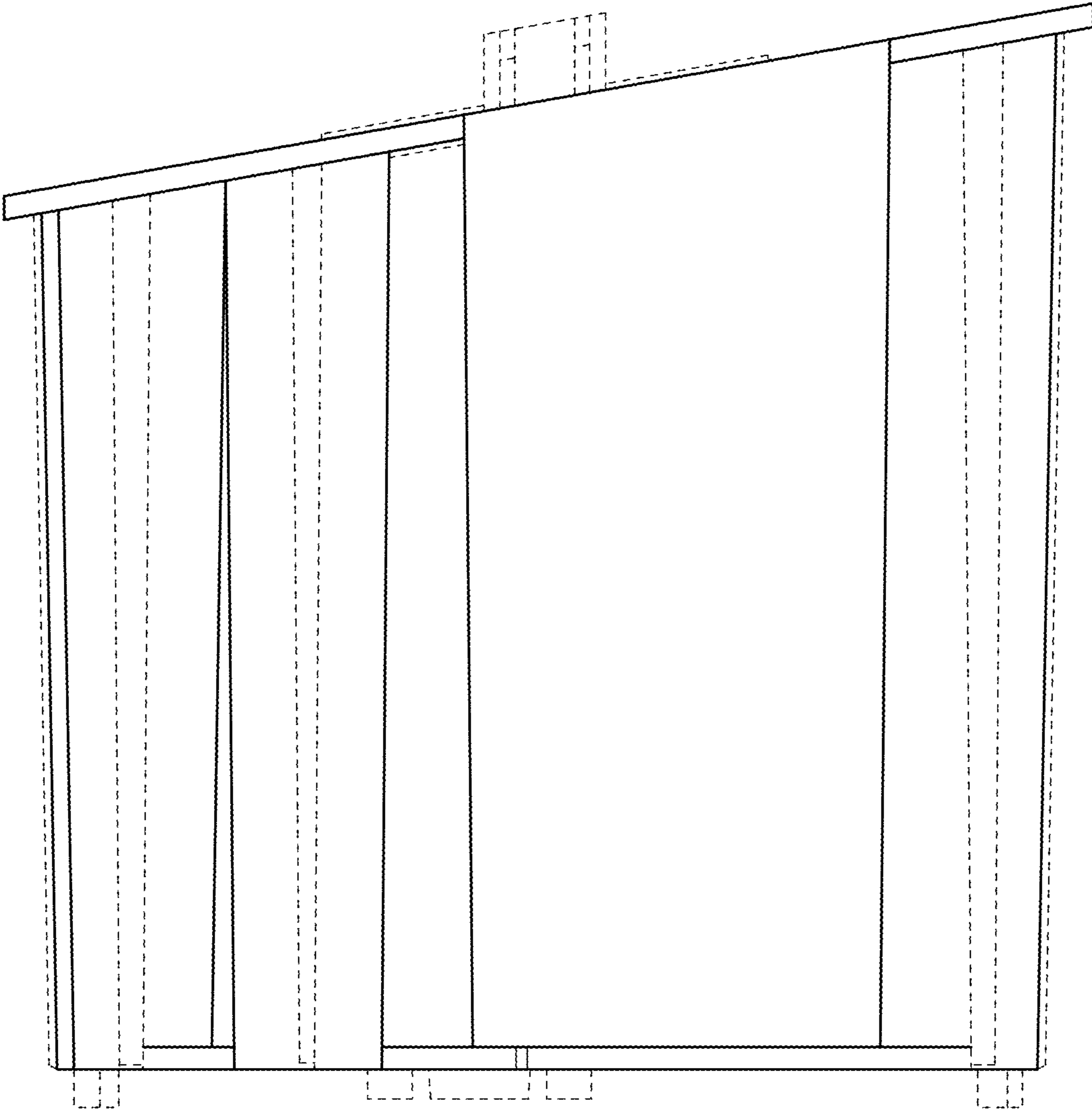


FIG. 2

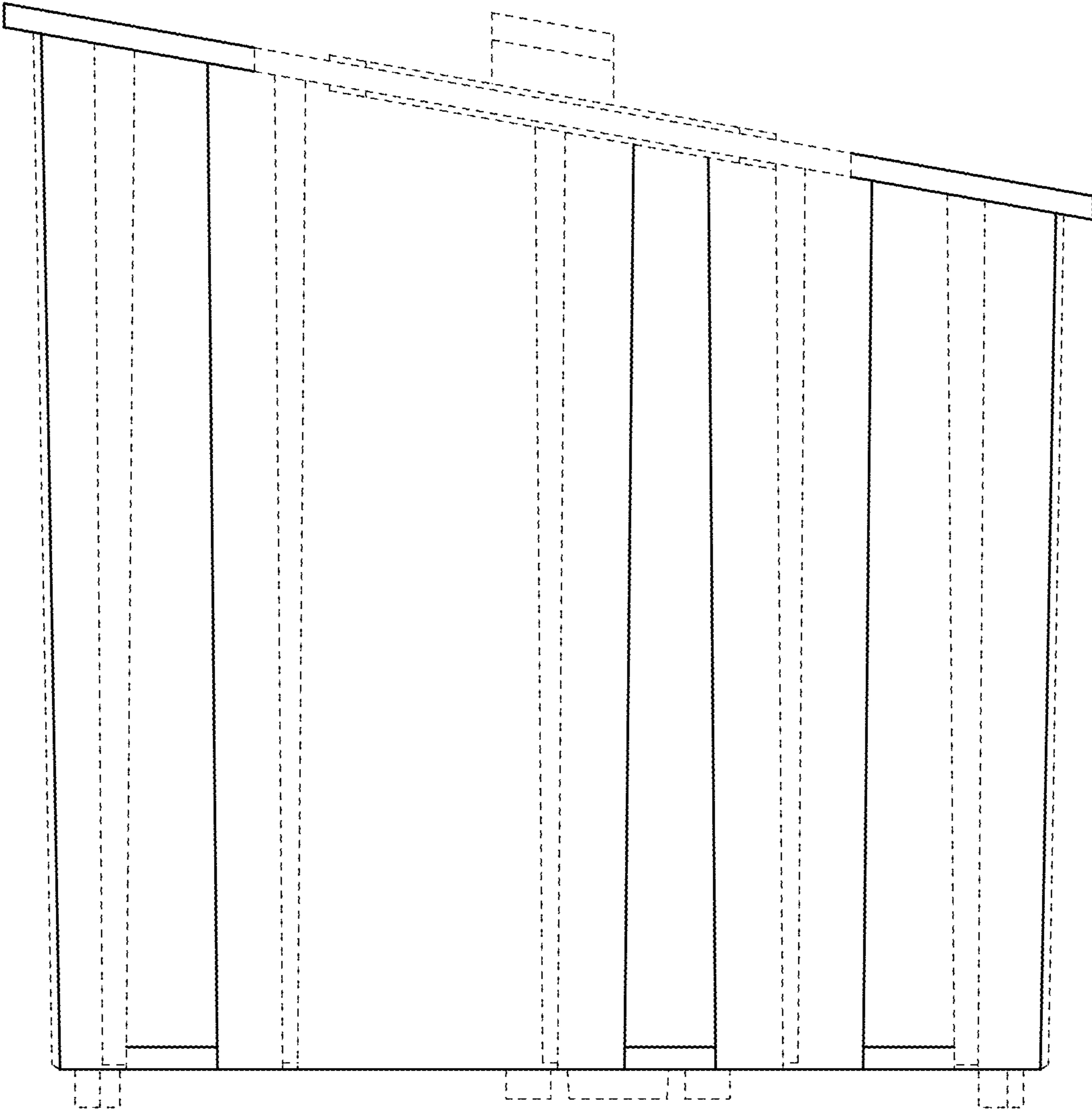


FIG. 3

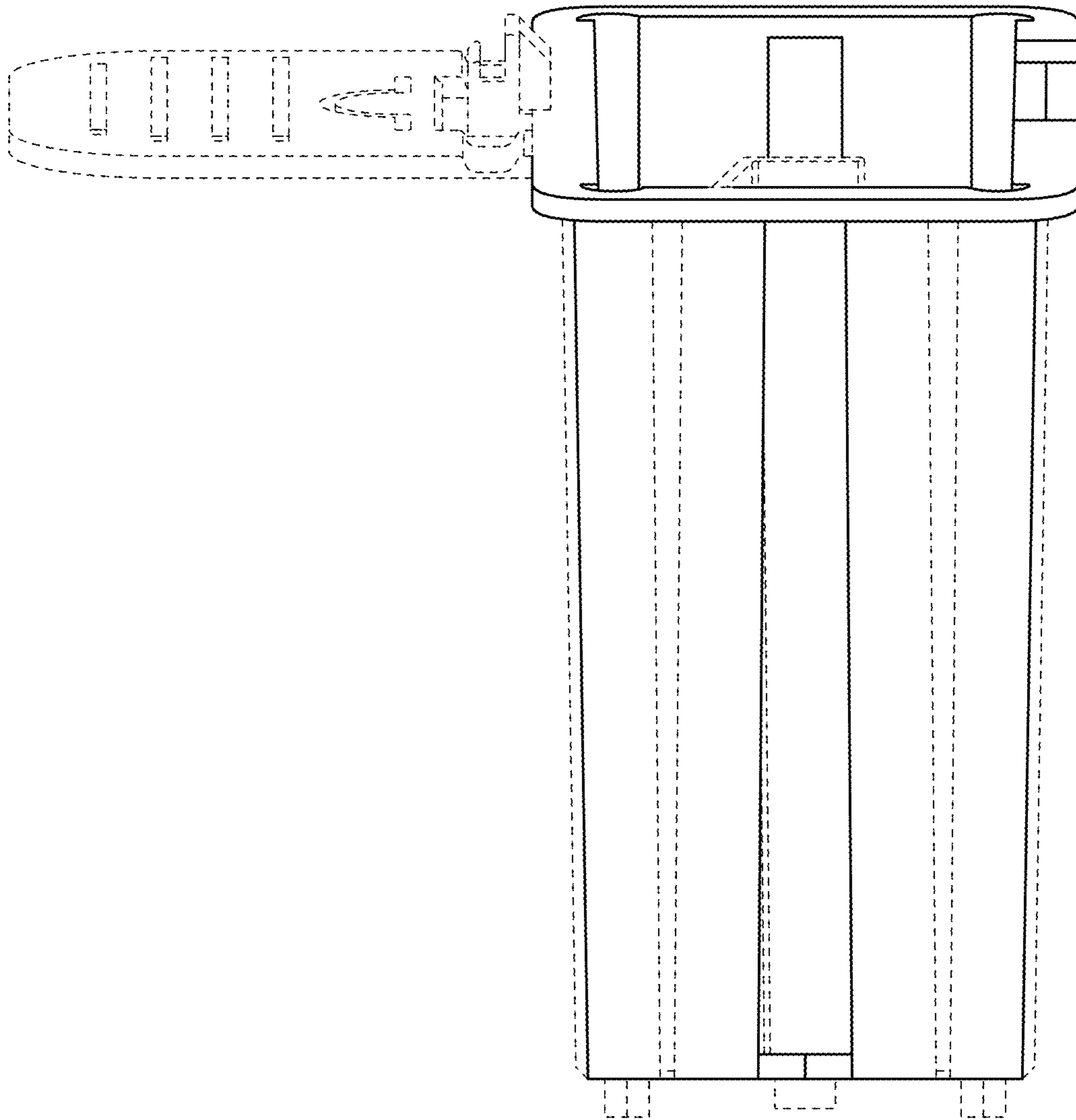


FIG. 4



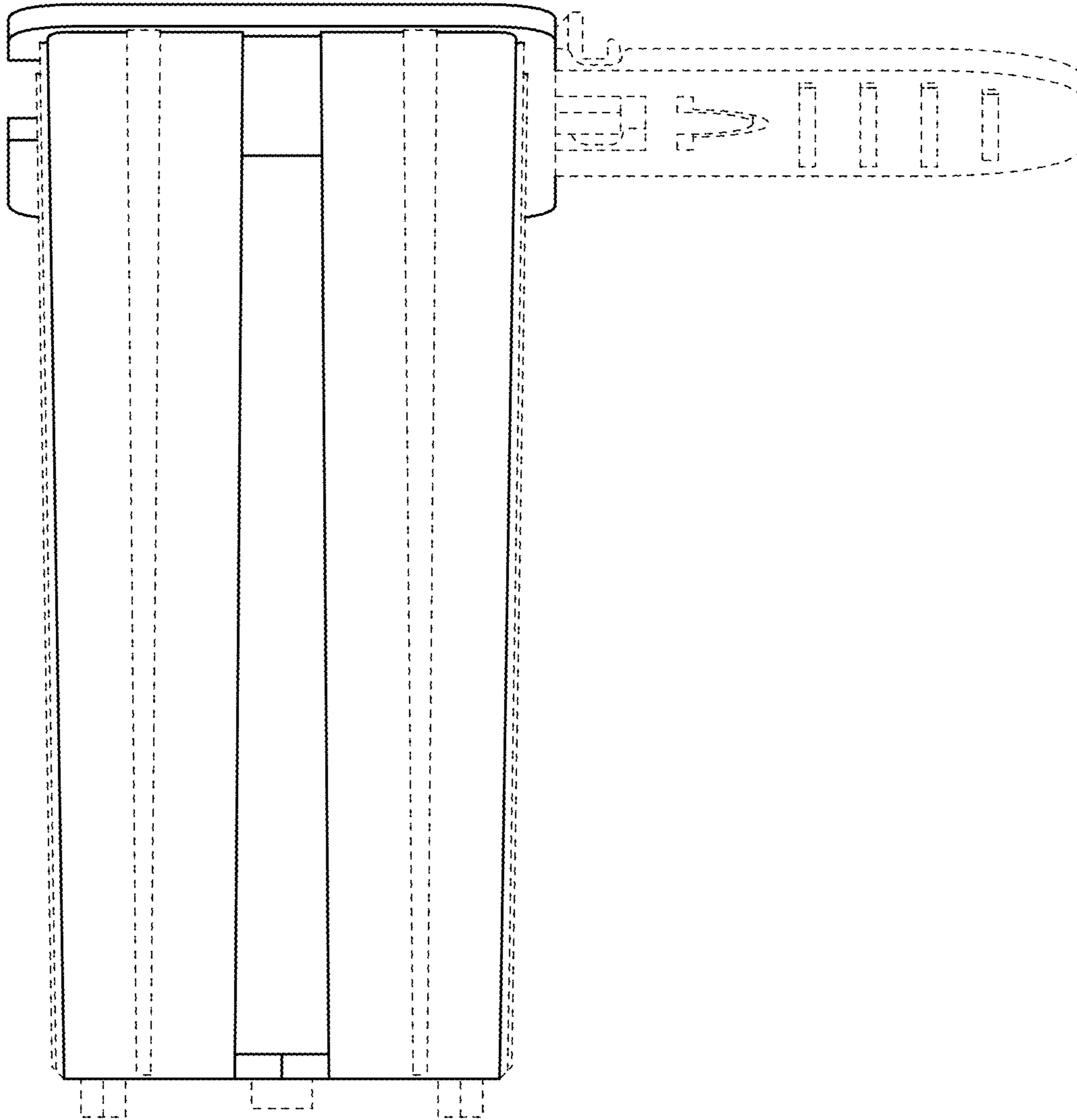


FIG. 5

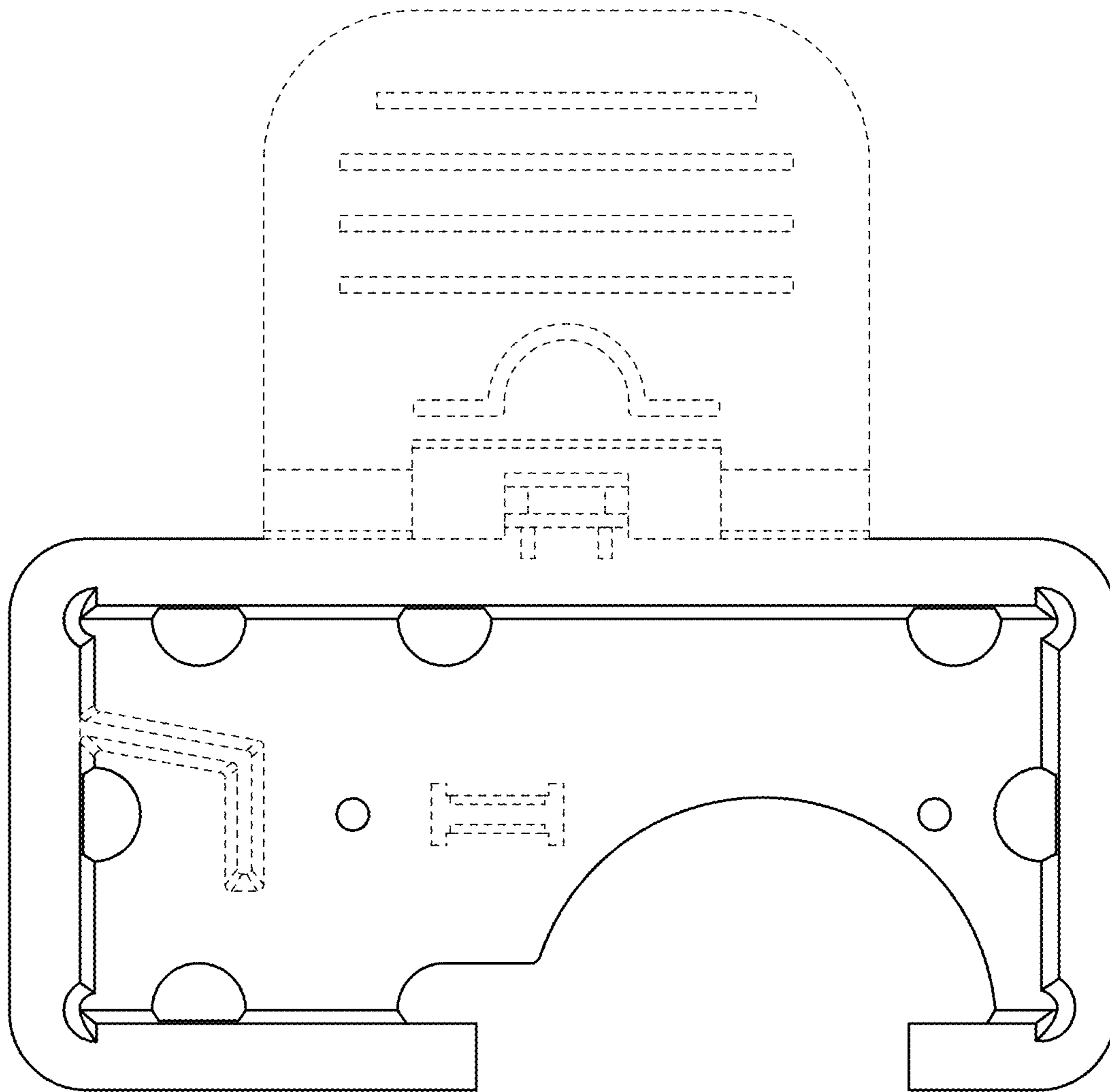


FIG. 6



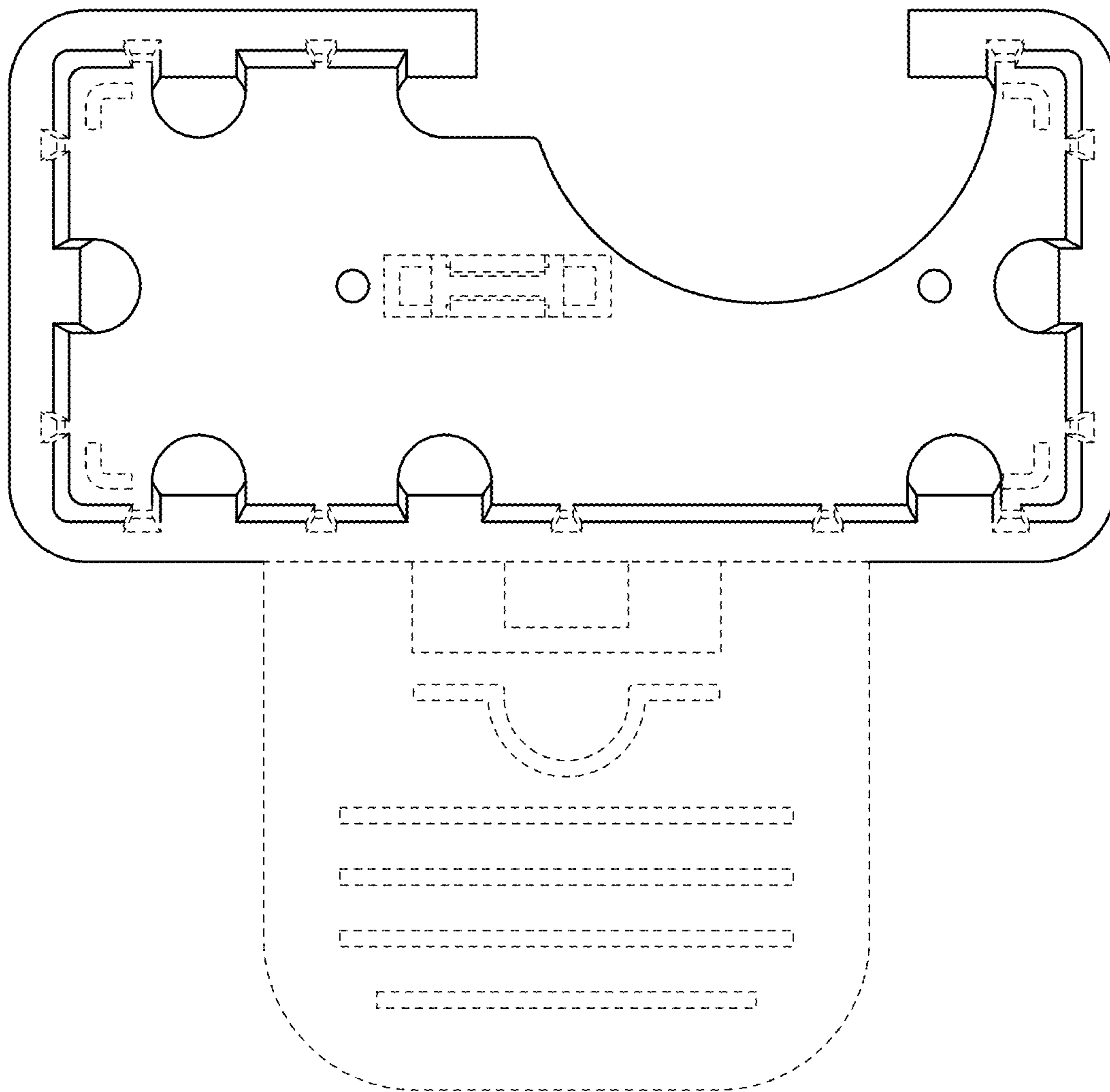


FIG. 7