



US00D987110S

(12) **United States Design Patent**
Trump

(10) **Patent No.:** **US D987,110 S**

(45) **Date of Patent:** **** May 23, 2023**

(54) **HOLDER FOR COVERSLIPS OR SPECIMEN SLIDES**

(71) Applicant: **Leica Biosystems Nussloch GmbH**,
Nussloch (DE)

(72) Inventor: **Tobias Trump**, Frankenthal (DE)

(73) Assignee: **LEICA BIOSYSTEMS NUSSLOCH GmbH**,
Nussloch (DE)

(**) Term: **15 Years**

(21) Appl. No.: **29/658,007**

(22) Filed: **Jul. 26, 2018**

(30) **Foreign Application Priority Data**

Mar. 15, 2018 (EM) 004757896
Jul. 16, 2018 (EM) 005504214

(51) **LOC (14) Cl.** **24-02**

(52) **U.S. Cl.**
USPC **D24/227**

(58) **Field of Classification Search**
USPC D24/216–232, 107, 108, 121, 162, 169,
D24/186, 233, 234; D10/81
CPC G01N 2001/315; B01L 3/508; B01L 9/52;
B01L 2300/0822
See application file for complete search history.

(56) **References Cited**

U.S. PATENT DOCUMENTS

D676,571 S * 2/2013 Wilson D24/224
D701,972 S * 4/2014 Ohmae D24/229
D720,470 S * 12/2014 Lober D24/227
9,389,154 B2 * 7/2016 Knorr G01N 1/31
D799,058 S * 10/2017 Kennedy D24/227
D802,787 S * 11/2017 Shanafelter D24/227

(Continued)

Primary Examiner — Mary Shannon Malley

(74) *Attorney, Agent, or Firm* — Cozen O'Connor

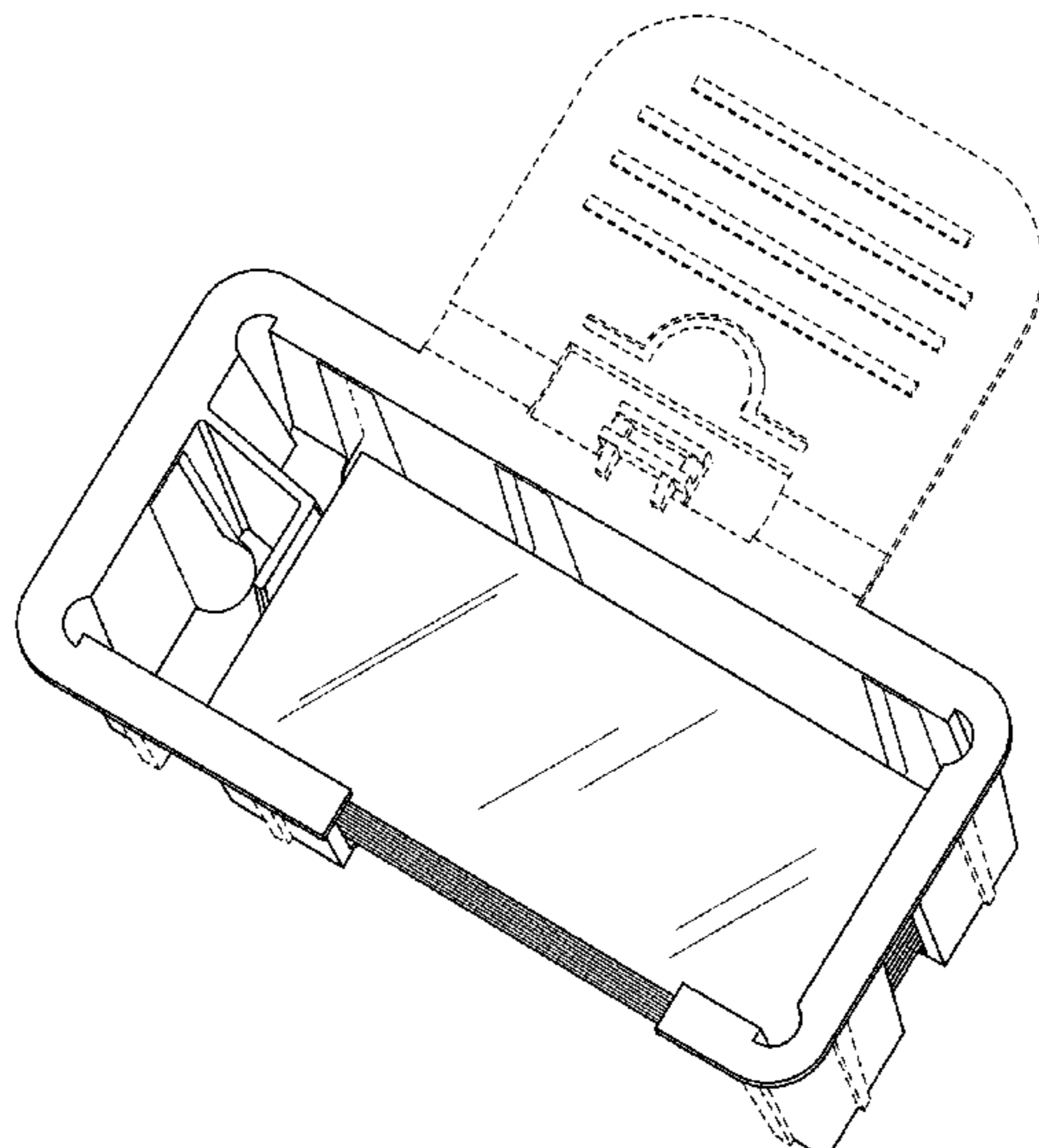
(57) **CLAIM**

The ornamental design for a holder for coverslips or specimen slides, as shown and described.

DESCRIPTION

FIG. 1 is a top perspective view of a holder for coverslips or specimen slides, according to one embodiment of the new design;
FIG. 2 is a front view of the holder for coverslips or specimen slides of FIG. 1;
FIG. 3 is a rear view of the holder for coverslips or specimen slides of FIG. 1;
FIG. 4 is a left view of the holder for coverslips or specimen slides of FIG. 1;
FIG. 5 is a right view of the holder for coverslips or specimen slides of FIG. 1;
FIG. 6 is a top view of the holder for coverslips or specimen slides of FIG. 1;
FIG. 7 is a bottom view of the holder for coverslips or specimen slides of FIG. 1;
FIG. 8 is a top perspective view of a holder for coverslips or specimen slides, according to another embodiment of the new design;
FIG. 9 is a front view of the holder for coverslips or specimen slides of FIG. 8;
FIG. 10 is a rear view of the holder for coverslips or specimen slides of FIG. 8;
FIG. 11 is a left view of the holder for coverslips or specimen slides of FIG. 8;
FIG. 12 is a right view of the holder for coverslips or specimen slides of FIG. 8;
FIG. 13 is a top view of the holder for coverslips or specimen slides of FIG. 8; and,
FIG. 14 is a bottom view of the holder for coverslips or specimen slides of FIG. 8.
The broken lines depict portions of the holder for coverslips or specimen slides that form no part of the claimed design.

1 Claim, 14 Drawing Sheets



(56)

References Cited

U.S. PATENT DOCUMENTS

D806,574 S *	1/2018	Ozenne	D9/737
D815,752 S *	4/2018	Jackson	D24/224
D817,511 S *	5/2018	Taylor	D24/225
D818,604 S *	5/2018	Smith	D24/229
D862,727 S *	10/2019	Hart	D24/224
D871,611 S *	12/2019	Lamerton	D24/229
2014/0234182 A1 *	8/2014	Motadel	B01L 9/543 422/526

* cited by examiner

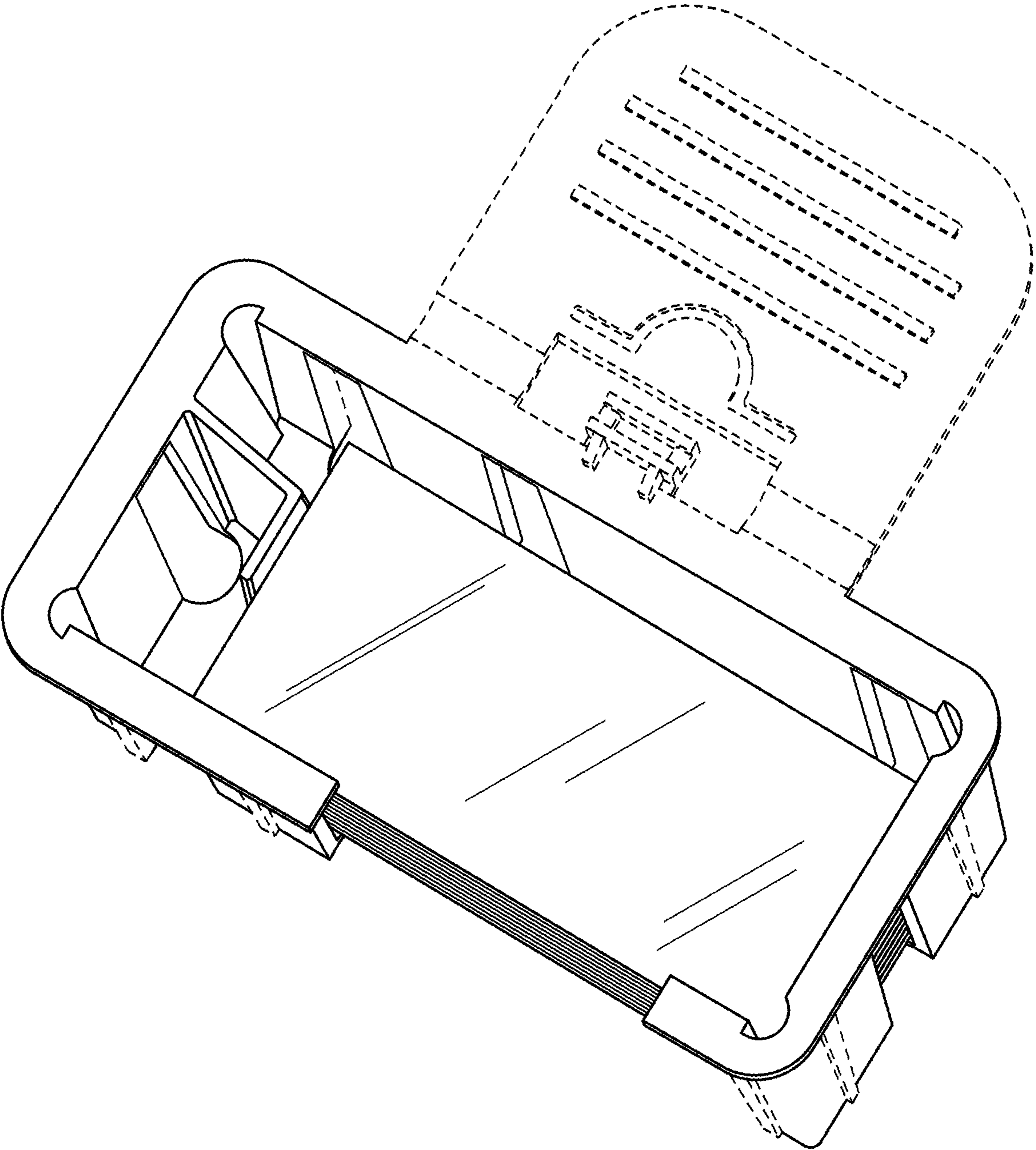


FIG. 1

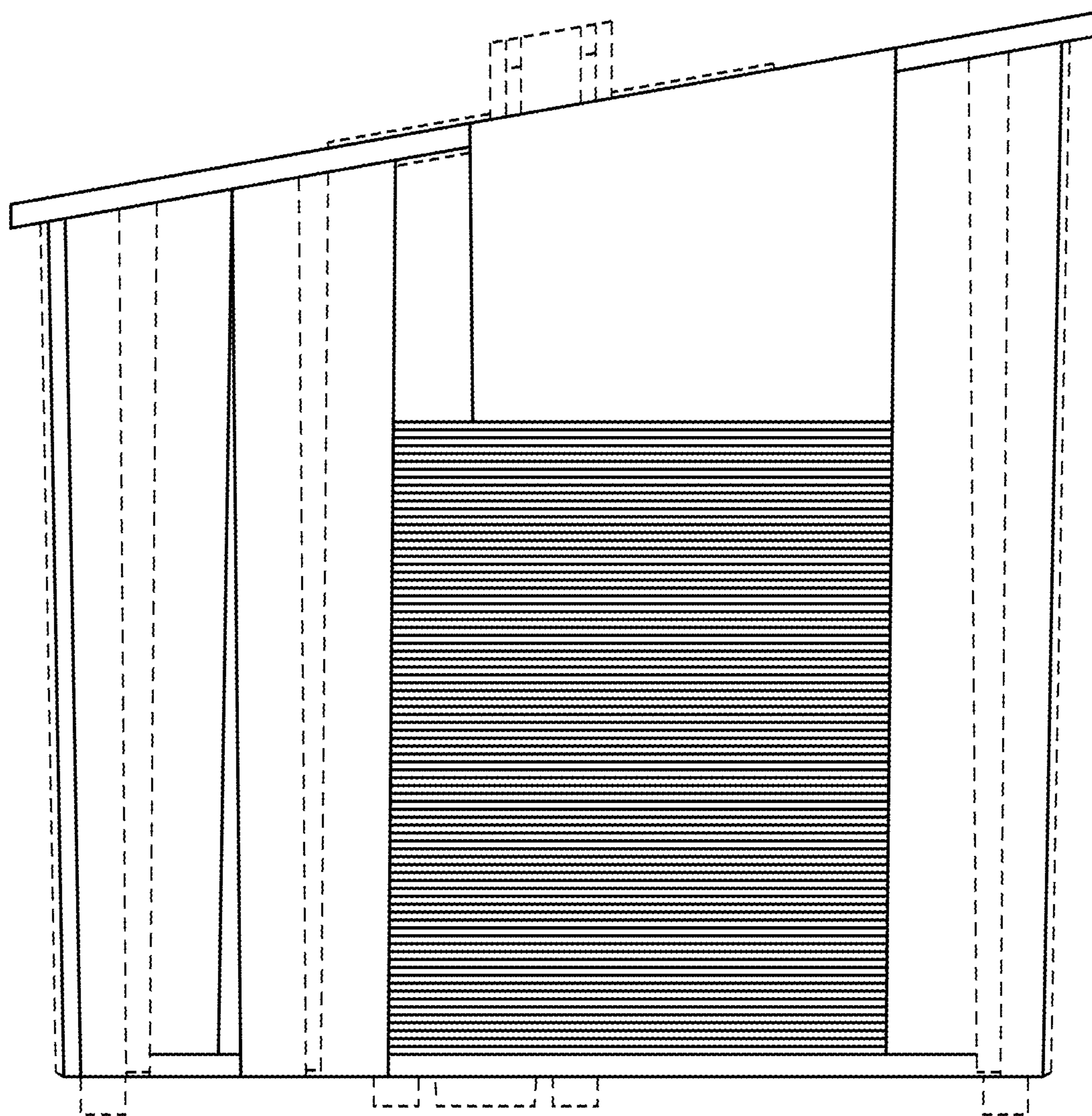


FIG. 2

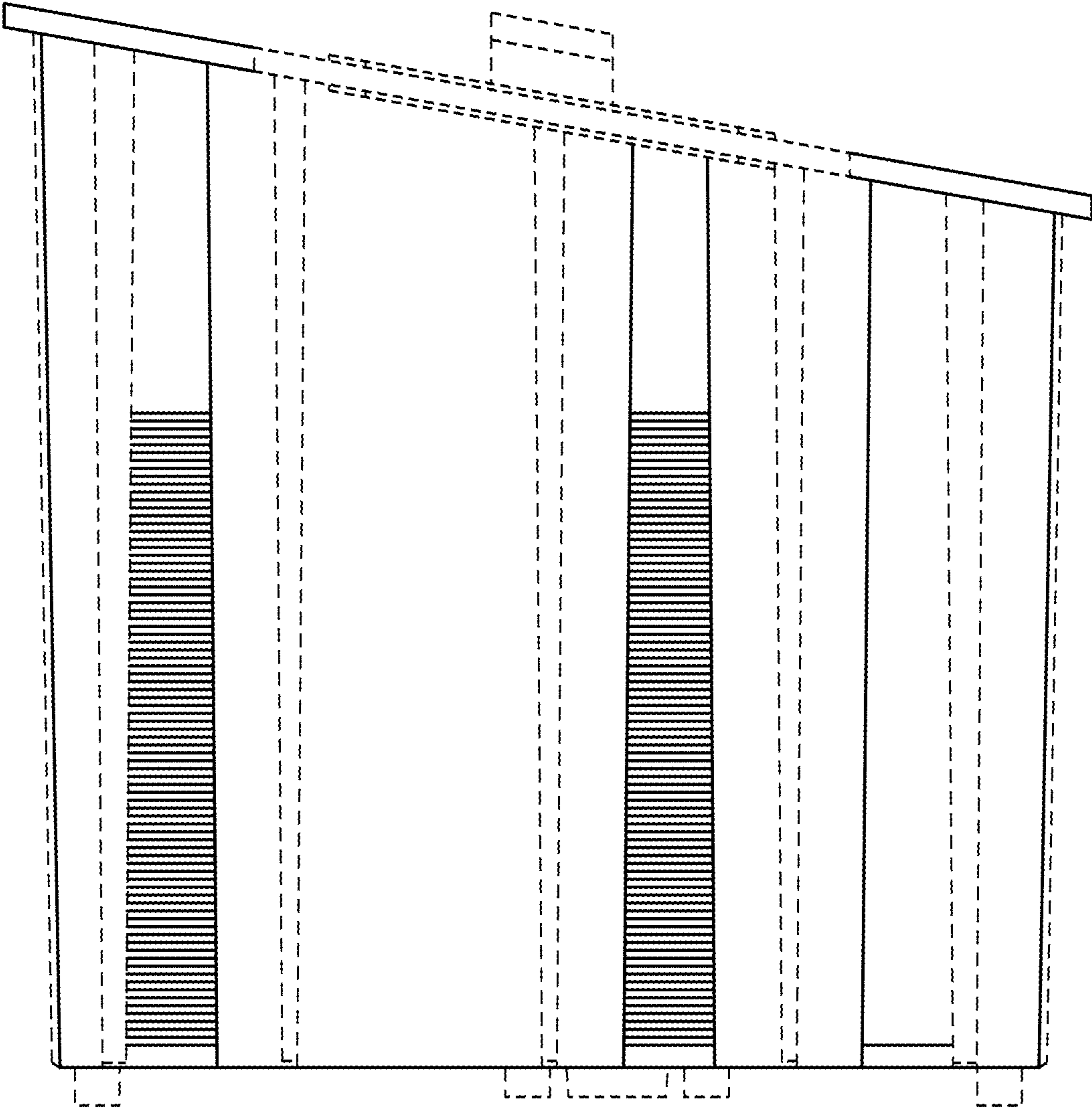


FIG. 3

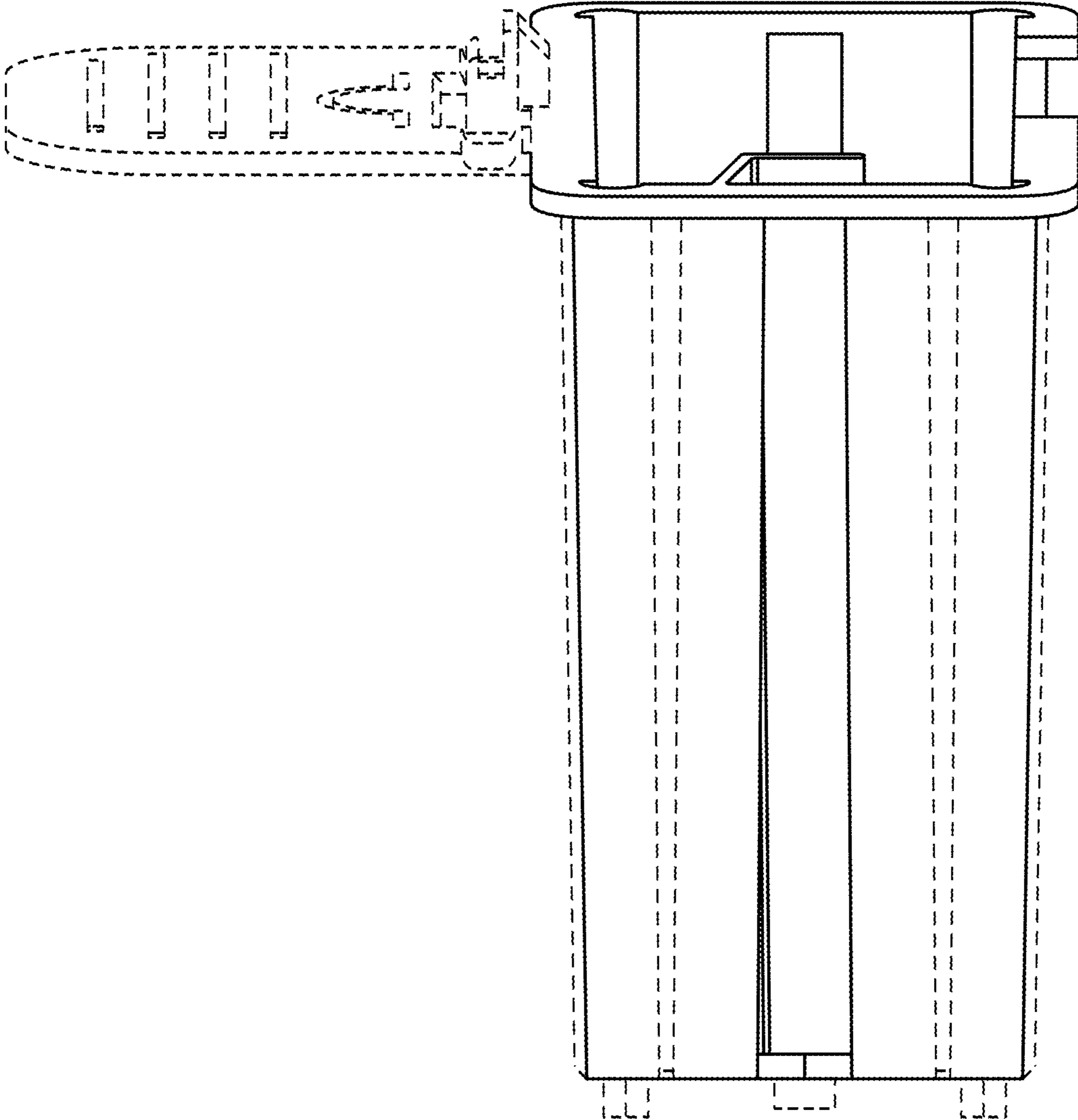


FIG. 4

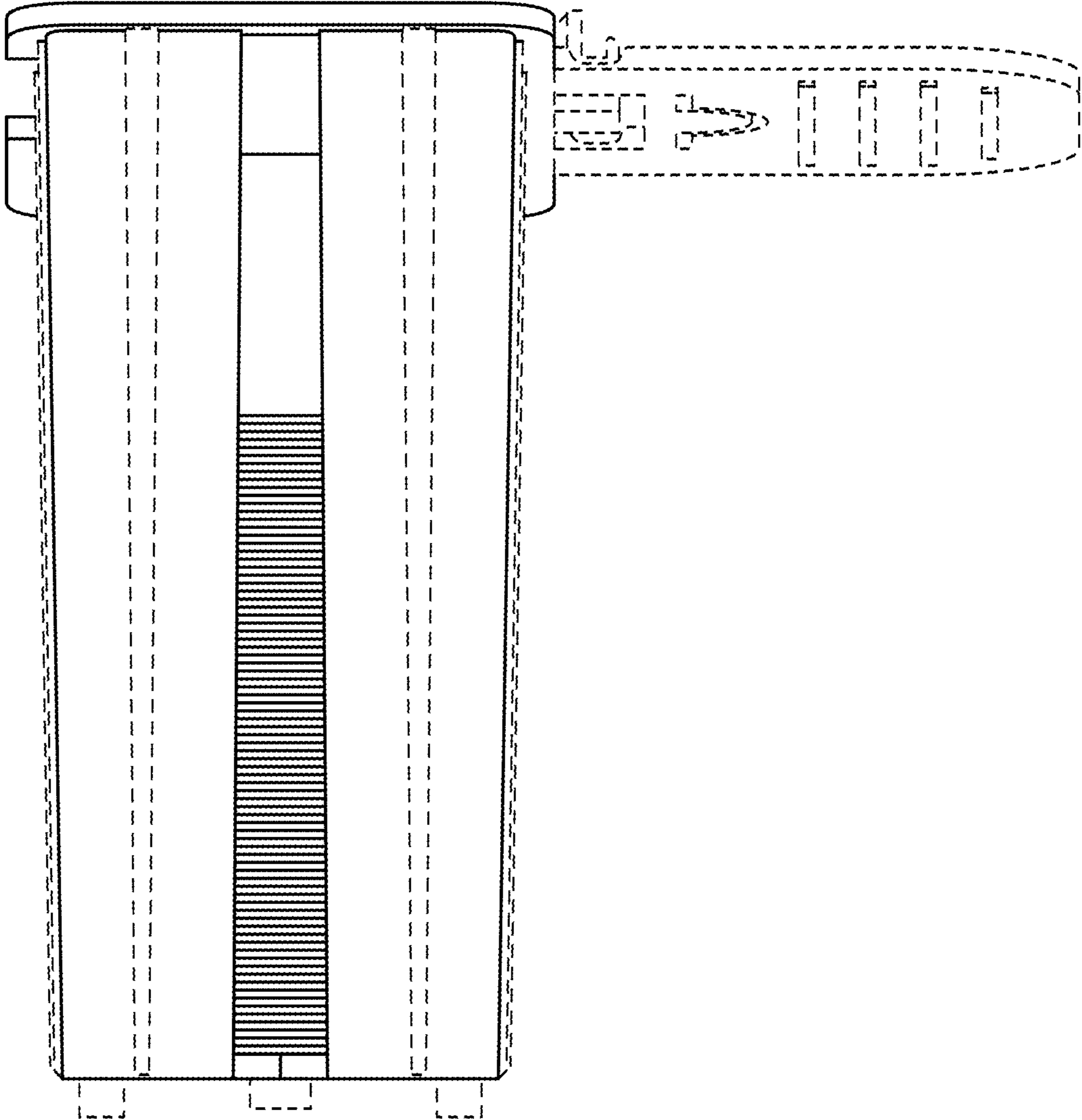


FIG. 5

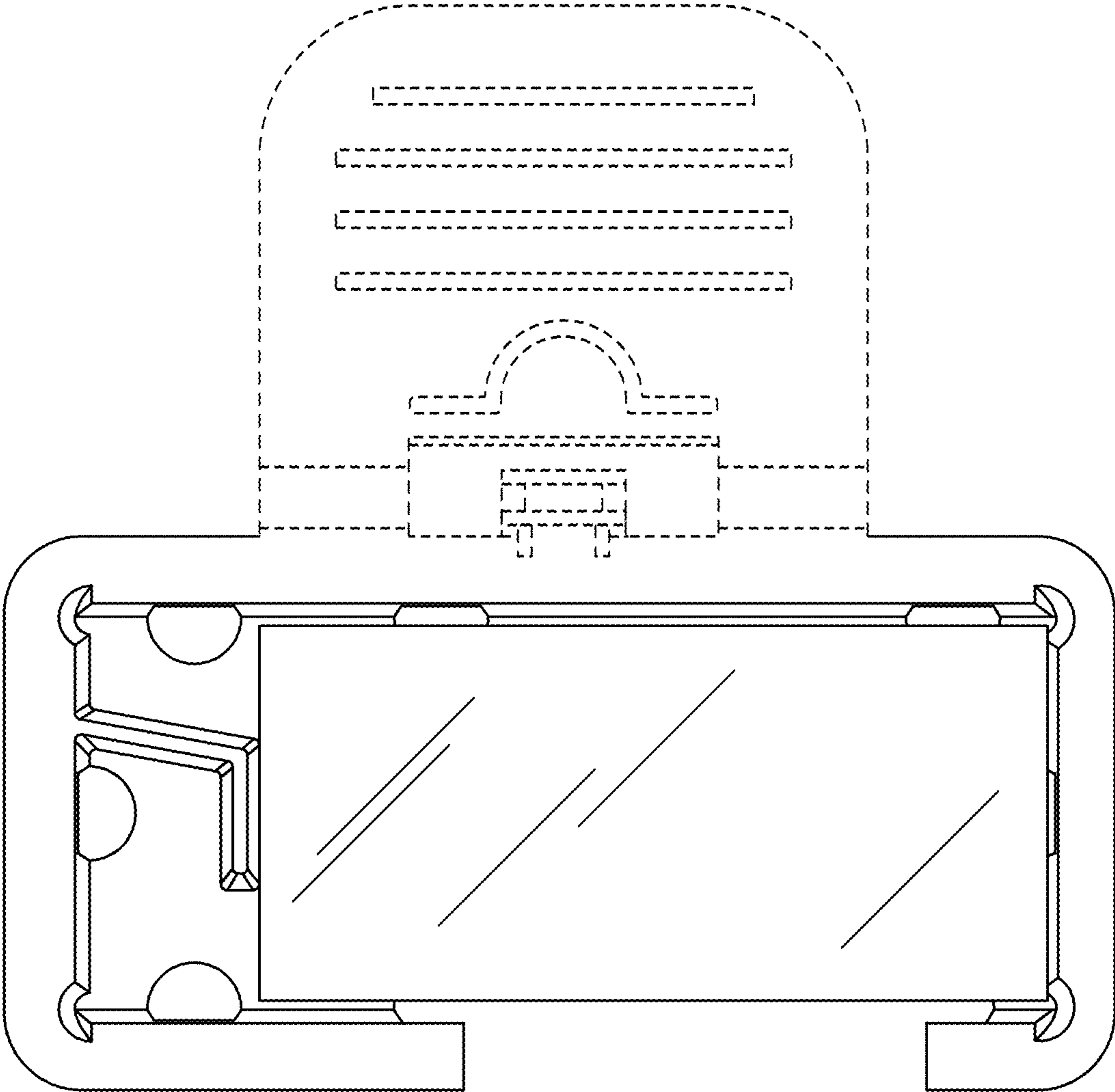


FIG. 6

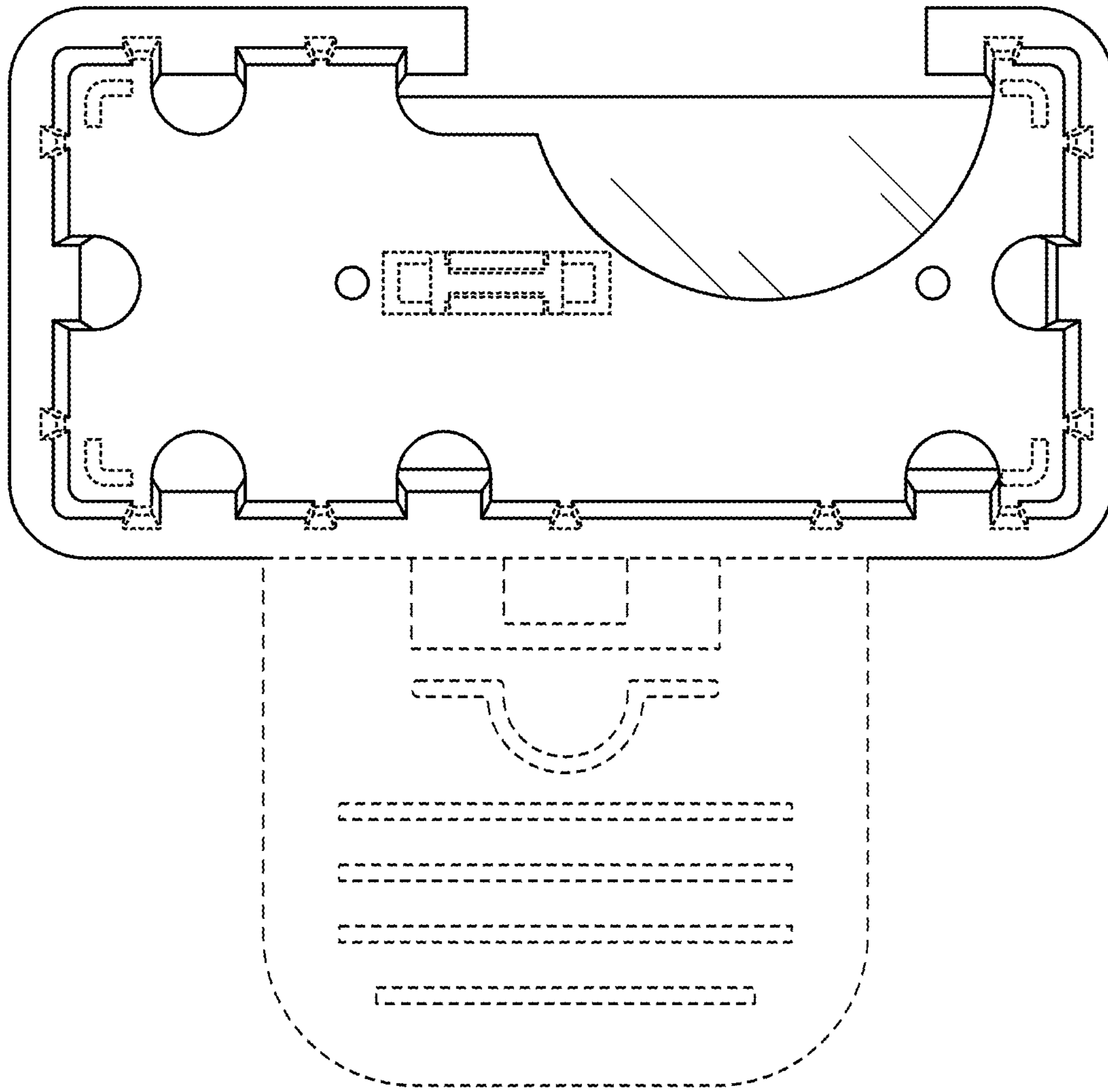


FIG. 7

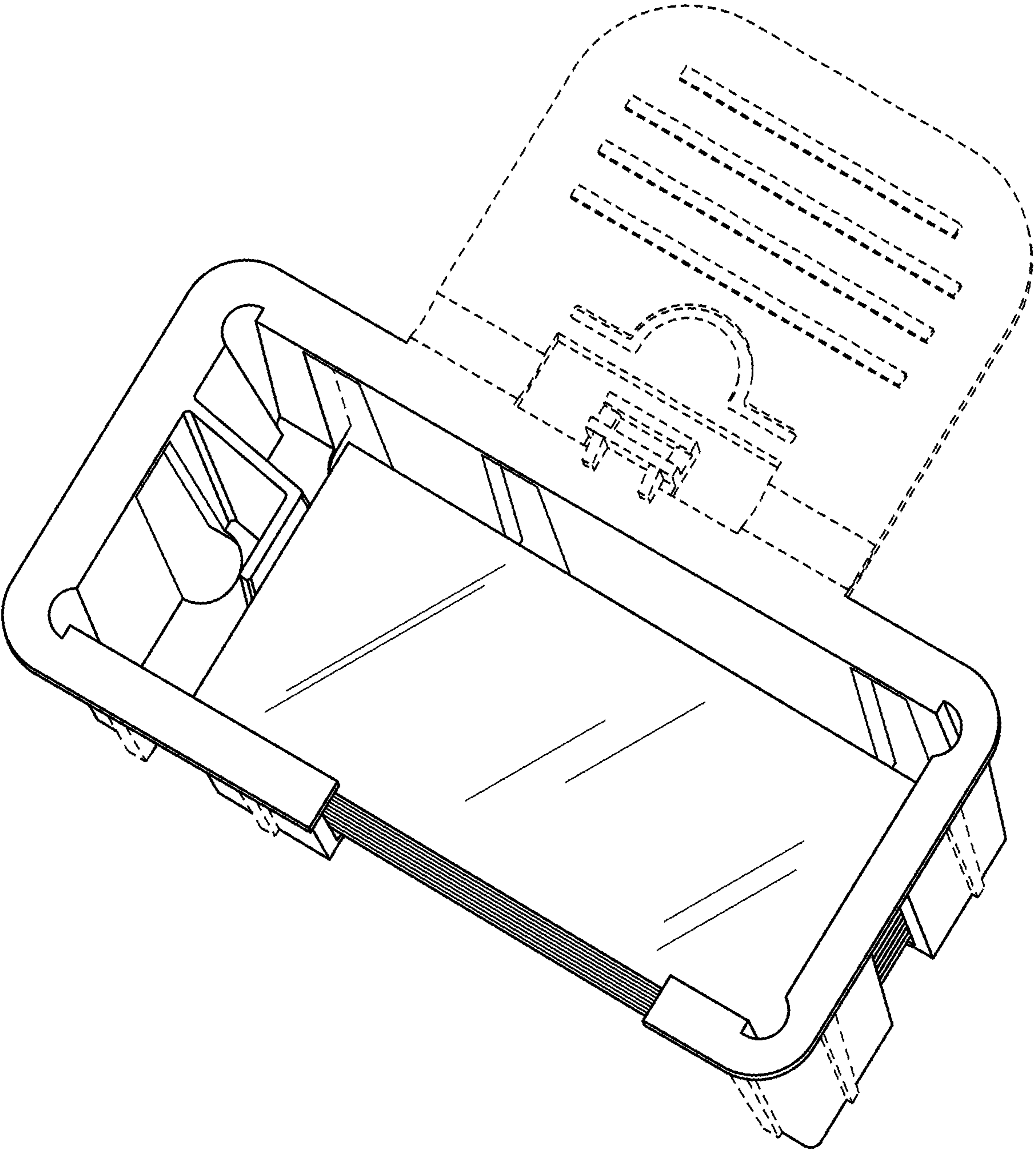


FIG. 8

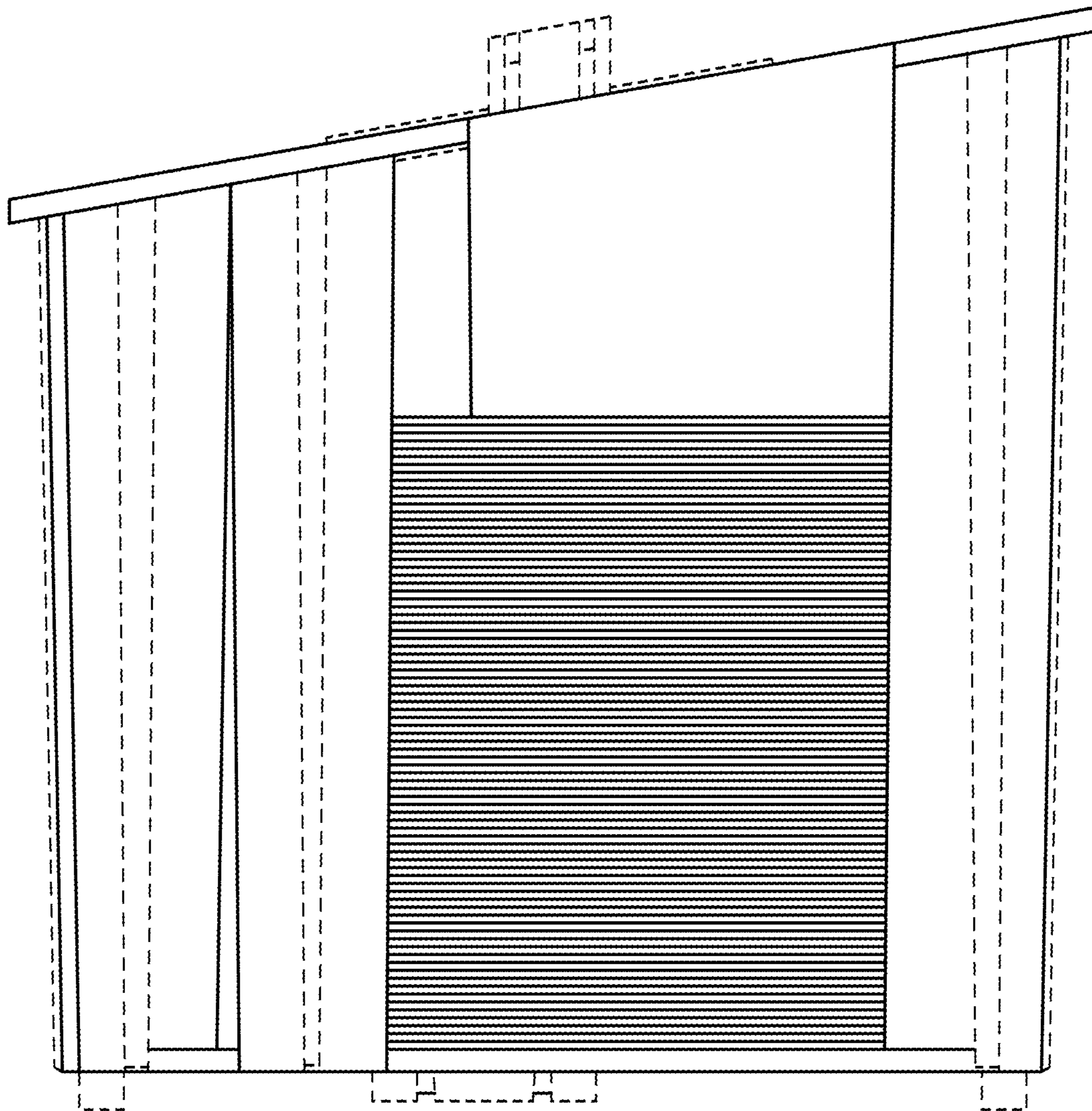


FIG. 9

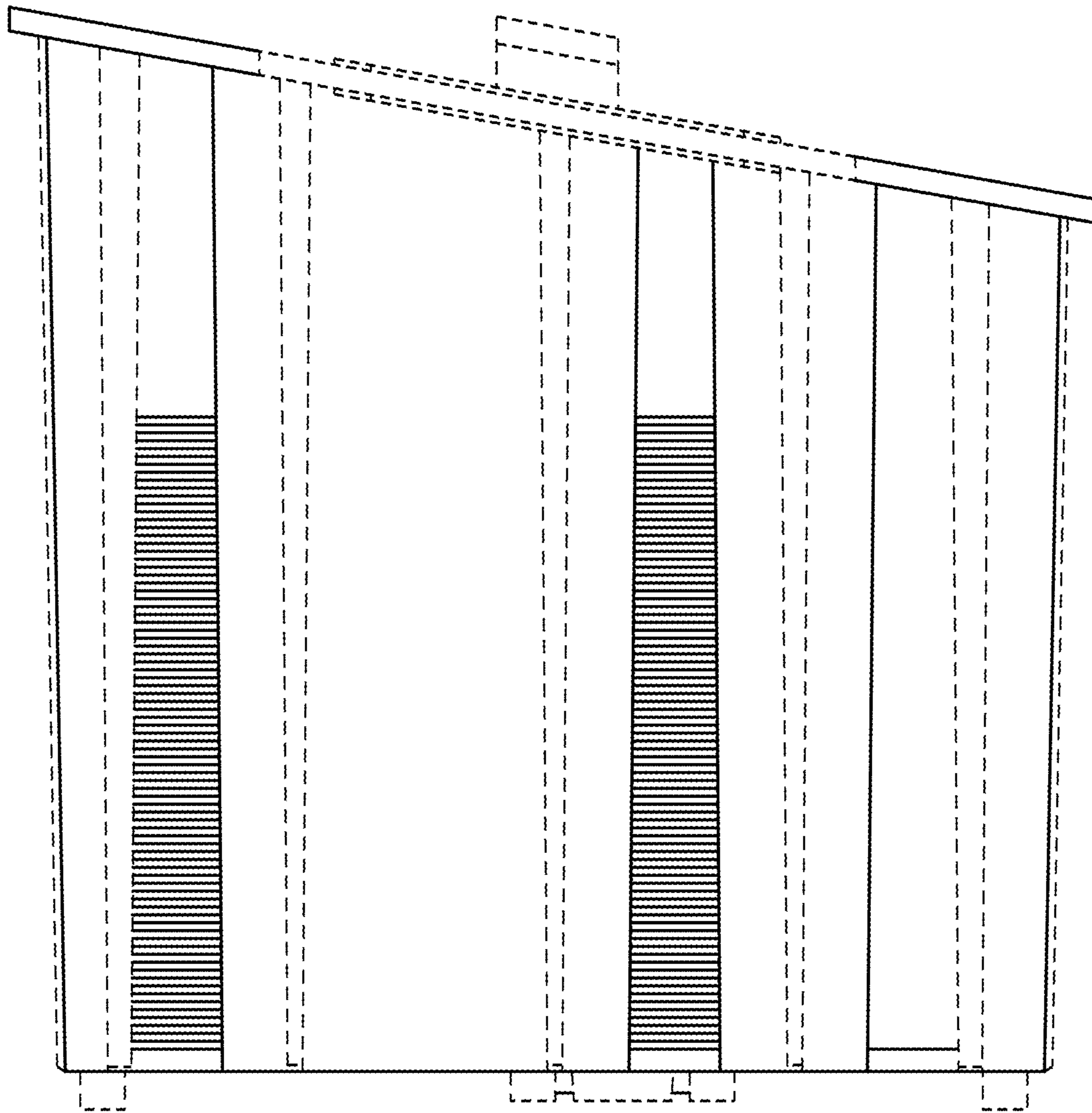


FIG. 10

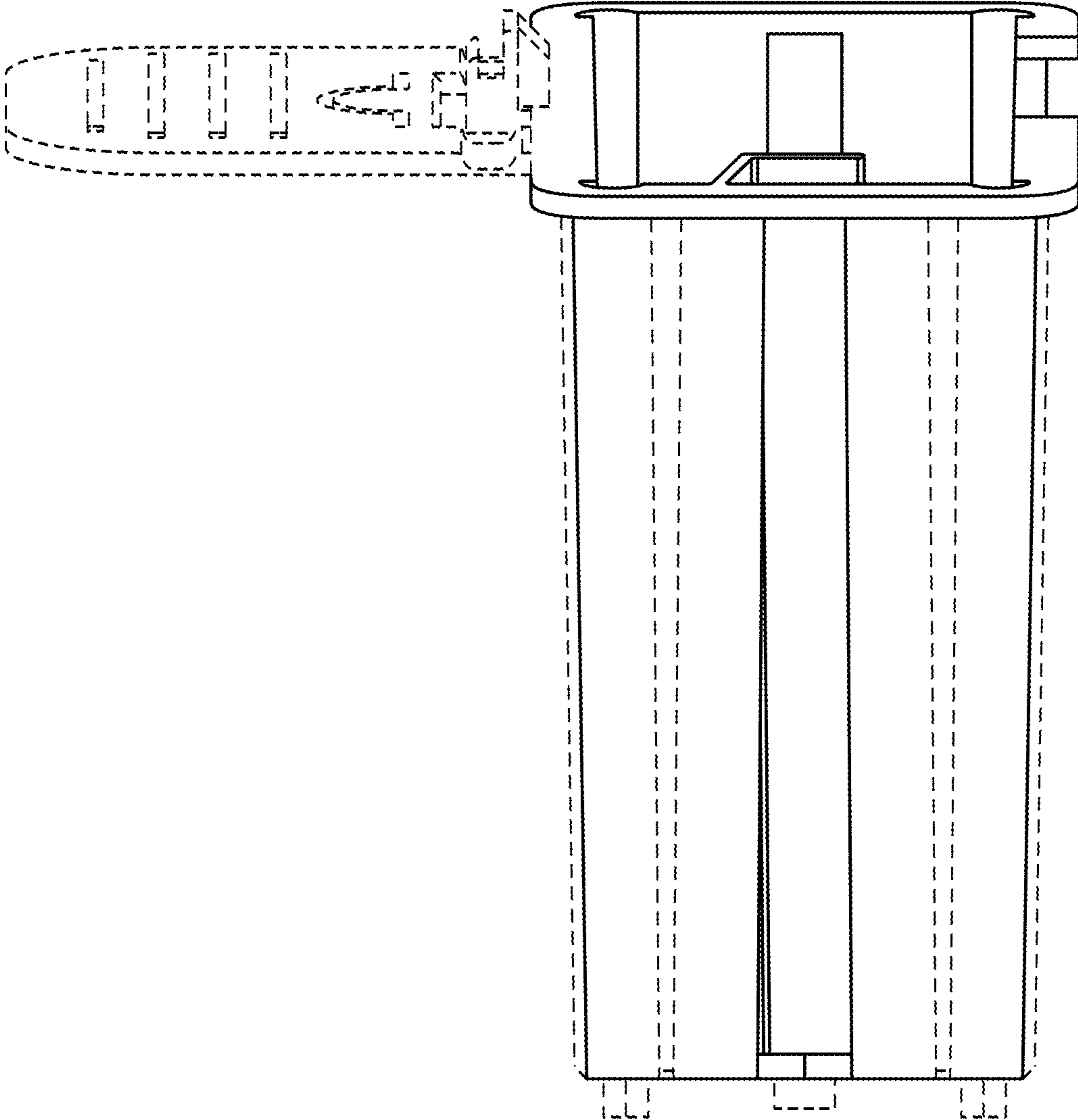


FIG. 11

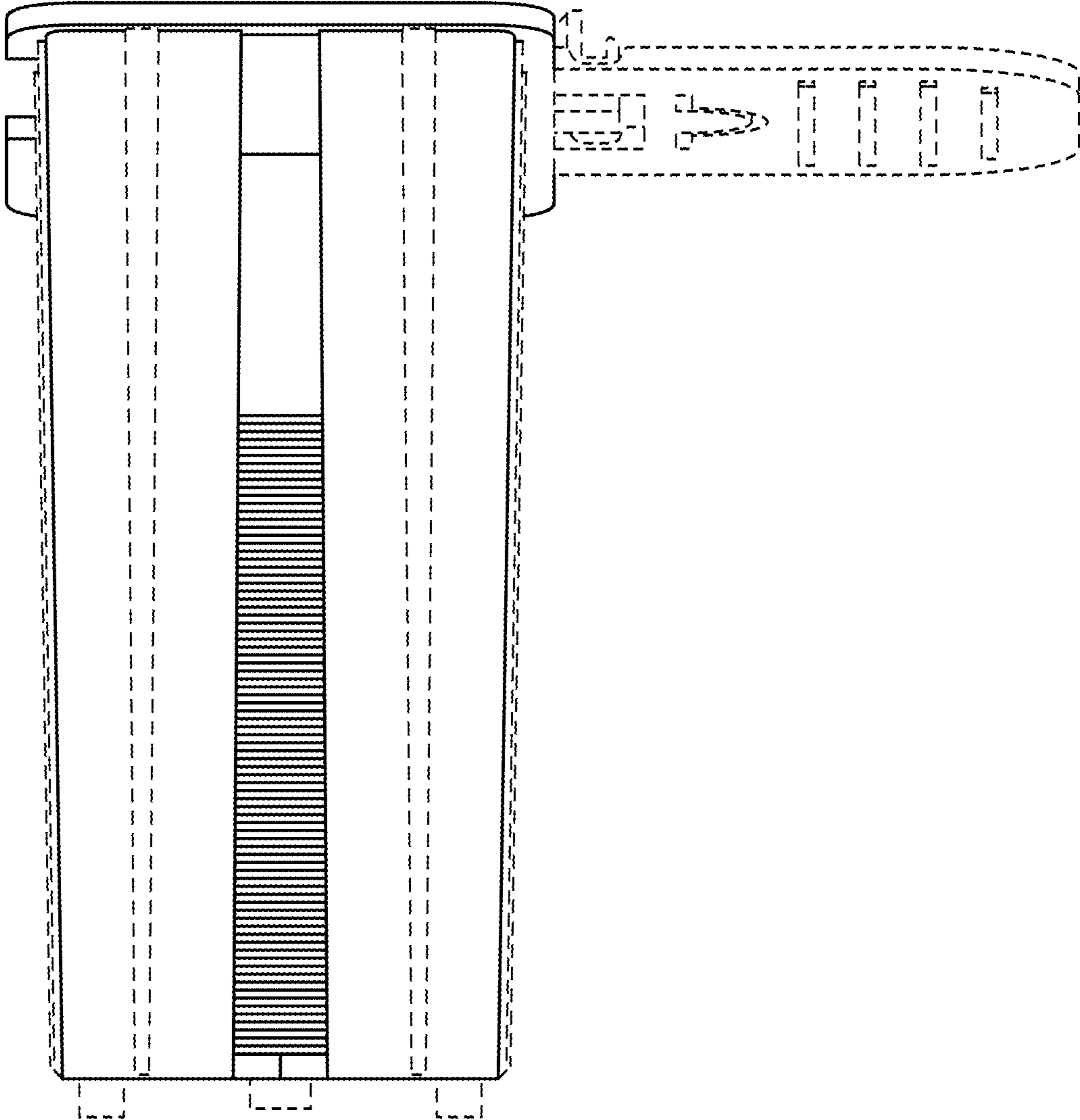


FIG. 12

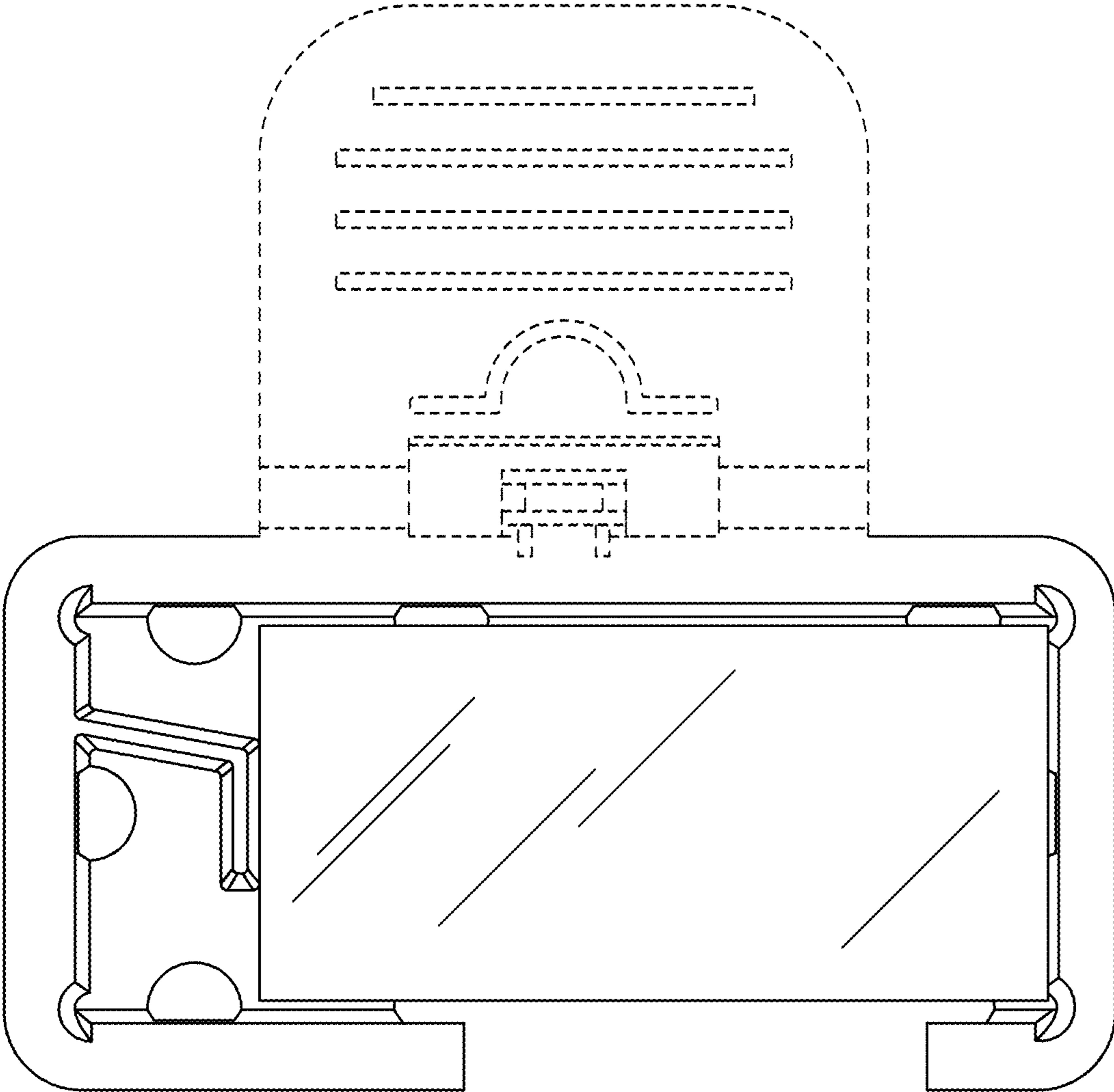


FIG. 13

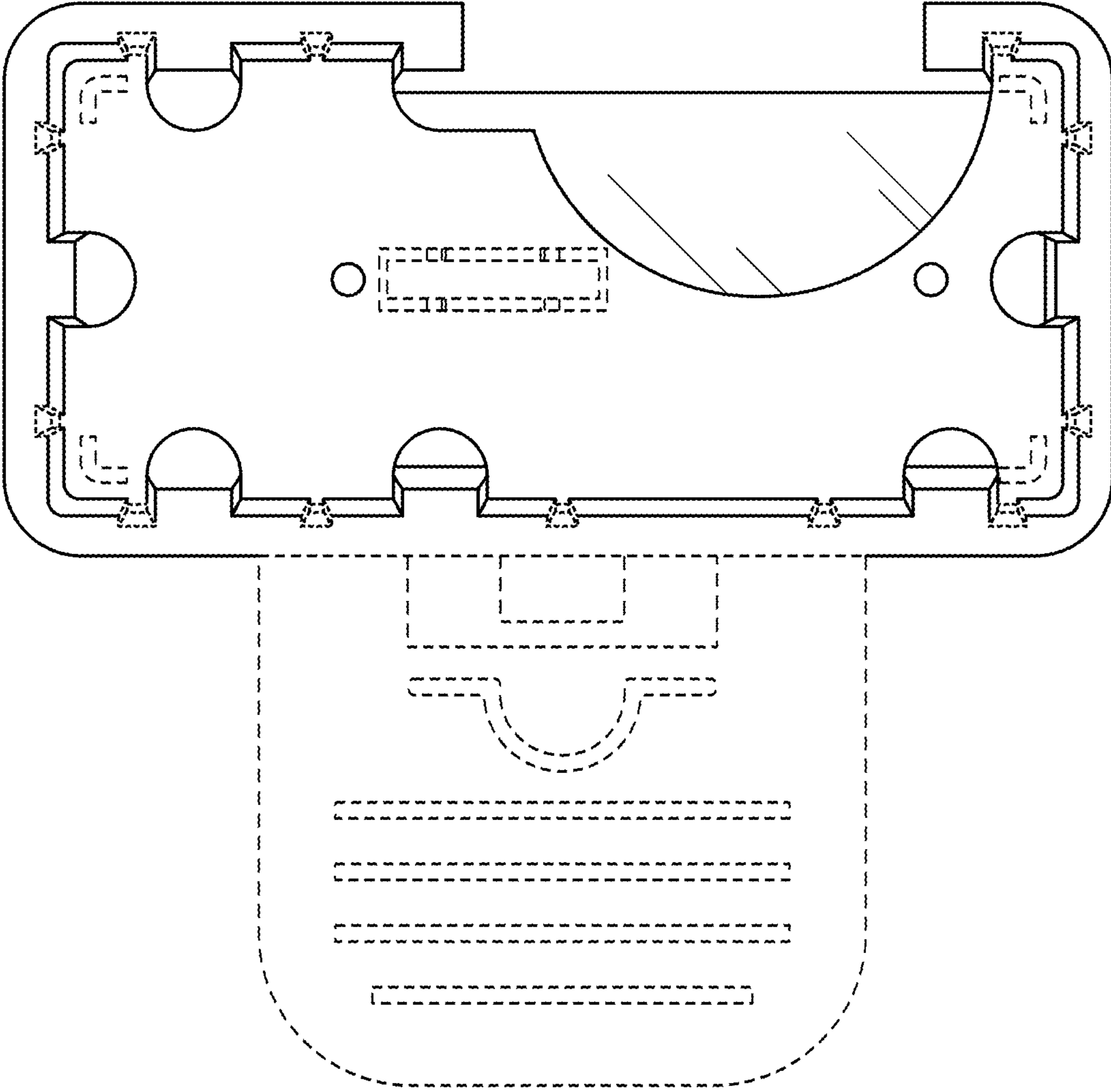


FIG. 14