



US00D987108S

(12) **United States Design Patent** (10) **Patent No.:** **US D987,108 S**
Trump (45) **Date of Patent:** **** *May 23, 2023**

(54) **HOLDER FOR COVERSLIPS OR SPECIMEN SLIDES**

(71) Applicant: **Leica Biosystems Nussloch GmbH**,
Nussloch (DE)

(72) Inventor: **Tobias Trump**, Frankenthal (DE)

(73) Assignee: **LEICA BIOSYSTEMS NUSSLOCH GmbH**, Nussloch (DE)

(*) Notice: This patent is subject to a terminal disclaimer.

(**) Term: **15 Years**

(21) Appl. No.: **29/817,337**

(22) Filed: **Nov. 30, 2021**

Related U.S. Application Data

(62) Division of application No. 29/658,006, filed on Jul. 26, 2018, now Pat. No. Des. 945,010.

(30) **Foreign Application Priority Data**

Mar. 15, 2018 (EM) 004757896
Jul. 16, 2018 (EM) 005504214

(51) **LOC (14) Cl.** **24-02**

(52) **U.S. Cl.**
USPC **D24/227**

(58) **Field of Classification Search**
USPC D24/216-232, 107, 108, 121, 162, 169,
D24/186, 233, 234; D10/81
CPC G01N 2001/315; B01L 3/508; B01L 9/52;
B01L 2300/0822
See application file for complete search history.

(56) **References Cited**

U.S. PATENT DOCUMENTS

8,288,086 B2 * 10/2012 Metzner G01N 1/31
435/3
D676,571 S * 2/2013 Wilson D24/224

D701,972 S * 4/2014 Ohmae D24/229
D720,470 S * 12/2014 Lober D24/227
9,389,154 B2 * 7/2016 Knorr B01L 3/5457
D799,058 S * 10/2017 Kennedy D24/227
D802,787 S * 11/2017 Shanafelter D24/227
D804,682 S * 12/2017 Taylor D24/225
D806,574 S * 1/2018 Ozenne D9/737
D815,752 S * 4/2018 Jackson D24/224
D817,511 S * 5/2018 Taylor D24/225
D818,604 S * 5/2018 Smith D24/229
D862,727 S * 10/2019 Hart D24/224
D865,215 S * 10/2019 Dangelo D24/224

(Continued)

Primary Examiner — Mary Shannon Malley
(74) *Attorney, Agent, or Firm* — Cozen O'Connor

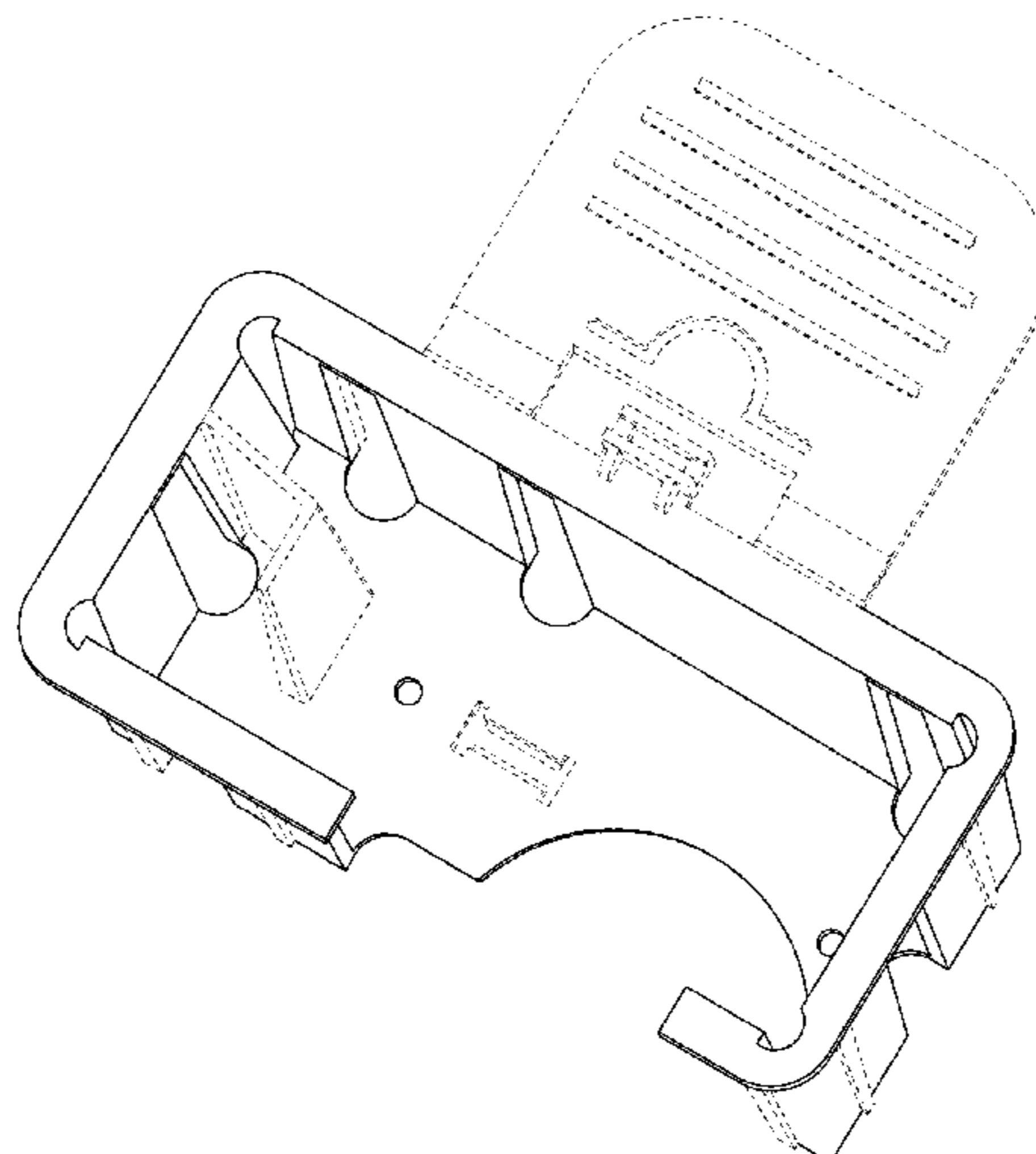
(57) **CLAIM**

The ornamental design for a holder for coverslips or specimen slides, as shown and described.

DESCRIPTION

FIG. 1 is a top perspective view of a holder for coverslips or specimen slides, according to the new design;
FIG. 2 is a front view of the holder for coverslips or specimen slides of FIG. 1;
FIG. 3 is a rear view of the holder for coverslips or specimen slides of FIG. 1;
FIG. 4 is a left view of the holder for coverslips or specimen slides of FIG. 1;
FIG. 5 is a right view of the holder for coverslips or specimen slides of FIG. 1;
FIG. 6 is a top view of the holder for coverslips or specimen slides of FIG. 1; and,
FIG. 7 is a bottom view of the holder for coverslips or specimen slides of FIG. 1.
The broken lines in the figures depict portions of the holder for coverslips or specimen slides that form no part of the claimed design.

1 Claim, 7 Drawing Sheets



(56)

References Cited

U.S. PATENT DOCUMENTS

D871,611 S * 12/2019 Lamerton D24/229
2014/0234182 A1* 8/2014 Motadel B01L 9/543
422/526
2015/0260621 A1* 9/2015 Scott B01L 9/52
435/7.1
2019/0316993 A1* 10/2019 Lupo G01N 1/31

* cited by examiner

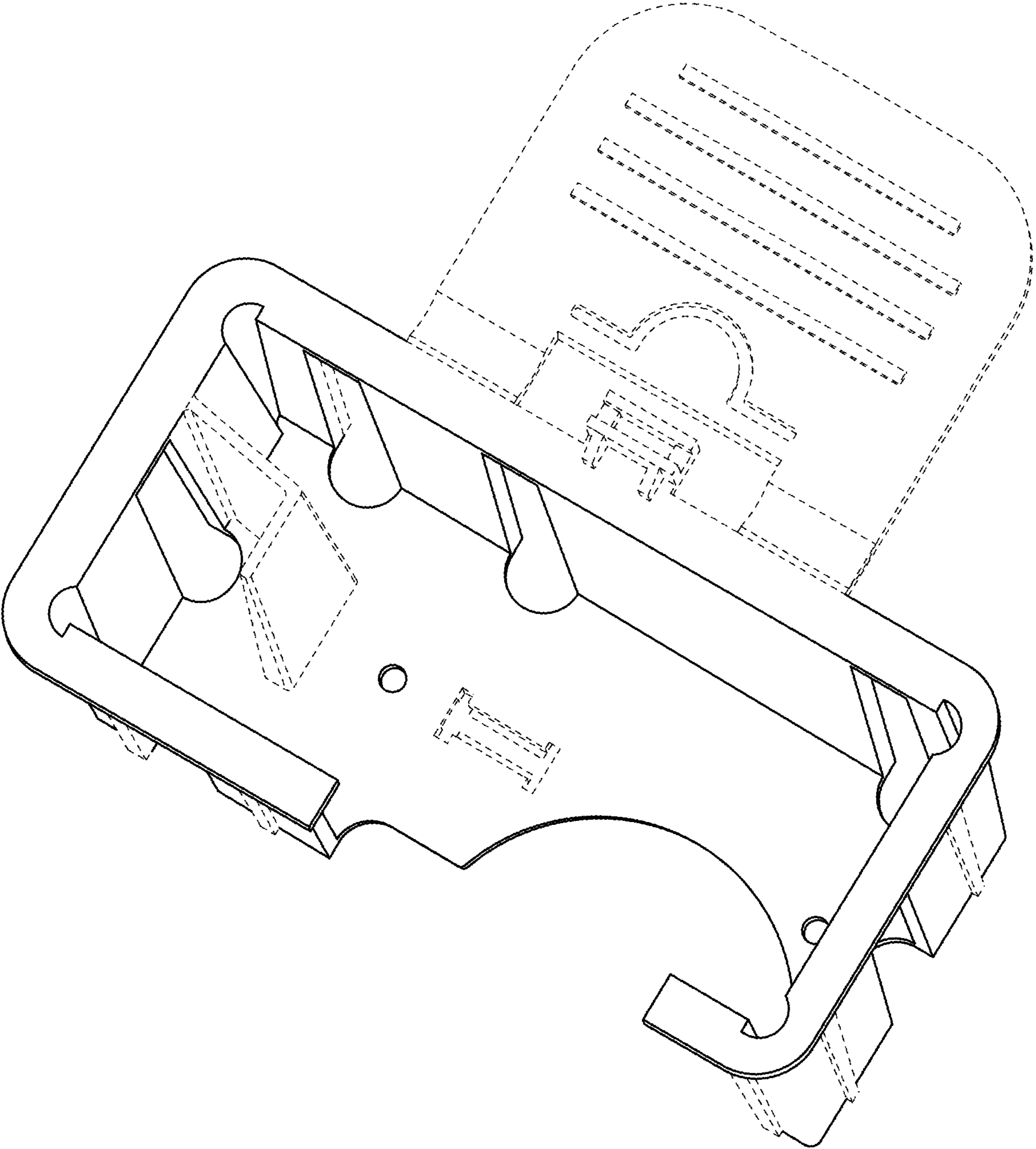


FIG. 1

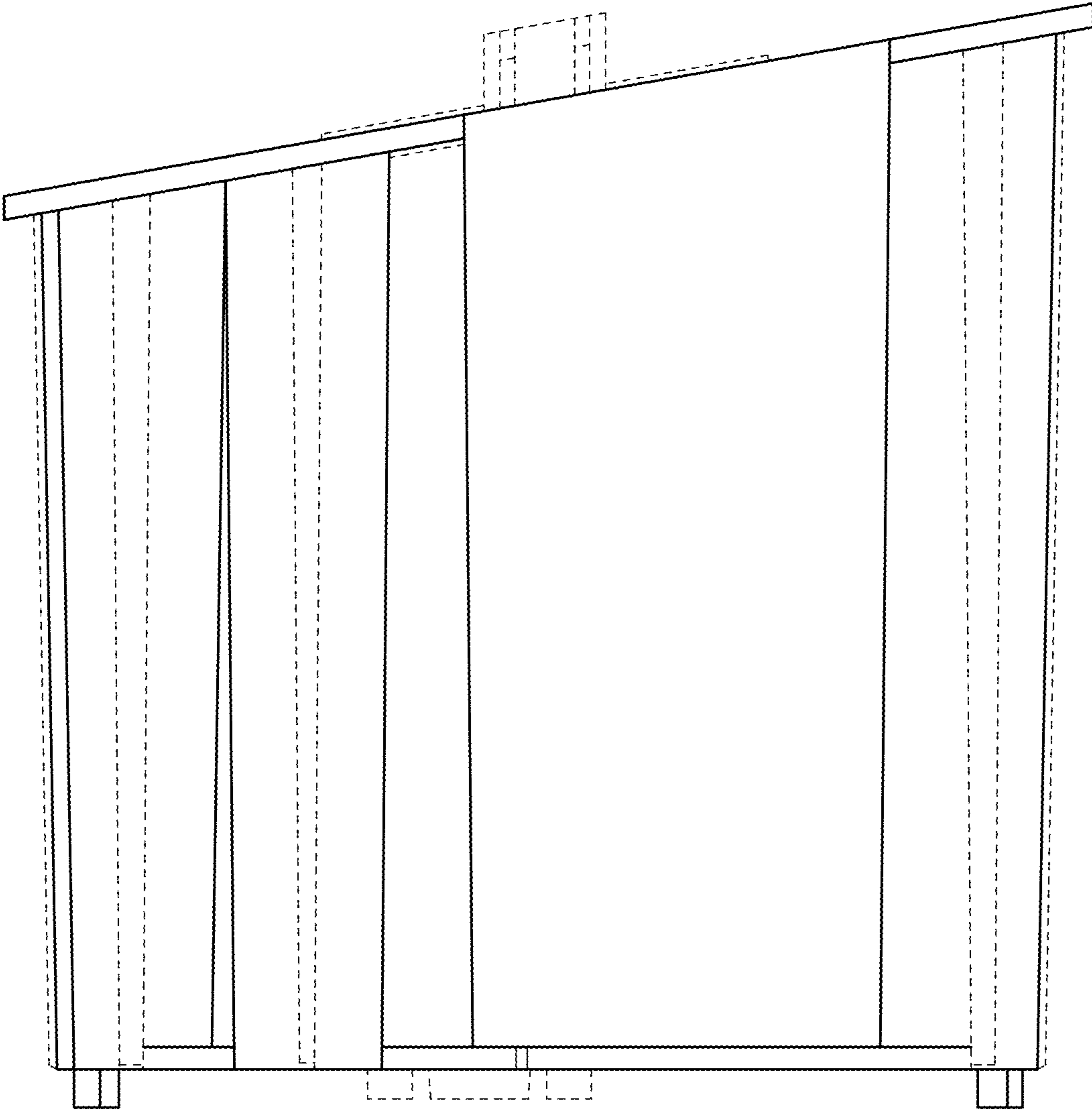


FIG. 2

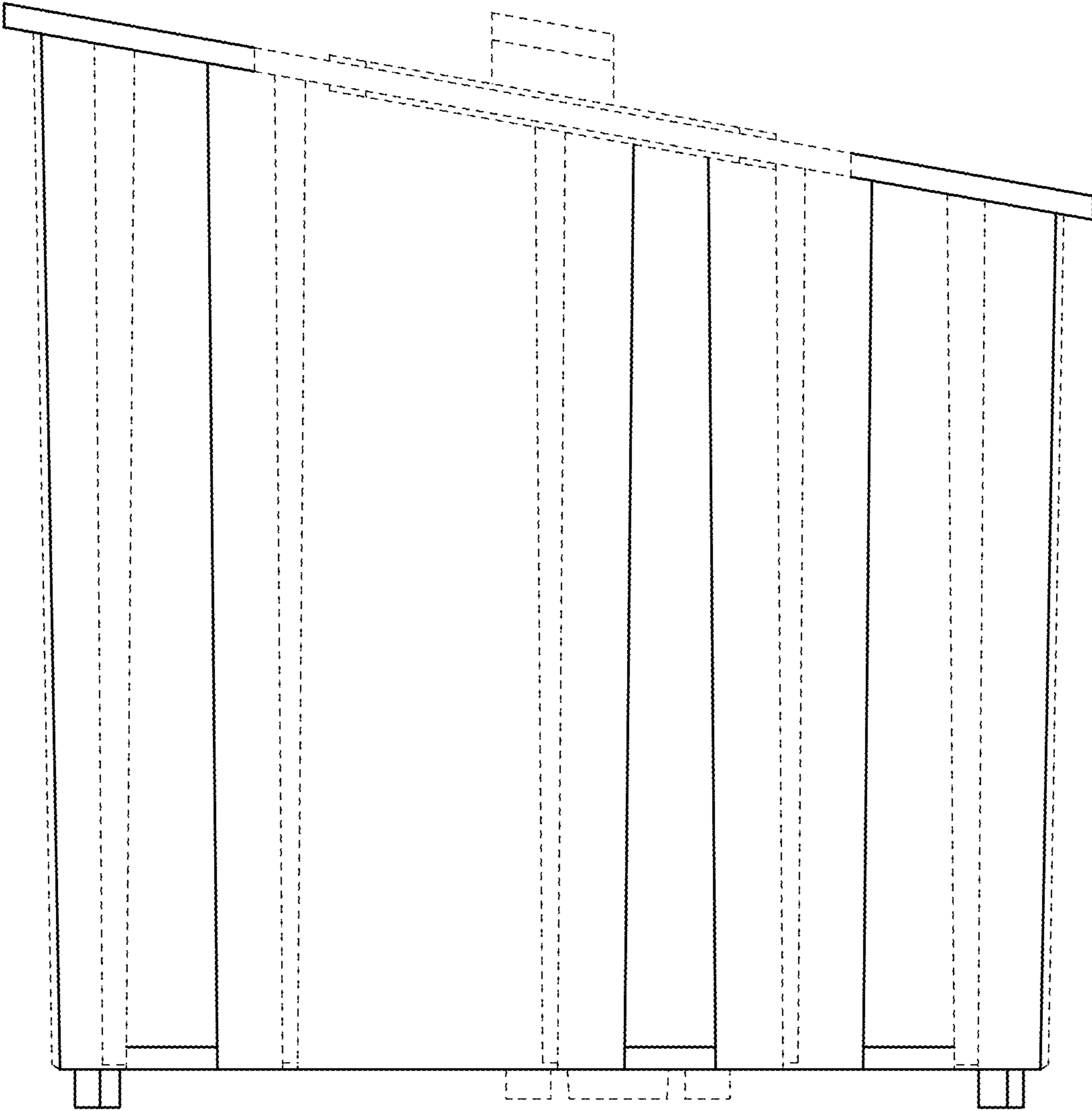


FIG. 3

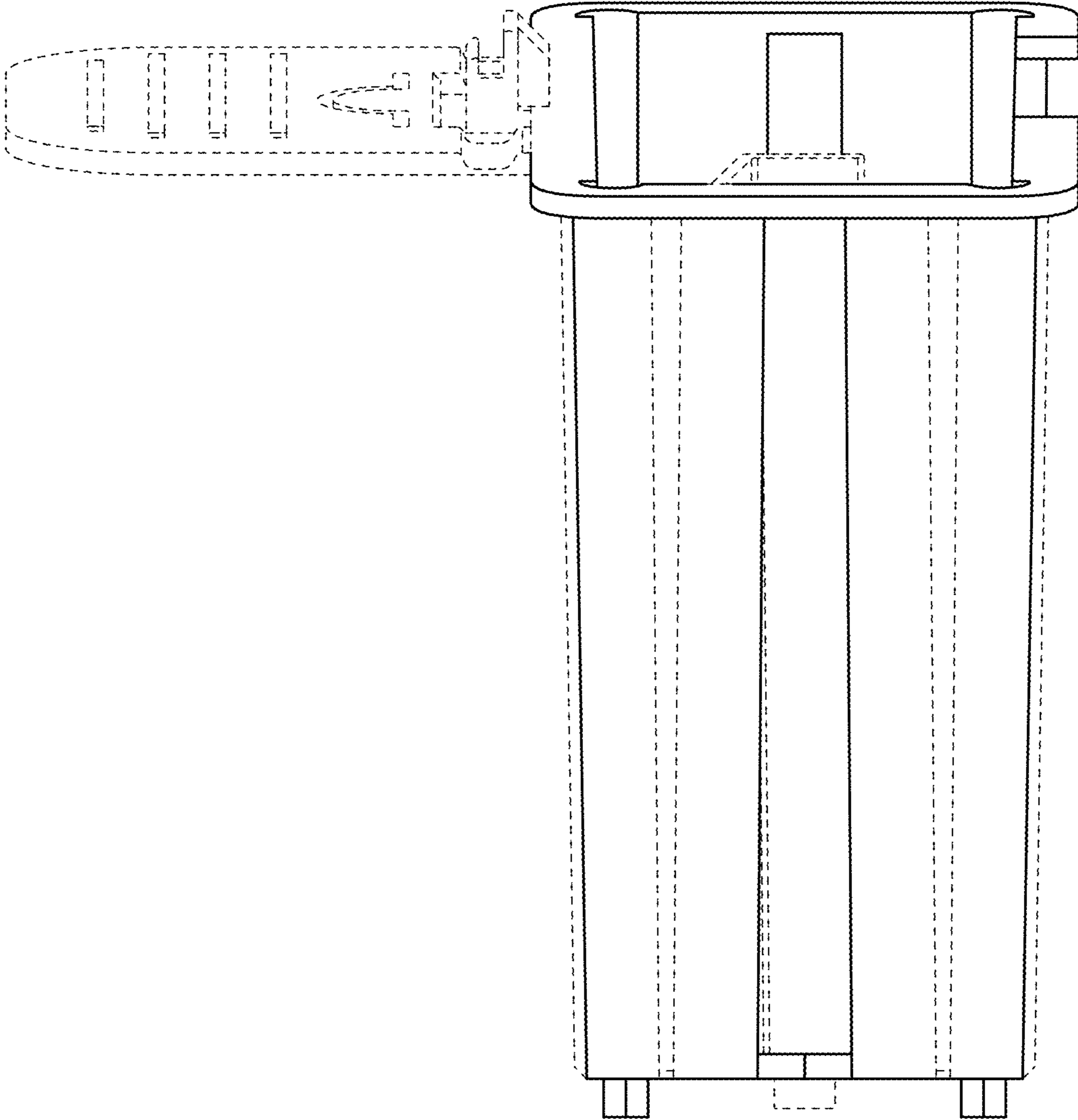


FIG. 4

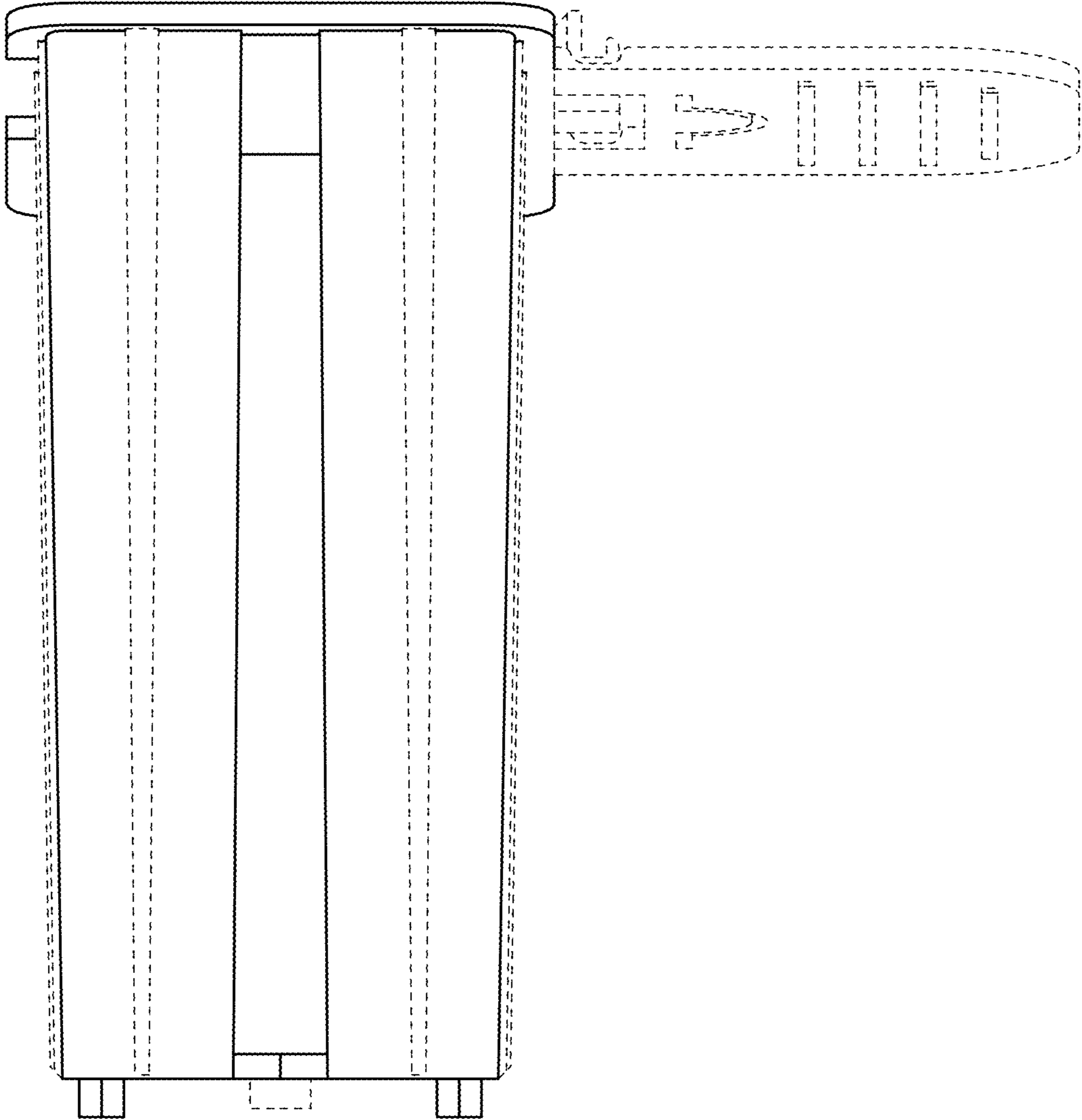


FIG. 5

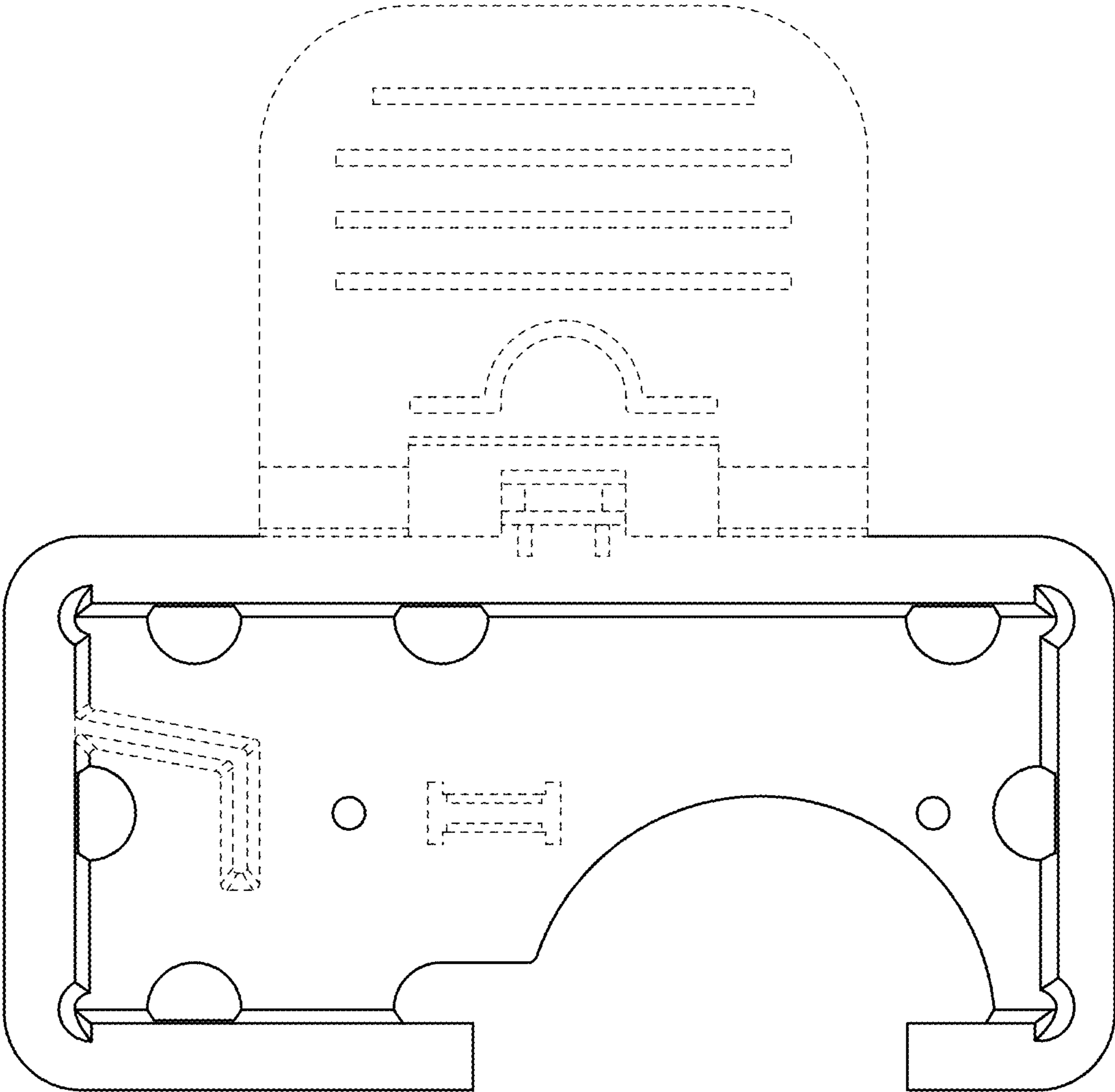


FIG. 6

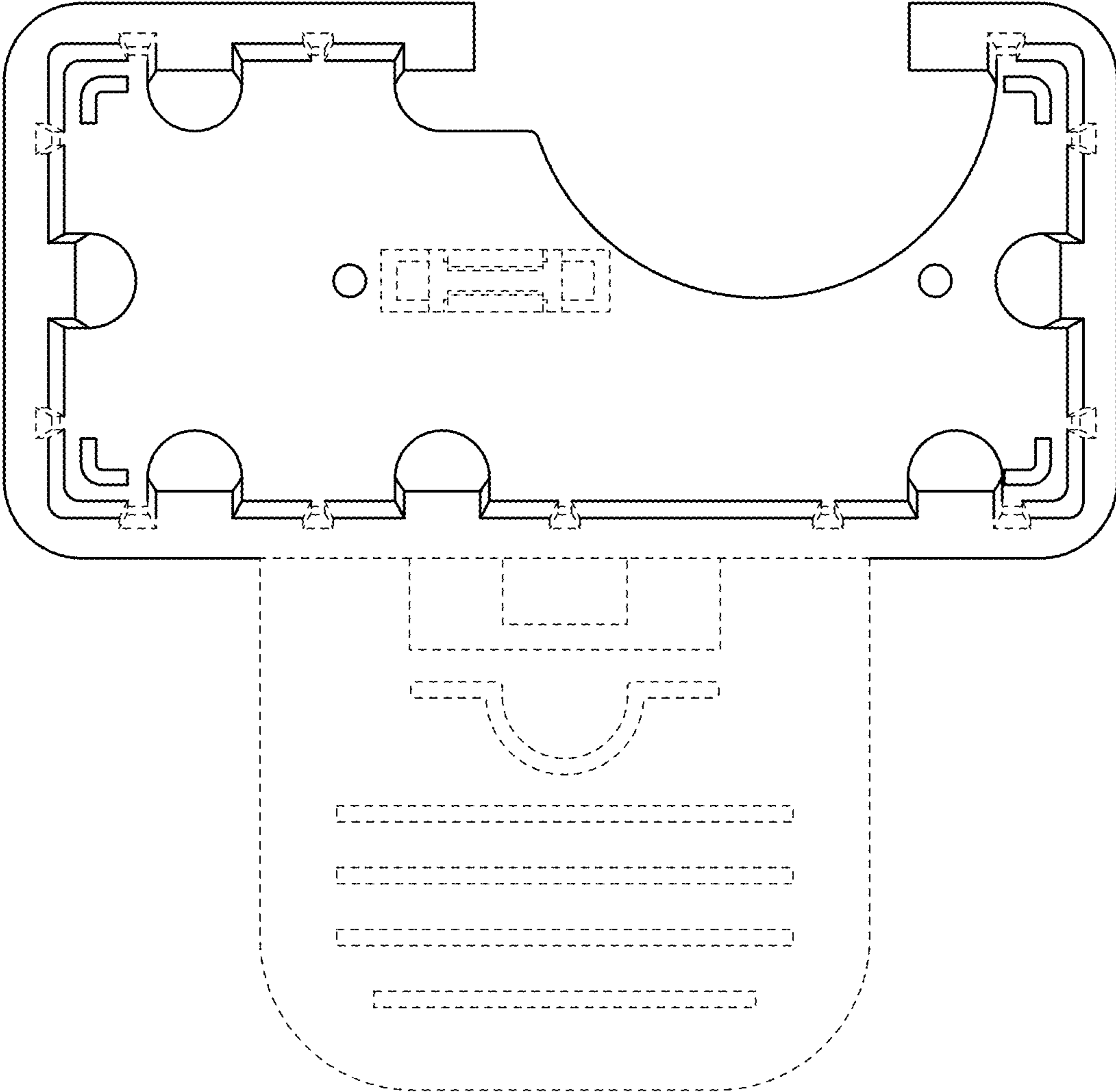


FIG. 7