



US00D987107S

(12) **United States Design Patent** (10) **Patent No.:** **US D987,107 S**
Trump (45) **Date of Patent:** **** *May 23, 2023**

(54) **HOLDER FOR COVERSLIPS OR SPECIMEN SLIDES**

Primary Examiner — Mary Shannon Malley
(74) *Attorney, Agent, or Firm* — Cozen O'Connor

(71) Applicant: **Leica Biosystems Nussloch GmbH**,
Nussloch (DE)

(57) **CLAIM**

The ornamental design for a holder for coverslips or specimen slides, as shown and described.

(72) Inventor: **Tobias Trump**, Frankenthal (DE)

DESCRIPTION

(73) Assignee: **LEICA BIOSYSTEMS NUSSLOCH GmbH**, Nussloch (DE)

(*) Notice: This patent is subject to a terminal disclaimer.

(**) Term: **15 Years**

(21) Appl. No.: **29/773,391**

(22) Filed: **Mar. 9, 2021**

Related U.S. Application Data

(62) Division of application No. 29/658,002, filed on Jul. 26, 2018, now Pat. No. Des. 970,038.

(30) **Foreign Application Priority Data**

Mar. 15, 2018 (EM) 004757896
Jul. 16, 2018 (EM) 005504214

(51) **LOC (14) Cl.** **24-02**

(52) **U.S. Cl.**
USPC **D24/227**

(58) **Field of Classification Search**
USPC D24/216–232, 107, 108, 121, 162, 169,
D24/186, 233, 234; D10/81

(Continued)

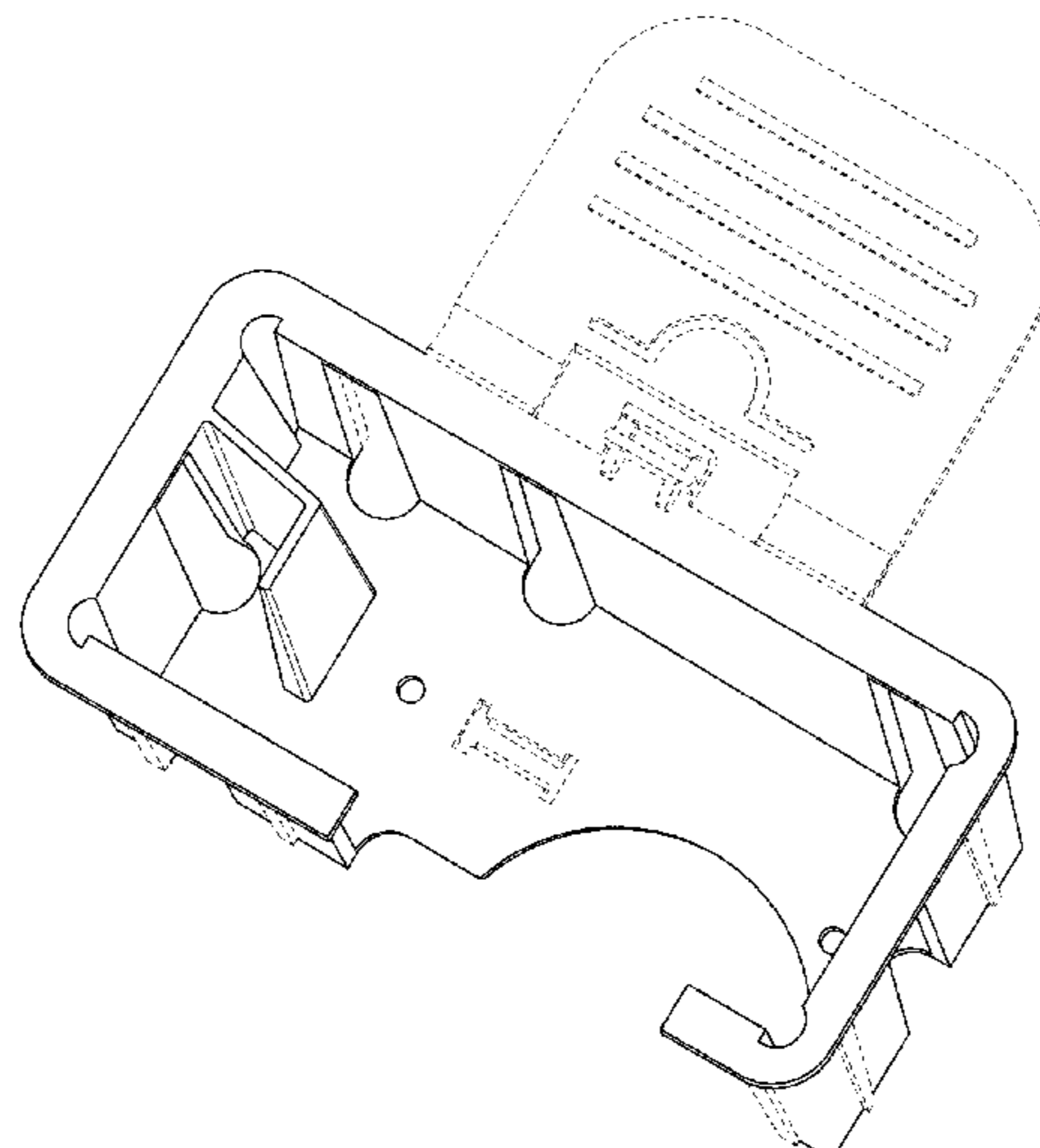
(56) **References Cited**

U.S. PATENT DOCUMENTS

8,288,086 B2 * 10/2012 Metzner G01N 1/31
435/3

D676,571 S * 2/2013 Wilson D24/224
(Continued)

1 Claim, 14 Drawing Sheets



(58) **Field of Classification Search**

CPC G01N 2001/315; B01L 3/508; B01L 9/52;
B01L 2300/0822

See application file for complete search history.

(56) **References Cited**

U.S. PATENT DOCUMENTS

D701,972 S * 4/2014 Ohmae D24/229
D720,470 S * 12/2014 Lober D24/227
9,389,154 B2 * 7/2016 Knorr B01L 3/5457
D799,058 S * 10/2017 Kennedy D24/227
D802,787 S * 11/2017 Shanafelter D24/227
D804,682 S * 12/2017 Taylor D24/225
D806,574 S * 1/2018 Ozenne D9/737
D815,752 S * 4/2018 Jackson D24/224
D817,511 S * 5/2018 Taylor D24/225
D818,604 S * 5/2018 Smith D24/229
D862,727 S * 10/2019 Hart D24/224
D865,215 S * 10/2019 Dangelo D24/224
D871,611 S * 12/2019 Lamerton D24/229
2014/0234182 A1 * 8/2014 Motadel B01L 9/543
422/526
2015/0260621 A1 * 9/2015 Scott B01L 9/52
435/7.1
2019/0316993 A1 * 10/2019 Lupo G01N 1/31

* cited by examiner

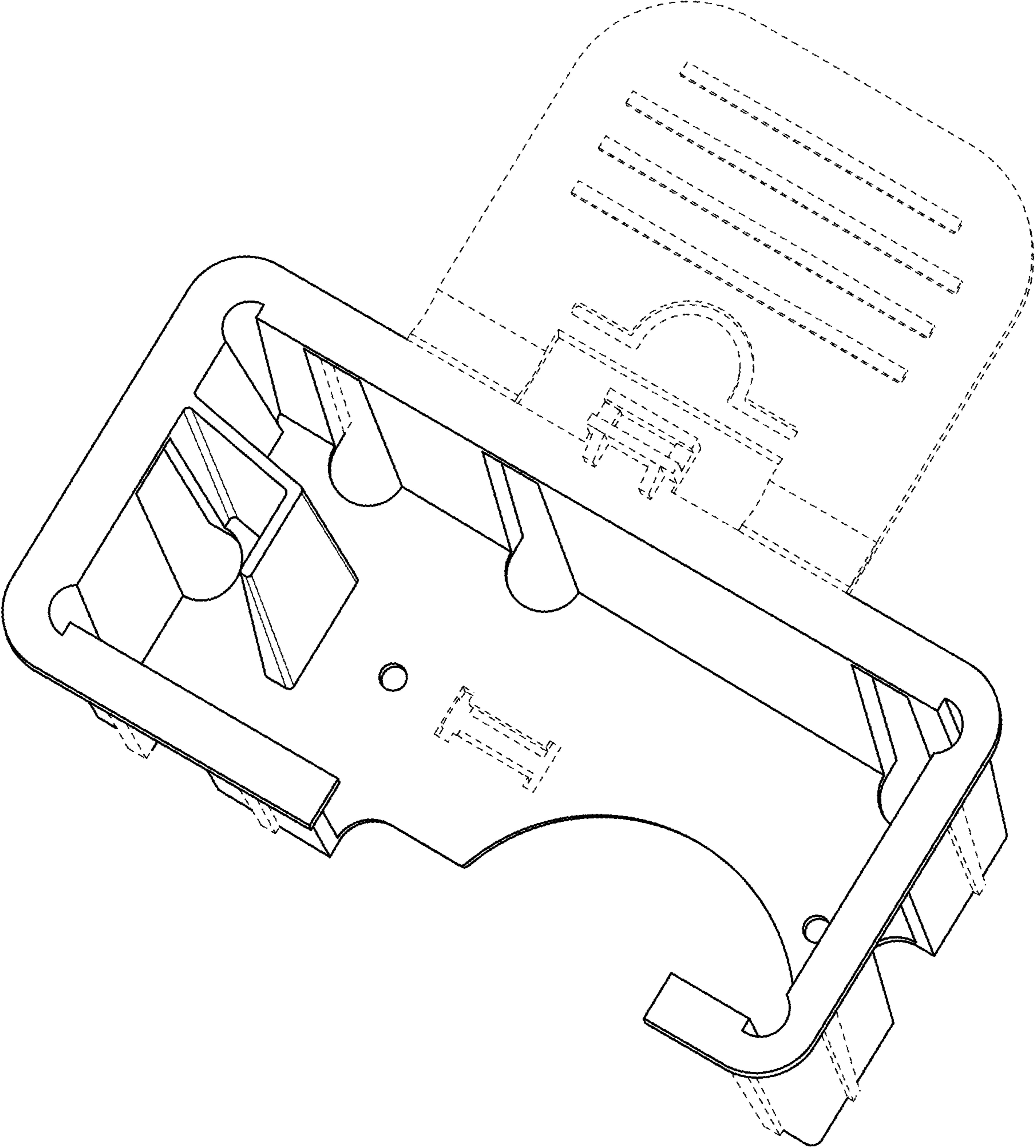


FIG. 1

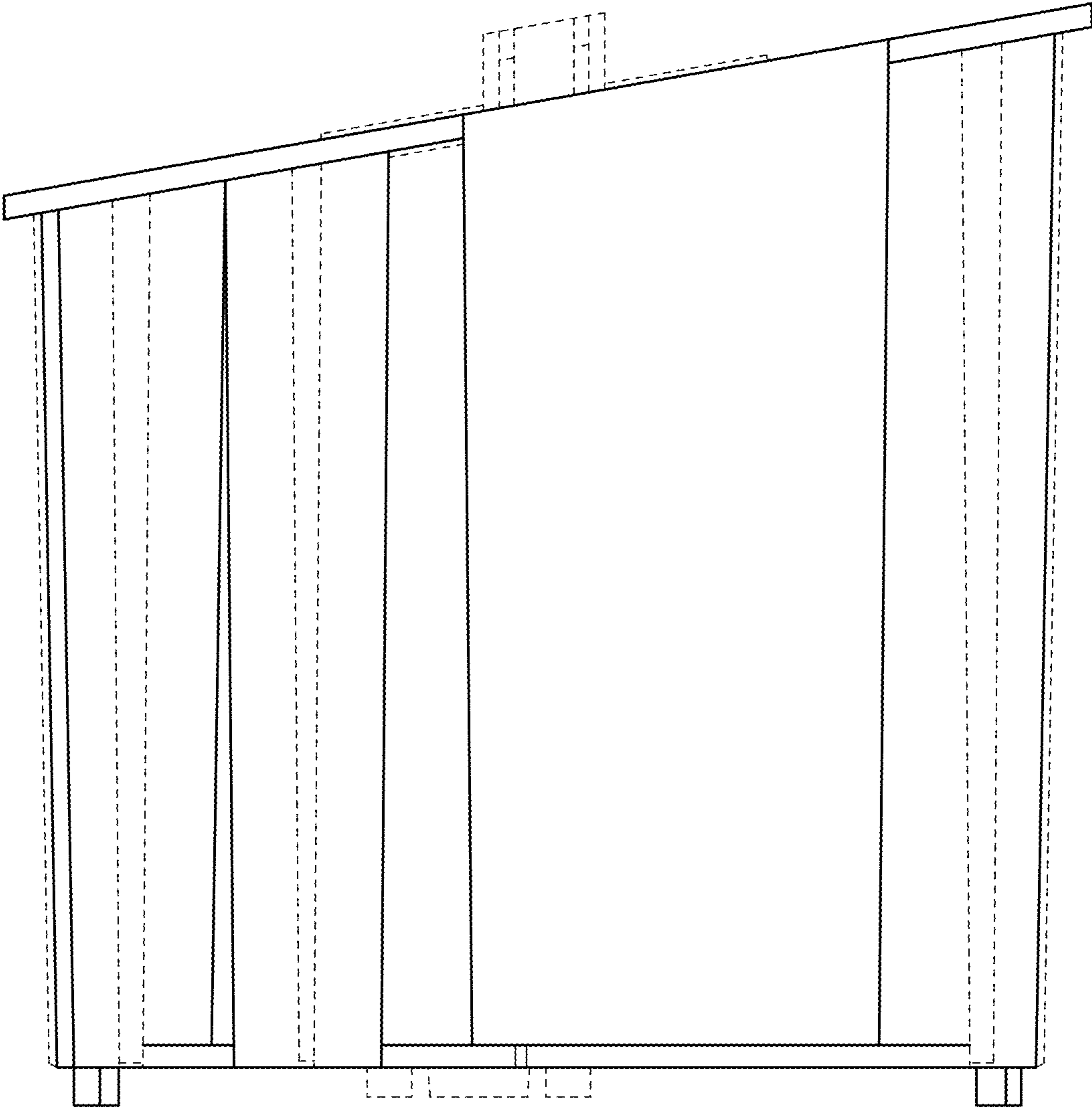


FIG. 2

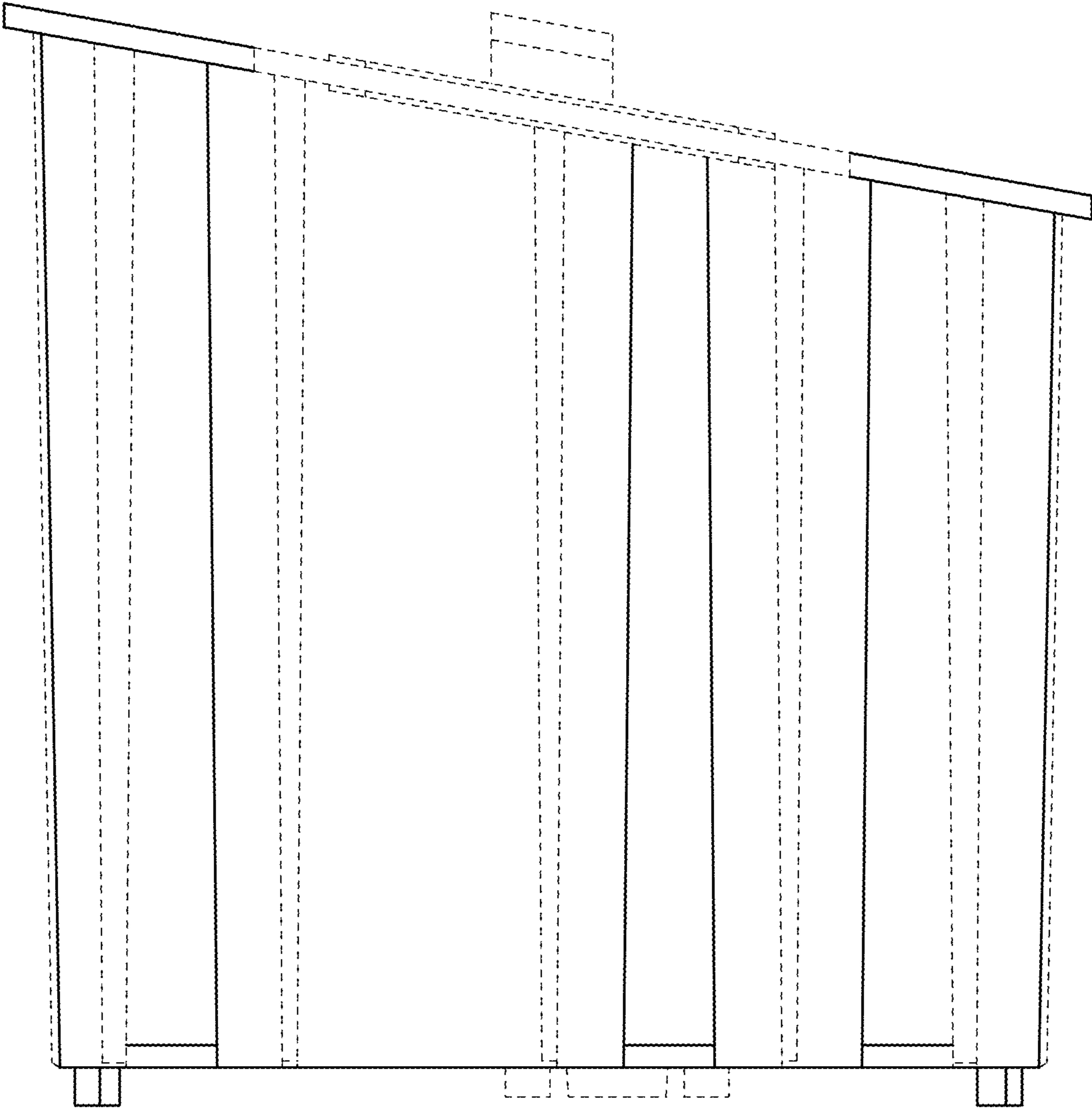


FIG. 3

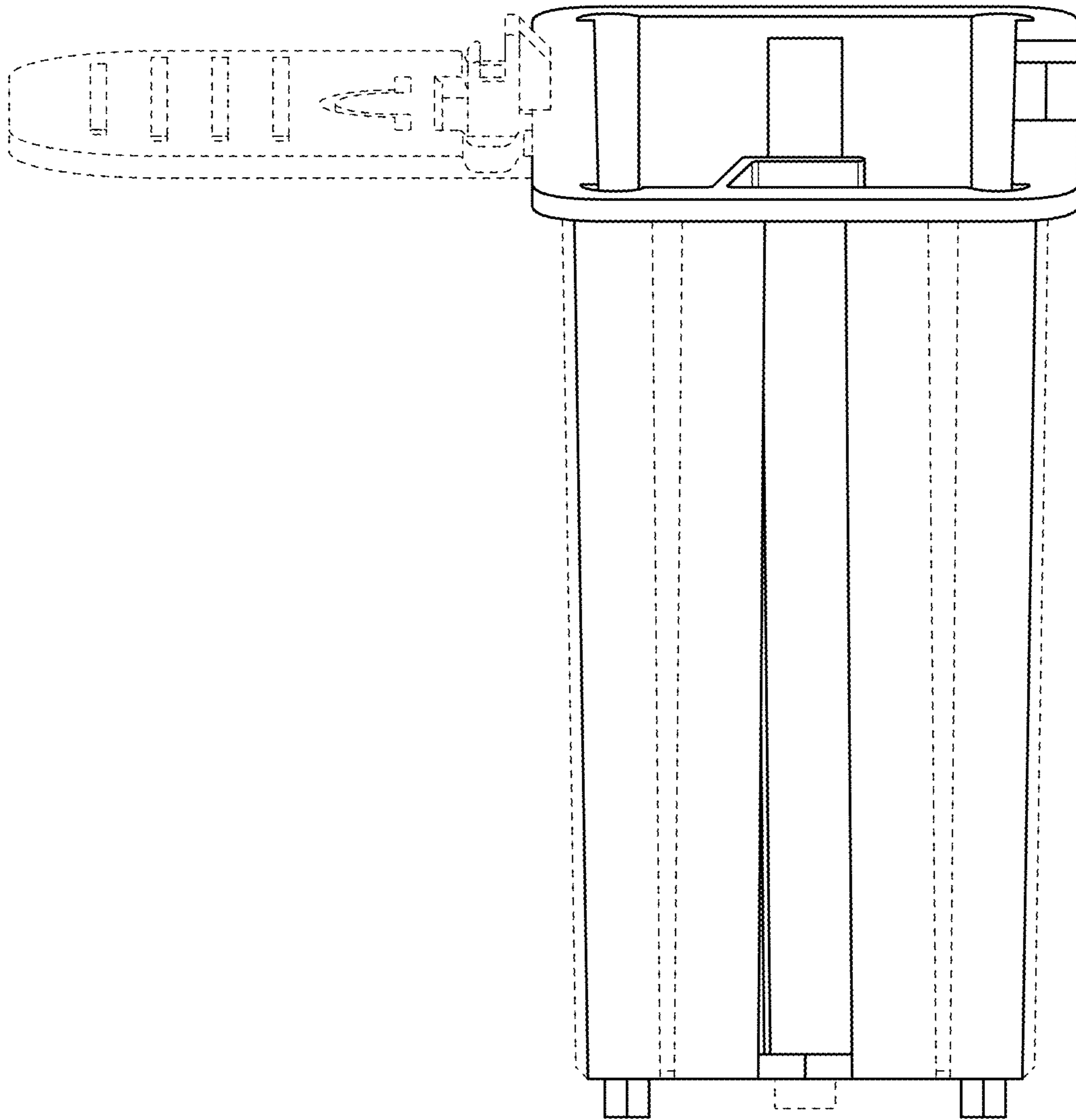


FIG. 4

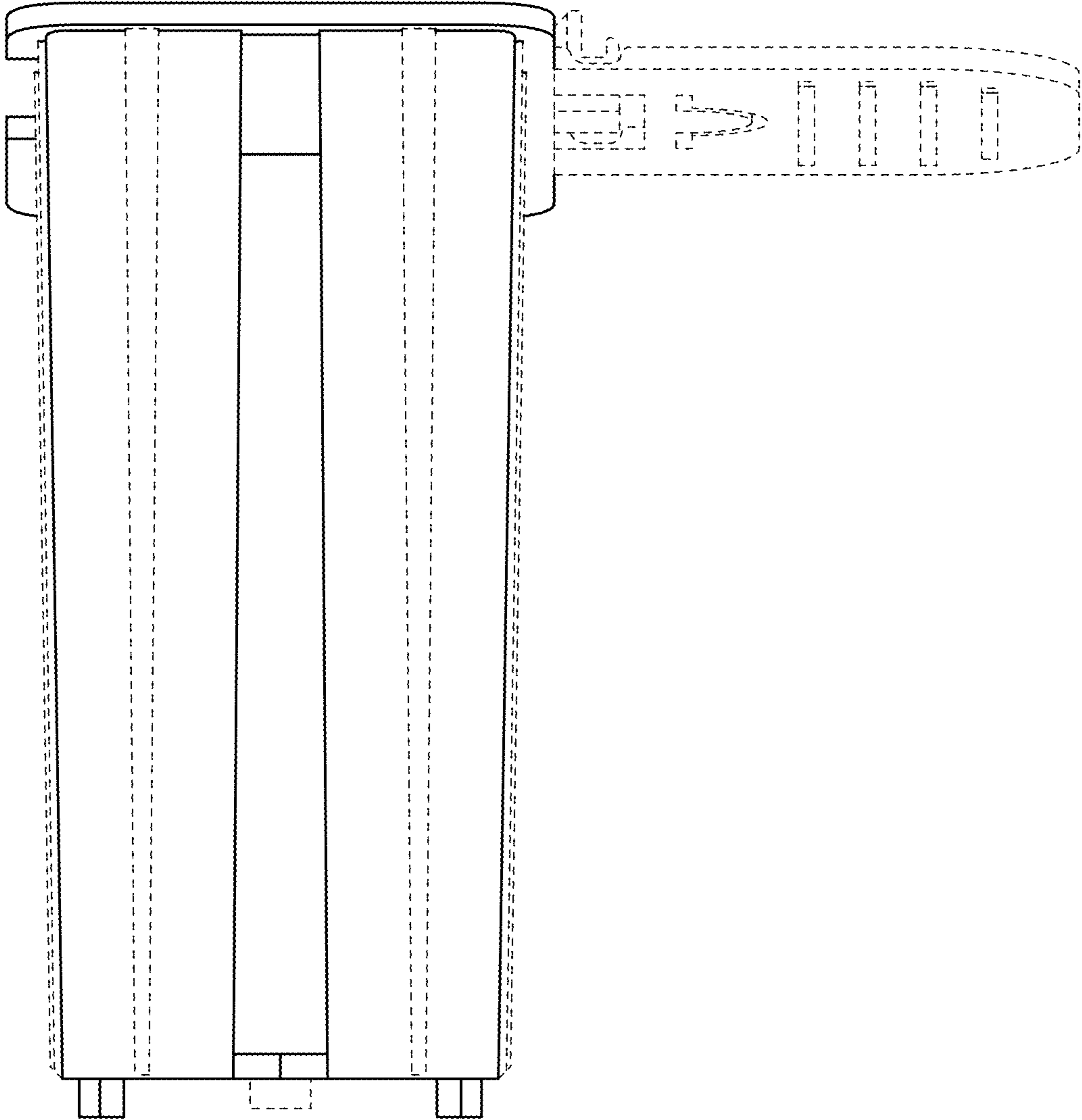


FIG. 5

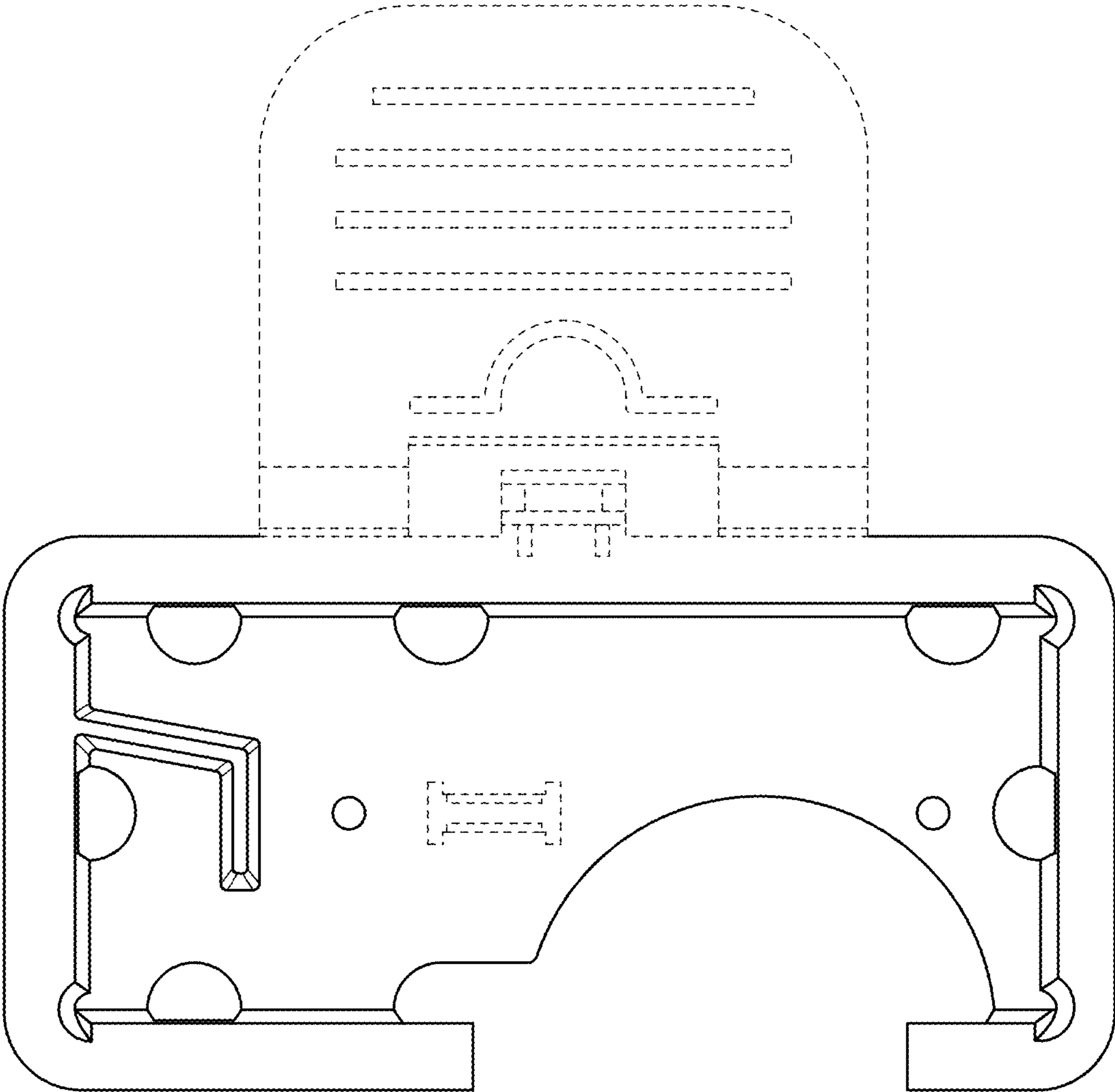


FIG. 6

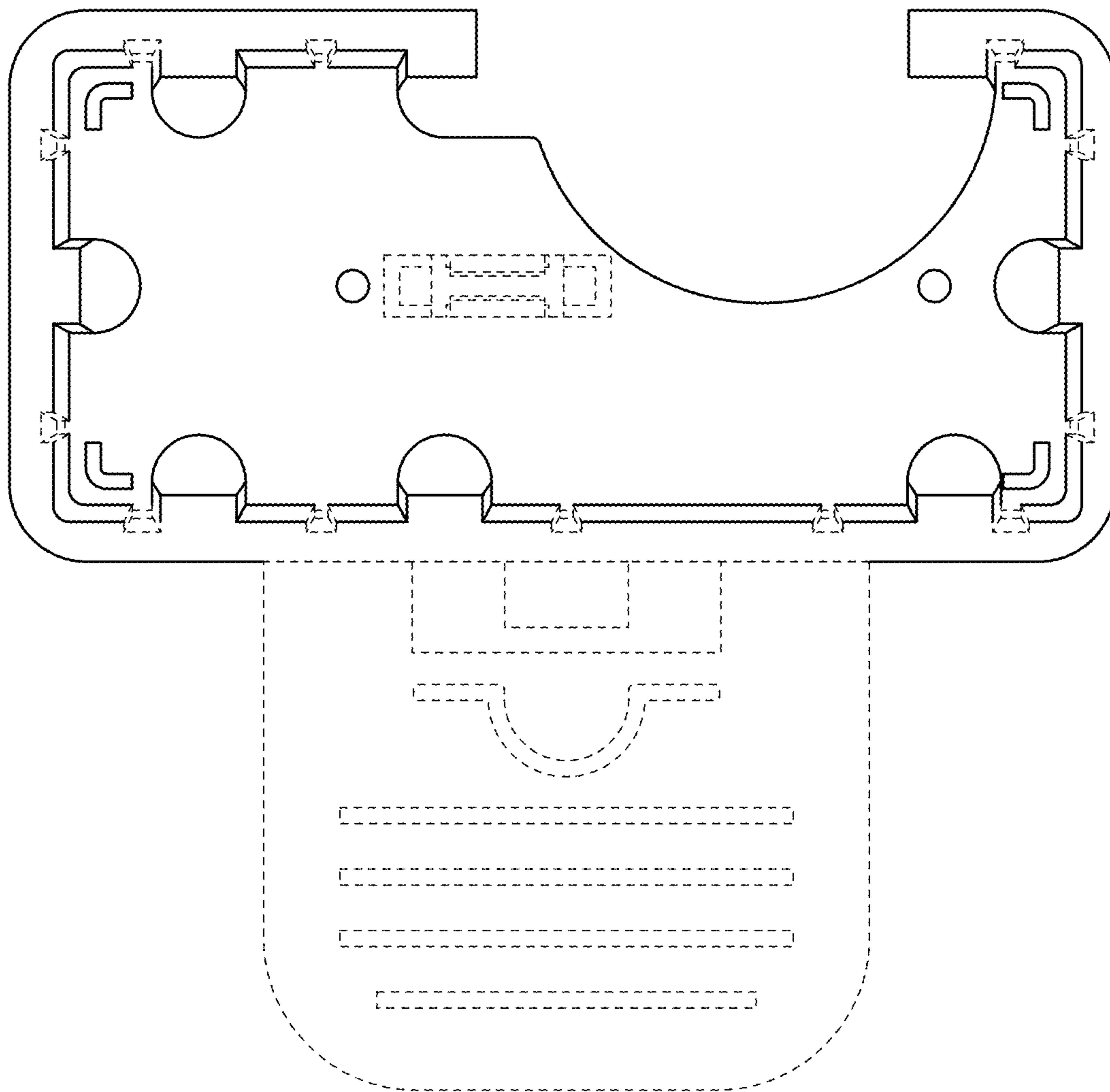


FIG. 7

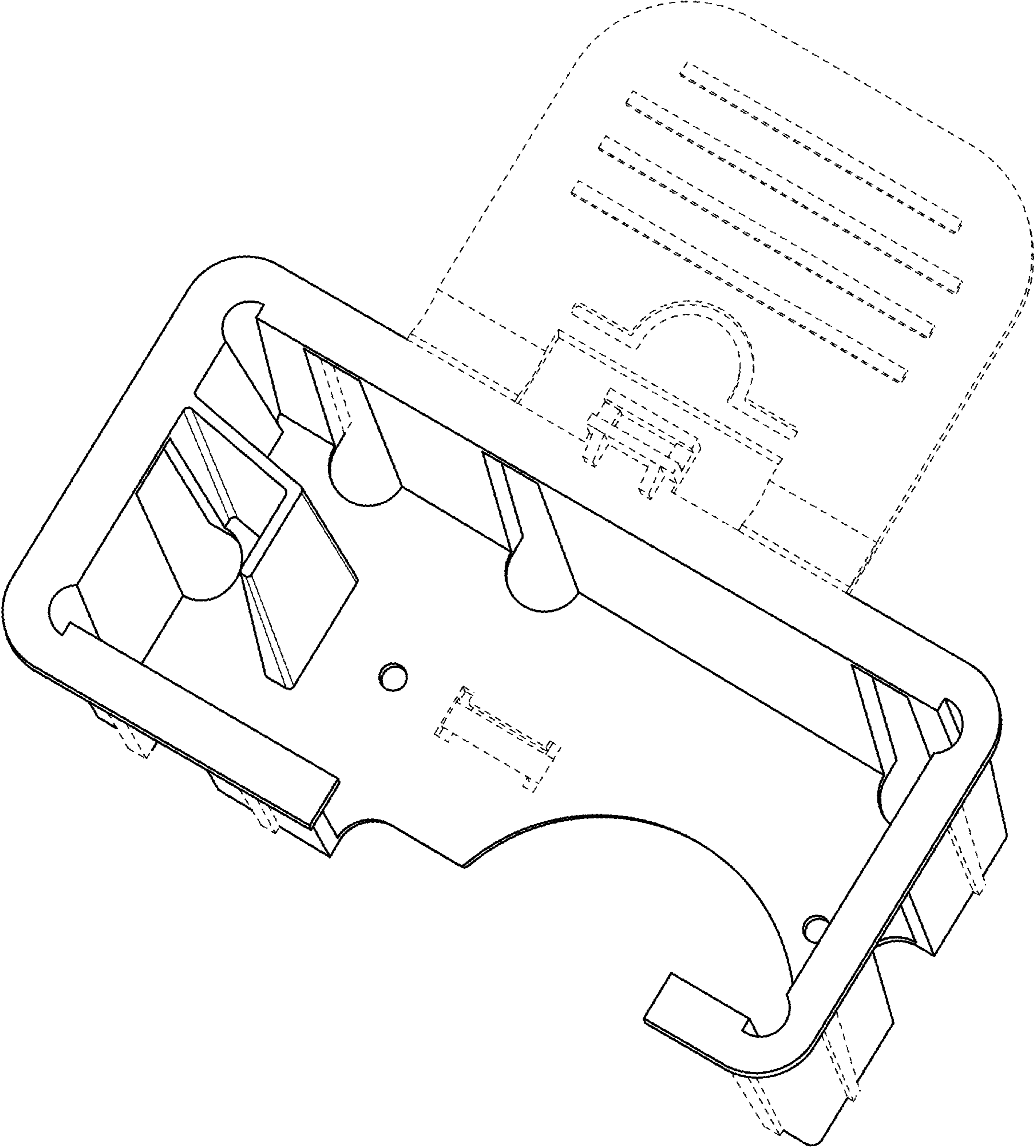


FIG. 8

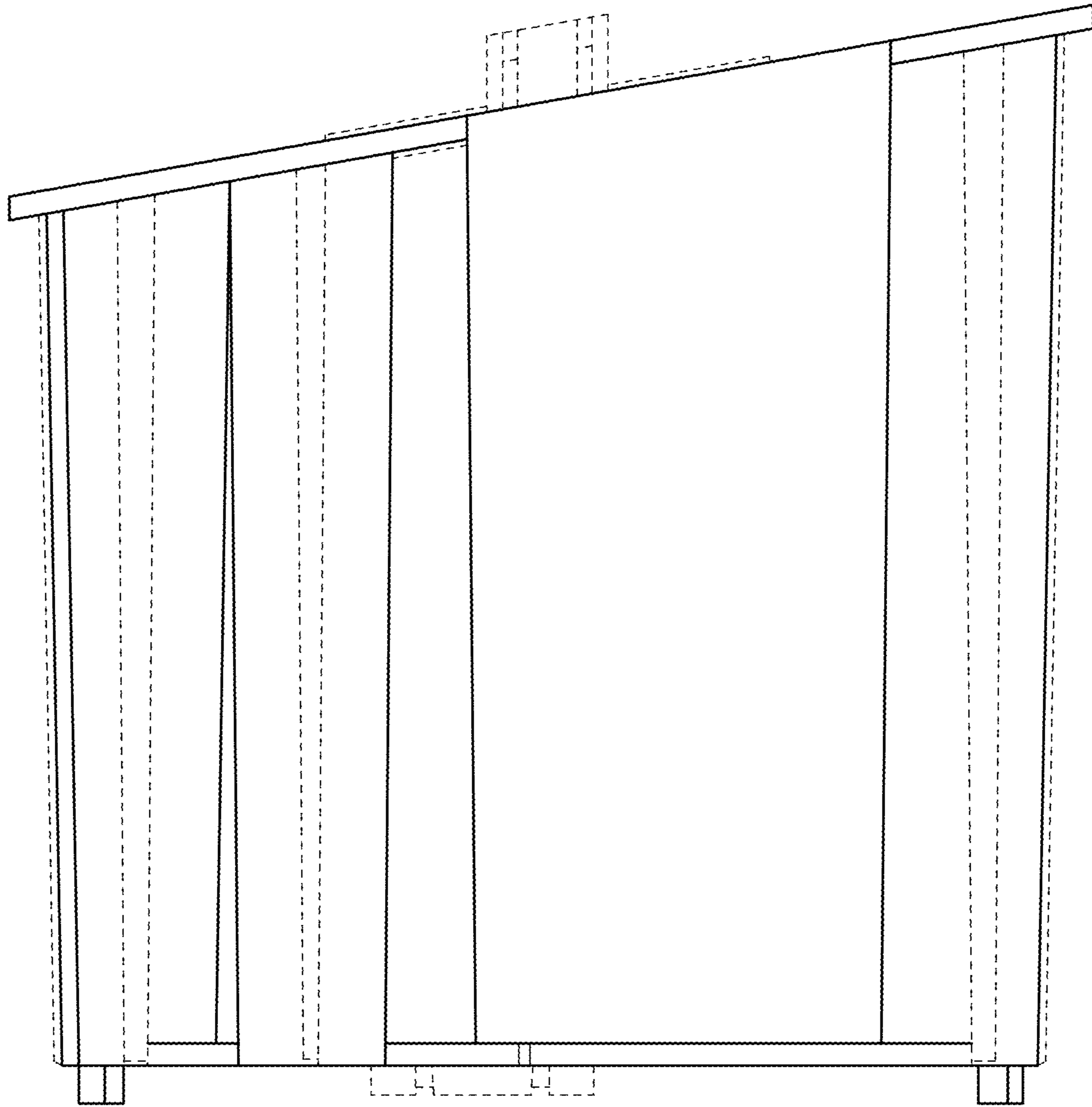


FIG. 9

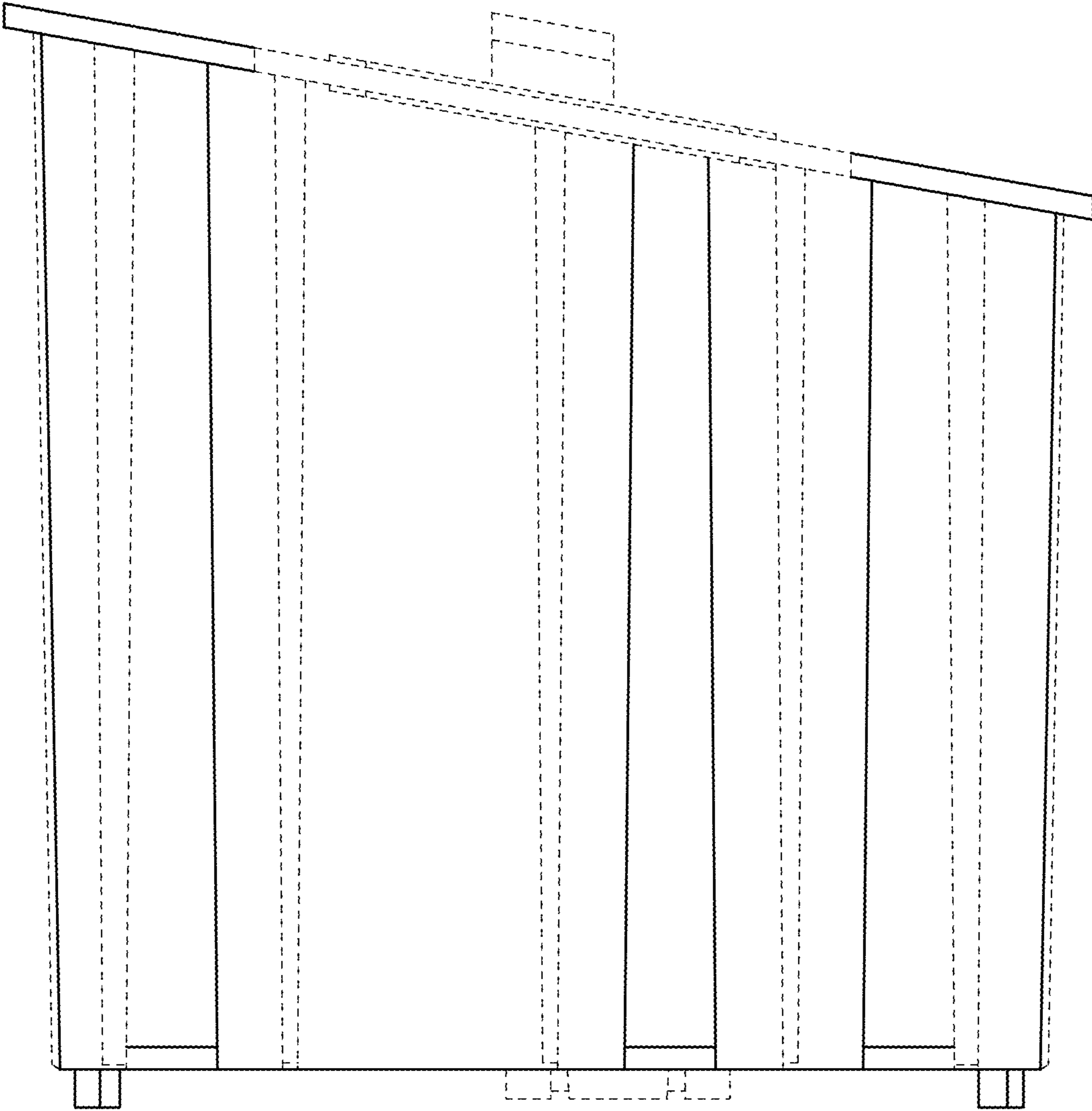


FIG. 10

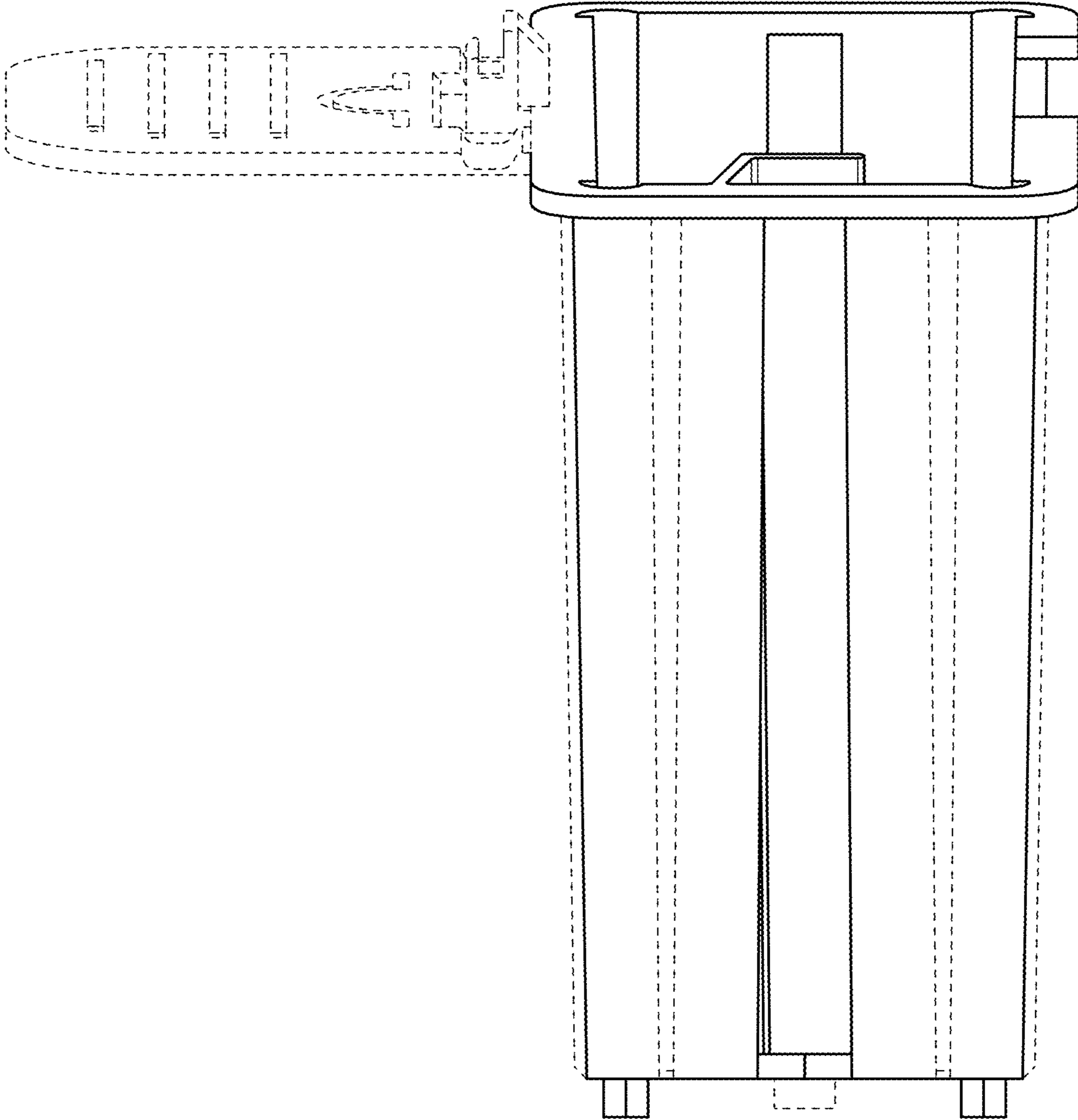


FIG. 11

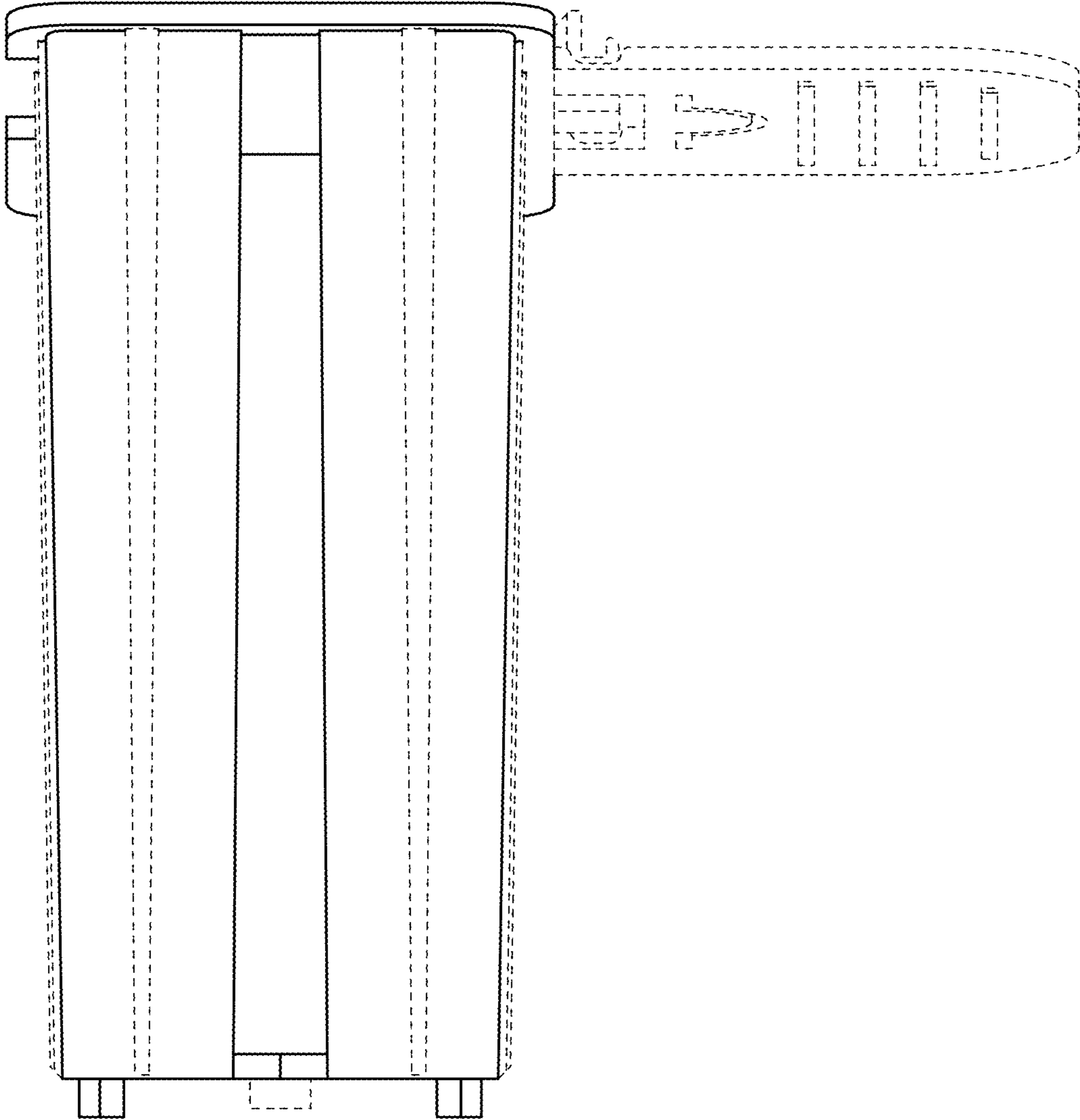


FIG. 12

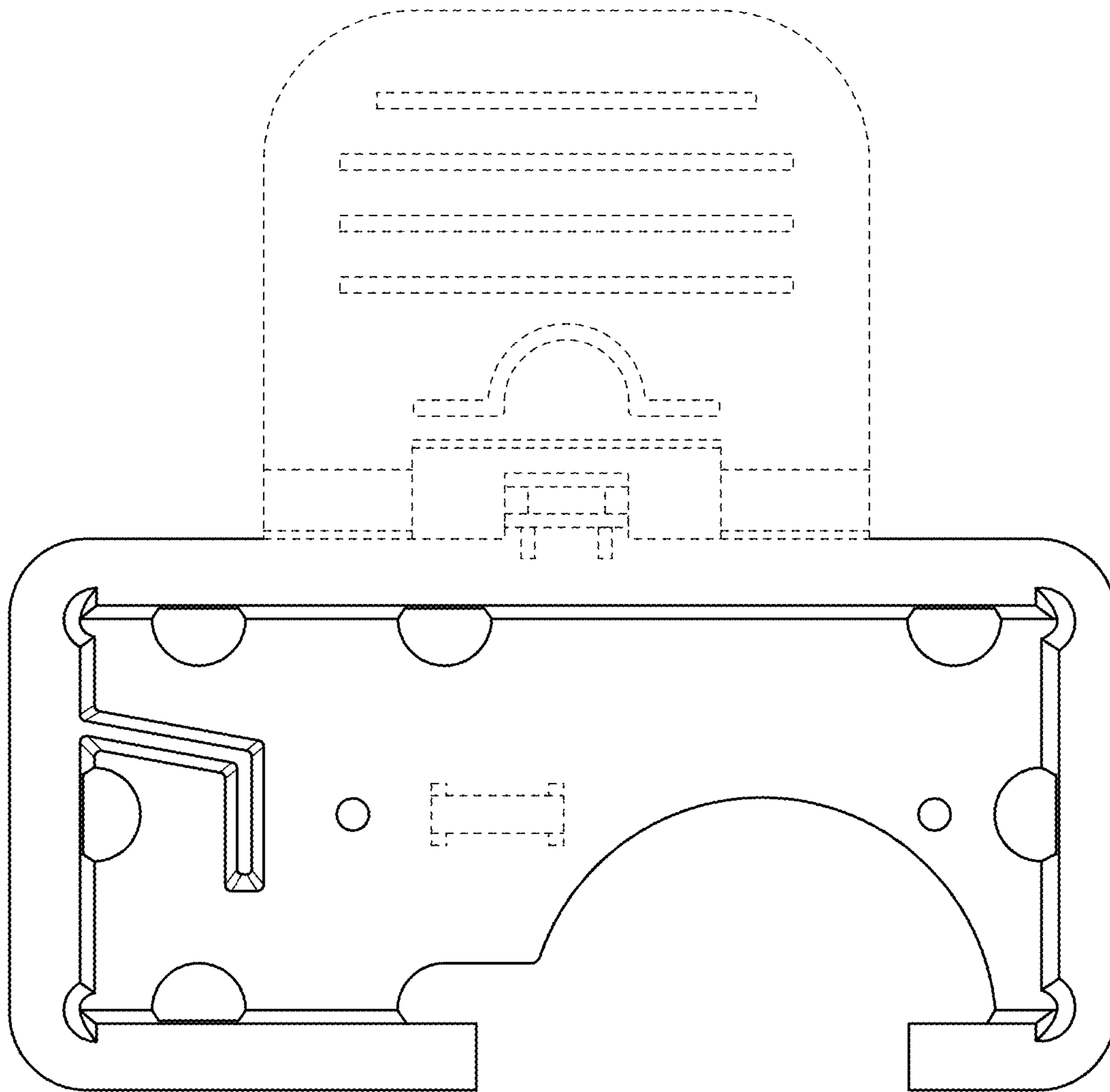


FIG. 13

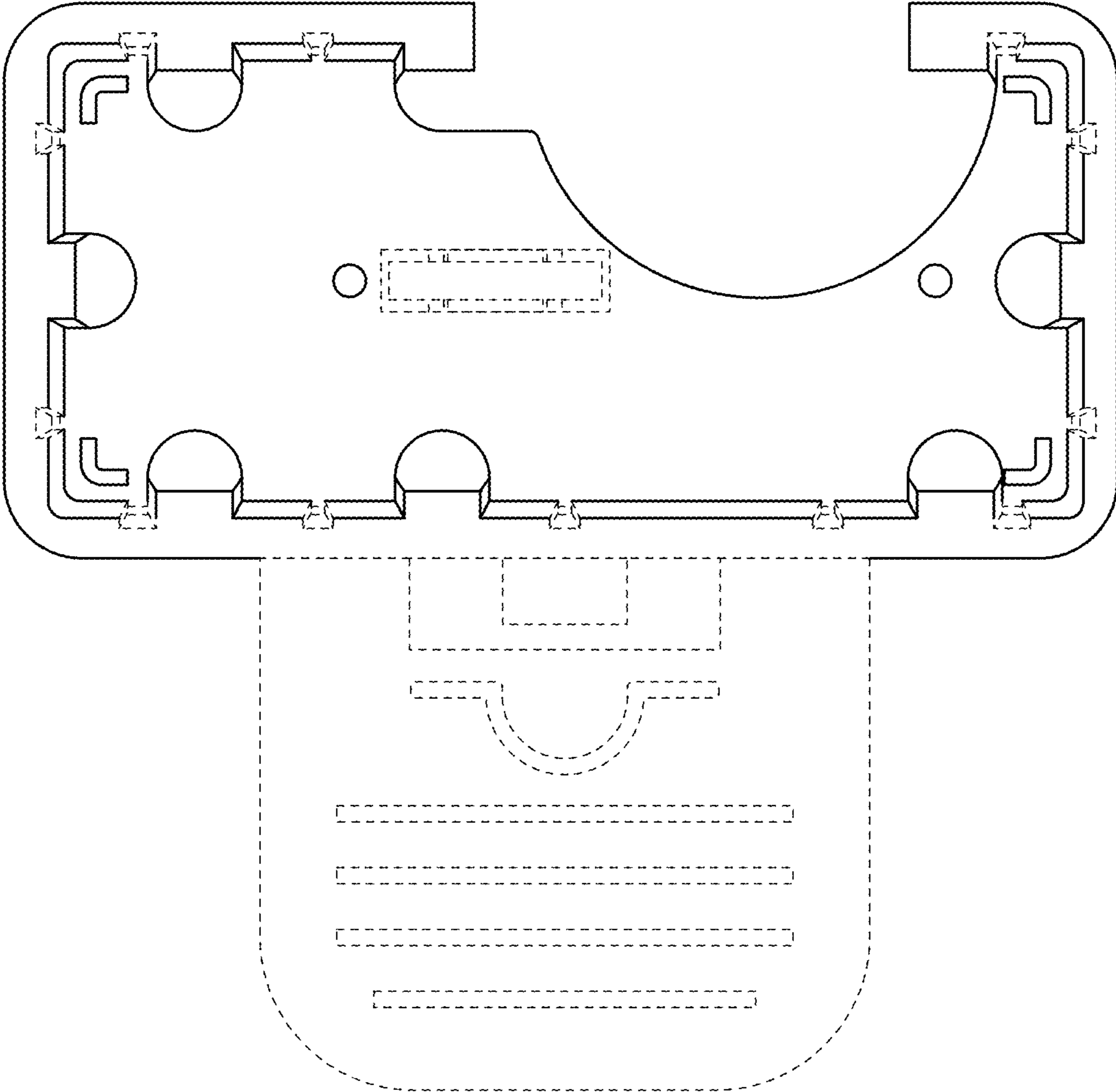


FIG. 14