



US00D987106S

(12) **United States Design Patent** (10) **Patent No.:** **US D987,106 S**  
**Dangelo et al.** (45) **Date of Patent:** **\*\* May 23, 2023**

(54) **CARTRIDGE CHASSIS**

- (71) Applicant: **Illumina, Inc.**, San Diego, CA (US)
- (72) Inventors: **Michael Thomas Dangelo**, San Diego, CA (US); **James Michael Osmus**, San Diego, CA (US); **Lea Sandra Kobeli**, San Francisco, CA (US); **Edward Wilson Licitra**, San Francisco, CA (US)
- (73) Assignee: **Illumina, Inc.**, San Diego, CA (US)
- (\*\*) Term: **15 Years**
- (21) Appl. No.: **29/704,783**
- (22) Filed: **Sep. 6, 2019**

**Related U.S. Application Data**

- (62) Division of application No. 29/589,643, filed on Jan. 3, 2017, now Pat. No. Des. 864,412.
- (51) **LOC (14) Cl.** ..... **24-01**
- (52) **U.S. Cl.**  
USPC ..... **D24/224**
- (58) **Field of Classification Search**  
USPC ..... D24/107, 121, 133, 183, 184, 224–225, D24/227, 233; D6/596, 601; D9/523, D9/547, 549, 550, 724, 732  
(Continued)

(56) **References Cited**

**U.S. PATENT DOCUMENTS**

- D282,352 S \* 1/1986 Hoefler ..... D24/233
  - 4,798,292 A 1/1989 Hauze
- (Continued)

**FOREIGN PATENT DOCUMENTS**

TW D182357 S 4/2017

**OTHER PUBLICATIONS**

U.S. Ex Parte Quayle Action dated Mar. 8, 2019, in U.S. Appl. No. 29/589,638.

(Continued)

*Primary Examiner* — Michael A. Pratt  
(74) *Attorney, Agent, or Firm* — Weaver Austin Villeneuve & Sampson LLP

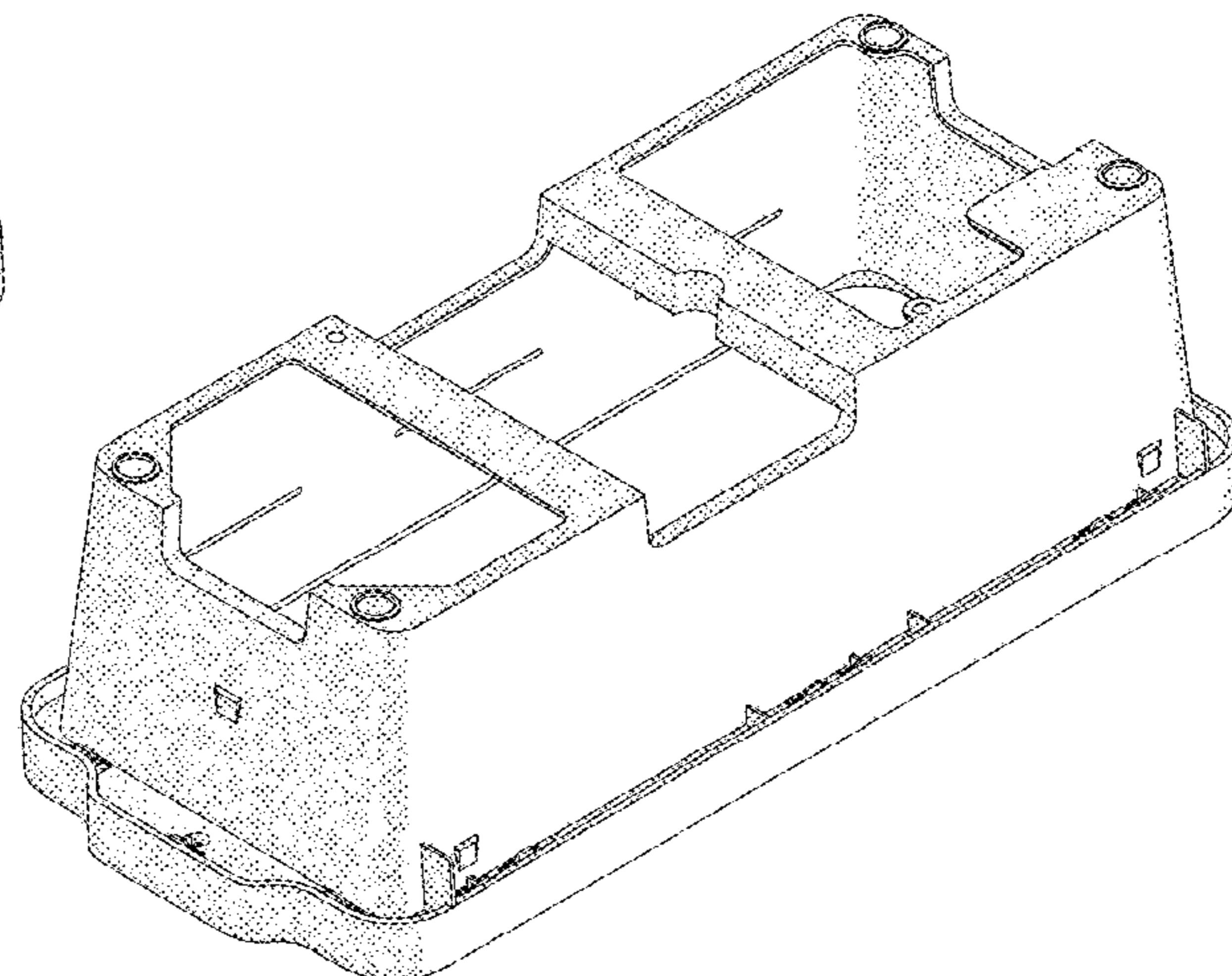
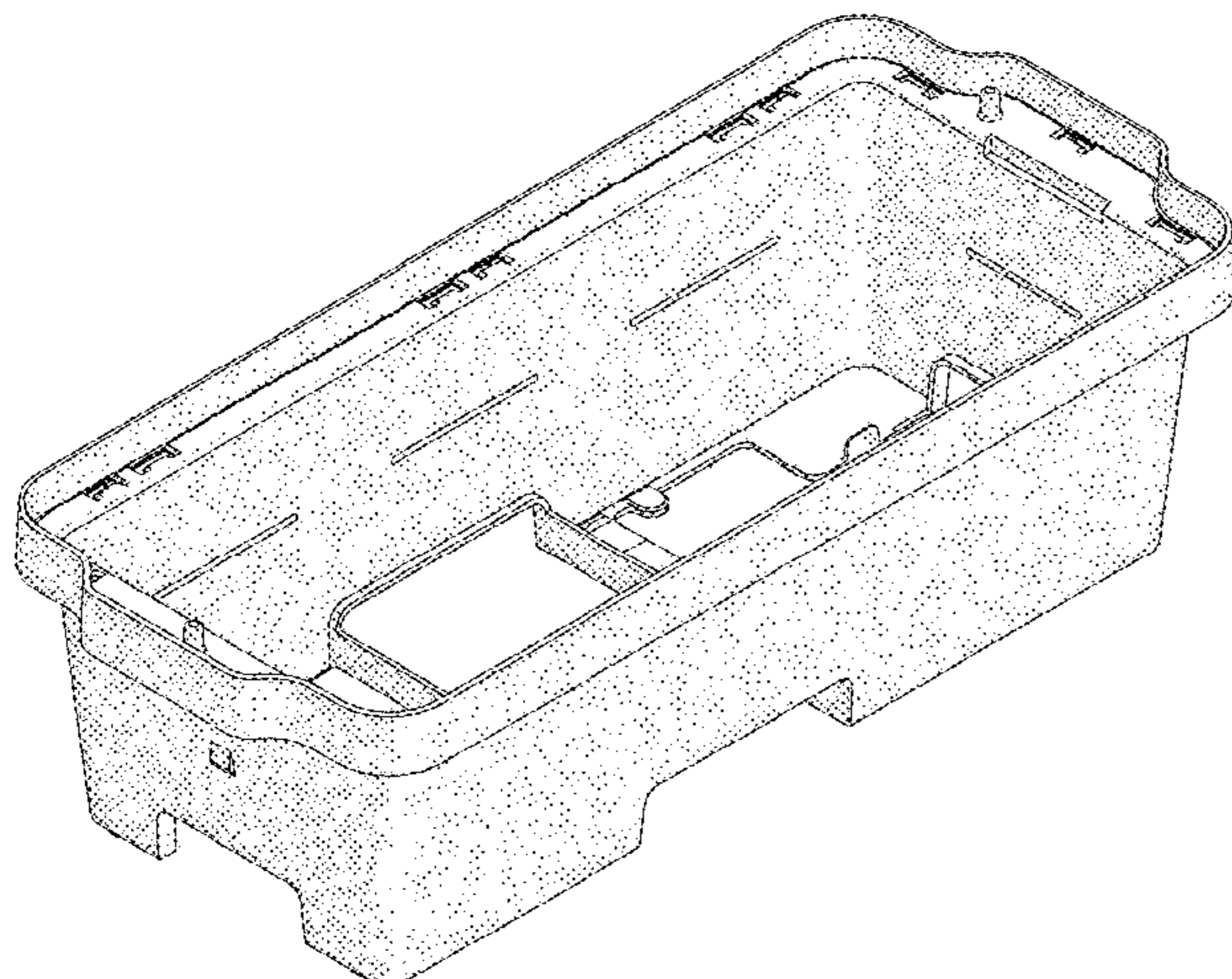
(57) **CLAIM**

We claim the ornamental design for a cartridge chassis, as shown and described.

**DESCRIPTION**

FIG. 1 is an isometric view of a cartridge chassis.  
 FIG. 2 is a right side view thereof.  
 FIG. 3 is a left side view thereof.  
 FIG. 4 is a top view thereof.  
 FIG. 5 is a bottom view thereof.  
 FIG. 6 is a rear view thereof.  
 FIG. 7 is a front view thereof.  
 FIG. 8 is an off-angle perspective view of the underside thereof; and,  
 FIG. 9 is another off-angle perspective view of the underside thereof.  
 FIGS. 10-18 correspond to FIGS. 1-9, respectively, but for a second embodiment of a cartridge chassis without shading or disclaimed subject matter and including tangent lines, which are shown as dashed or dotted lines in these Figures. The cartridge chassis in the accompanying figures may be used to provide a cartridge for use in DNA sequencing. The cartridge chassis may be configured to receive an insert that may be used to contain one or more liquids, solutions, DNA, chemicals, or other media, such as reagents, and may be configured to be inserted into a DNA sequencing apparatus. Stipple shading is used in the accompanying FIGS. 1-9 to convey surface contouring and is not indicative of any particular texture or coloring.

(Continued)



The dashed or dotted lines in FIGS. 10-18 depict tangent lines that represent smooth transitions between a surface and a rounded surface and form a part of the claimed design.

**1 Claim, 18 Drawing Sheets**

**(58) Field of Classification Search**

CPC ..... A61G 1/04-048; A61G 5/12-128; B01L 3/00

See application file for complete search history.

**(56) References Cited**

U.S. PATENT DOCUMENTS

D332,664 S	1/1993	Sincock	
D339,869 S	9/1993	Schea, III et al.	
D438,632 S	3/2001	Miller	
D451,278 S	12/2001	Cooper	
D510,802 S	10/2005	Sagol	
7,036,667 B2	5/2006	Greenstein et al.	
D564,349 S *	3/2008	Schumaier .....	D9/425
D565,742 S	4/2008	Parunak et al.	
D566,291 S	4/2008	Parunak et al.	
D578,758 S	10/2008	Stevens et al.	
D604,604 S	11/2009	Strange	
D608,015 S *	1/2010	Sandel .....	D24/227
D624,194 S	9/2010	Pack et al.	
D632,803 S	2/2011	Motadel et al.	
D657,473 S	4/2012	Miyashita et al.	
D674,112 S	1/2013	Demas et al.	
D679,025 S *	3/2013	Motadel .....	D24/227
D691,733 S	10/2013	Demas et al.	
D699,370 S	2/2014	Motadel et al.	
D707,847 S *	6/2014	Motadel .....	D24/227
D717,470 S	11/2014	Demas et al.	
D724,236 S	3/2015	Motadel et al.	
D732,186 S	6/2015	Burroughs et al.	
9,198,811 B2	12/2015	Pizzato et al.	
9,610,126 B2	4/2017	Griffin	
D825,774 S	8/2018	Self et al.	
D827,149 S	8/2018	Self et al.	
10,071,381 B2	9/2018	Welch et al.	
D849,558 S *	5/2019	Osmus .....	D9/742
D864,411 S	10/2019	Dangelo et al.	

D864,412 S	10/2019	Dangelo et al.	
D865,213 S	10/2019	Dangelo et al.	
D865,214 S	10/2019	Dangelo et al.	
D865,215 S *	10/2019	Dangelo .....	D24/224
D880,722 S *	4/2020	Hart .....	D24/227
2003/0129089 A1 *	7/2003	Arnold, Jr. ....	G01N 35/10 422/526
2005/0150808 A1 *	7/2005	Sarna .....	B01L 9/543 206/557
2010/0221151 A1	9/2010	Motadel et al.	
2011/0236278 A1	9/2011	Motadel et al.	
2014/0234182 A1	8/2014	Motadel et al.	
2016/0001292 A1 *	1/2016	Motadel .....	B65D 25/108 220/608
2017/0008001 A1 *	1/2017	Motadel .....	B01L 9/543

OTHER PUBLICATIONS

U.S. Notice of Allowance dated Jun. 10, 2019, in U.S. Appl. No. 29/589,638.

U.S. Ex Parte Quayle Action dated Oct. 19, 2018, in U.S. Appl. No. 29/589,640.

U.S. Ex Parte Quayle Action dated Mar. 11, 2019, in U.S. Appl. No. 29/589,640.

U.S. Notice of Allowance dated Jun. 6, 2019, in U.S. Appl. No. 29/589,640.

U.S. Ex Parte Quayle Action dated Oct. 19, 2018, in U.S. Appl. No. 29/589,641.

U.S. Ex Parte Quayle Action dated Mar. 11, 2019, in U.S. Appl. No. 29/589,641.

U.S. Ex Parte Quayle Action dated Oct. 19, 2018, in U.S. Appl. No. 29/589,642.

U.S. Ex Parte Quayle Action dated Mar. 11, 2019, in U.S. Appl. No. 29/589,642.

U.S. Ex Parte Quayle Action dated Mar. 13, 2019, in U.S. Appl. No. 29/589,643.

U.S. Restriction Requirement dated Oct. 19, 2018 in U.S. Appl. No. 29/589,643.

U.S. Notice of Allowance dated Jun. 6, 2019 in U.S. Appl. No. 29/589,641.

U.S. Notice of Allowance dated Jun. 6, 2019 in U.S. Appl. No. 29/589,642.

U.S. Notice of Allowance dated Jun. 6, 2019 in U.S. Appl. No. 29/589,643.

\* cited by examiner

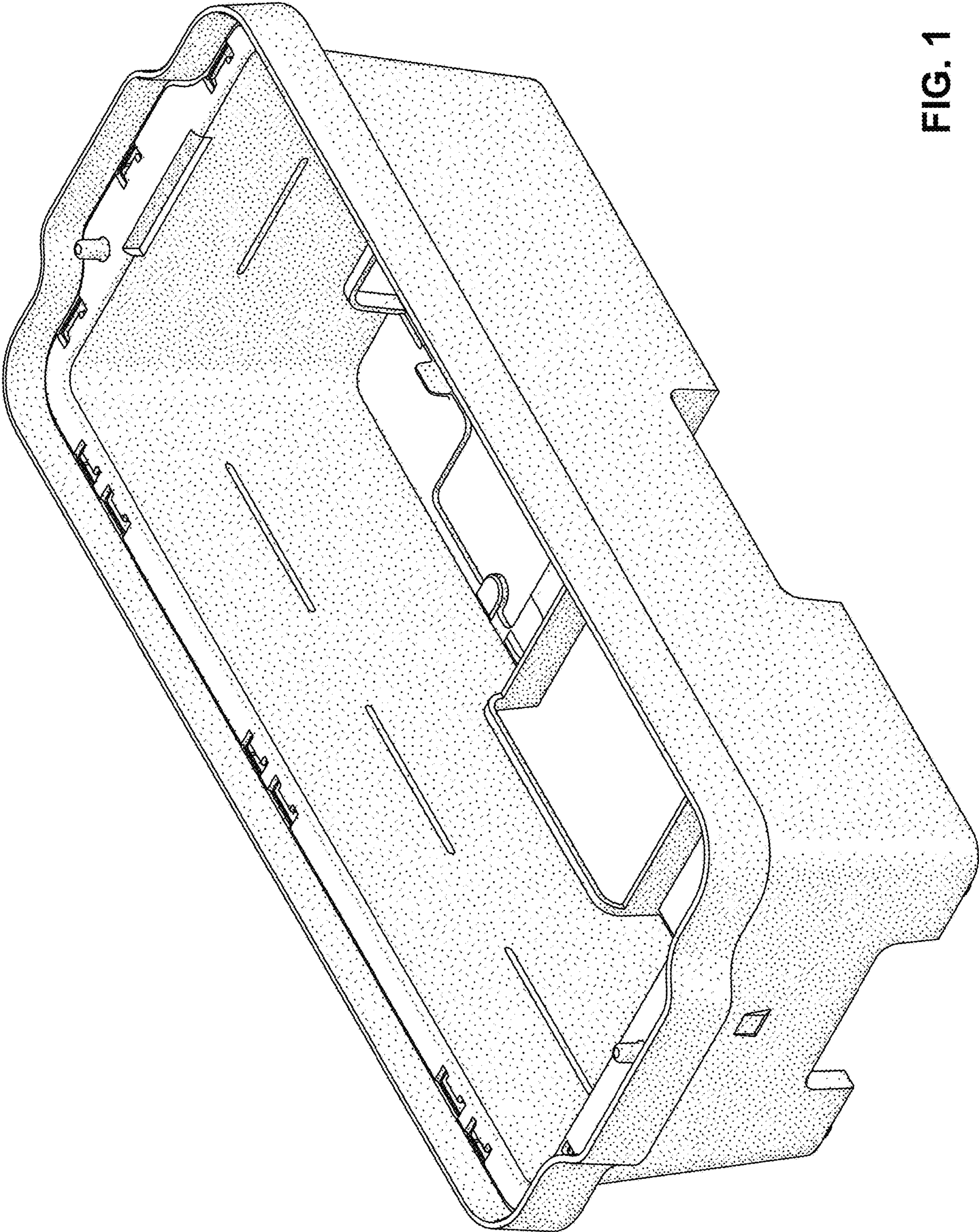


FIG. 1

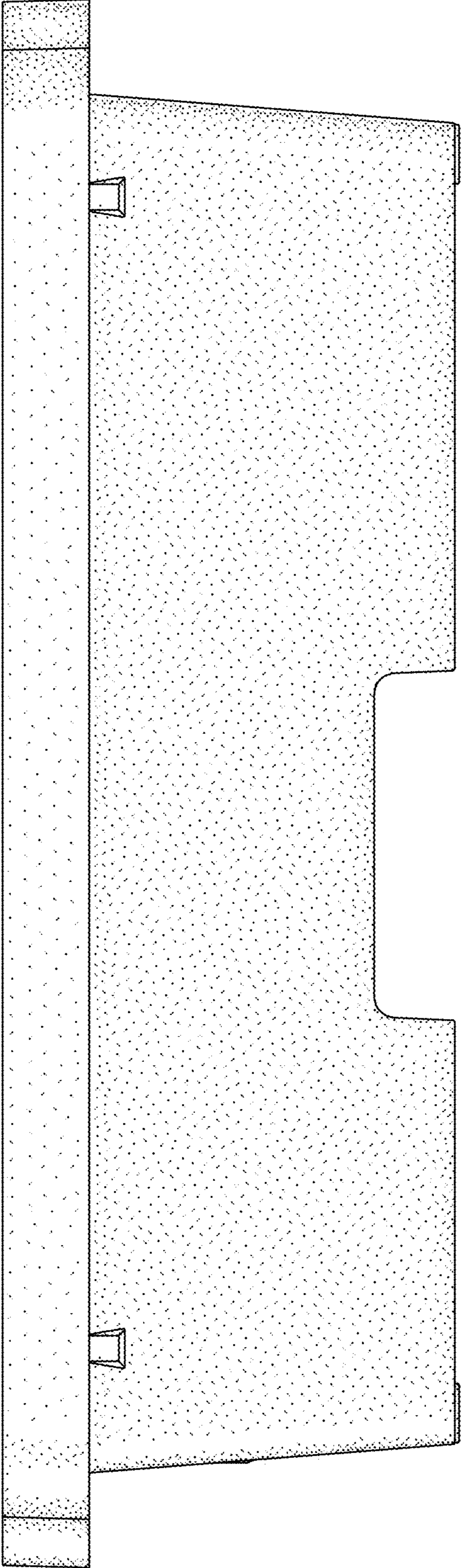


FIG. 2

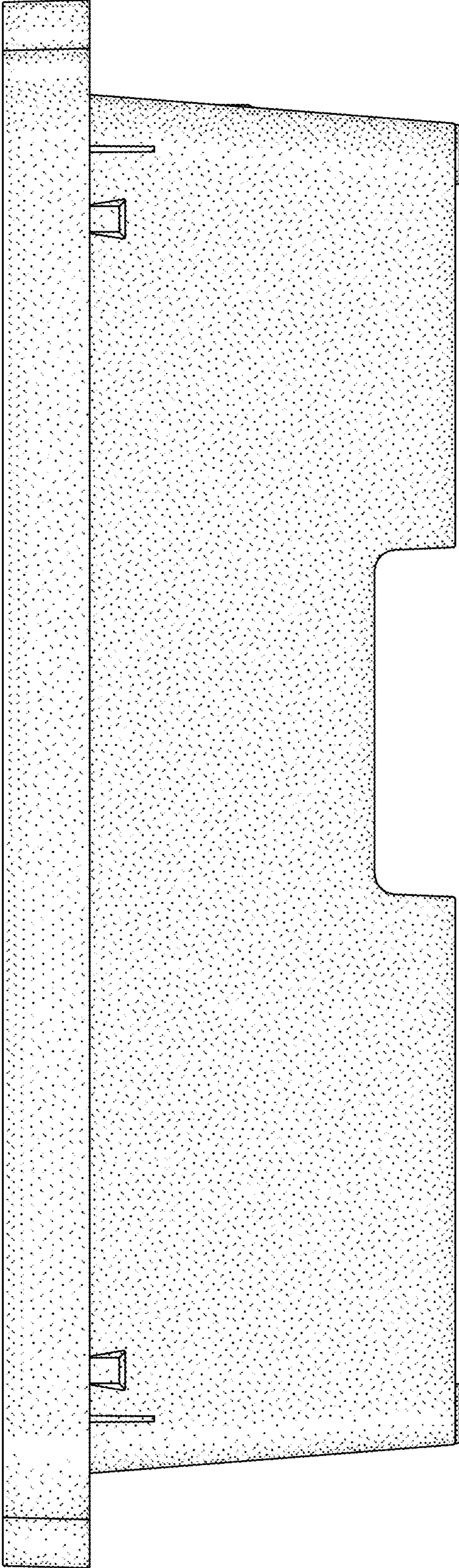


FIG. 3

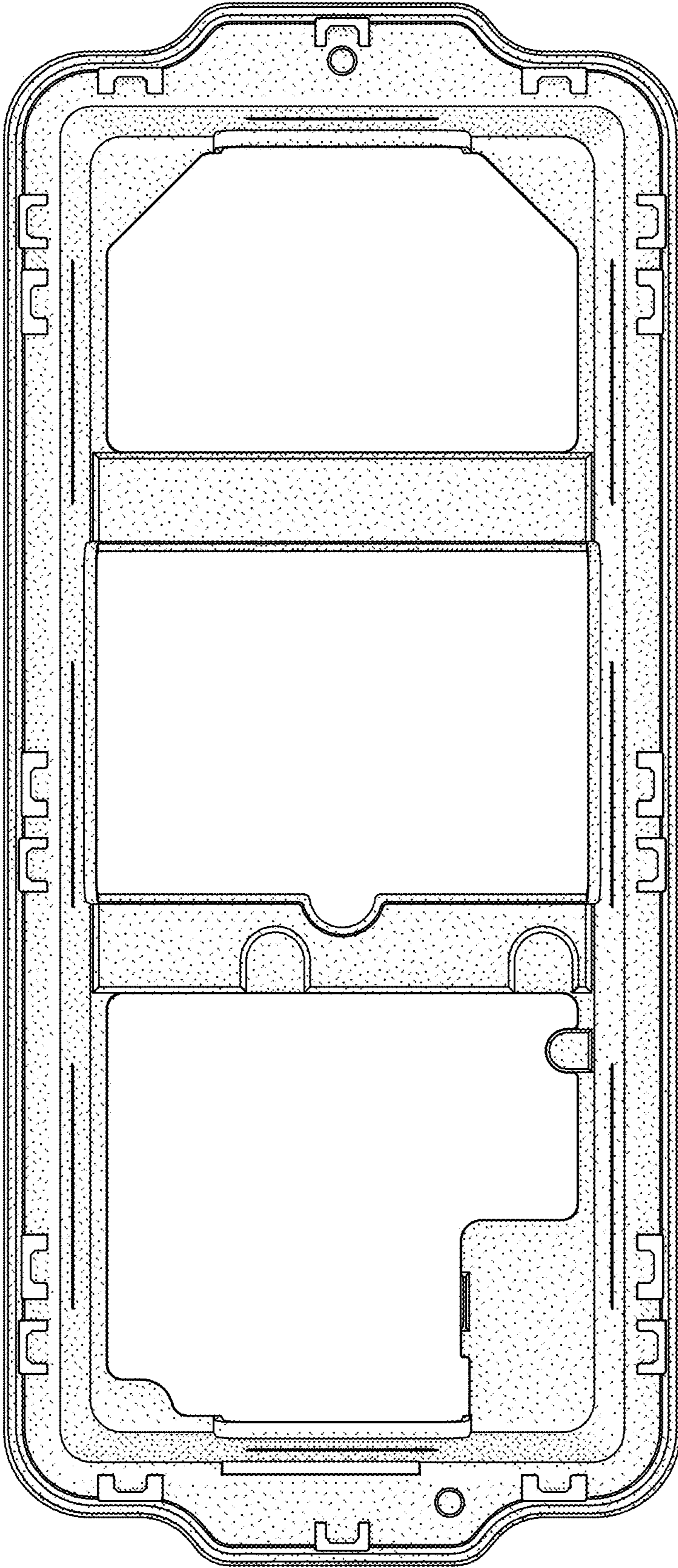


FIG. 4

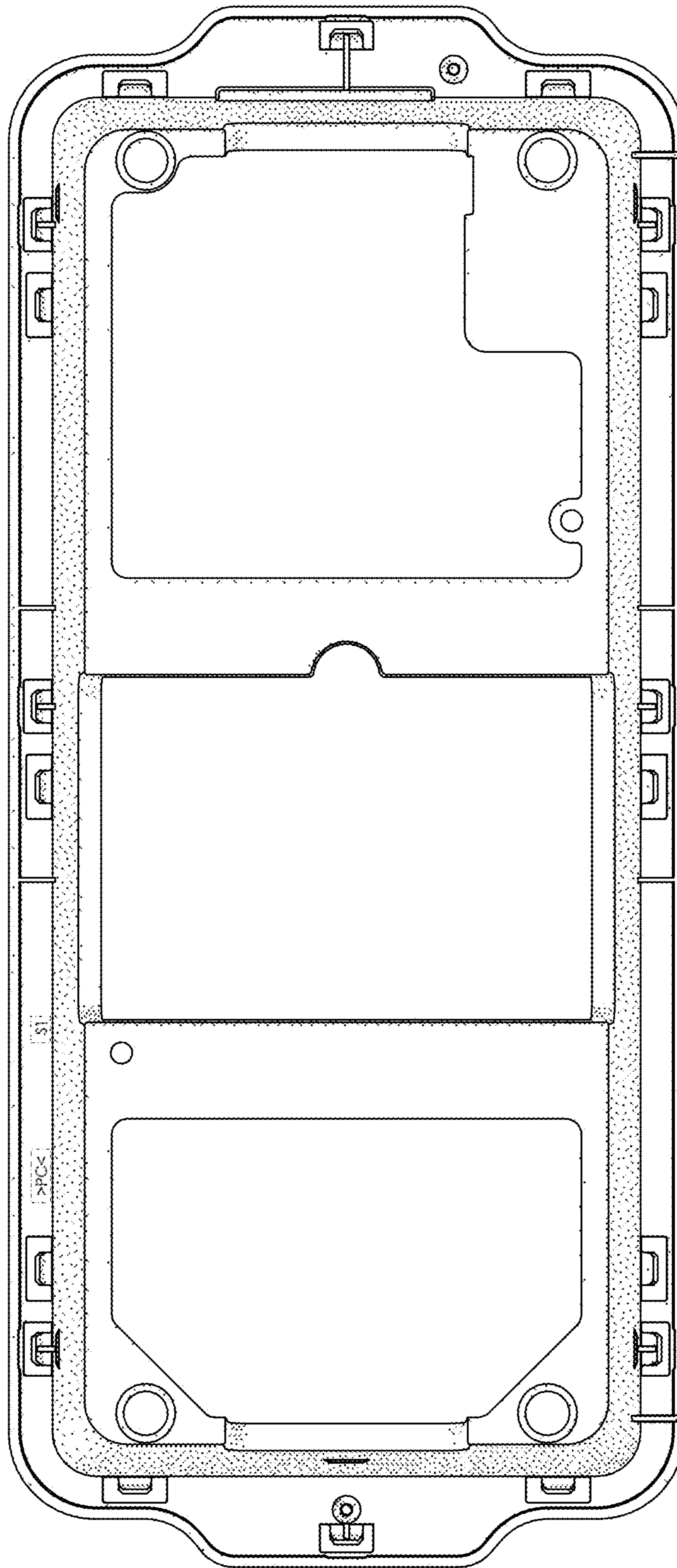


FIG. 5

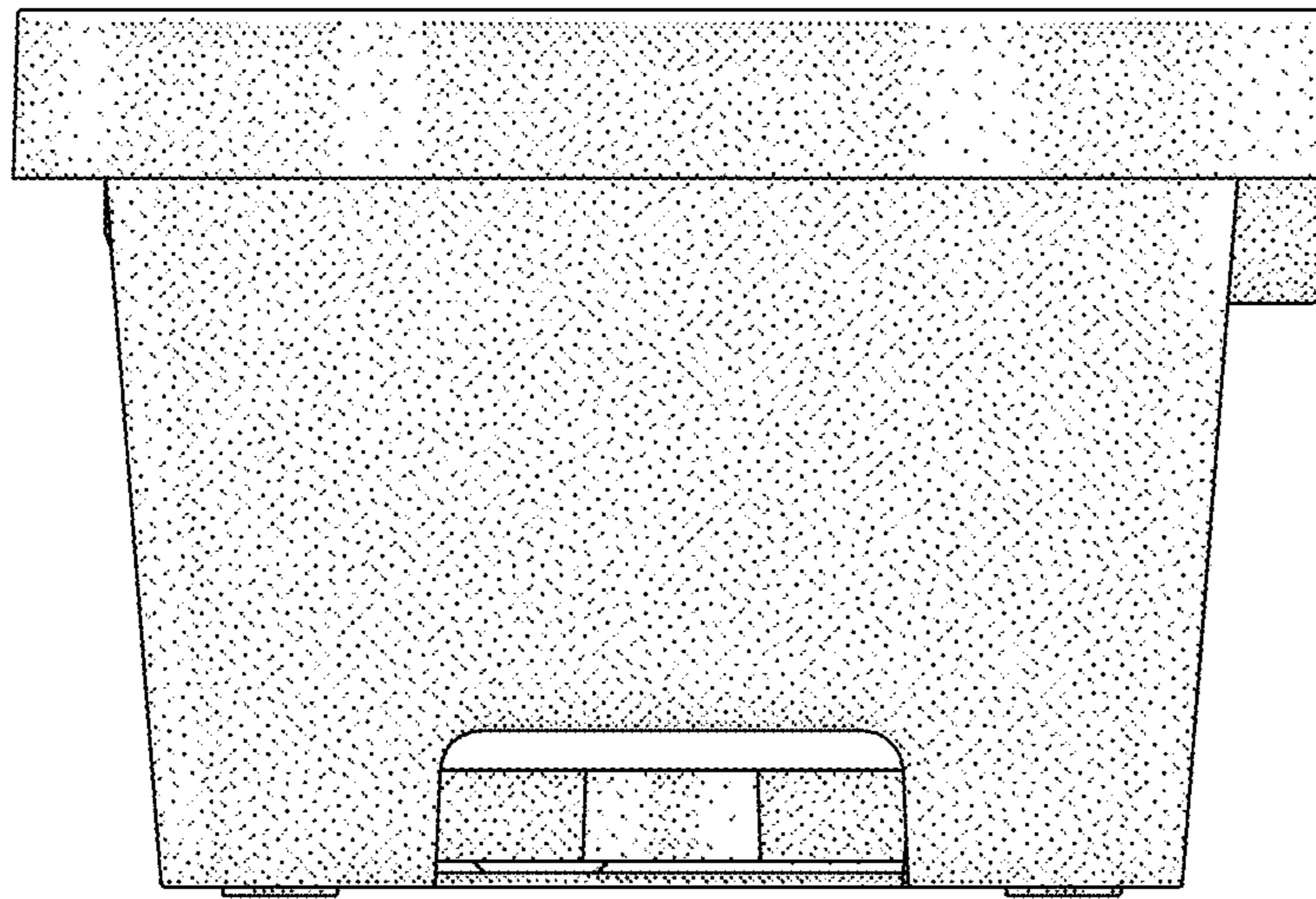


FIG. 6



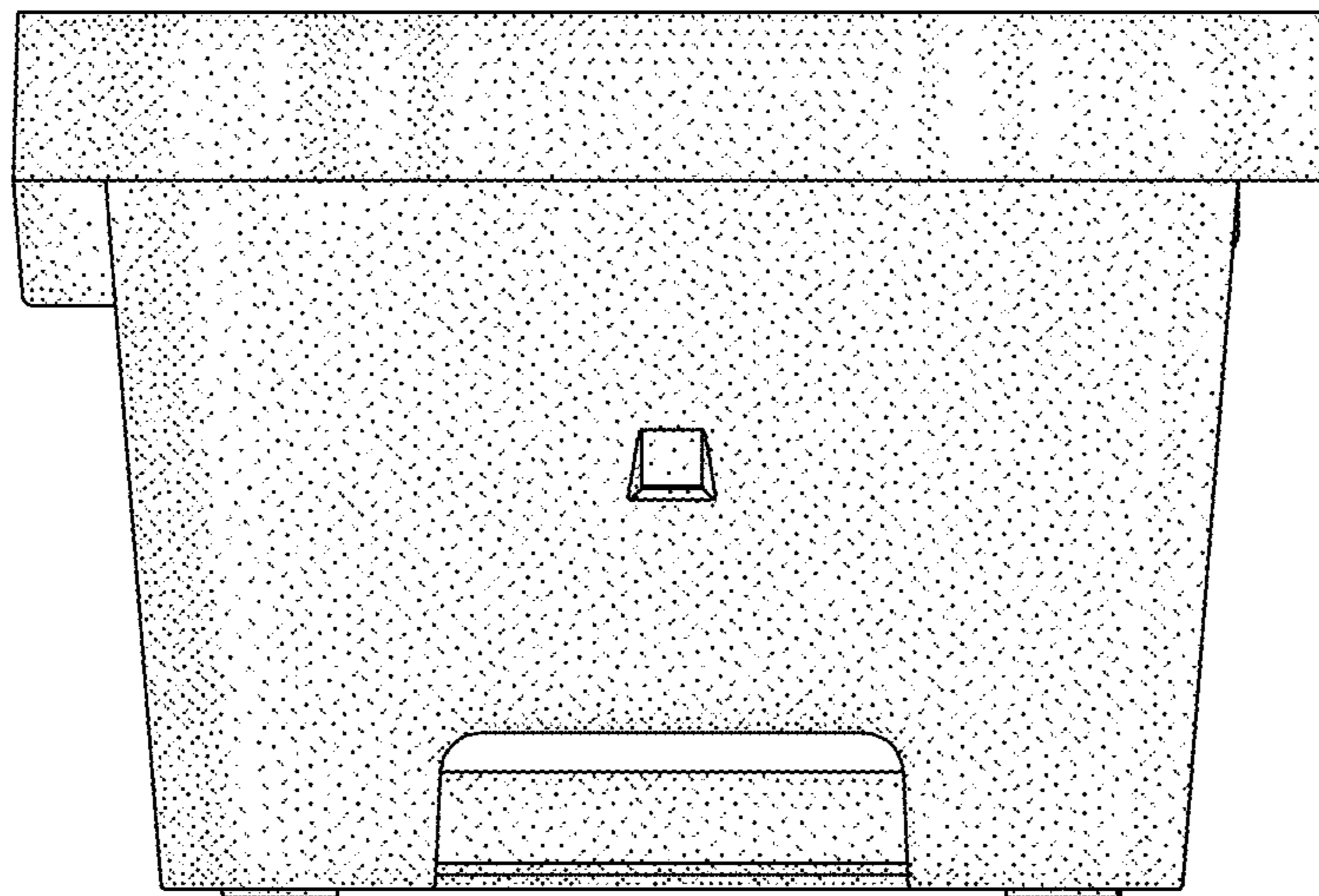


FIG. 7

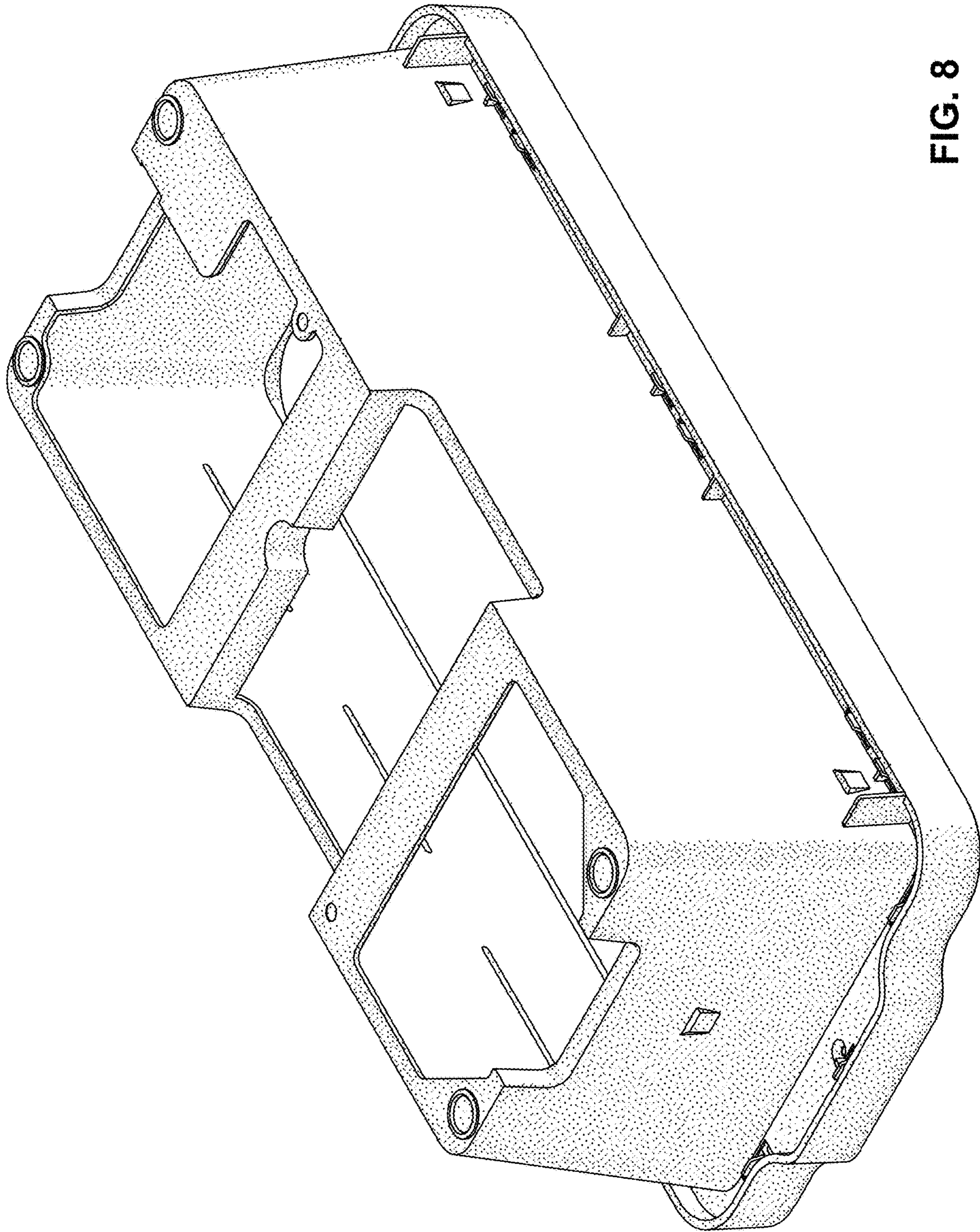


FIG. 8

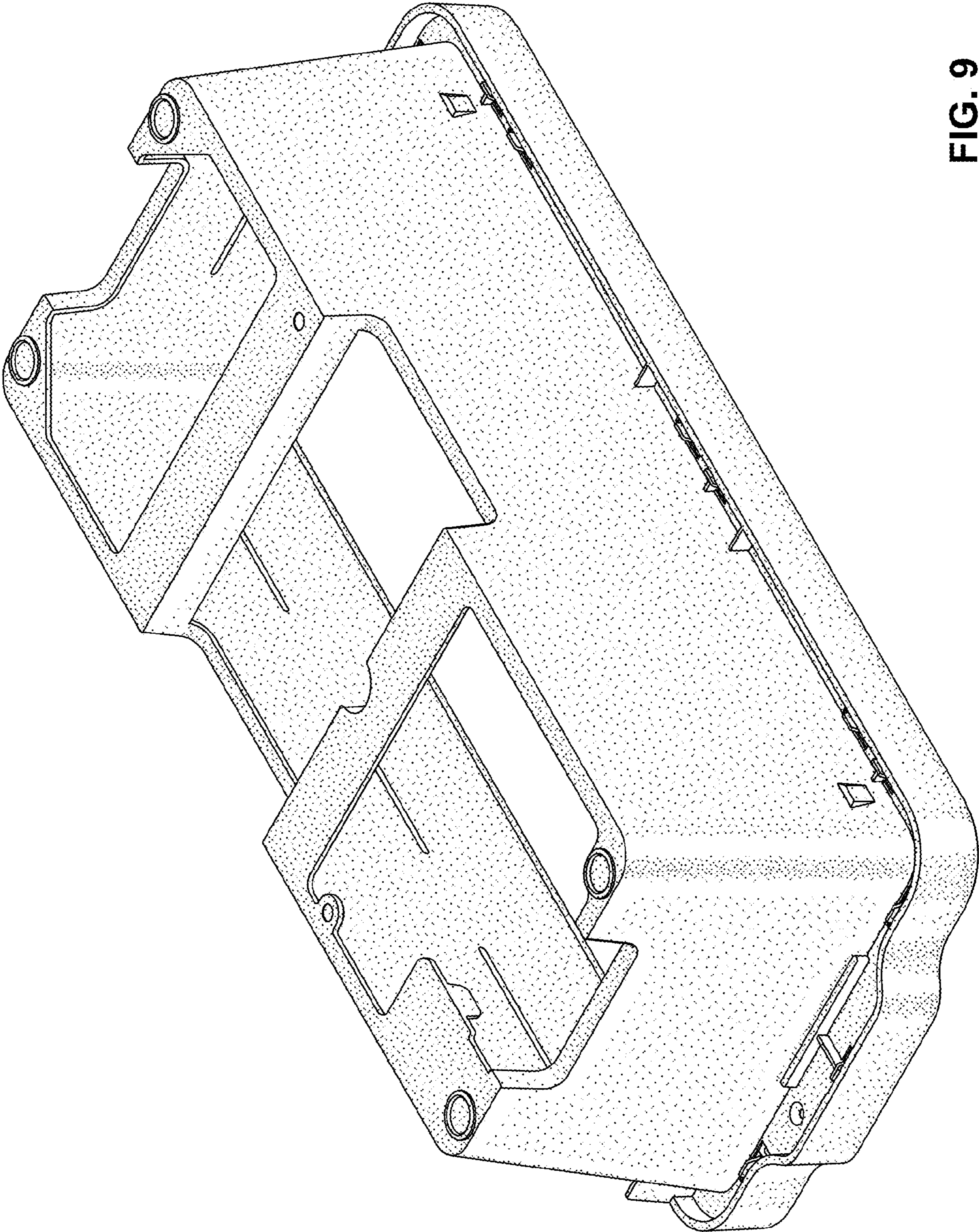


FIG. 9

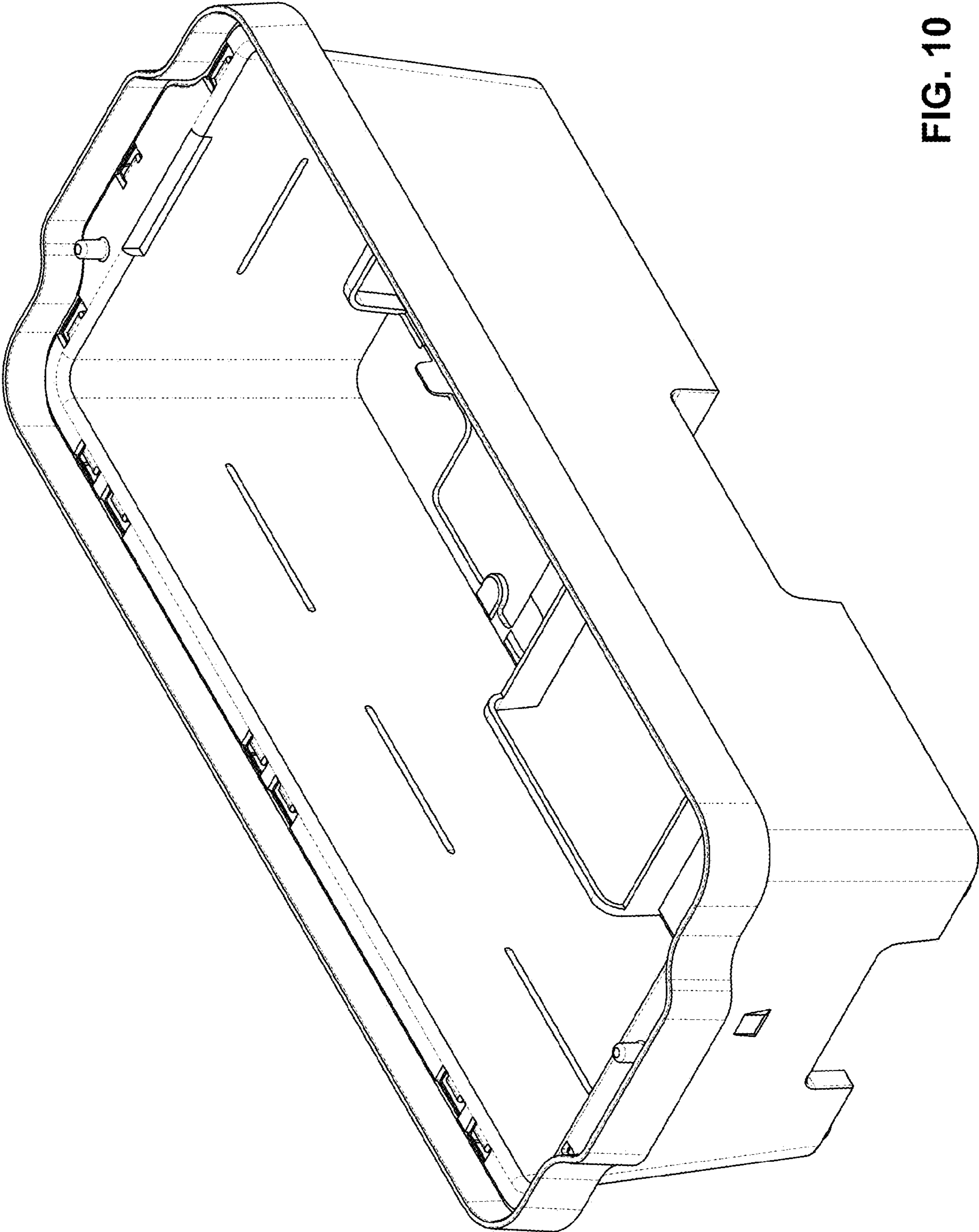


FIG. 10

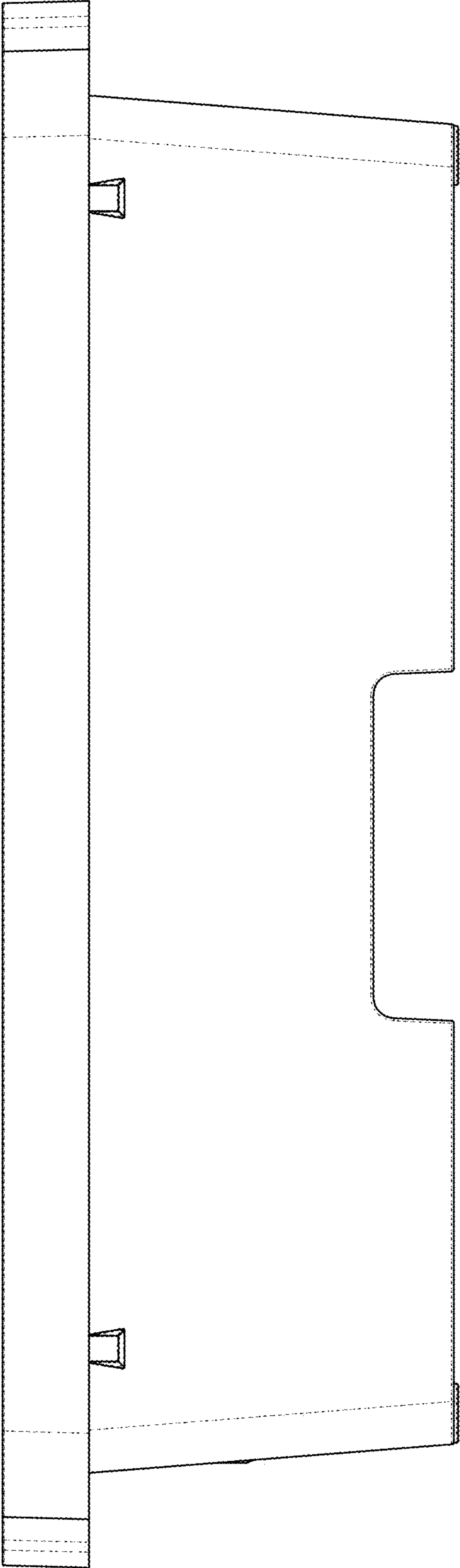


FIG. 11

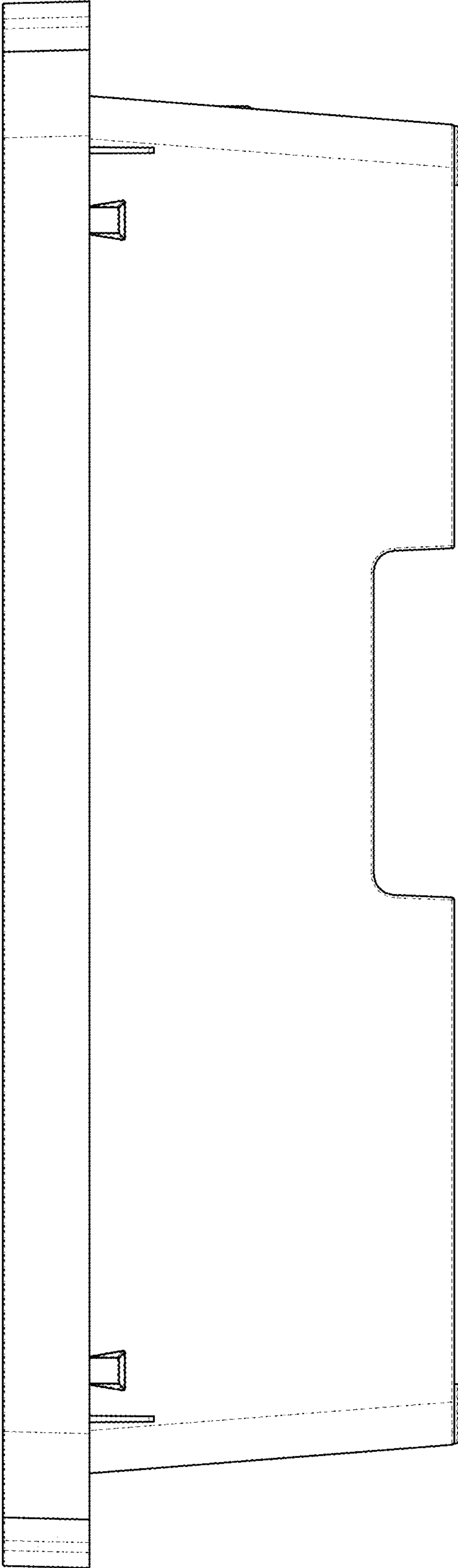


FIG. 12

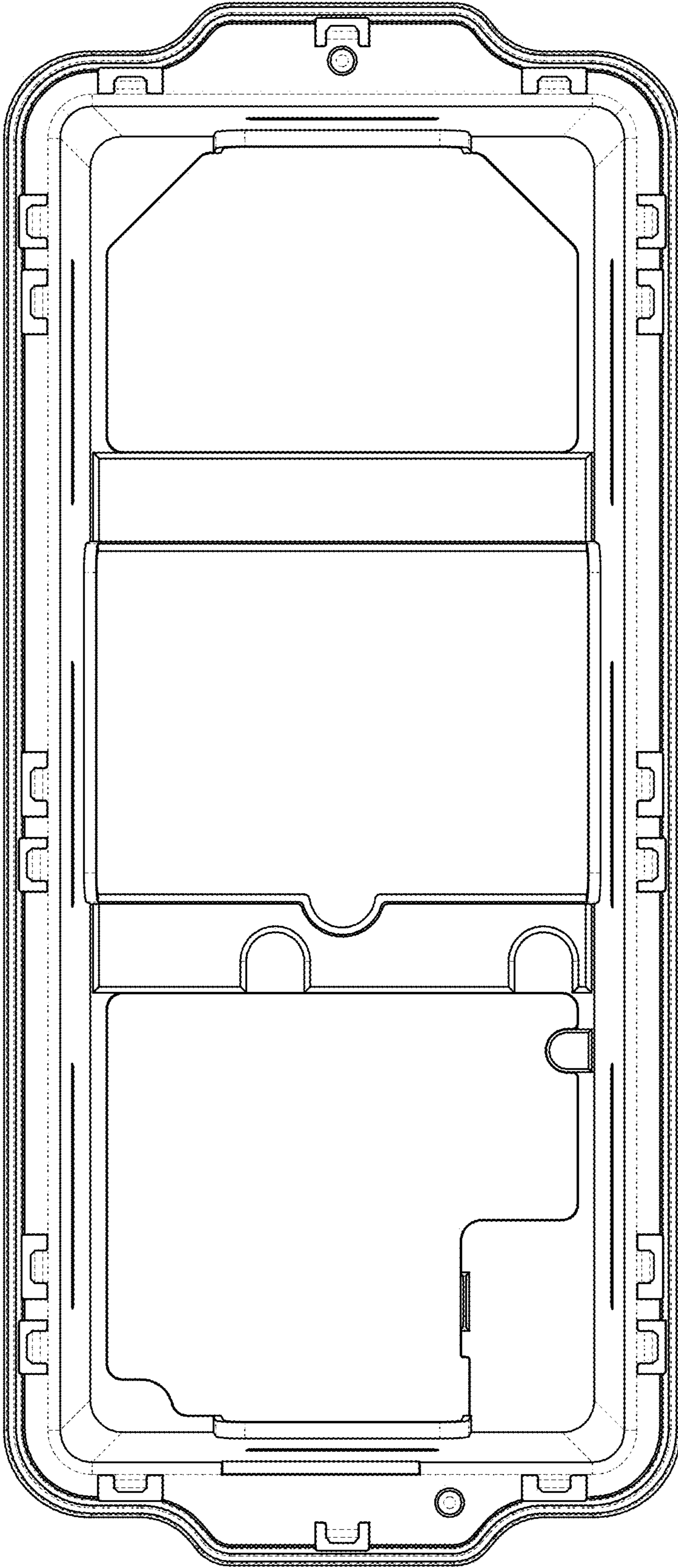


FIG. 13

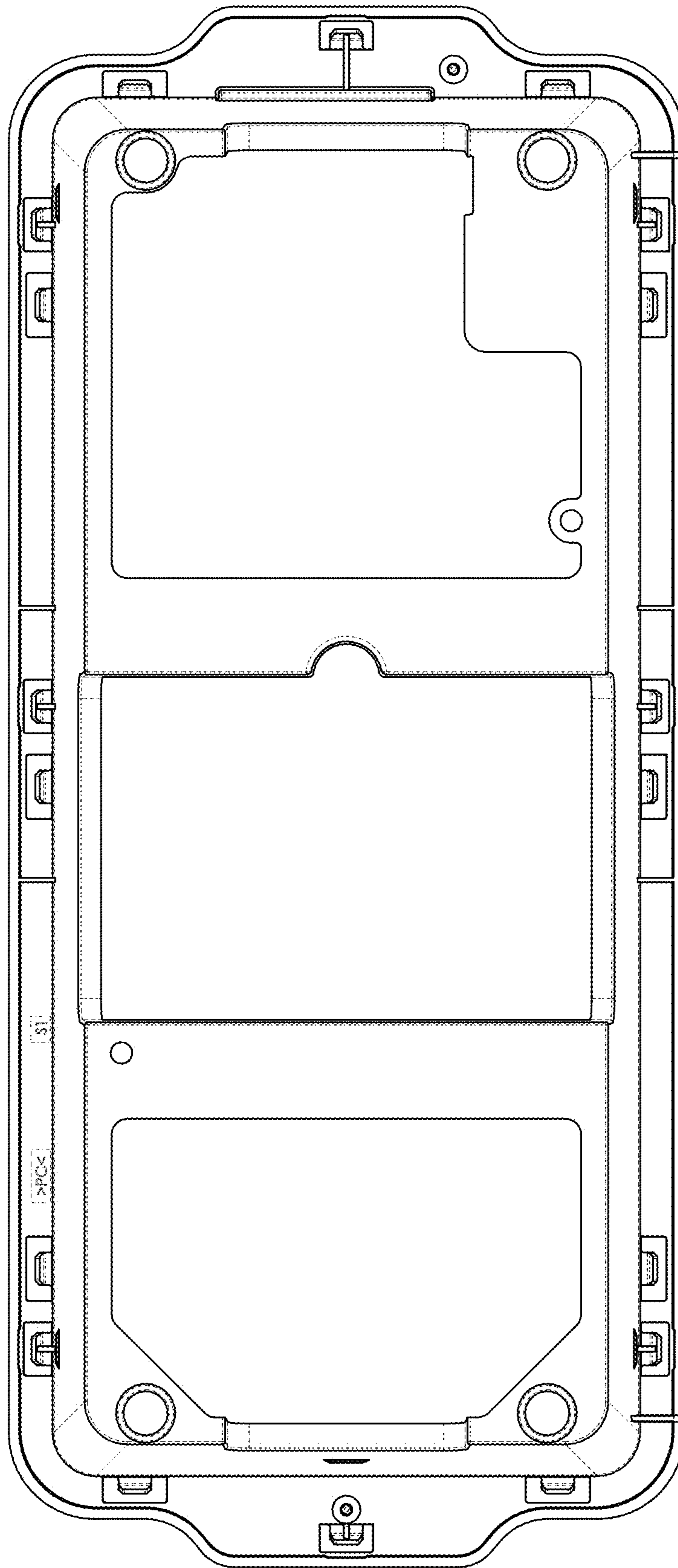


FIG. 14



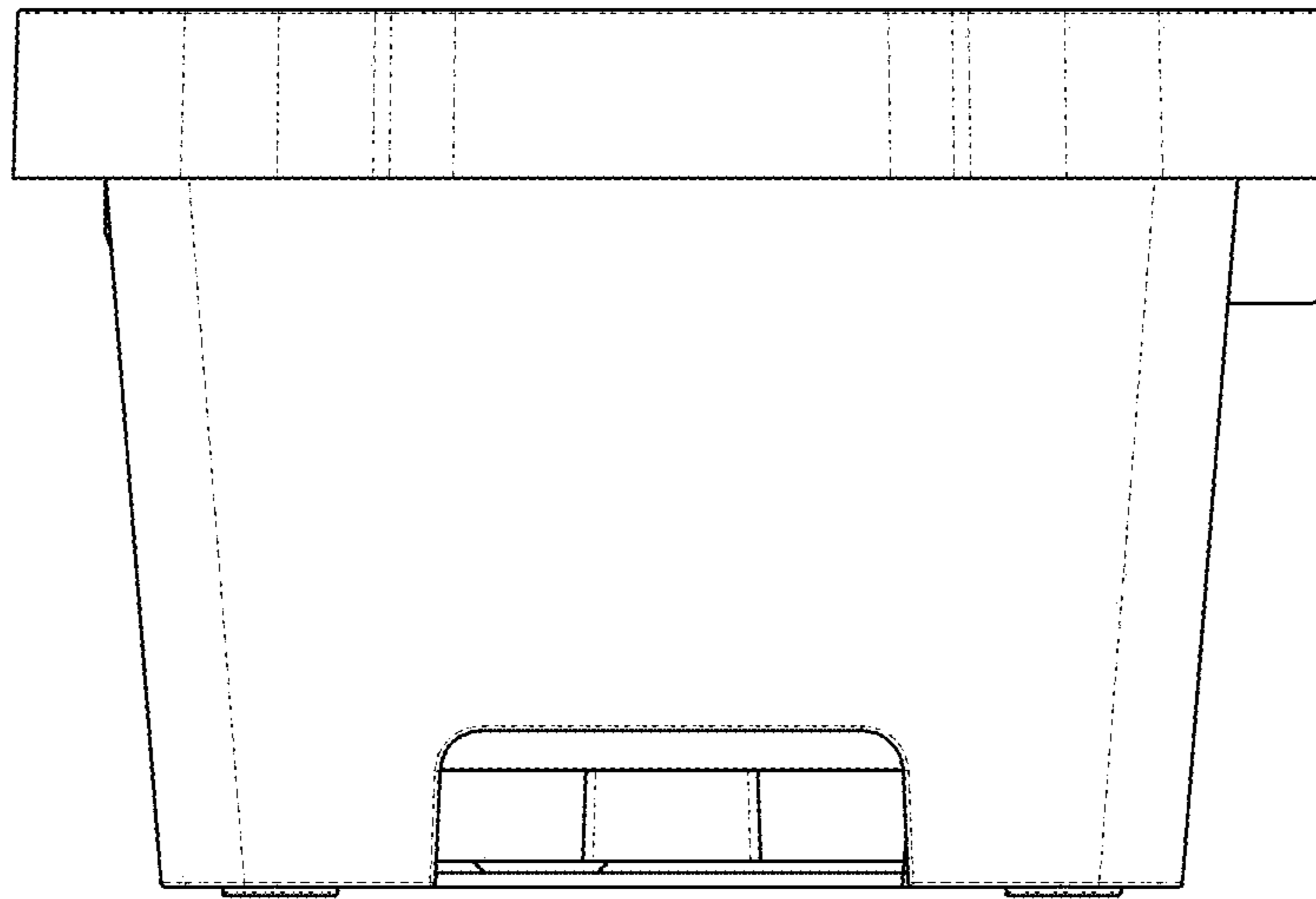


FIG. 15

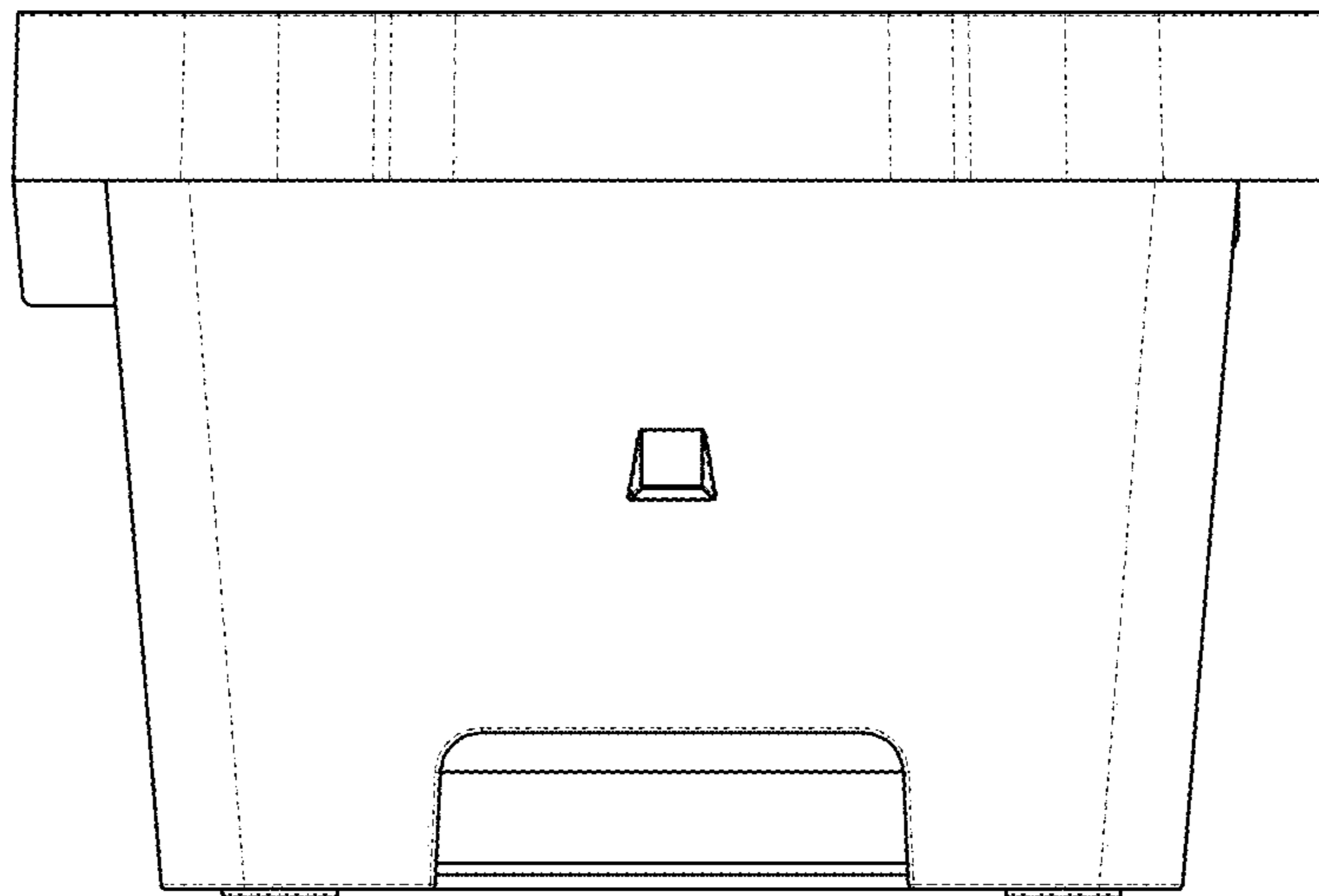


FIG. 16

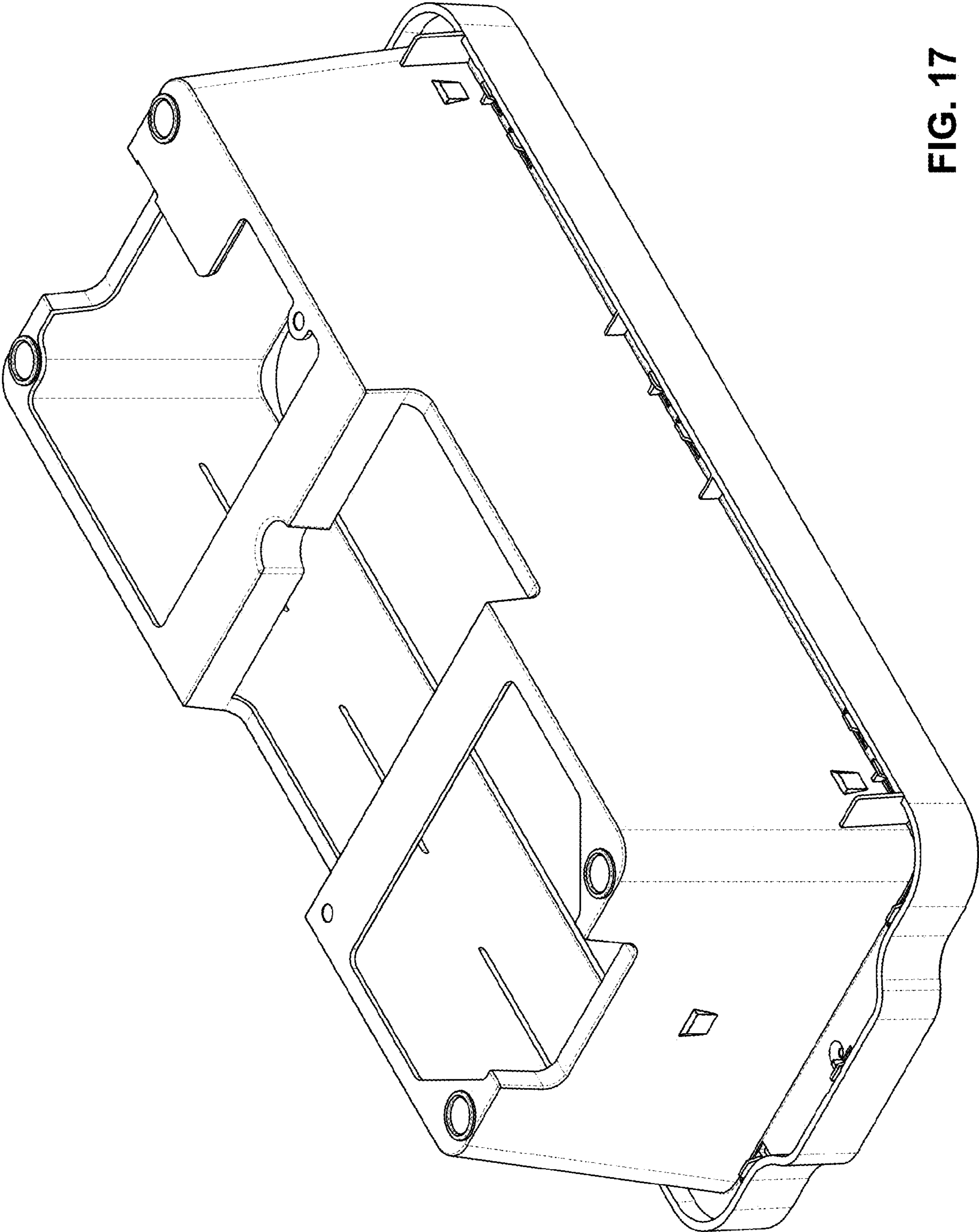


FIG. 17

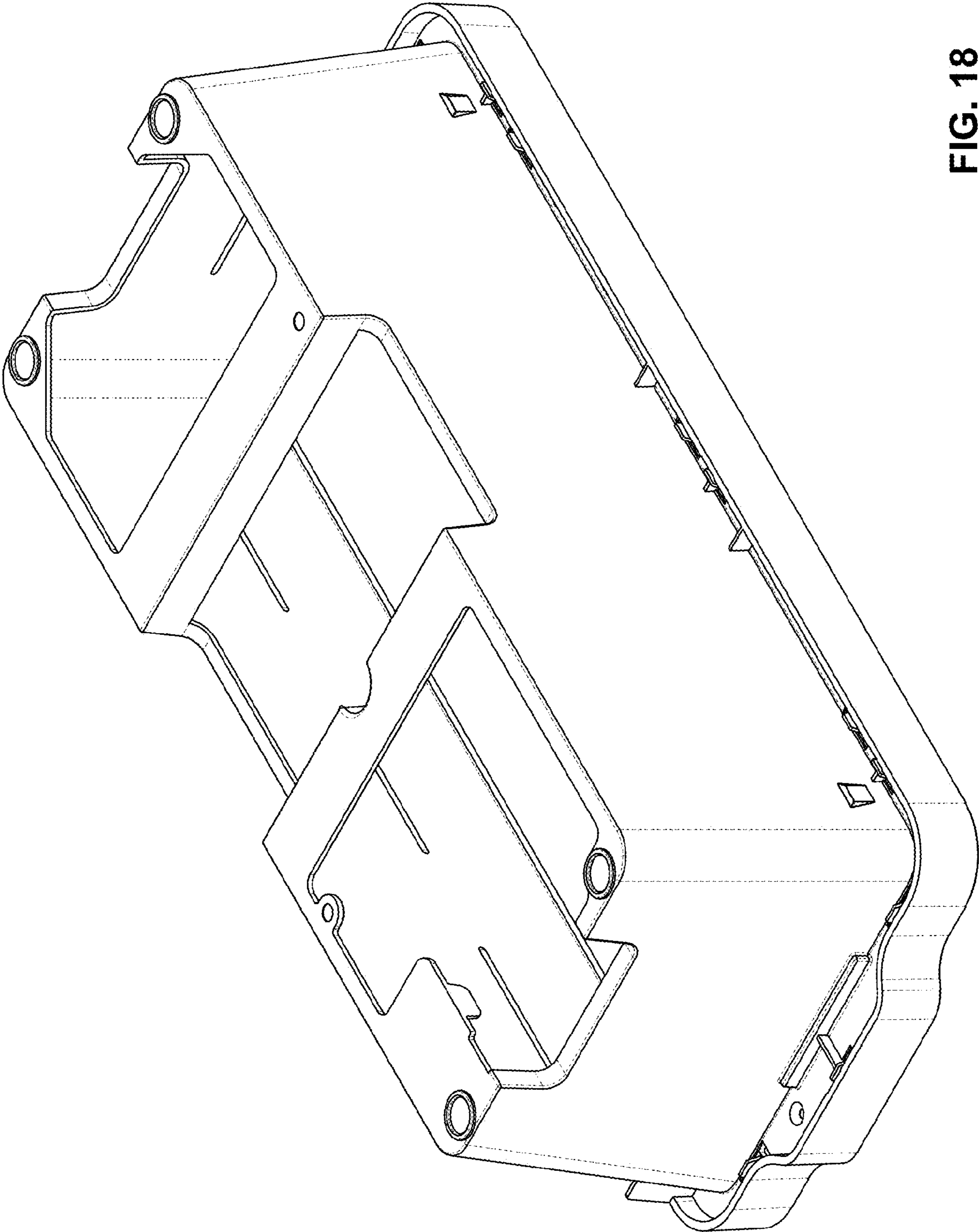


FIG. 18