



US00D987103S

(12) **United States Design Patent** (10) **Patent No.:** **US D987,103 S**
Bei (45) **Date of Patent:** **** May 23, 2023**

(54) **CLEAR GLASS MASSAGER**
(71) Applicant: **Shenzhen Kebeida Electronic Technology Co., Ltd., Guangdong (CN)**
(72) Inventor: **Liuqing Bei, Guangdong (CN)**
(73) Assignee: **Shenzhen Kebeida Electronic Technology Co., Ltd., Guangdong (CN)**
(**) Term: **15 Years**
(21) Appl. No.: **29/863,734**
(22) Filed: **Dec. 22, 2022**
(51) **LOC (14) Cl.** **28-03**
(52) **U.S. Cl.**
USPC **D24/215**
(58) **Field of Classification Search**
USPC D24/215, 200, 211, 212, 213, 214, 133, D24/107, 231, 184, 209, 206, 104, 105, D24/108, 141; D7/509, 537
CPC A61H 7/00; A61H 7/003; A61H 7/004; A61H 23/00; A61H 23/02; A61H 19/00; A61H 19/30; A61H 19/32; A61H 19/34; A61H 19/40; A61H 19/44; A61H 19/50; A61H 21/00; A61H 2205/087
See application file for complete search history.

(56) **References Cited**

U.S. PATENT DOCUMENTS

D217,519 S * 5/1970 Madl et al. D4/127
3,585,990 A * 6/1971 Blachly A61H 23/0263
601/72
D661,390 S * 6/2012 McLain D24/133
D707,835 S 6/2014 Domoto
D733,500 S * 7/2015 Yasui D7/537

D742,025 S * 10/2015 Callow D24/214
D792,157 S * 7/2017 Di Giuseppantonio D7/523
D811,224 S * 2/2018 Bae D9/600
D824,587 S * 7/2018 Dutton D28/7
D882,493 S * 4/2020 Arcangeli D12/509
D903,469 S * 12/2020 Wang D8/349
D917,714 S * 4/2021 Chen D24/187
D928,334 S * 8/2021 Chou D24/215
D963,187 S 9/2022 Tian
2019/0224069 A1* 7/2019 Sauer A61H 19/50

OTHER PUBLICATIONS

FST—Anal Plug. Date: Jul. 10, 2015. [online]. [Site visited Feb. 13, 2023]. Available from Internet URL: <https://www.amazon.com/dp/B011B2C1SO/> (Year: 2015).*

* cited by examiner

Primary Examiner — Eliza Z Harvey
Assistant Examiner — Landon Thomas Cassell
(74) *Attorney, Agent, or Firm* — ScienBiziP, P.C.

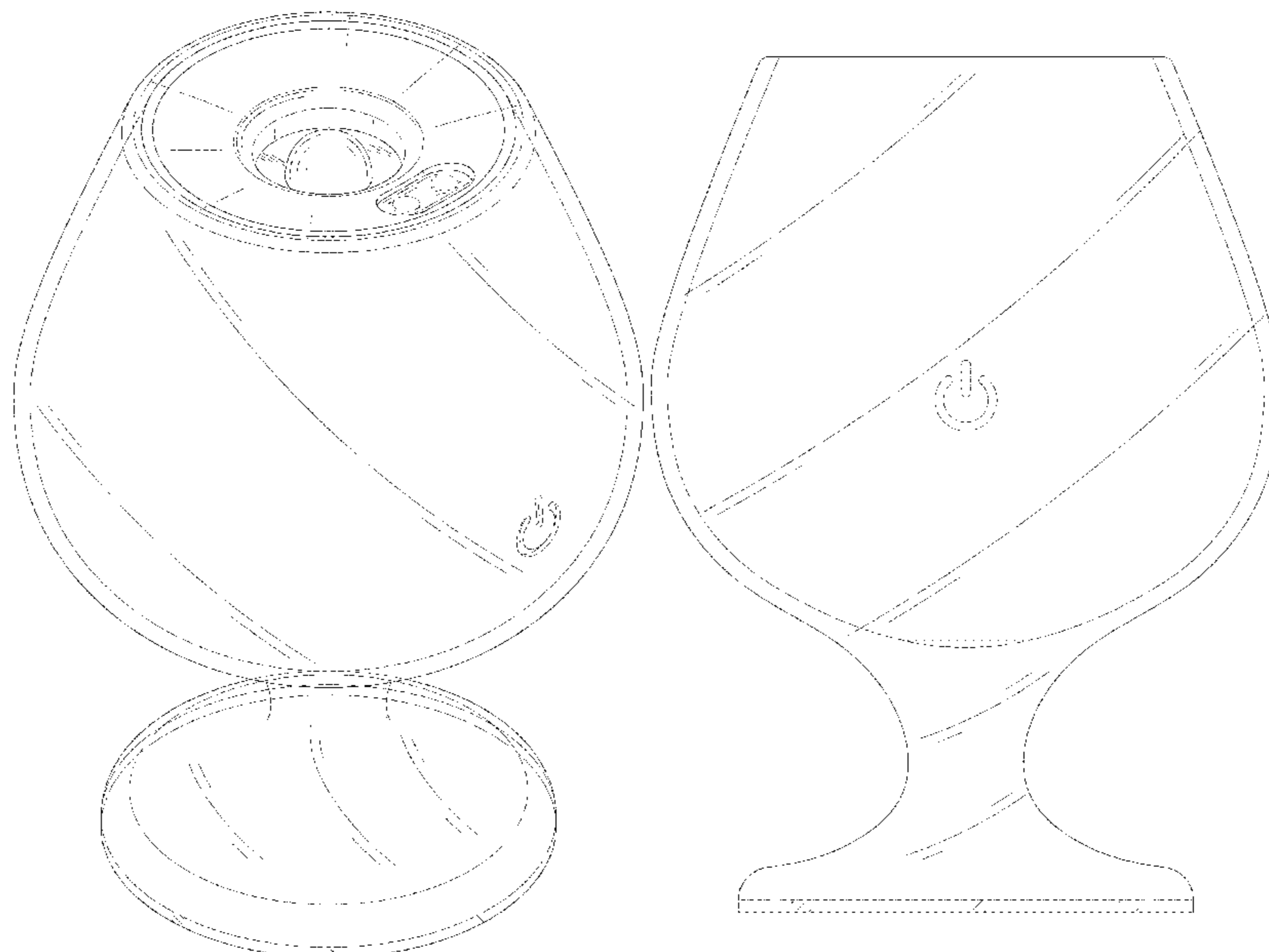
(57) **CLAIM**

The ornamental design for a clear glass massager, as shown and described.

DESCRIPTION

FIG. 1 is a front, right and top perspective view of a clear glass massager, showing my design.
FIG. 2 is a rear, left and bottom perspective view thereof.
FIG. 3 is a front elevation view thereof.
FIG. 4 is a rear elevation view thereof.
FIG. 5 is a left side elevation view thereof.
FIG. 6 is a right side elevation view thereof.
FIG. 7 is a top plan view thereof; and,
FIG. 8 is a bottom plan view thereof.
The broken lines depict portions of the clear glass massager that form no part of the claimed design.

1 Claim, 8 Drawing Sheets



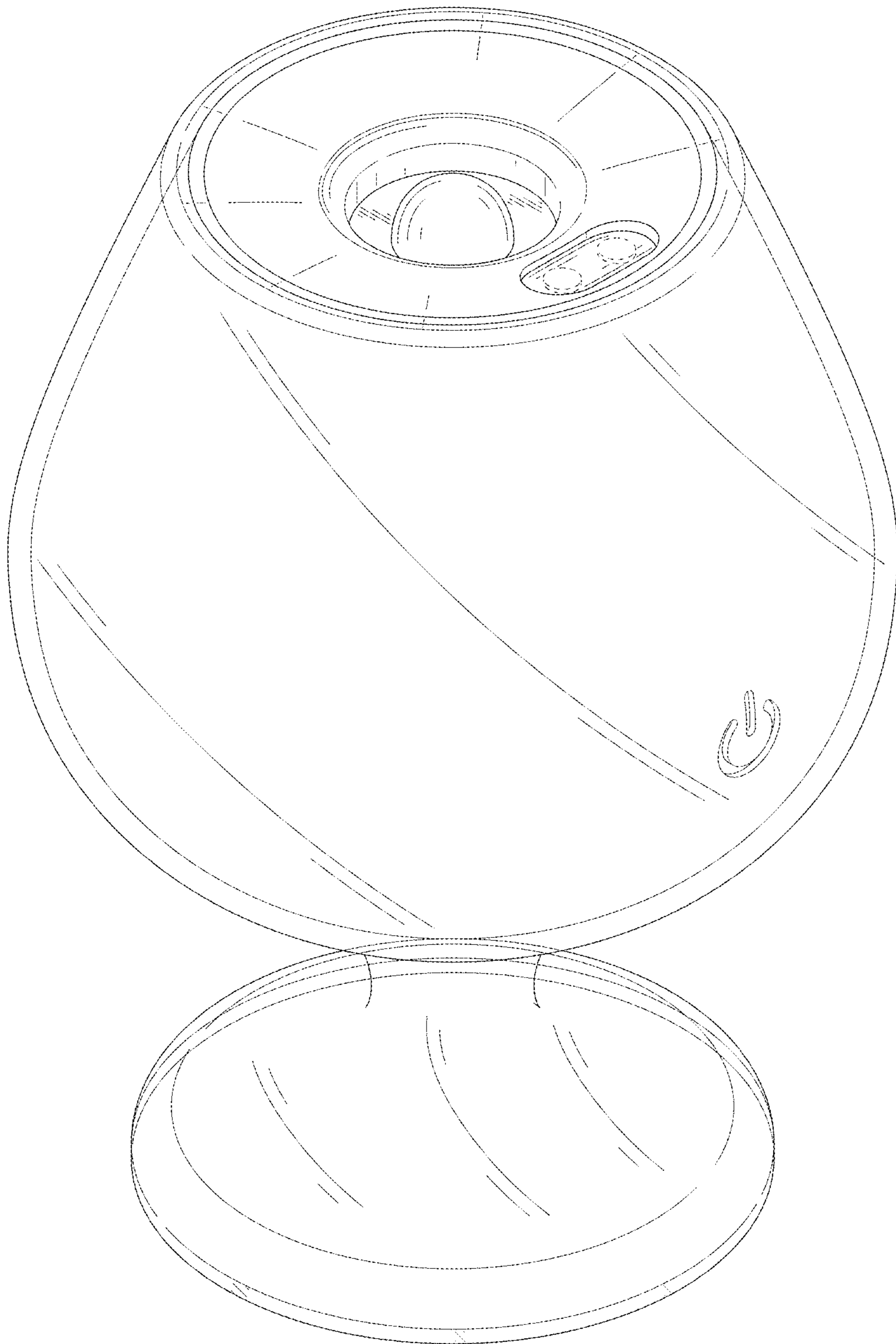


FIG. 1

Appl. No.: 29/863,734
Reply to Office Action of February 27, 2023
Attorney Docket No.: US007569W
Replacement Sheet

2/8

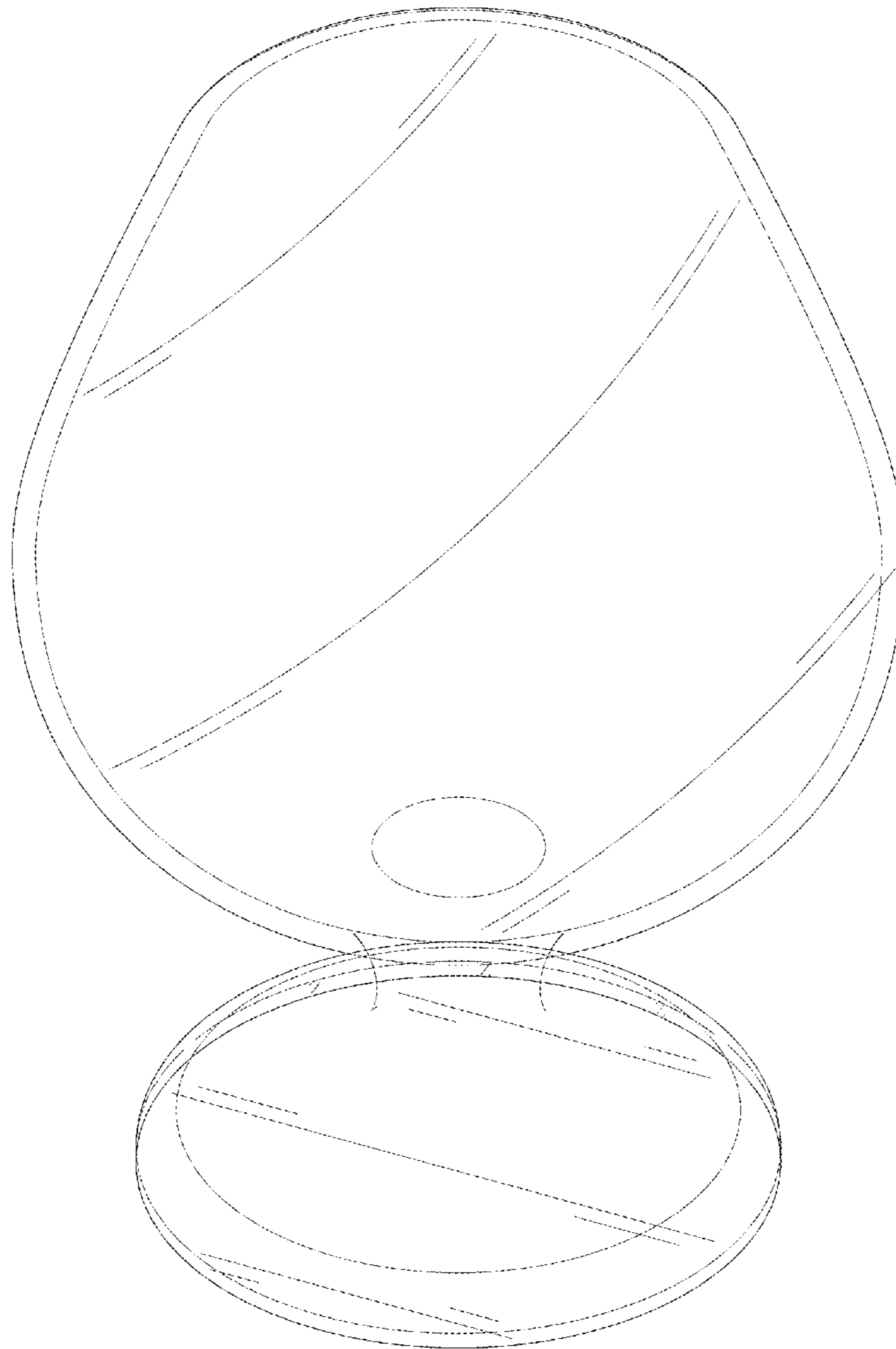


FIG. 2

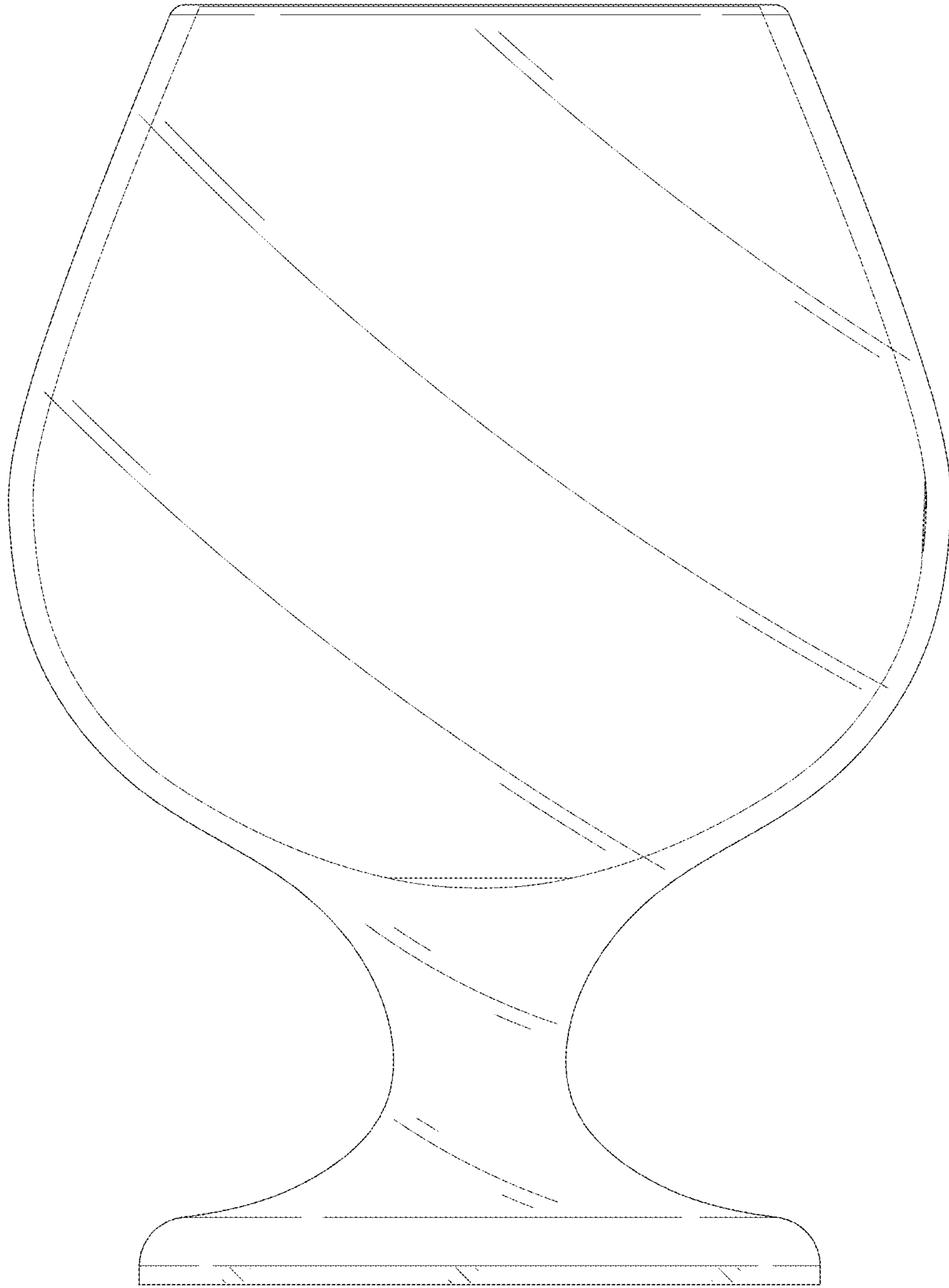


FIG. 3

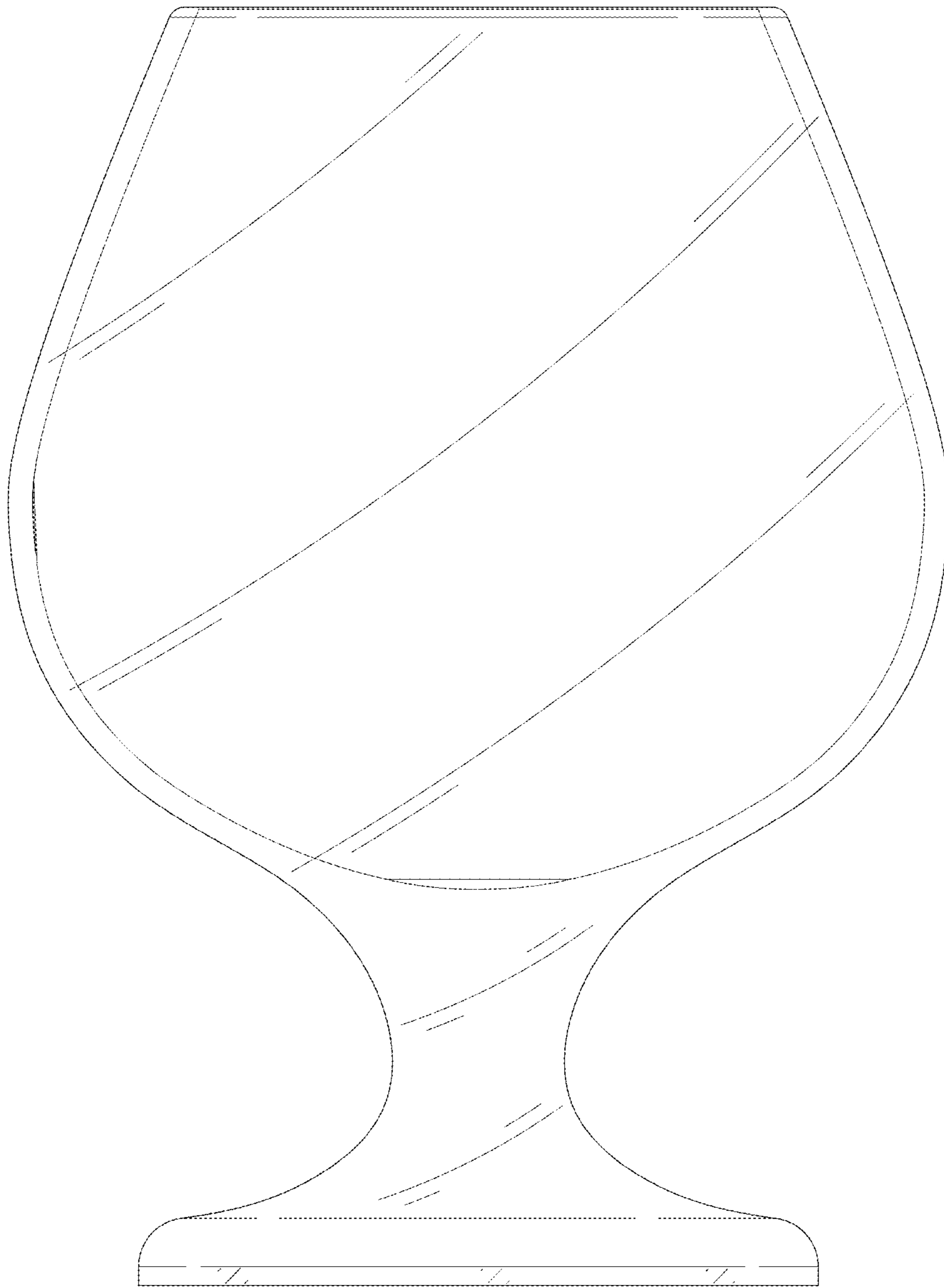


FIG. 4

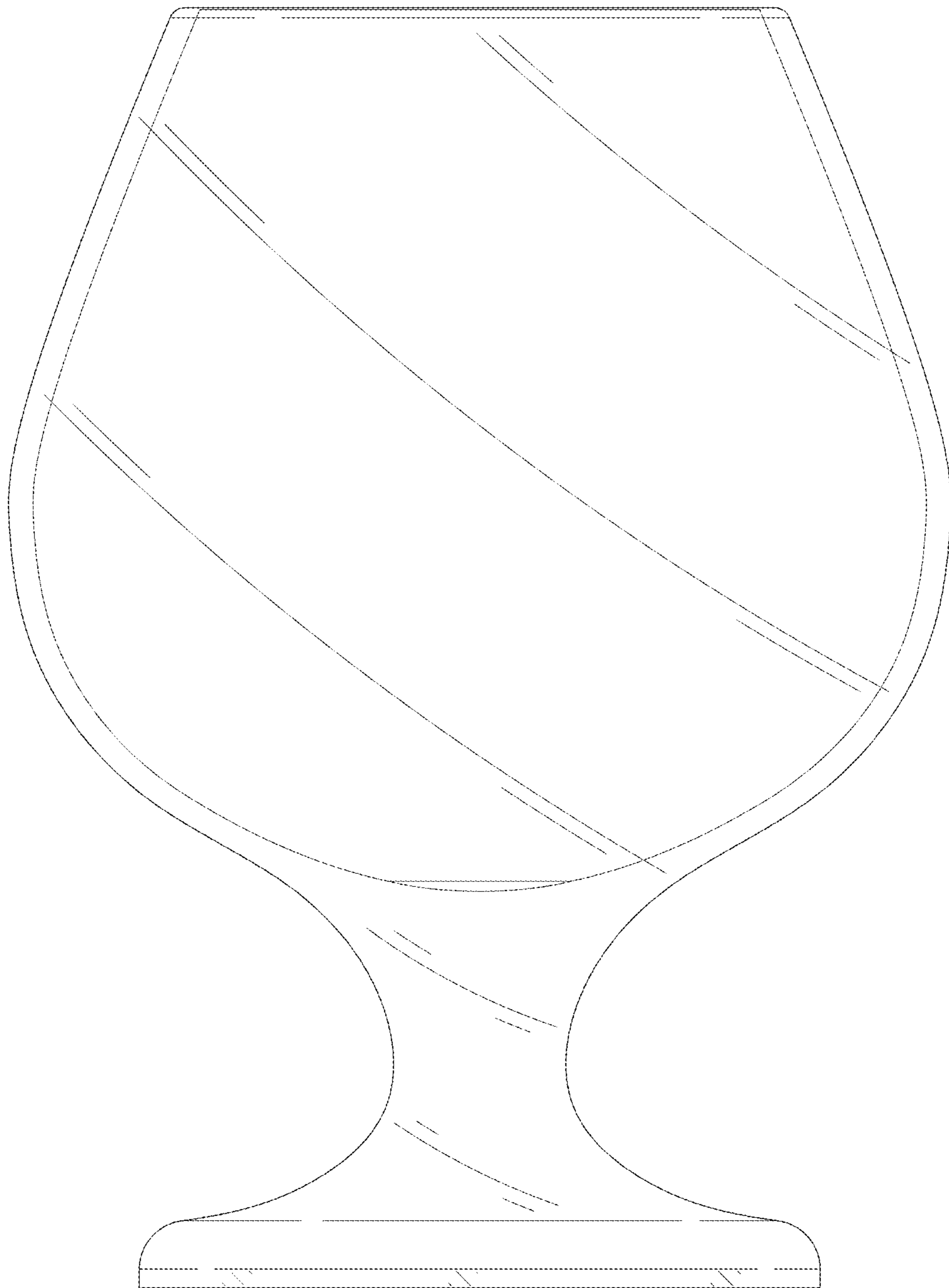


FIG. 5

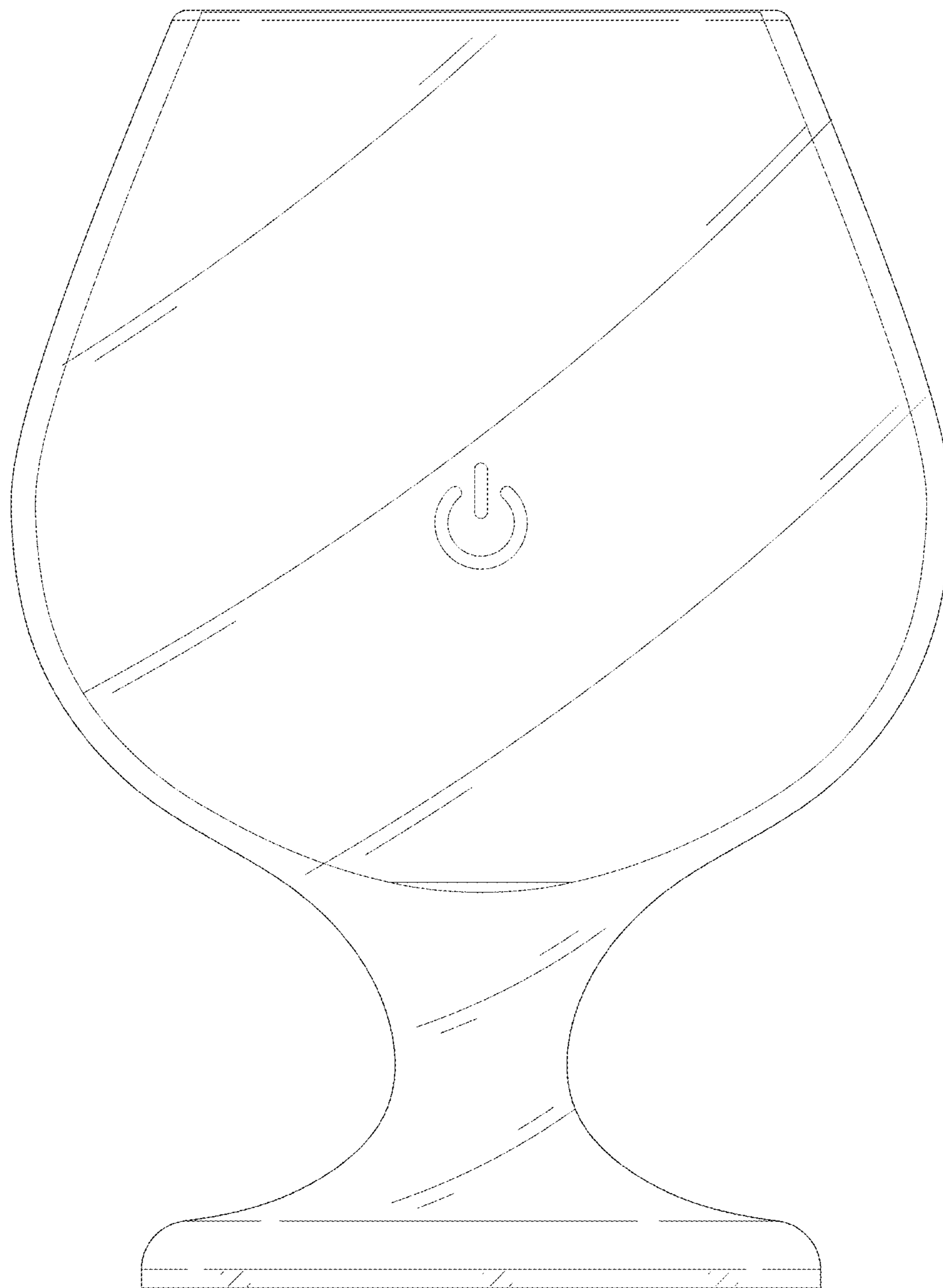


FIG. 6

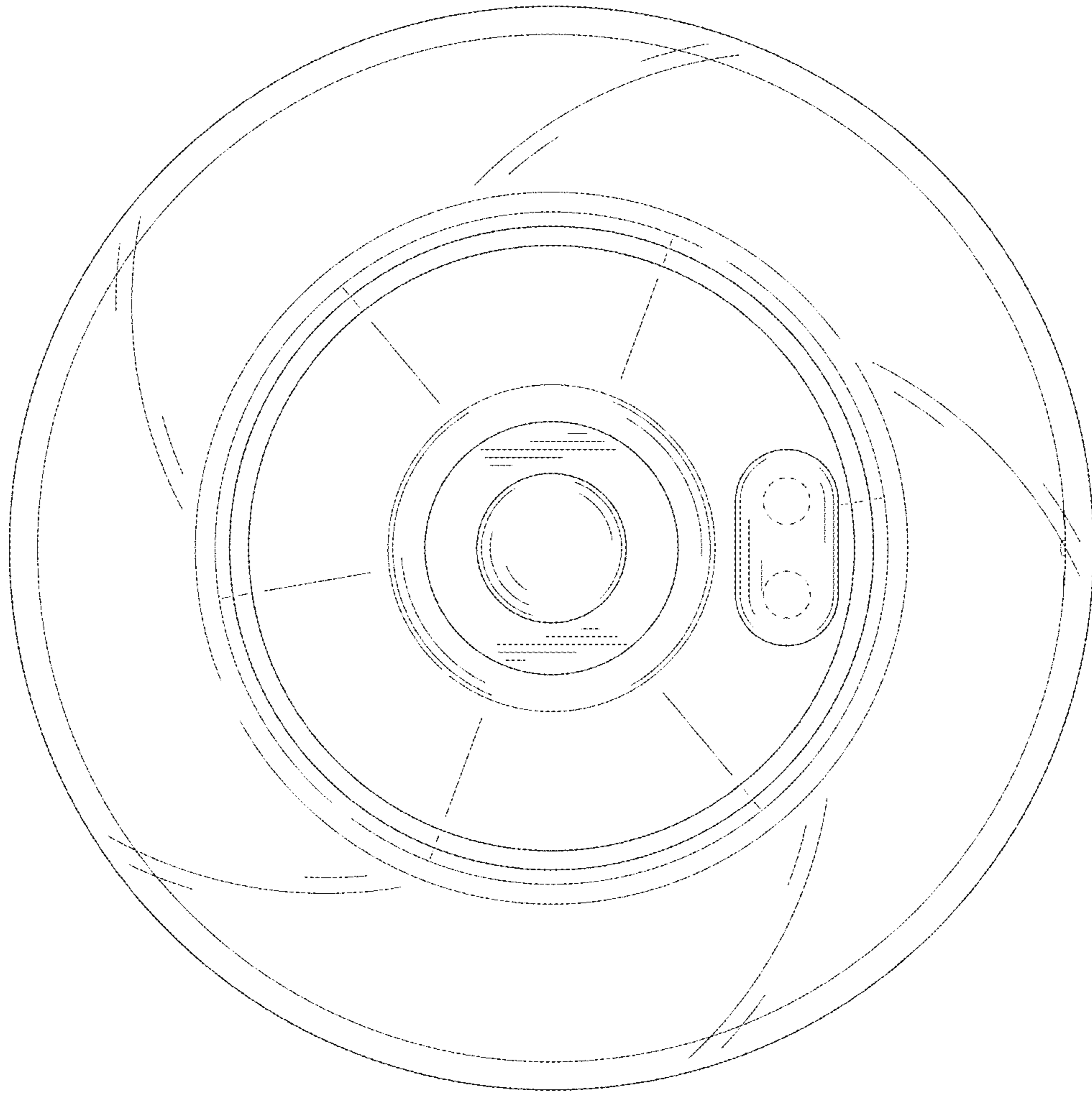


FIG. 7

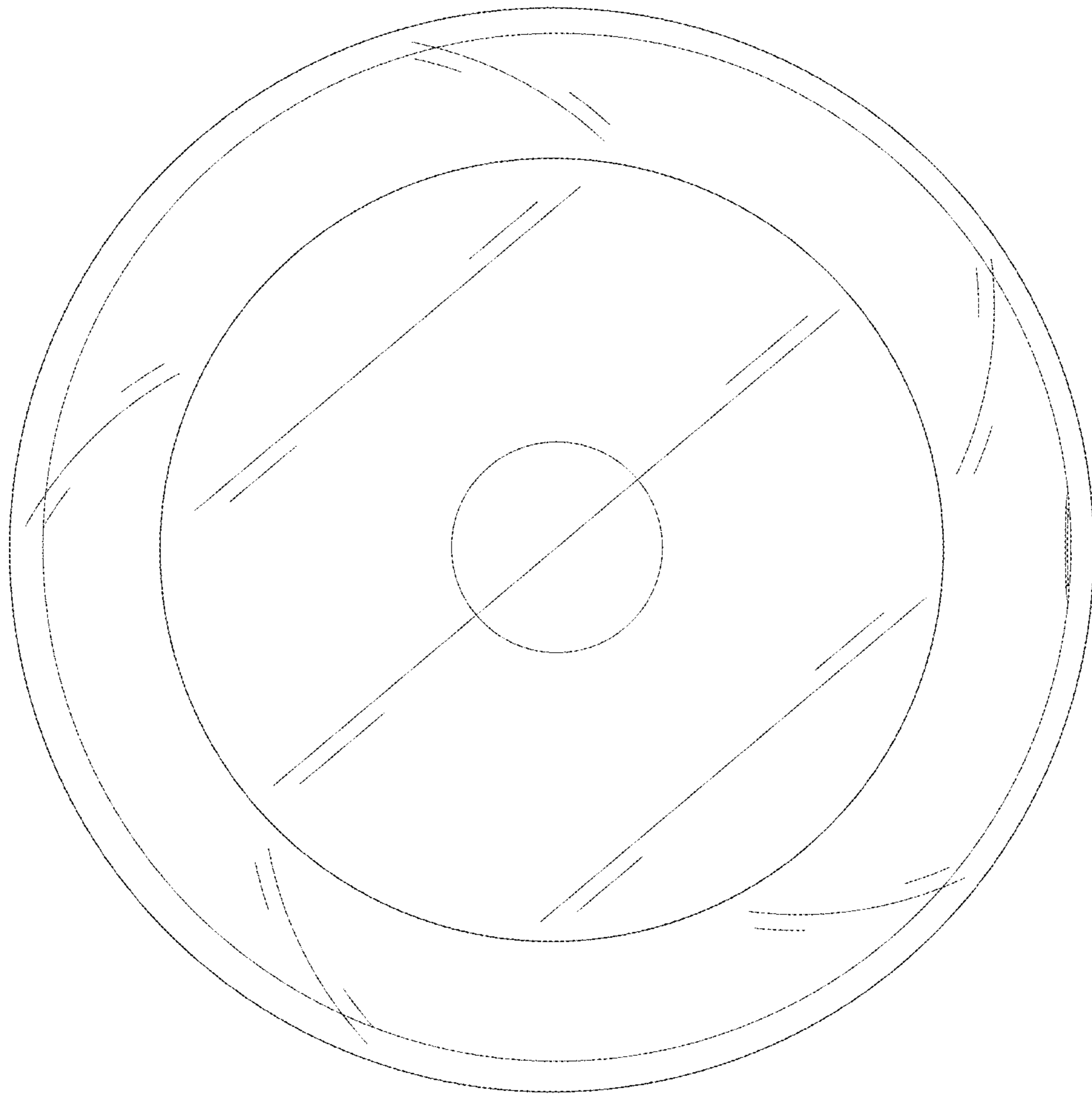


FIG. 8