



US00D987101S

(12) **United States Design Patent** (10) **Patent No.:** **US D987,101 S**  
**Wang** (45) **Date of Patent:** **\*\* May 23, 2023**

(54) **SCRAPING MESSAGE DEVICE**  
(71) Applicant: **Mei Wang**, Zhumadian (CN)  
(72) Inventor: **Mei Wang**, Zhumadian (CN)  
(\*\*) Term: **15 Years**  
(21) Appl. No.: **29/816,902**  
(22) Filed: **Nov. 26, 2021**

(51) **LOC (14) Cl.** ..... **24-01**  
(52) **U.S. Cl.**  
USPC ..... **D24/215**  
(58) **Field of Classification Search**  
USPC ..... D24/200, 211, 212, 213, 214, 215;  
D28/7, 78; D10/1  
CPC .. A61H 2205/022; A61H 7/003; A61H 7/005;  
A61H 2201/0153; A45D 44/22  
See application file for complete search history.

(56) **References Cited**

**U.S. PATENT DOCUMENTS**

D698,455 S *	1/2014	Sedic	.....	A61H 23/004
				D24/215
D773,064 S *	11/2016	Sedic	.....	D24/214
D837,994 S *	1/2019	Sedic	.....	D24/214
D852,972 S *	7/2019	Sedic	.....	D24/214
D857,221 S *	8/2019	Sedic	.....	D24/215
D857,299 S *	8/2019	Tammabattula	.....	D28/63
D866,074 S *	11/2019	Tammabattula	.....	D28/63
D866,075 S *	11/2019	Tammabattula	.....	D28/63
D872,372 S *	1/2020	Tammabattula	.....	D28/63
D872,939 S *	1/2020	Tammabattula	.....	D28/63
D872,940 S *	1/2020	Tammabattula	.....	D28/63
D882,104 S *	4/2020	Sedic	.....	D24/215
D882,807 S *	4/2020	Xiong	.....	D24/214
D882,810 S *	4/2020	Sedic	.....	D24/215
D885,063 S *	5/2020	Xiong	.....	D4/116
D898,212 S *	10/2020	Sedic	.....	D24/215
D898,213 S *	10/2020	Sedic	.....	D24/215
D903,892 S *	12/2020	Sedic	.....	D24/215

D914,227 S *	3/2021	Sedic	.....	D24/215
10,973,374 B1 *	4/2021	Sedic	.....	A47K 7/02
D918,410 S *	5/2021	Sedic	.....	D24/215
D929,602 S *	8/2021	Sedic	.....	D24/215
D929,603 S *	8/2021	Sedic	.....	D24/215
D929,604 S *	8/2021	Sedic	.....	D24/215
D930,178 S *	9/2021	Sedic	.....	D24/215
D932,044 S *	9/2021	Sedic	.....	D24/215
D940,890 S *	1/2022	Cartledge	.....	D24/200
D948,740 S *	4/2022	Sedic	.....	D24/215
2014/0194900 A1 *	7/2014	Sedic	.....	A61H 23/00
				606/131

(Continued)

**OTHER PUBLICATIONS**

Orbit, "Scraping Massage Device", Application No. 6177893. Application Date: Nov. 26, 2021. www.orbit.com. (Year: 2021).\*

(Continued)

*Primary Examiner* — Michael A Maharajh

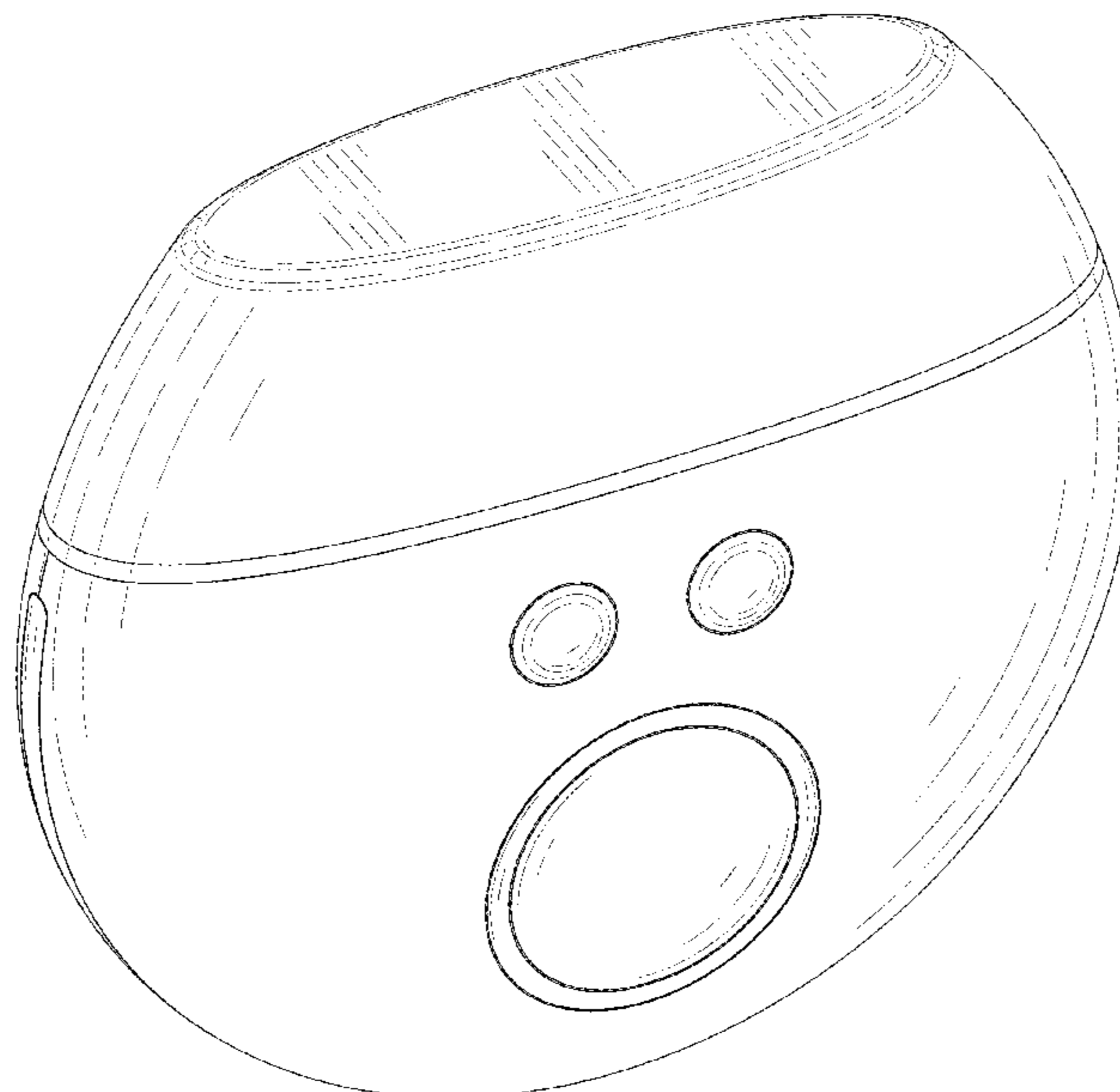
(57) **CLAIM**

The ornamental design for a scraping massage device, as shown and described.

**DESCRIPTION**

FIG. 1 is a perspective view of a scraping massage device showing my new design;  
FIG. 2 is another perspective view thereof;  
FIG. 3 is a front elevational view thereof;  
FIG. 4 is a rear elevational view thereof;  
FIG. 5 is a left side elevational view thereof;  
FIG. 6 is a right side elevational view thereof;  
FIG. 7 is a top plan view thereof; and,  
FIG. 8 is a bottom plan view thereof.  
The broken lines in the drawings depict portions of the scraping massage device that form no part of the claimed design.

**1 Claim, 8 Drawing Sheets**



(56)

**References Cited**

U.S. PATENT DOCUMENTS

2022/0133096 A1\* 5/2022 Sedic ..... A47K 7/02  
606/131

OTHER PUBLICATIONS

Walmart, "Xiaiffenn Facial Scraper Massager", Date Accessed:  
Mar. 13, 2023. [strument-Massage-Tool-Gift-For-Lover-Smart-wear/  
1830781863?wmlspartner=wlp&selectedSellerId=1011924](https://www.walmart.com/ip/strument-Massage-Tool-Gift-For-Lover-Smart-wear/1830781863?wmlspartner=wlp&selectedSellerId=1011924) (Year:  
2023).\*

\* cited by examiner

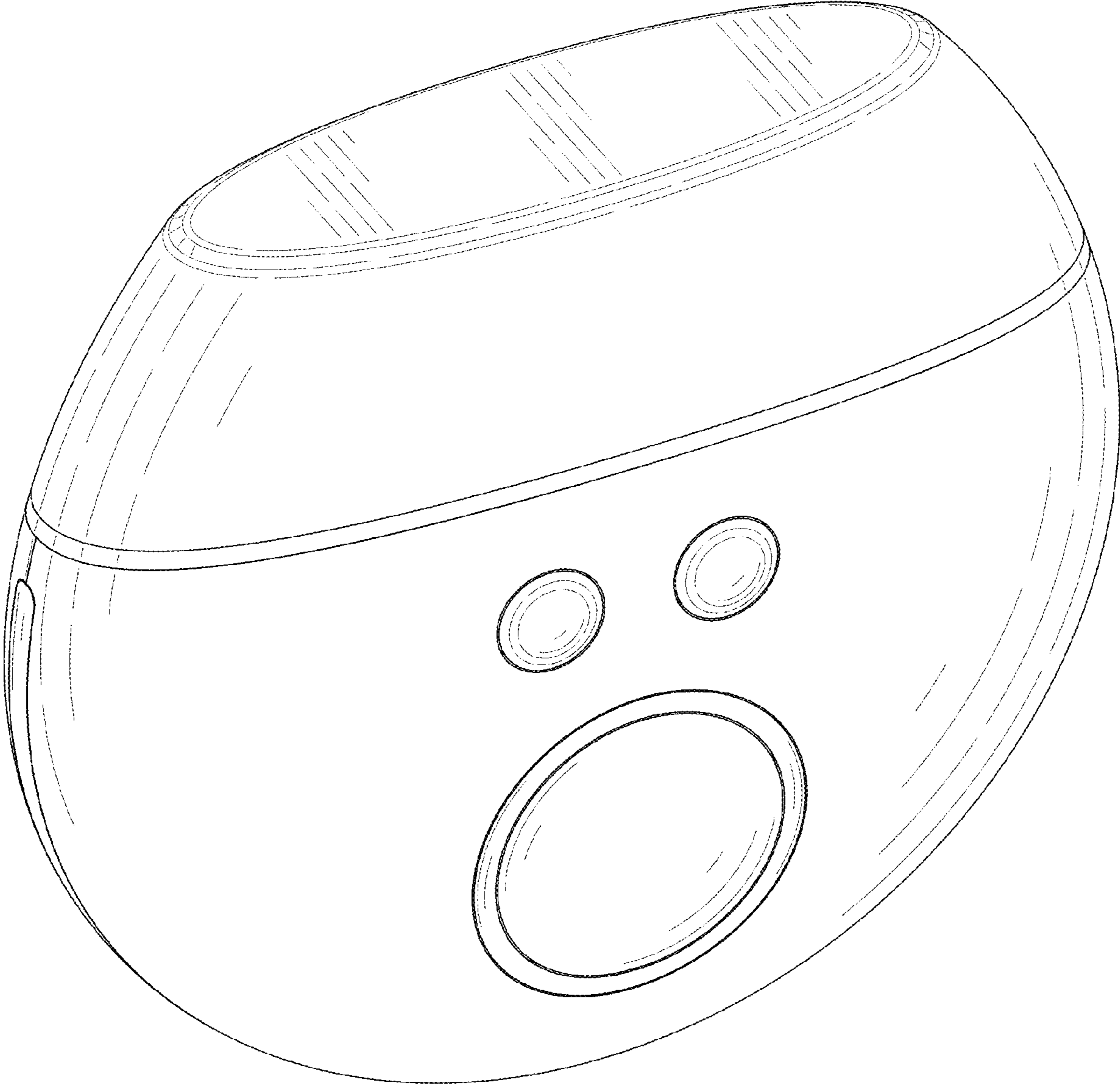


FIG. 1

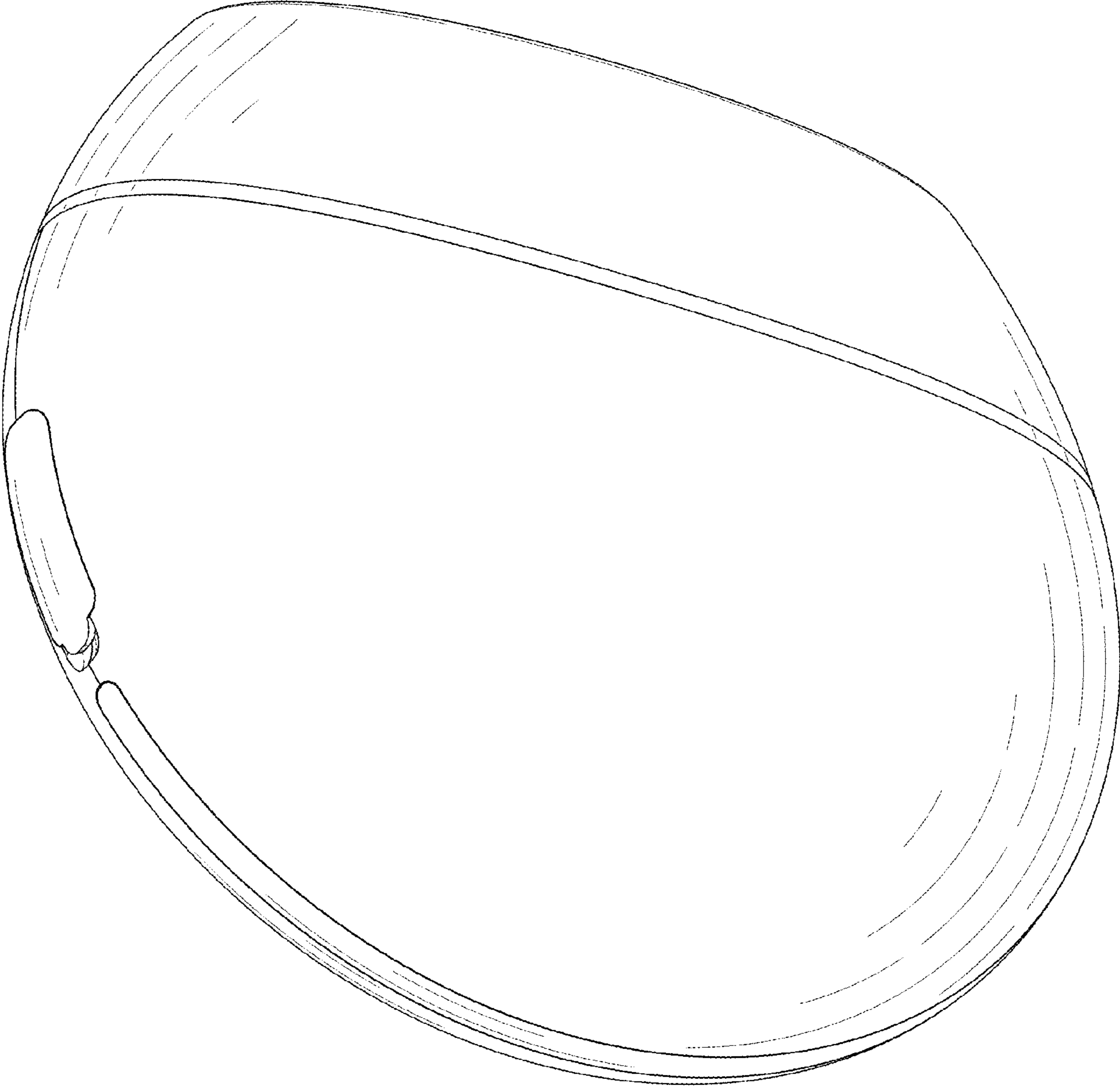


FIG. 2

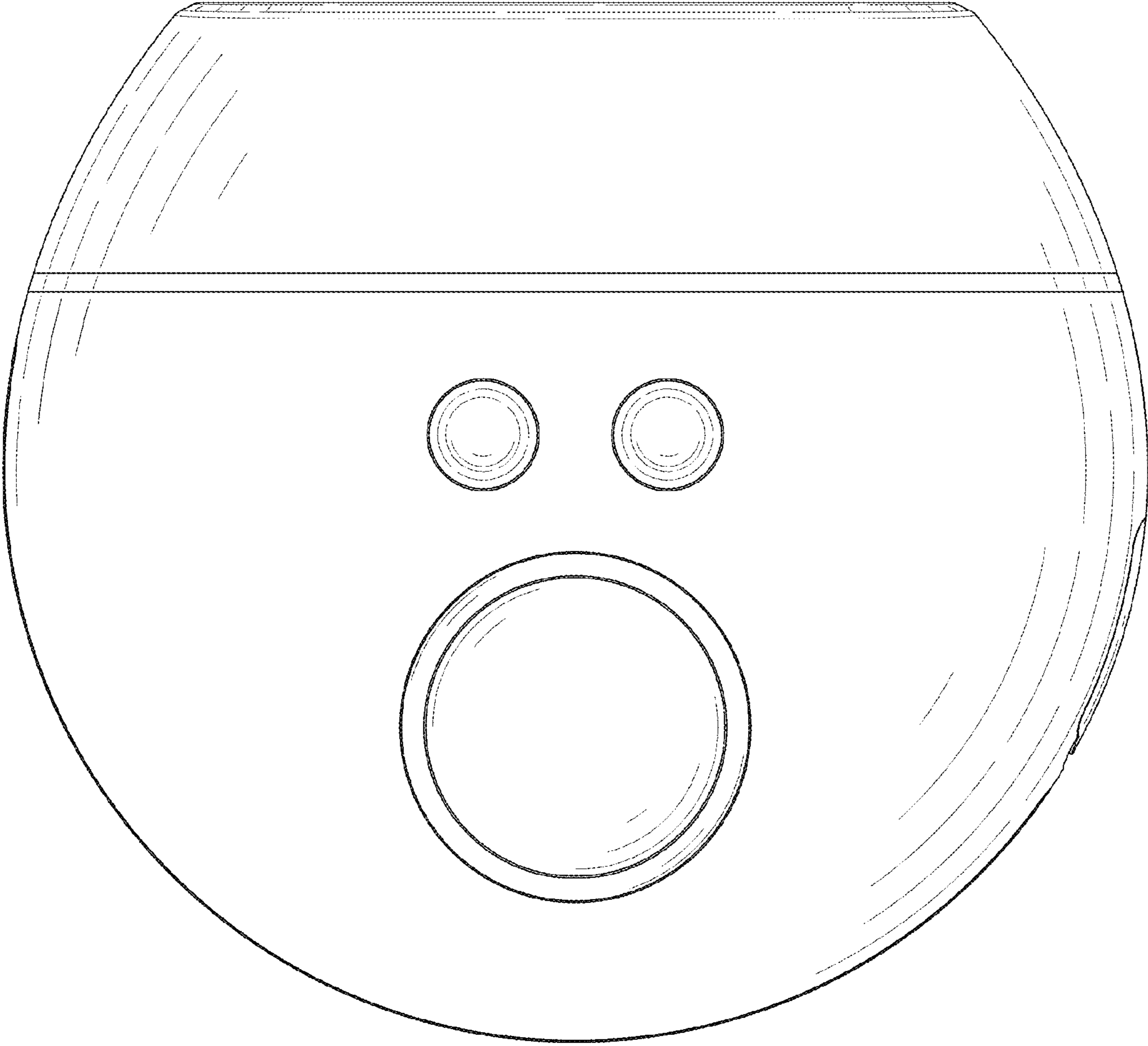


FIG. 3



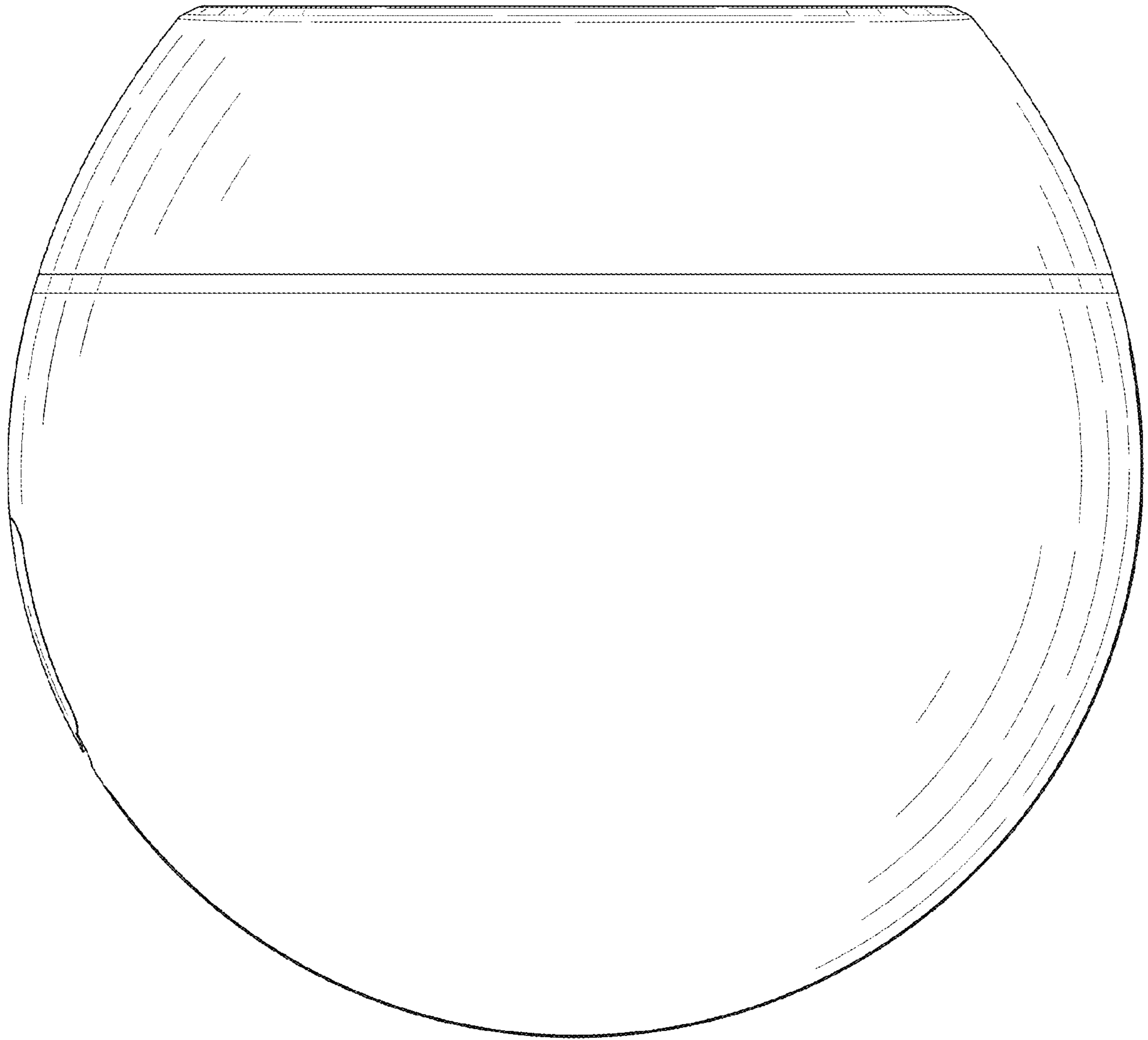


FIG. 4

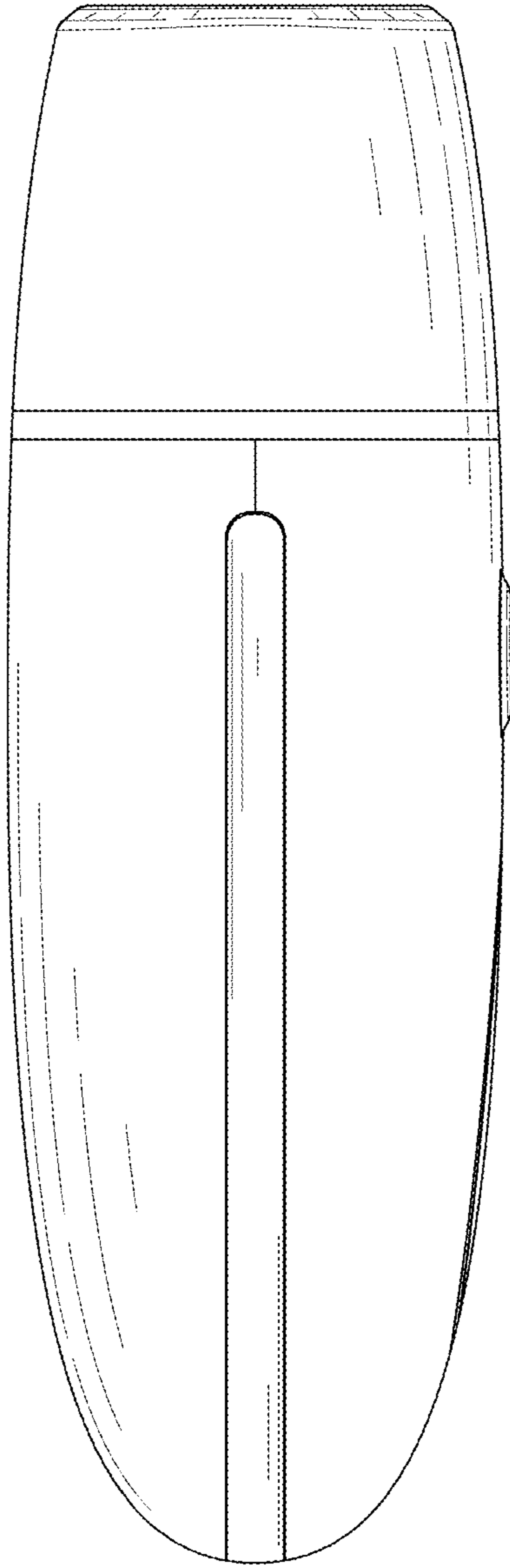


FIG. 5

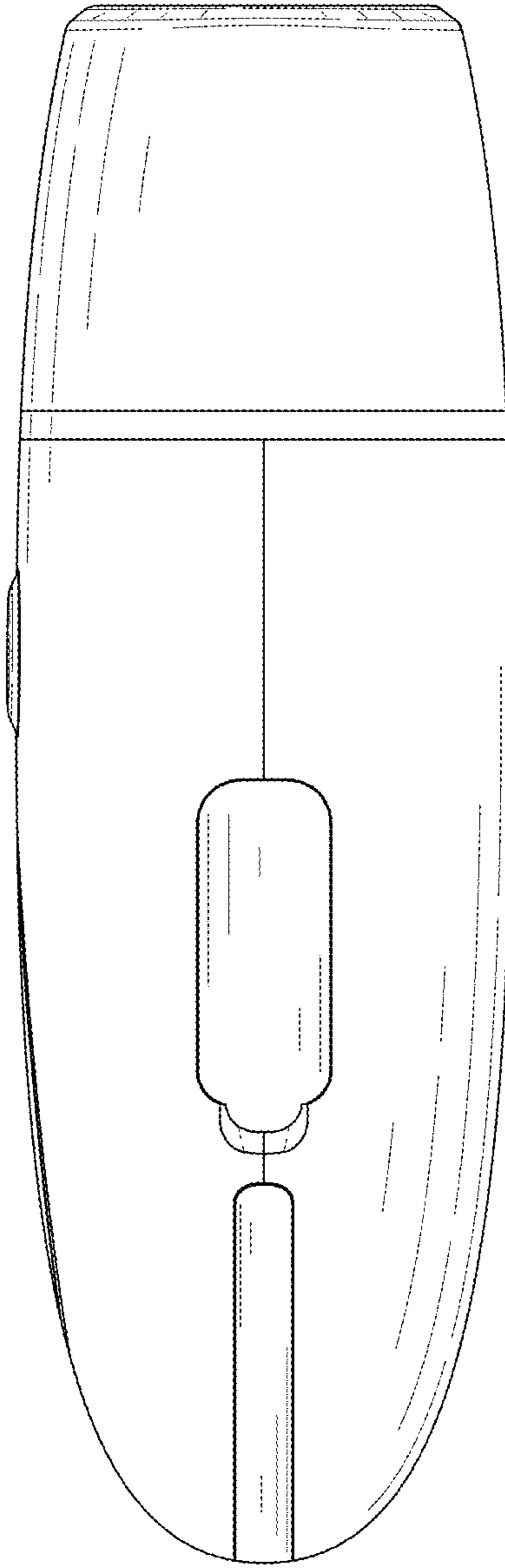


FIG. 6



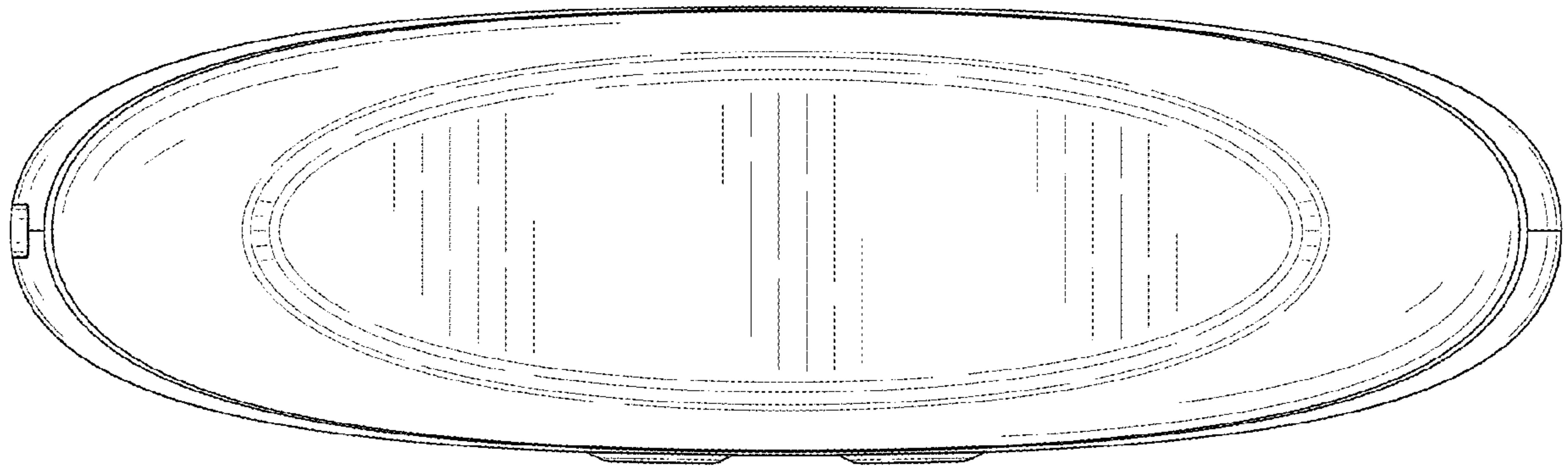


FIG. 7

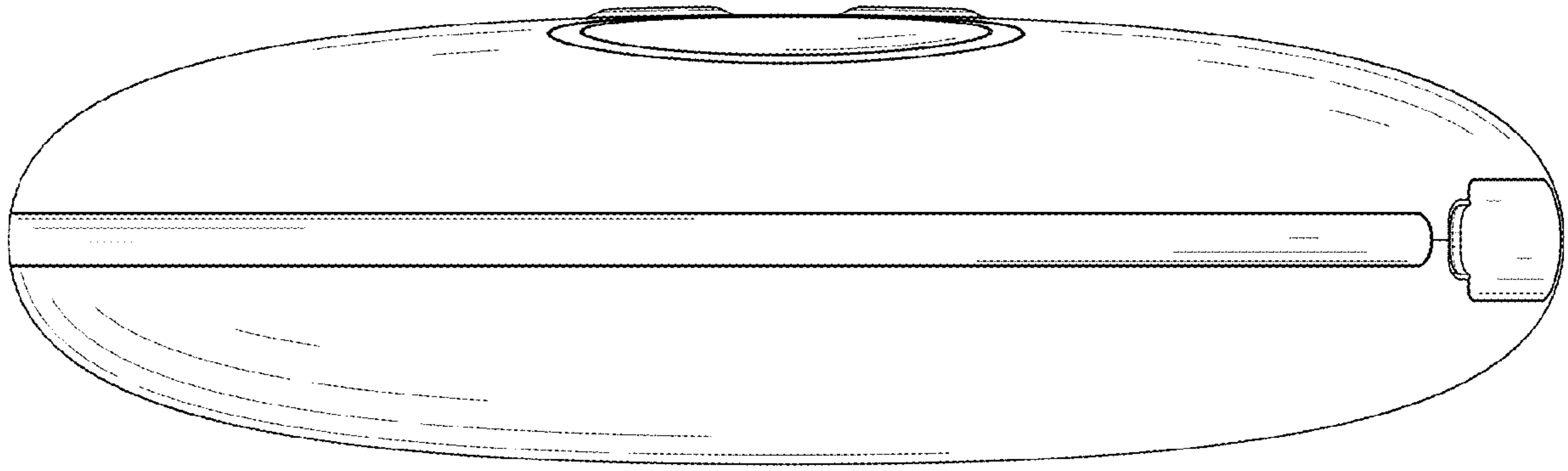


FIG. 8