



US00D987099S

(12) **United States Design Patent** (10) **Patent No.:** **US D987,099 S**
Liu (45) **Date of Patent:** **** May 23, 2023**

(54) **FASCIA GUN**
(71) Applicant: **Wenwu Liu**, Shenzhen (CN)
(72) Inventor: **Wenwu Liu**, Shenzhen (CN)
(**) Term: **15 Years**
(21) Appl. No.: **29/801,595**
(22) Filed: **Jul. 29, 2021**
(51) **LOC (14) Cl.** **24-01**
(52) **U.S. Cl.**
USPC **D24/215**
(58) **Field of Classification Search**
USPC D24/200, 211, 212, 213, 214, 215;
D8/14.1; D28/13
CPC A61H 23/006; A61H 23/02; A61H
2201/0165; A61H 15/0085; A61H 7/003
See application file for complete search history.

D956,992 S * 7/2022 Lin D24/215
D961,108 S * 8/2022 Jin D24/215
D968,631 S * 11/2022 Zheng D24/215
D969,335 S * 11/2022 Zhang D24/215
D974,581 S * 1/2023 Brailey D24/215
D975,302 S * 1/2023 Chen D24/215
D975,861 S * 1/2023 Zhang D24/215

* cited by examiner

Primary Examiner — Michael A Maharajh
(74) *Attorney, Agent, or Firm* — ScienBiziP, P.C.

(57) **CLAIM**

The ornamental design for a fascia gun, as shown and described.

DESCRIPTION

FIG. 1 is a front, right, and top perspective view of a fascia gun, showing my design.
FIG. 2 is a rear, left, and bottom perspective view thereof.
FIG. 3 is a front elevation view thereof.
FIG. 4 is a rear elevation view thereof.
FIG. 5 is a left side elevation view thereof.
FIG. 6 is a right side elevation view thereof.
FIG. 7 is a top plan view thereof; and,
FIG. 8 is a bottom plan view thereof.
The broken lines shown in the drawings are included for the purpose of illustrating portions of the fascia gun that form no part of the claimed design.

(56) **References Cited**

U.S. PATENT DOCUMENTS

D863,571 S * 10/2019 Yang D24/200
D899,620 S * 10/2020 Huang D24/215
D916,307 S * 4/2021 Xiong D24/215
D933,844 S * 10/2021 Chen D24/214
D949,383 S * 4/2022 Xu D24/215
D949,389 S * 4/2022 Ying D24/215
D949,421 S * 4/2022 Luo D24/215
D950,088 S * 4/2022 Tian D24/215
D950,753 S * 5/2022 Zhang D24/215
D956,259 S * 6/2022 Xu D24/215

1 Claim, 8 Drawing Sheets

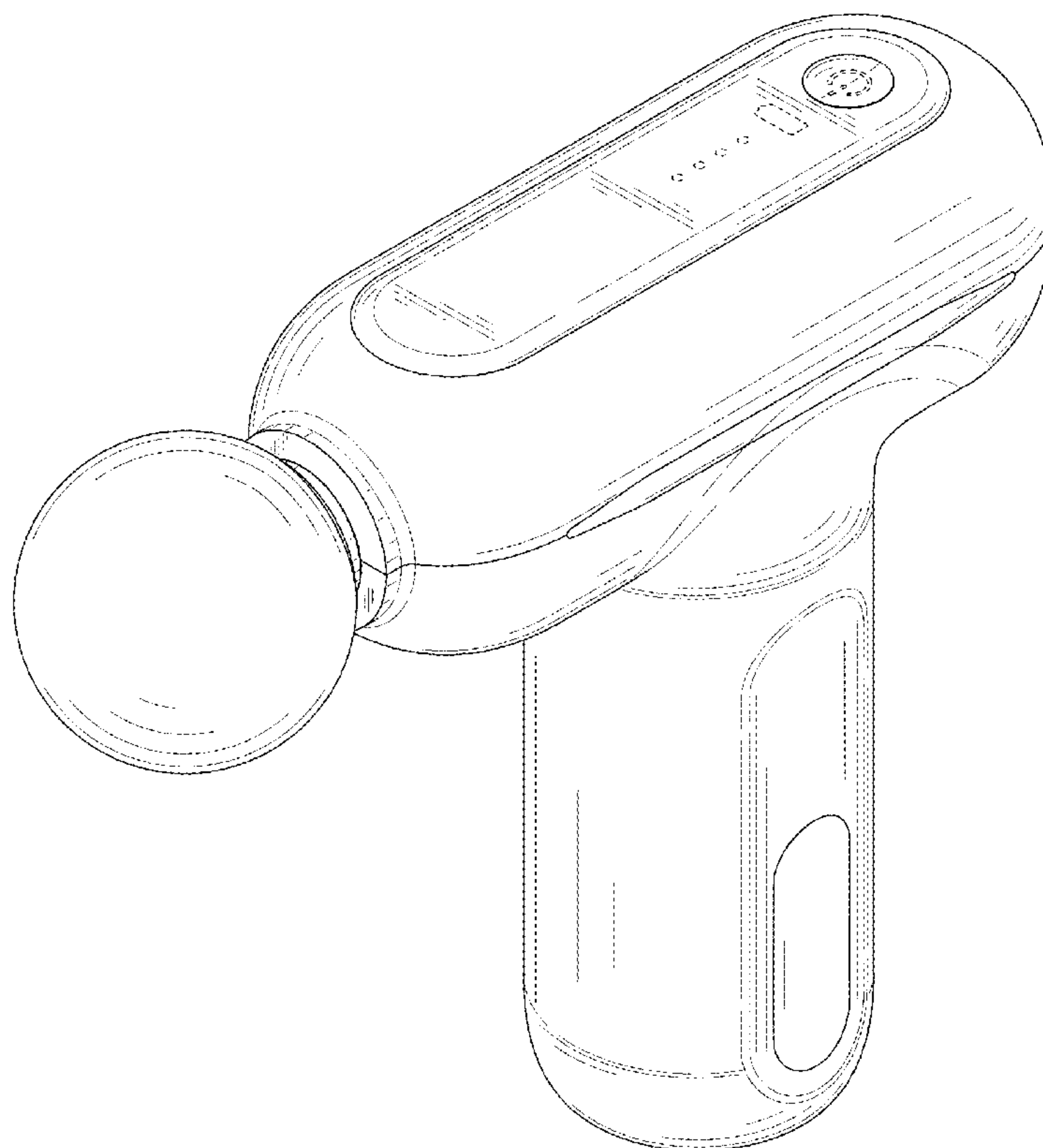




FIG. 1

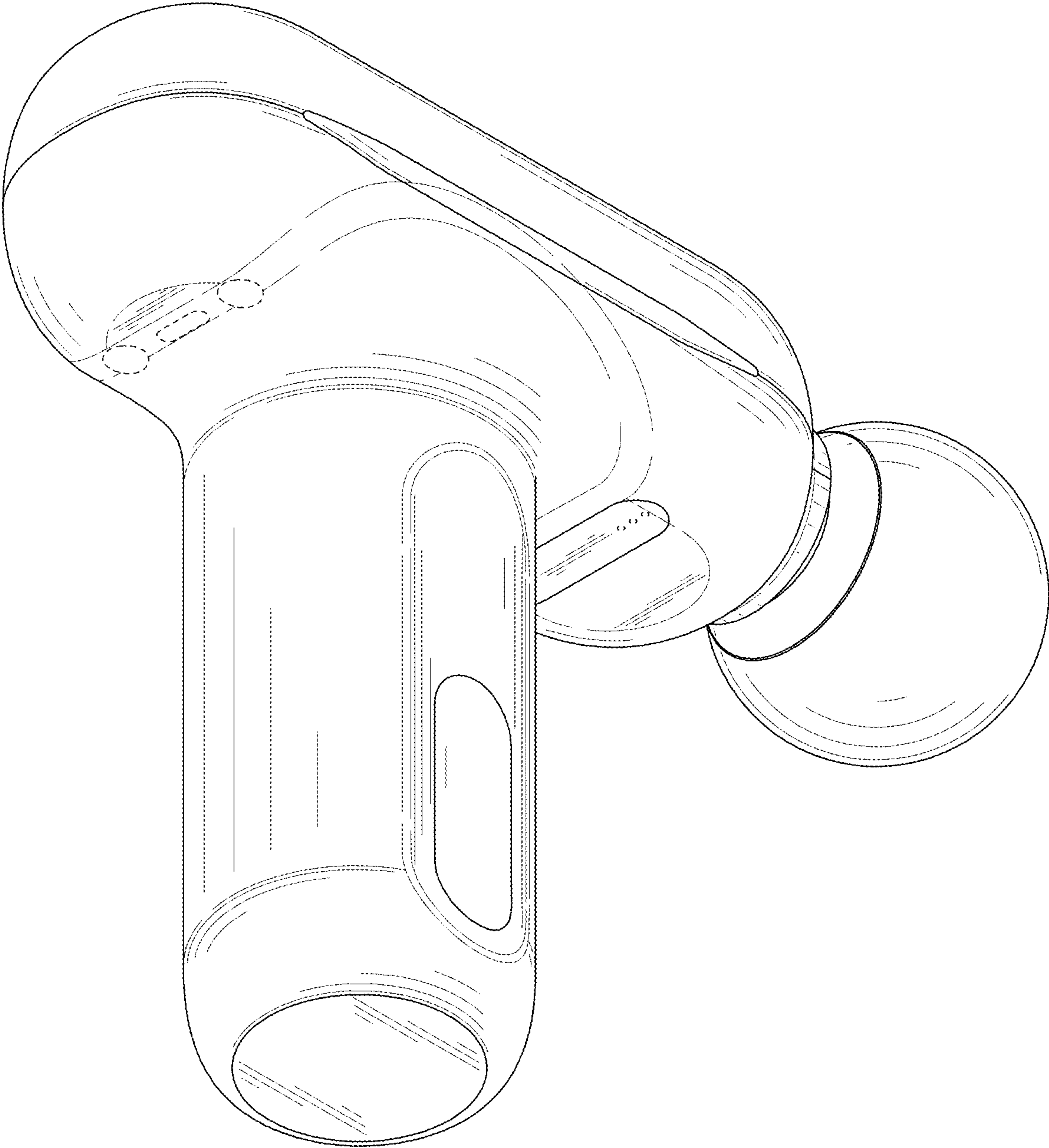


FIG. 2

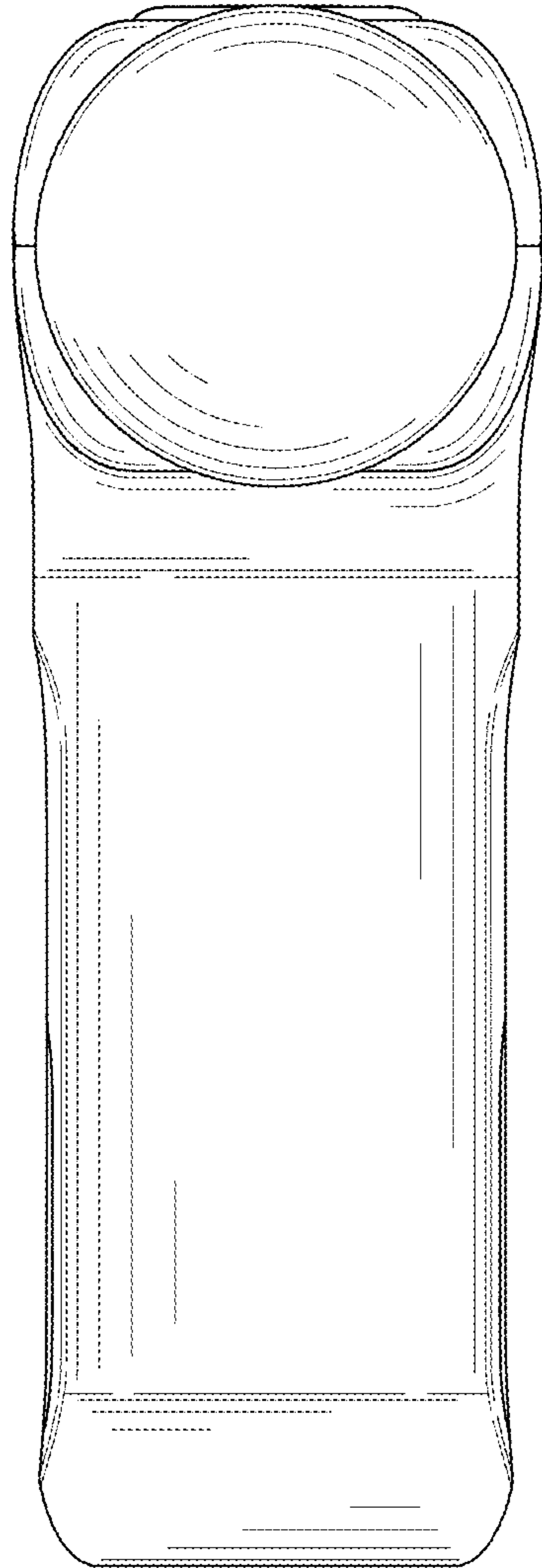


FIG. 3

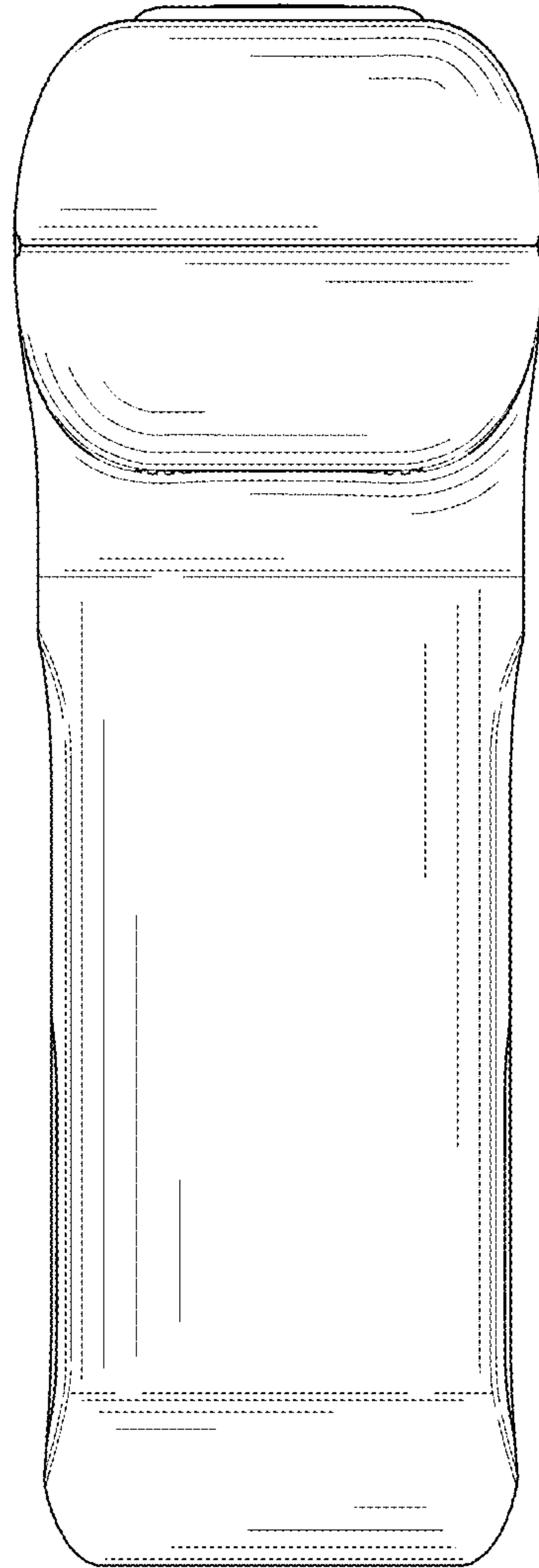


FIG. 4

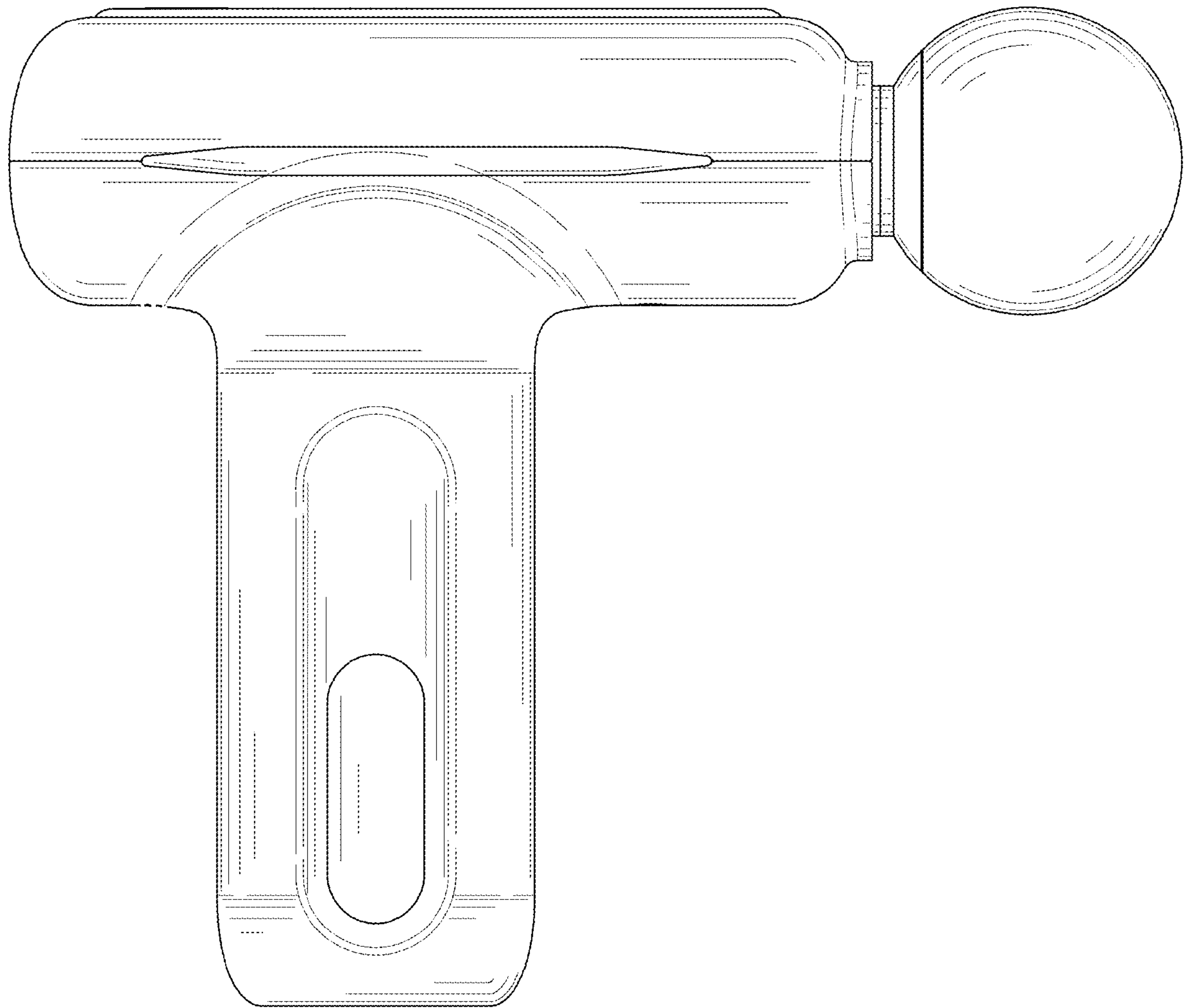


FIG. 5

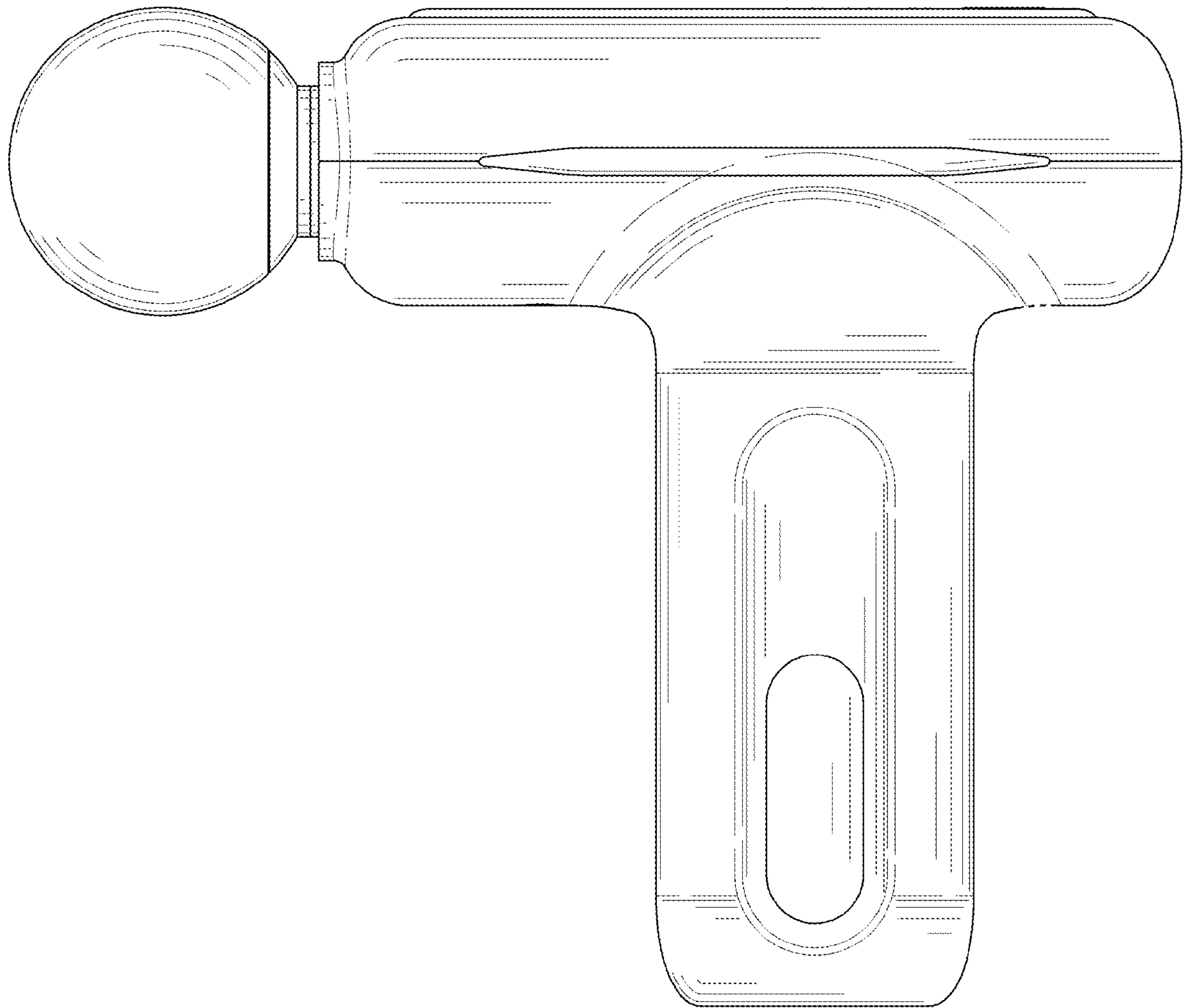


FIG. 6

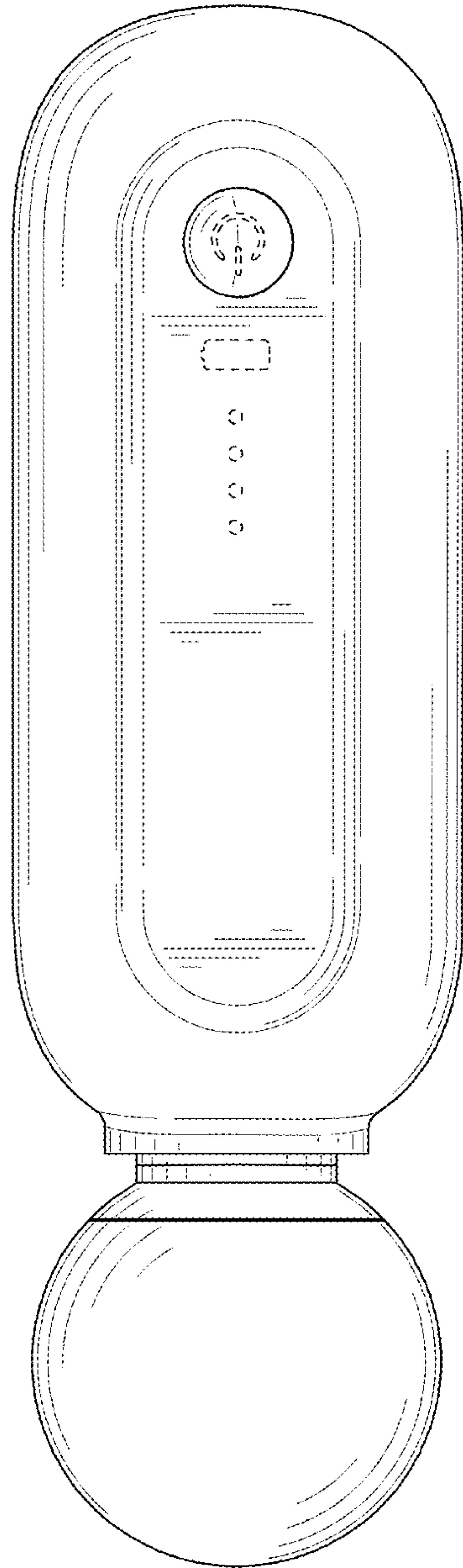


FIG. 7

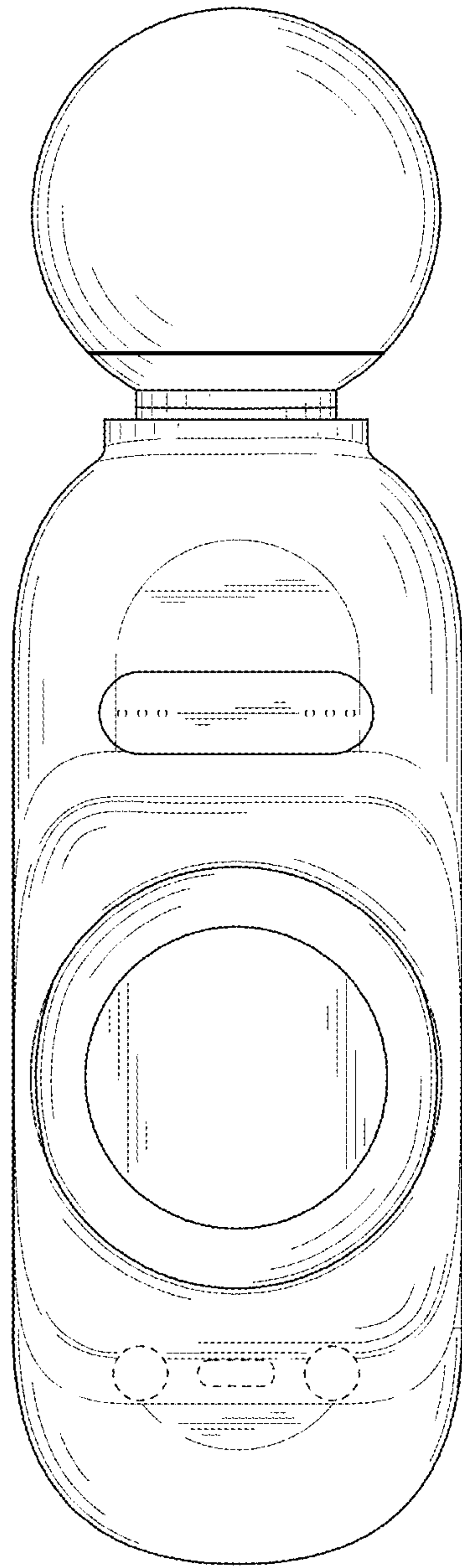


FIG. 8