



US00D987097S

(12) **United States Design Patent** (10) **Patent No.:** **US D987,097 S**  
**Zhang** (45) **Date of Patent:** **\*\* May 23, 2023**

(54) **MESSAGE GUN**

(74) *Attorney, Agent, or Firm* — Timothy T Wang; Ni, Wang & Massand, PLLC

(71) Applicant: **Sichuan Qianli-beoka Medical Technology Inc.**, Sichuan (CN)

(57) **CLAIM**

(72) Inventor: **Wen Zhang**, Chengdu (CN)

The ornamental design for a massage gun, as shown and described.

(73) Assignee: **Sichuan Qianli-beoka Medical Technology Inc.**

**DESCRIPTION**

(\*\*) Term: **15 Years**

FIG. 1 is a front perspective view of a massage gun showing my new design and showing the moveable massage head in a horizontal position;

(21) Appl. No.: **29/799,855**

FIG. 2 is a front perspective view of thereof and showing the moveable massage head in a up position;

(22) Filed: **Jul. 16, 2021**

FIG. 3 is a front elevational view thereof showing the moveable massage head in a horizontal position;

(30) **Foreign Application Priority Data**

Jan. 25, 2021 (CN) ..... 202130053729.6

FIG. 4 is a back elevational view thereof showing the moveable massage head in a horizontal position;

(51) **LOC (14) Cl.** ..... **24-01**

FIG. 5 is a right elevational view thereof showing the moveable massage head in a horizontal position;

(52) **U.S. Cl.**

USPC ..... **D24/215**

FIG. 6 is a left elevational view thereof showing the moveable massage head in a horizontal position;

(58) **Field of Classification Search**

USPC ..... D24/200, 211, 212, 213, 214, 215; D8/14.1; D28/13

FIG. 7 is a top plan view thereof showing the moveable massage head in a horizontal position;

CPC ..... A61H 23/006; A61H 2201/0153; A61H 2201/0157; A61H 2201/0165; A61H

FIG. 8 is a bottom plan view thereof showing the moveable massage head in a horizontal position;

(Continued)

FIG. 9 is right elevational view thereof showing the moveable massage head in a up position;

(56) **References Cited**

**U.S. PATENT DOCUMENTS**

D918,411 S \* 5/2021 Xu ..... D24/215

FIG. 10 is a left elevational view thereof showing the moveable massage head in a up position;

D920,531 S \* 5/2021 Xu ..... D24/215

FIG. 11 is front elevational view thereof showing the moveable massage head in a up position;

D924,424 S \* 7/2021 Wang ..... D24/215

FIG. 12 is back elevational view thereof showing the moveable massage head in a up position;

(Continued)

FIG. 13 is a top plan view thereof showing the moveable massage head in a up position; and,

**OTHER PUBLICATIONS**

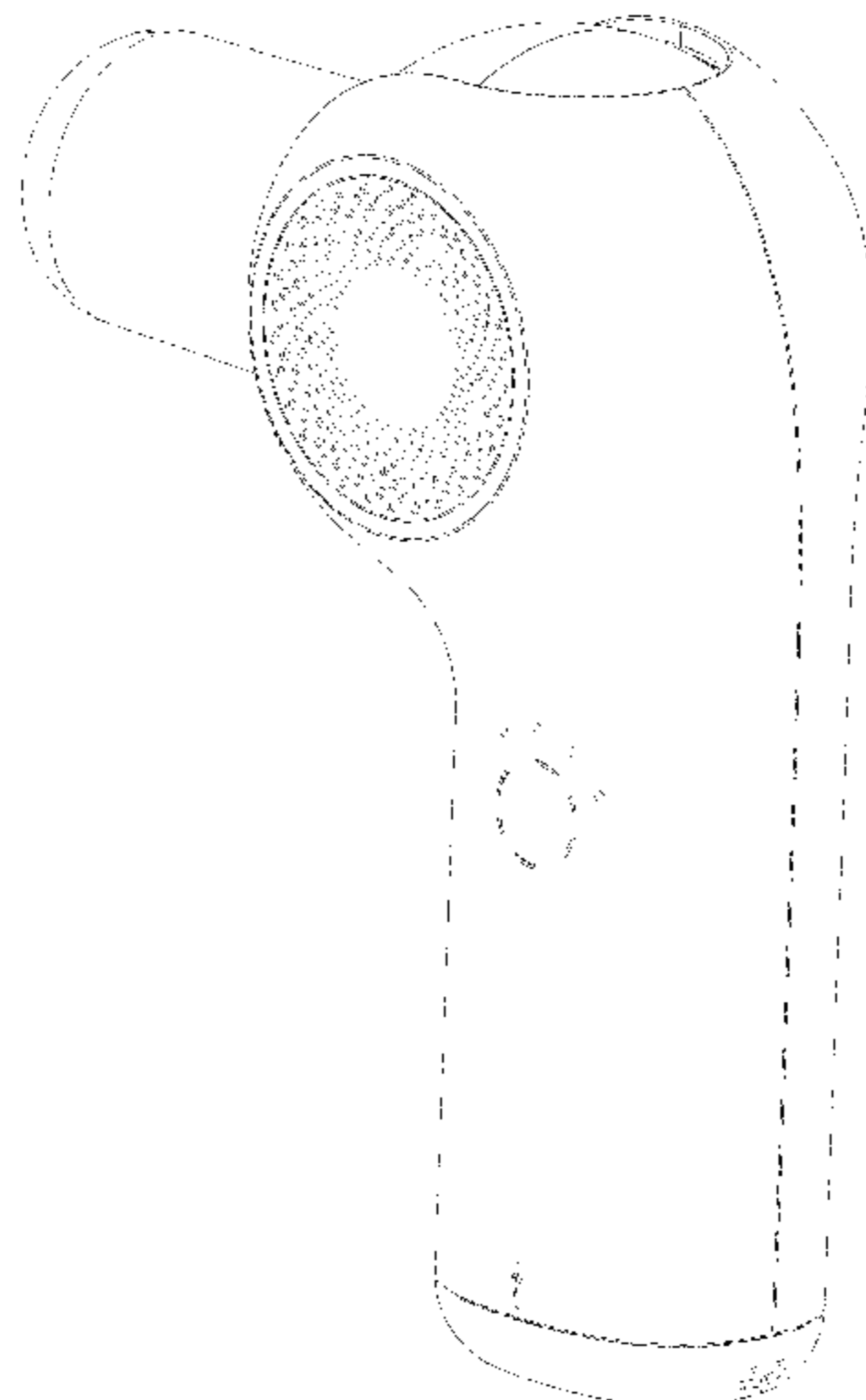
Beoka, "D2 Mini Muscle Massager", Access Date: Dec. 8, 2022. <https://www.beokaodm.com/products/d2-mini-muscle-massager/> (Year: 2022).\*

FIG. 14 is a bottom plan view thereof showing the moveable massage head in a up position.

The broken lines shown in the figures are for the purpose of illustrating portions of the massage gun, which form no part of the claimed design.

*Primary Examiner* — Michael A Maharajh

**1 Claim, 14 Drawing Sheets**



(58) **Field of Classification Search**

CPC .... 15/0085; A61H 7/005; A61H 23/00; A61H  
7/00; A61H 7/003; A61H 2023/002

See application file for complete search history.

(56) **References Cited**

U.S. PATENT DOCUMENTS

D932,045	S	*	9/2021	Shen	.....	D24/215
D945,005	S	*	3/2022	Gao	.....	D24/215
D949,400	S	*	4/2022	Wersland	.....	D24/215
D949,411	S	*	4/2022	Chen	.....	D24/215
D949,412	S	*	4/2022	Chen	.....	D24/215
D953,556	S	*	5/2022	Marton	.....	D24/215
D953,559	S	*	5/2022	He	.....	D24/215
D961,797	S	*	8/2022	Huang	.....	D24/215
D963,185	S	*	9/2022	Kong	.....	D24/215
D963,879	S	*	9/2022	Li	.....	D24/215
D964,585	S	*	9/2022	Tang	.....	D24/215
D965,167	S	*	9/2022	Yu	.....	D24/215
D965,808	S	*	10/2022	Jiang	.....	D24/215
D967,975	S	*	10/2022	Wersland	.....	D24/215
D967,976	S	*	10/2022	Wersland	.....	D24/215
D967,977	S	*	10/2022	Wersland	.....	D24/215
D967,979	S	*	10/2022	Wersland	.....	D24/215

\* cited by examiner

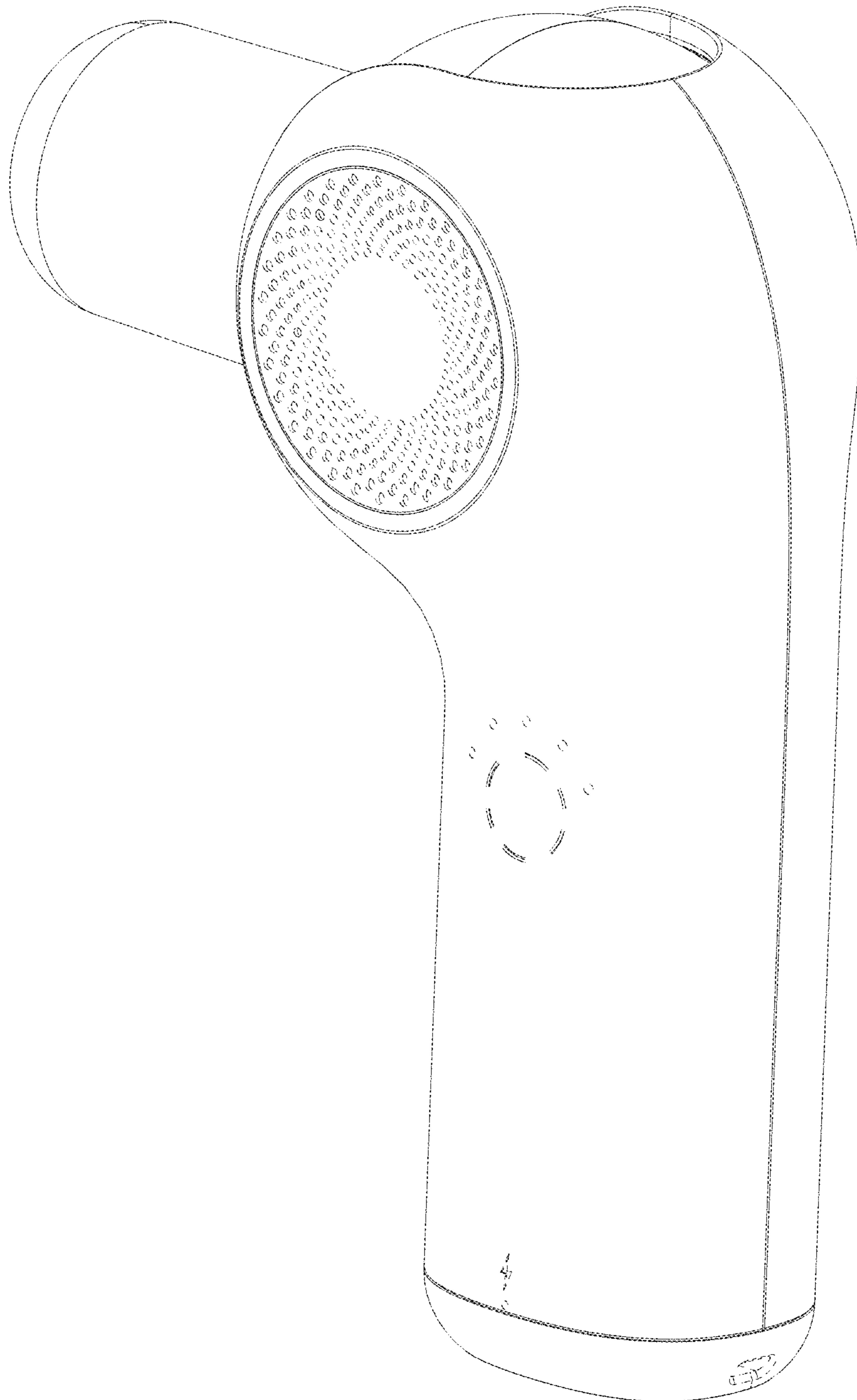


FIG. 1

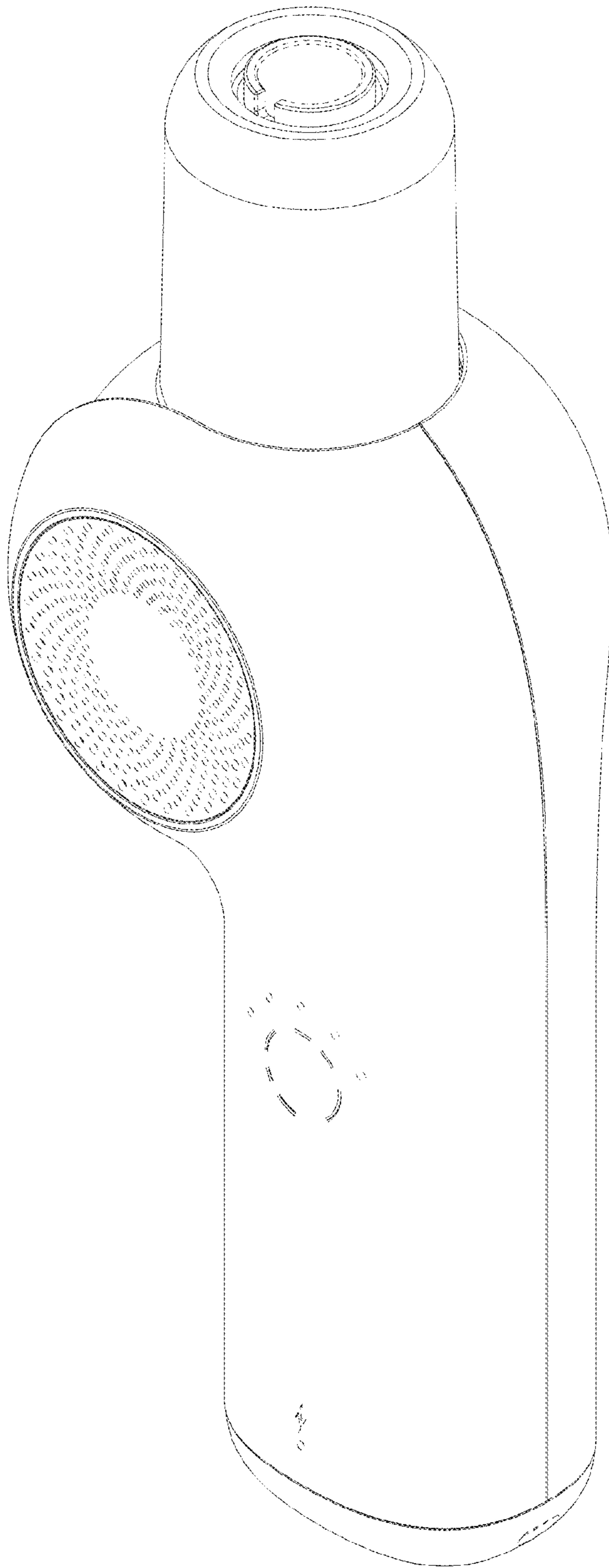


FIG. 2

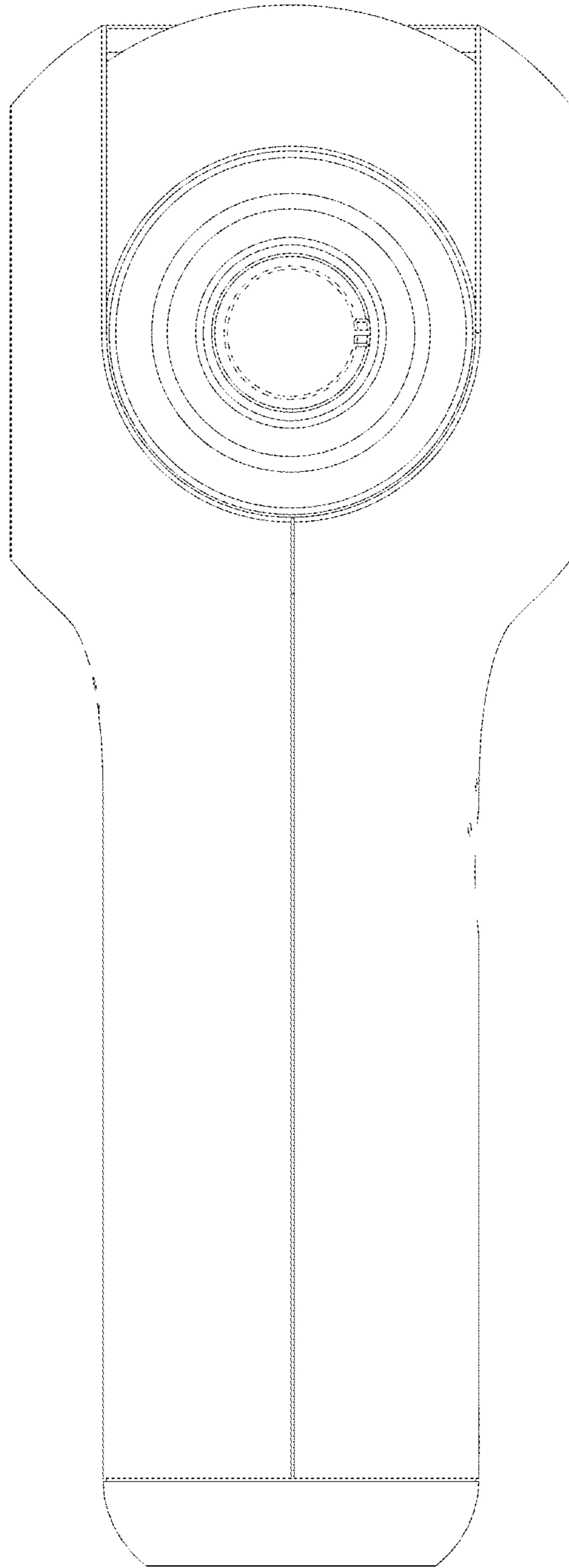


FIG. 3

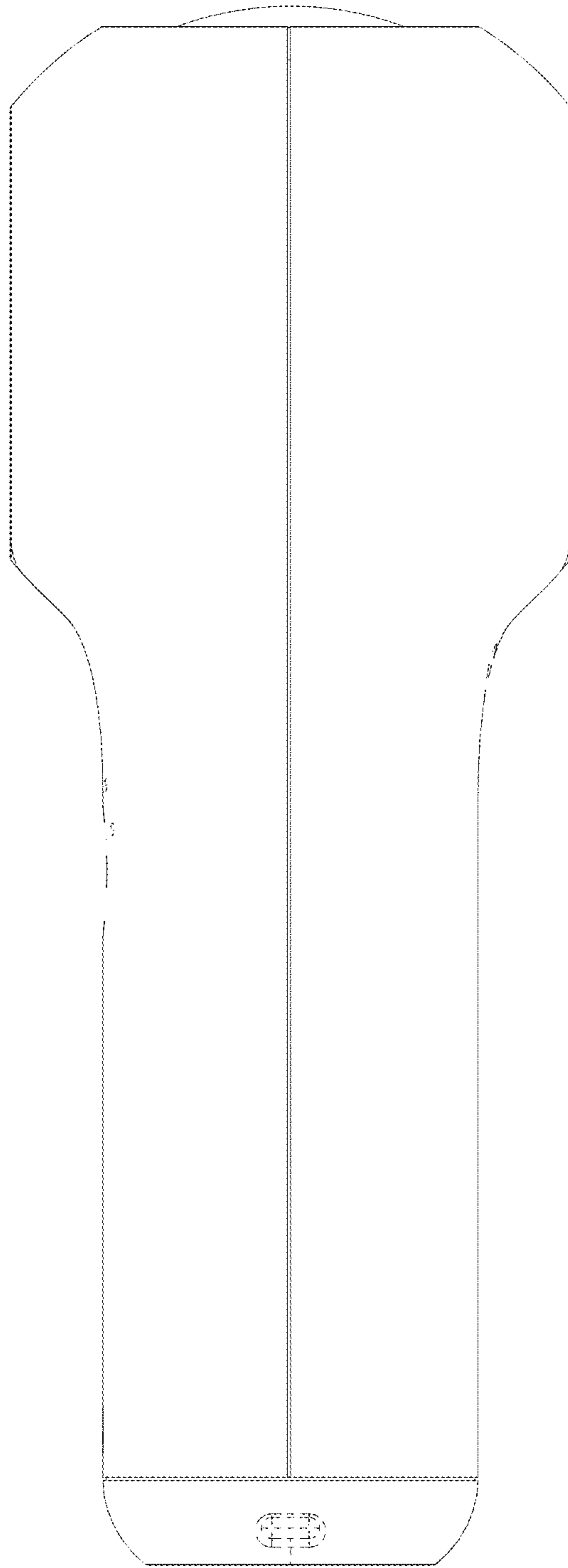


FIG. 4

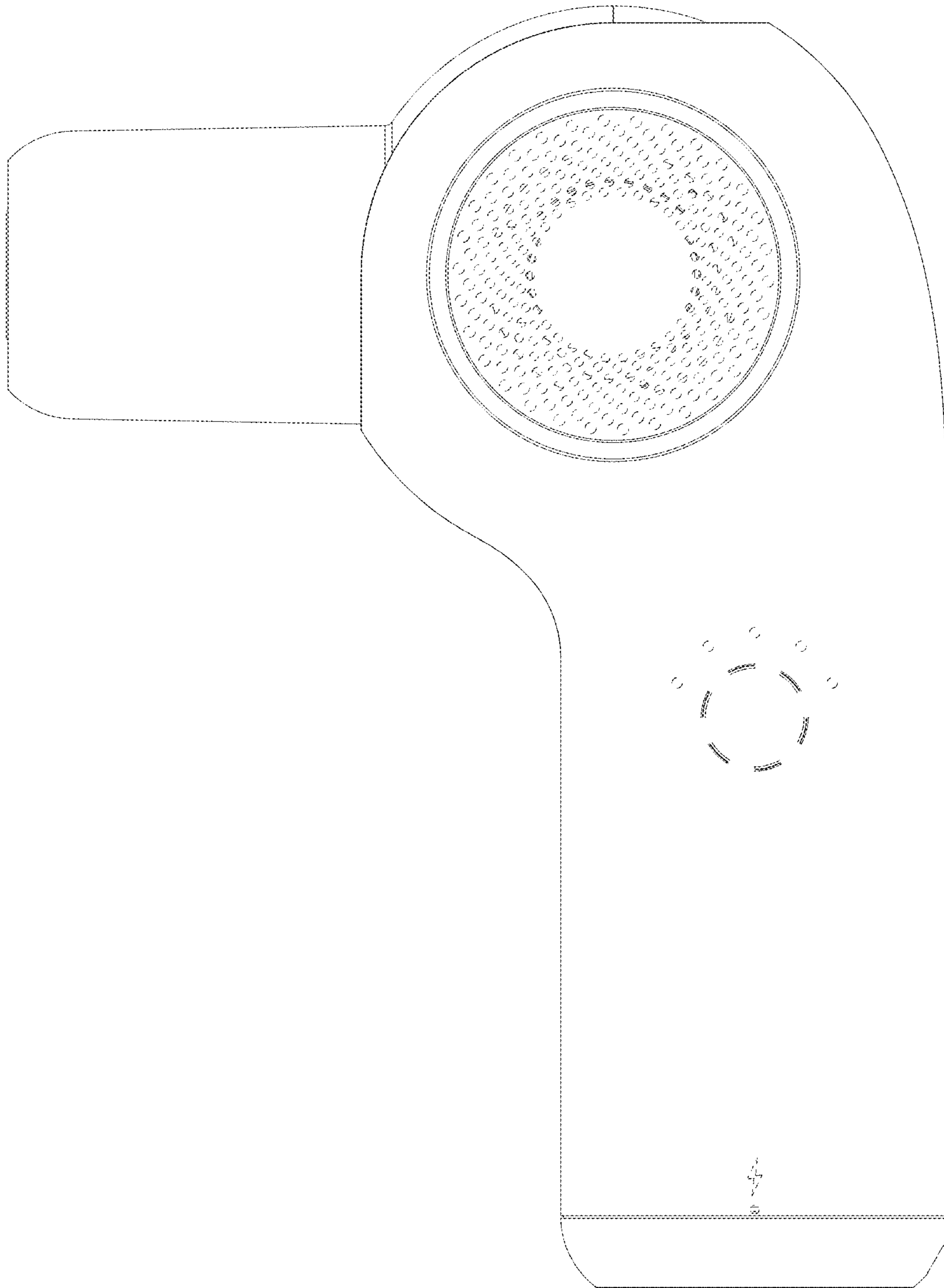


FIG. 5

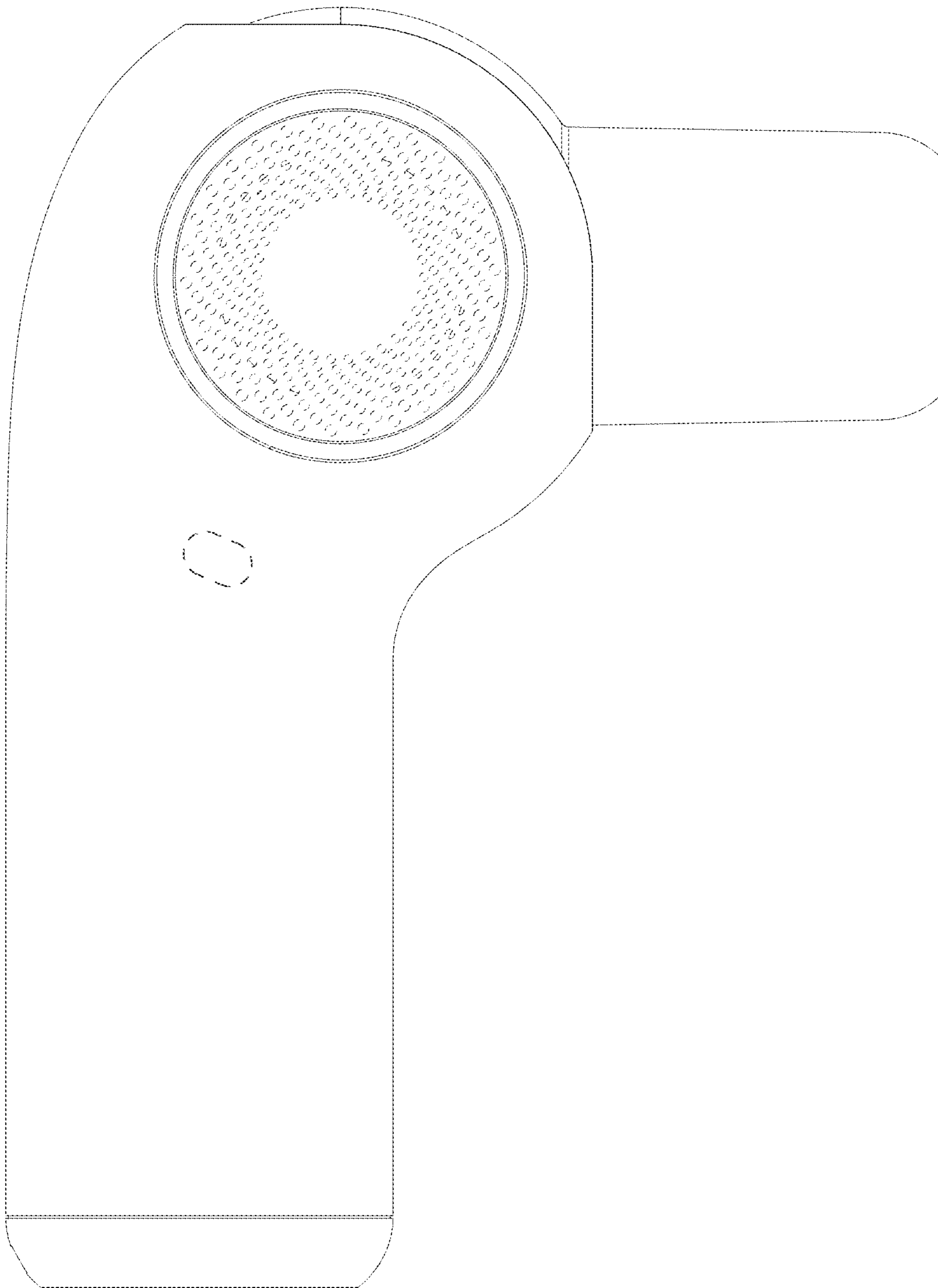


FIG. 6



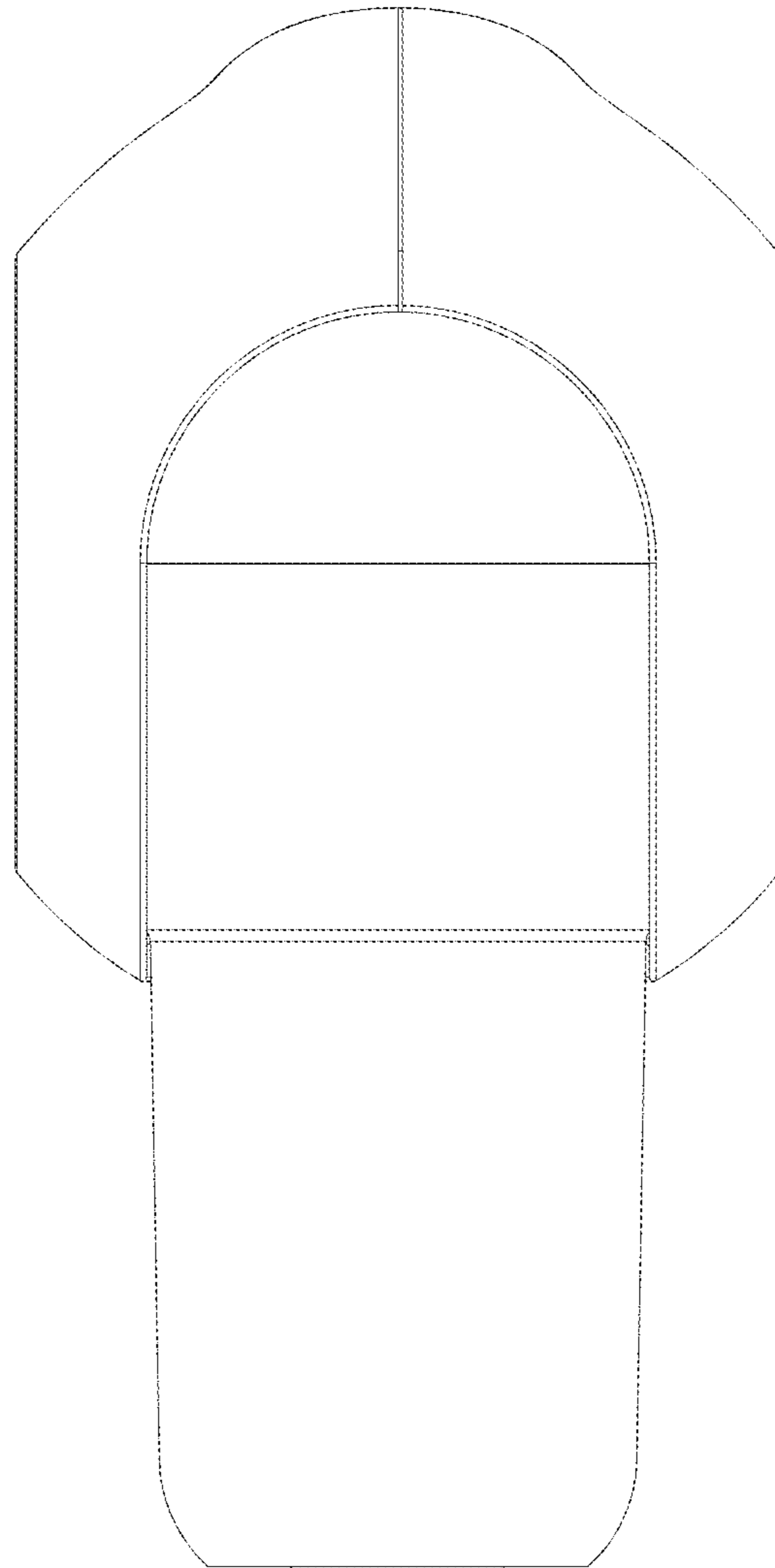


FIG. 7

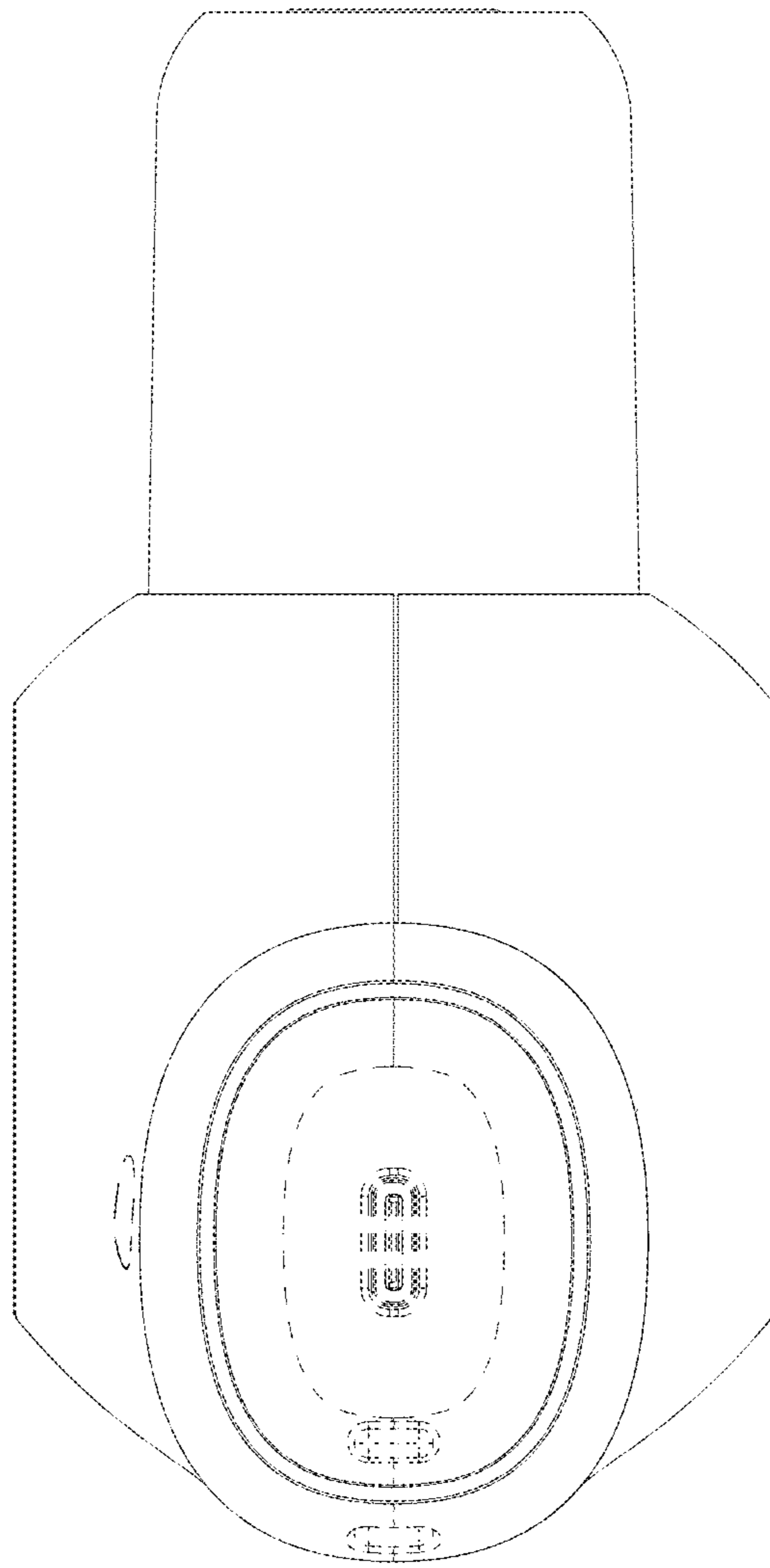


FIG. 8

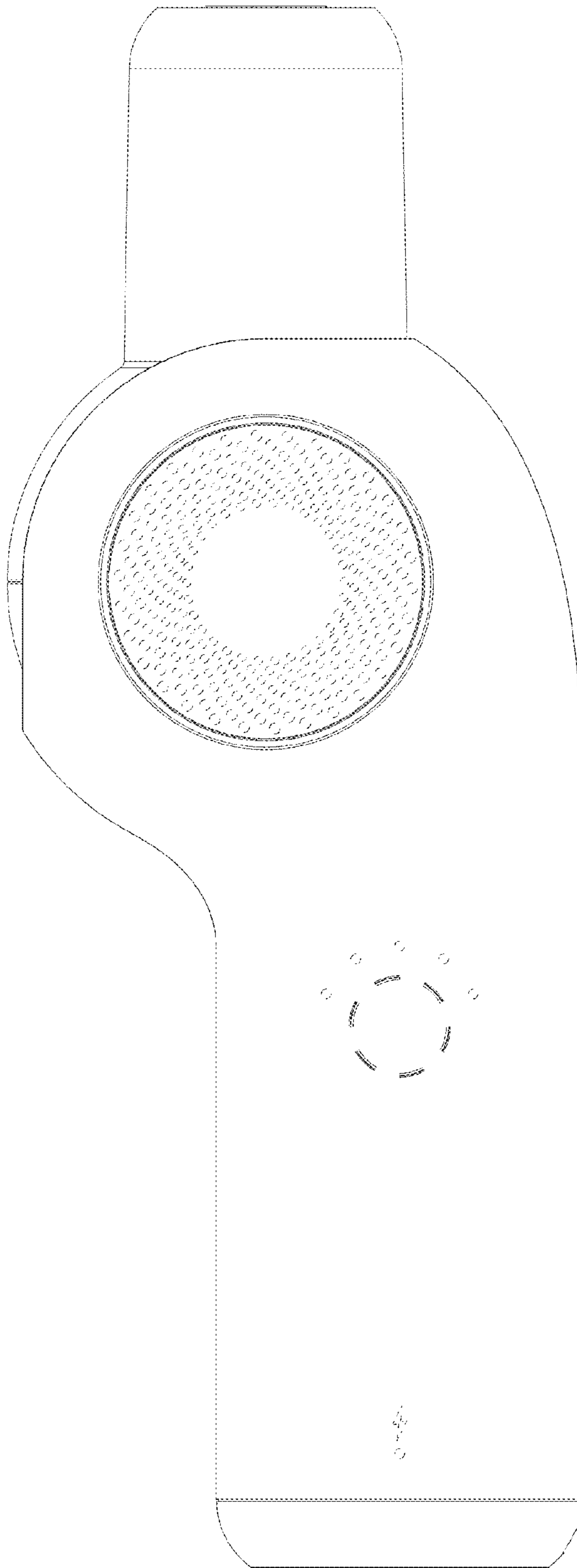


FIG. 9

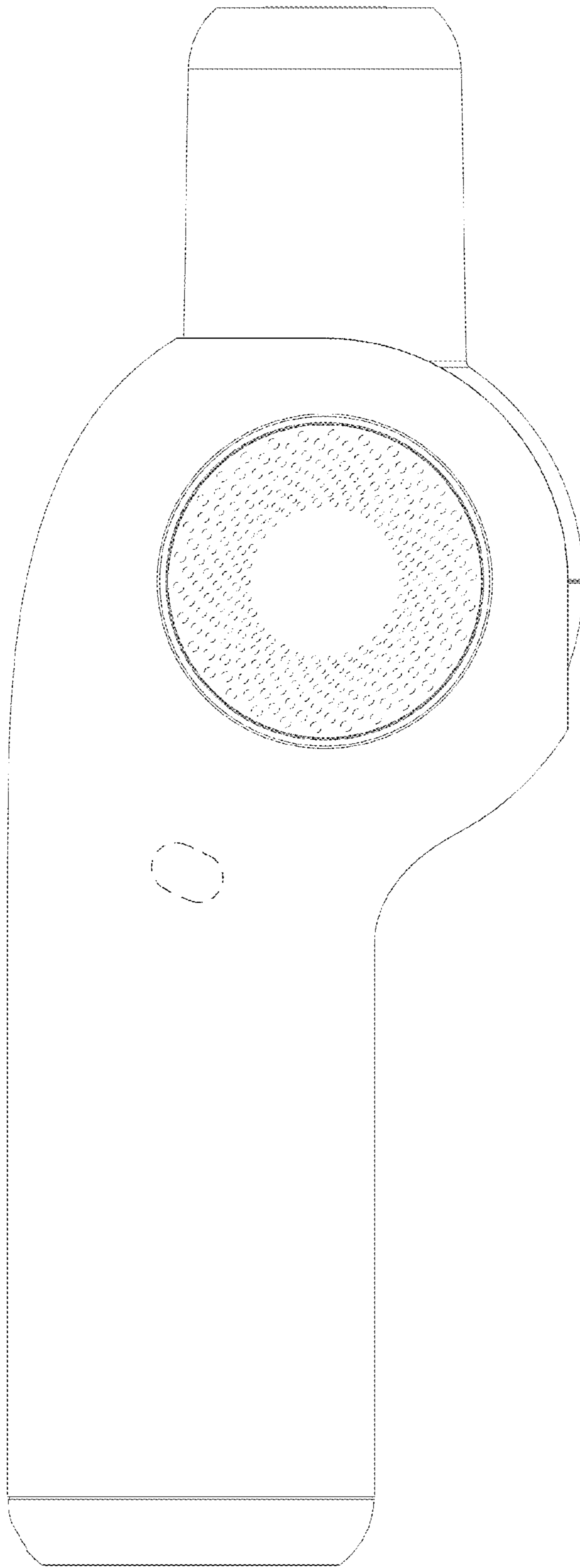


FIG. 10

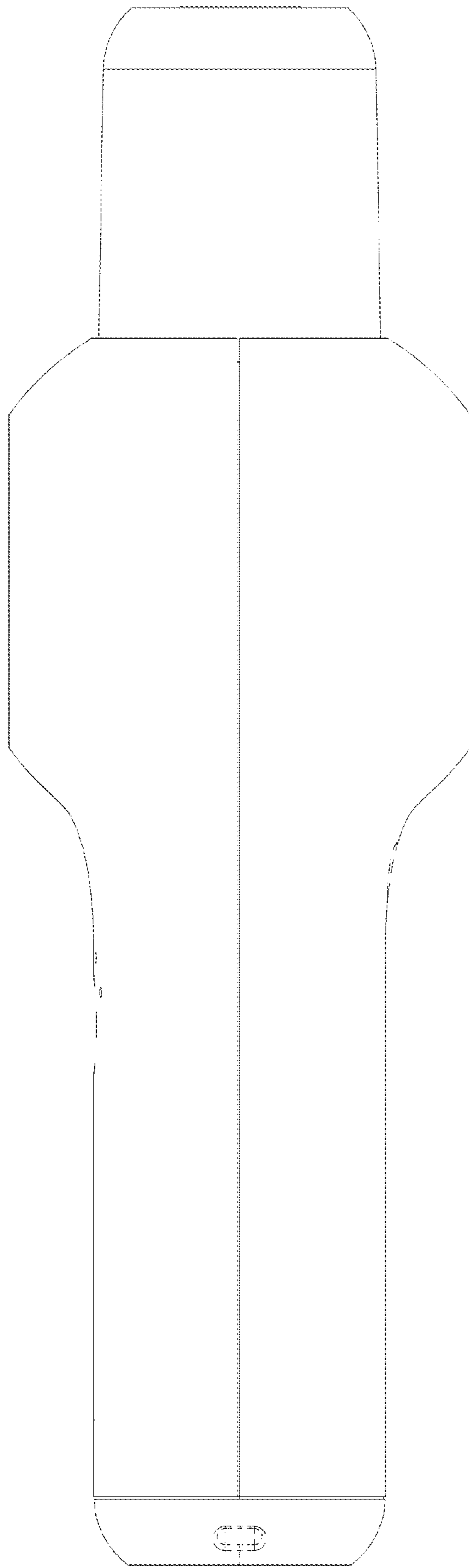


FIG. 11

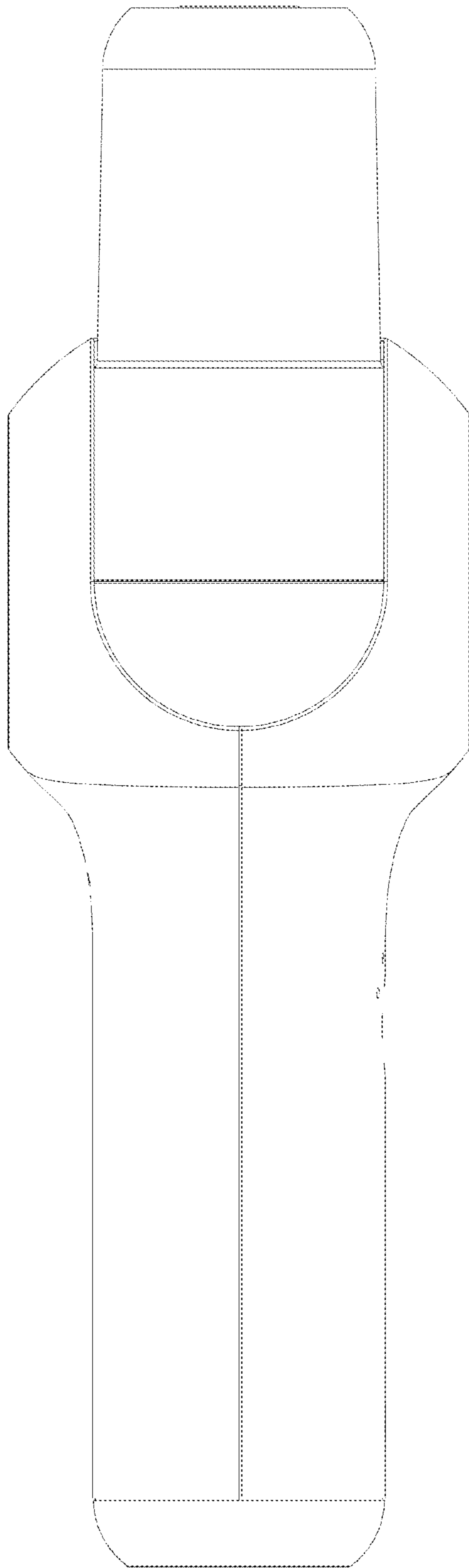


FIG. 12

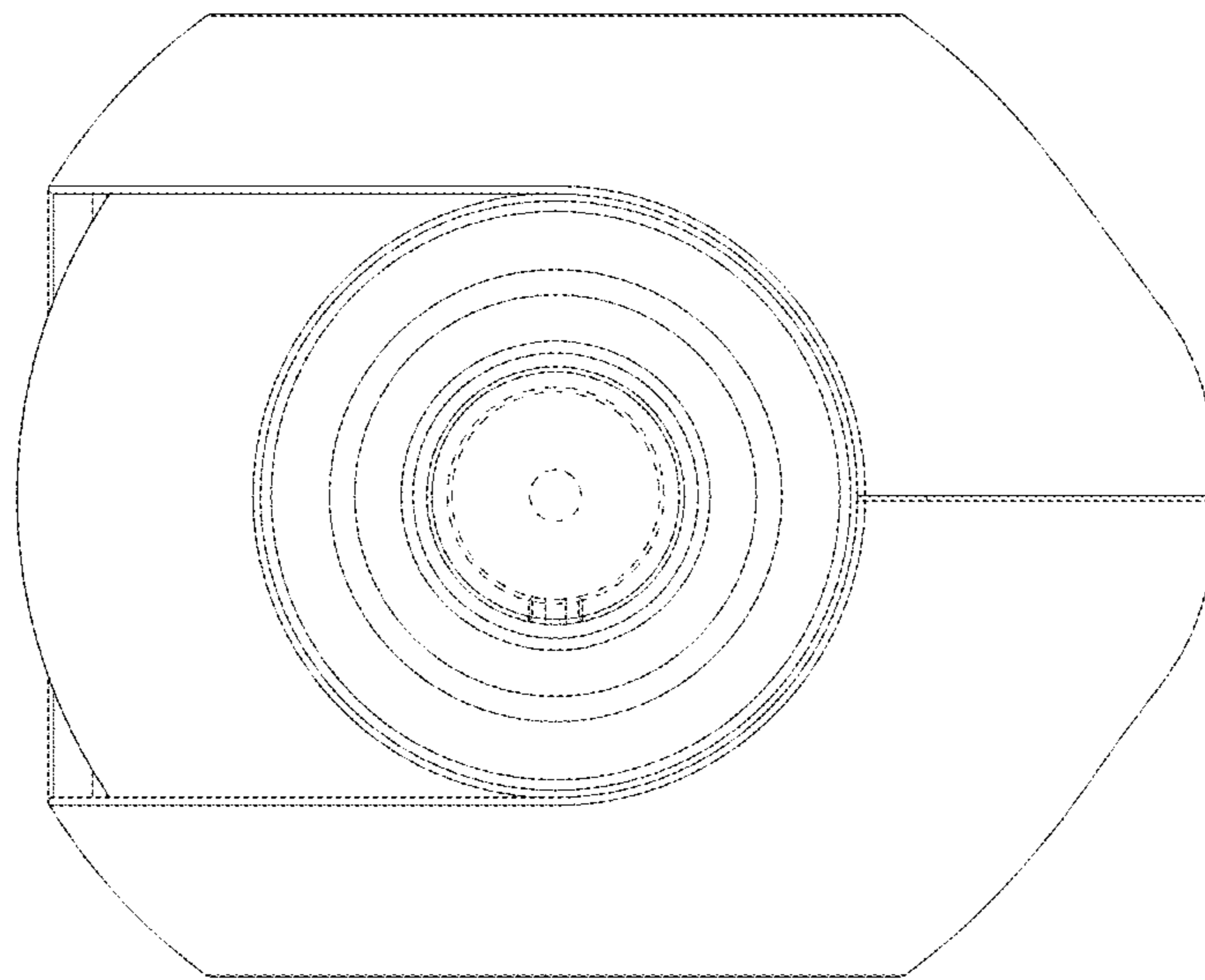


FIG. 13

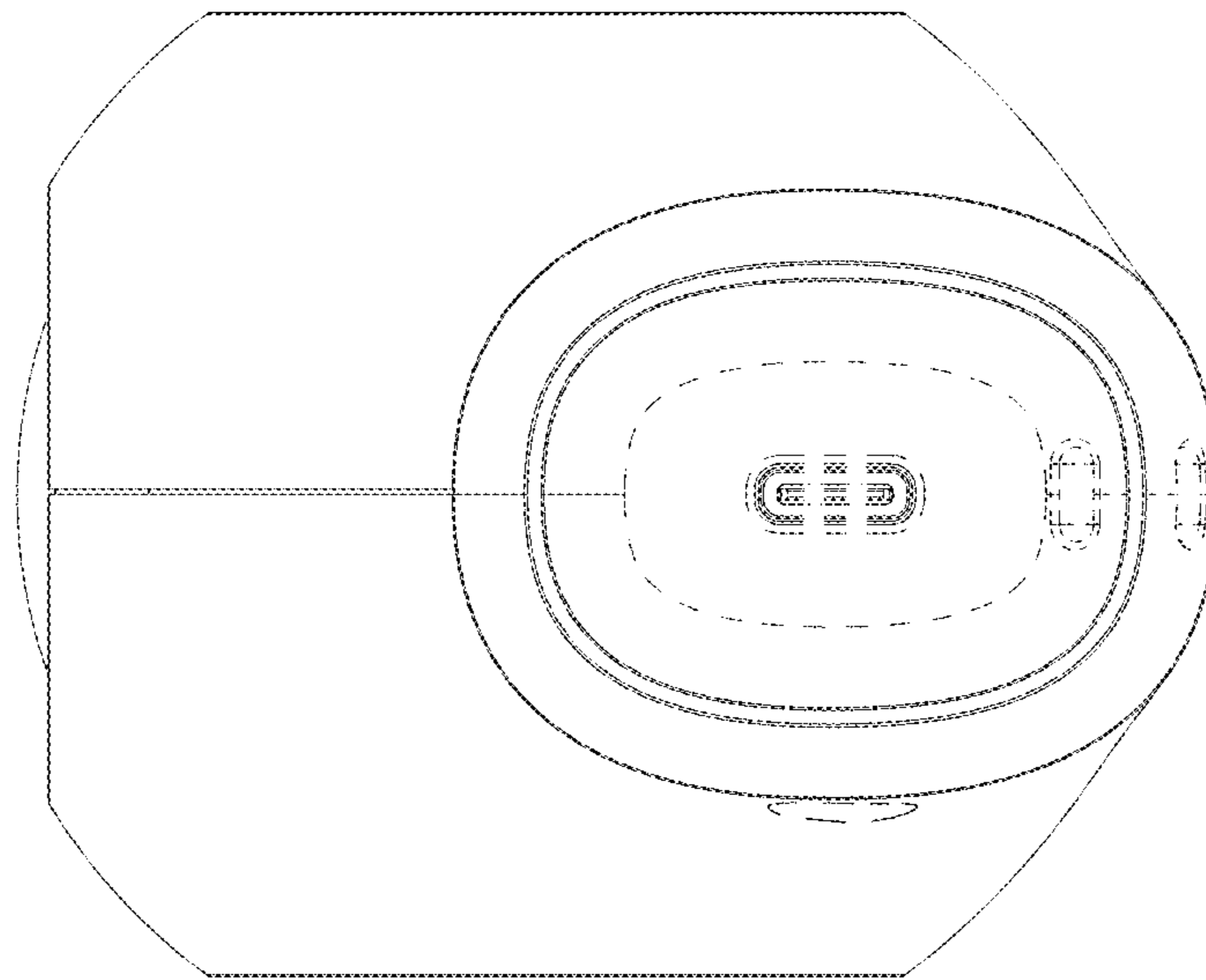


FIG. 14