



US00D987095S

(12) **United States Design Patent** (10) **Patent No.:** **US D987,095 S**  
**Wersland et al.** (45) **Date of Patent:** **\*\* May 23, 2023**

(54) **ATTACHMENT FOR FACIAL TREATMENT DEVICE**

(71) Applicant: **Therabody, Inc.**, Los Angeles, CA (US)

(72) Inventors: **Jason Wersland**, Manhattan Beach, CA (US); **Benjamin Nazarian**, Beverly Hills, CA (US); **Jaime Sanchez Solana**, Los Angeles, CA (US); **Eduardo Merino**, Beverly Hills, CA (US); **Tim Roberts**, Beverly Hills, CA (US)

(73) Assignee: **Therabody, Inc.**, Los Angeles, CA (US)

(\*\*) Term: **15 Years**

(21) Appl. No.: **29/773,164**

(22) Filed: **Mar. 8, 2021**

(51) **LOC (14) Cl.** ..... **24-01**

(52) **U.S. Cl.**  
USPC ..... **D24/215**

(58) **Field of Classification Search**  
USPC ..... D24/200, 209, 211, 212, 213, 214, 215;  
D7/393; D8/307, 310, 378; D9/435, 439  
CPC ..... A61H 2015/0014; A61H 23/006; A61H  
2015/0042; A61H 7/007  
See application file for complete search history.

(56) **References Cited**

**U.S. PATENT DOCUMENTS**

D708,754 S	7/2014	Harangvolgyi	
D845,500 S *	4/2019	Wersland .....	D24/211
D849,260 S *	5/2019	Wersland .....	D24/211
D850,639 S *	6/2019	Wersland .....	D24/211
D890,356 S *	7/2020	Jacobs .....	D24/214

D890,942 S *	7/2020	Wersland .....	D24/211
D890,943 S *	7/2020	Wersland .....	D24/211
D896,393 S *	9/2020	Wersland .....	D24/211
D904,636 S *	12/2020	Delassus .....	D24/214
D918,404 S *	5/2021	Wersland .....	D24/211
D918,405 S *	5/2021	Wersland .....	D24/211
D927,717 S *	8/2021	Wersland .....	D24/215
D949,366 S *	4/2022	Li .....	D24/211
D952,878 S *	5/2022	Lin .....	D24/211

**OTHER PUBLICATIONS**

Therabody, "TheraFace PRO Percussive Attachment", Access Date: Sep. 14, 2022. <https://www.therabody.com/us/en-us/theraface-pro-percussive-attachment-3-pack.html> (Year: 2022).\*

\* cited by examiner

*Primary Examiner* — Michael A Maharajh

(74) *Attorney, Agent, or Firm* — Sterne, Kessler, Goldstein & Fox P.L.L.C.

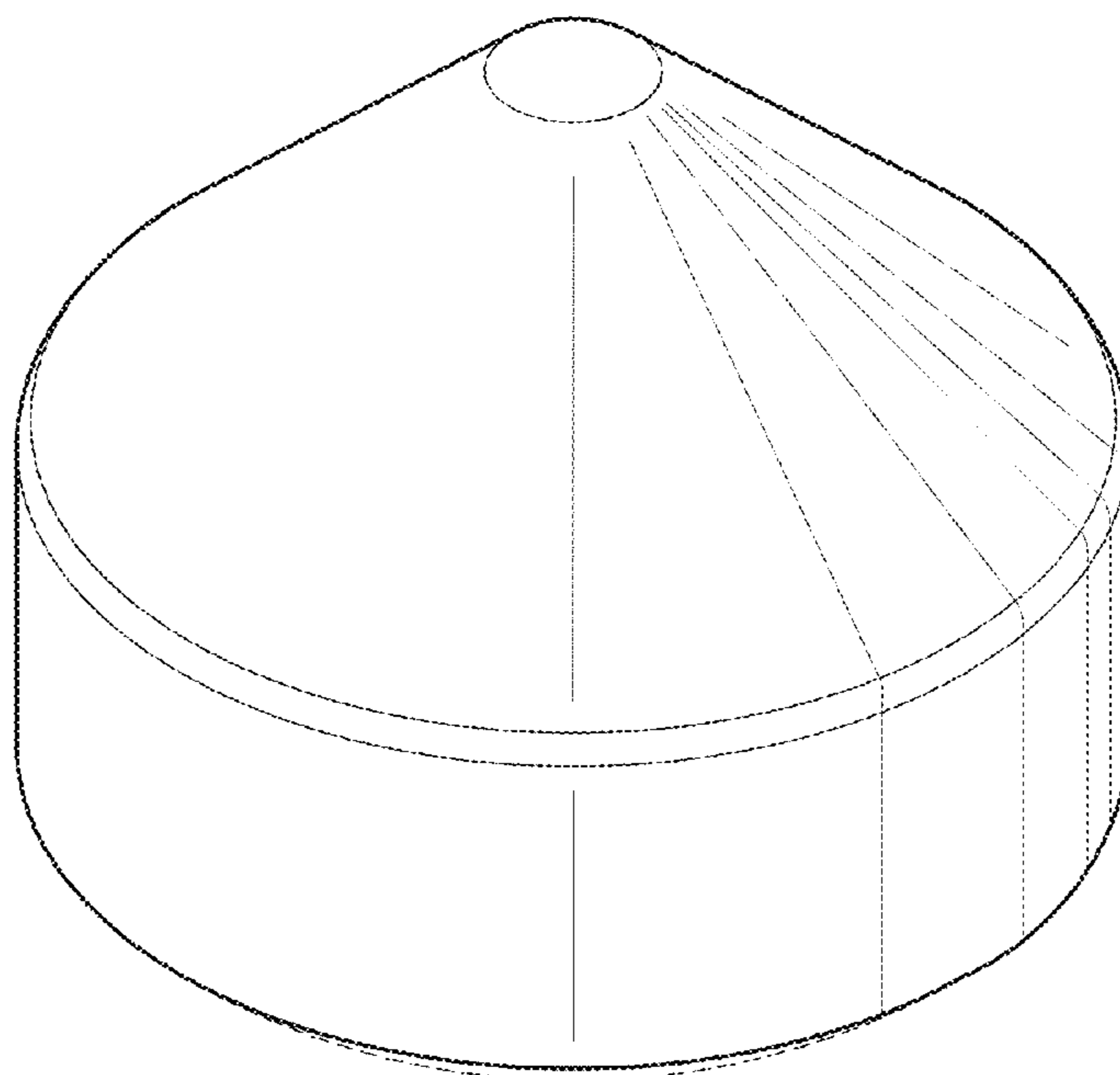
(57) **CLAIM**

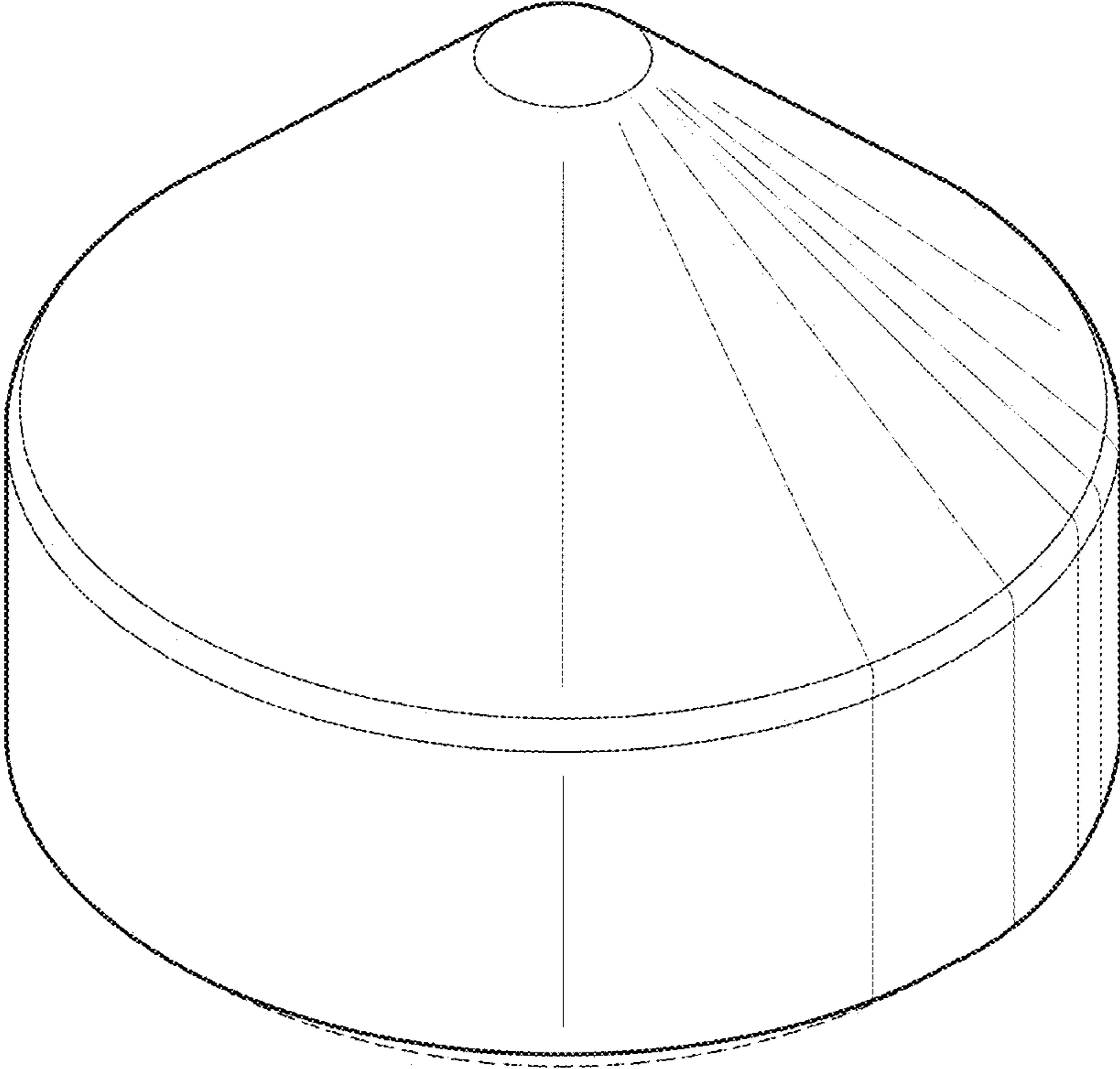
The ornamental design for an attachment for a facial treatment device, as shown and described.

**DESCRIPTION**

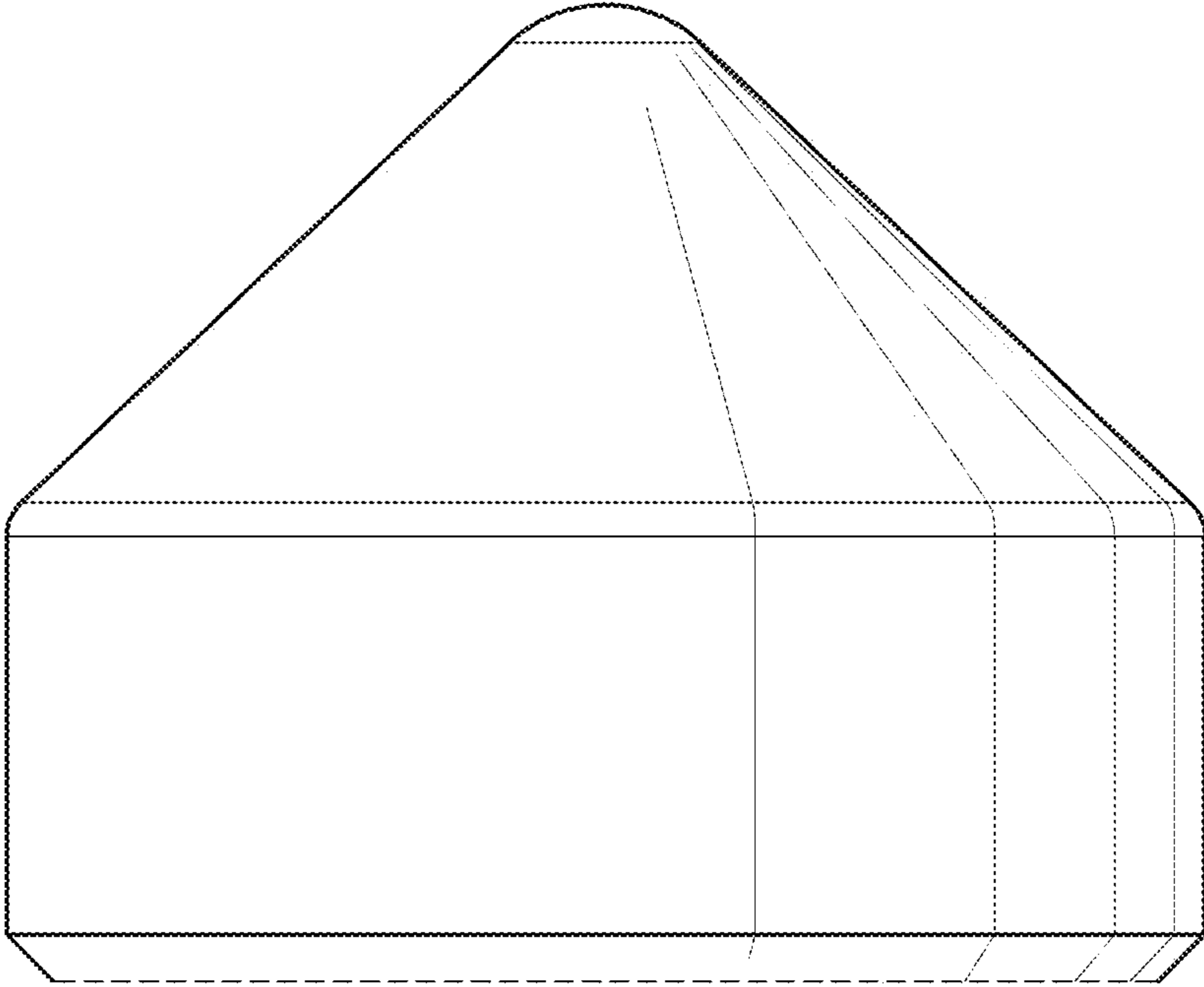
FIG. 1 is a top perspective view of an attachment for a facial treatment device, showing our new design;  
FIG. 2 is a front elevational view thereof, the rear, left and right elevational views being mirror images thereof;  
FIG. 3 is a top plan view thereof;  
FIG. 4 is a bottom plan view thereof; and,  
FIG. 5 is a bottom perspective view thereof.  
The broken lines shown in the figures are for the purpose of illustrating portions of the attachment for a facial treatment device that form no part of the claimed design.

**1 Claim, 3 Drawing Sheets**

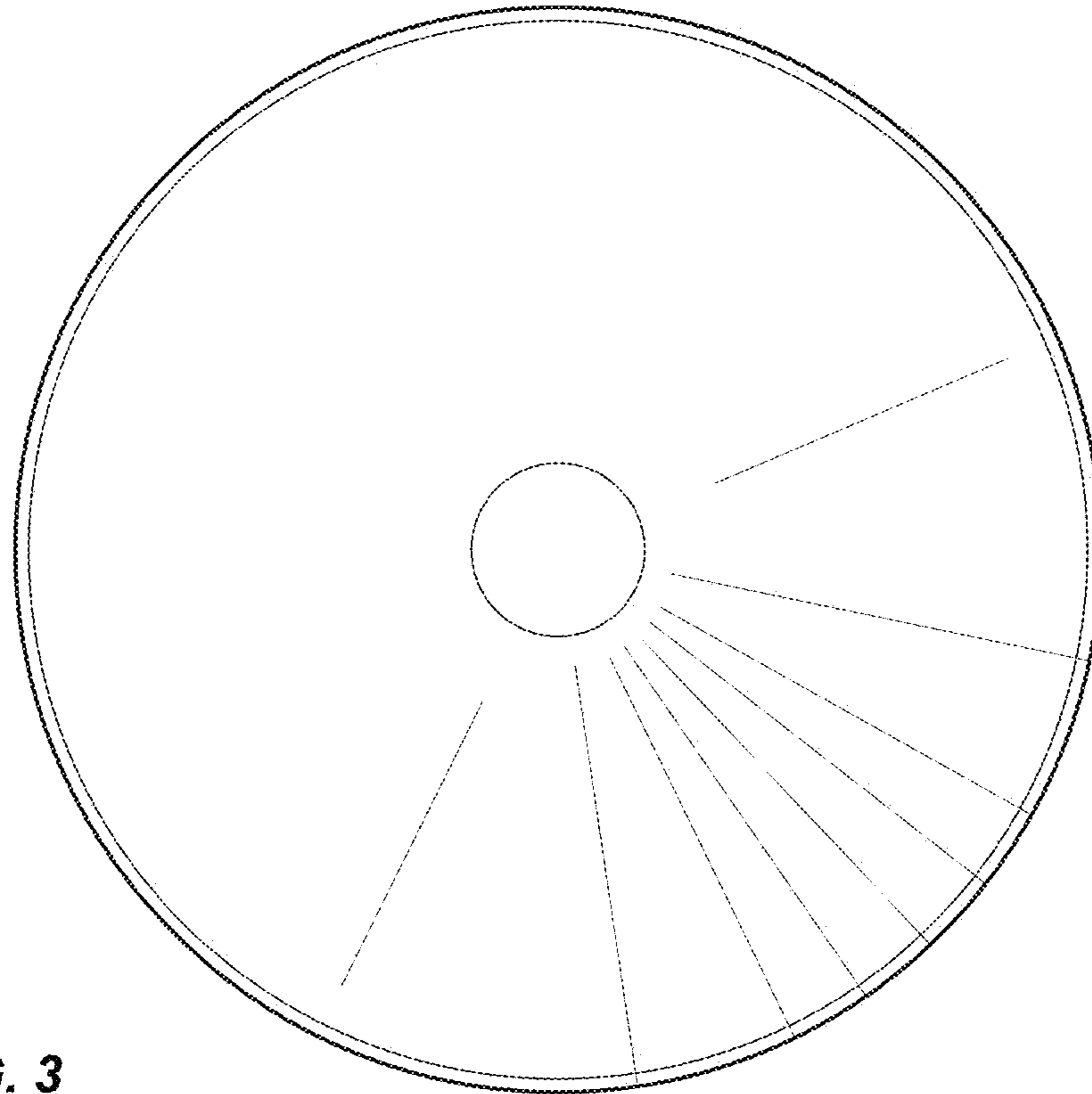




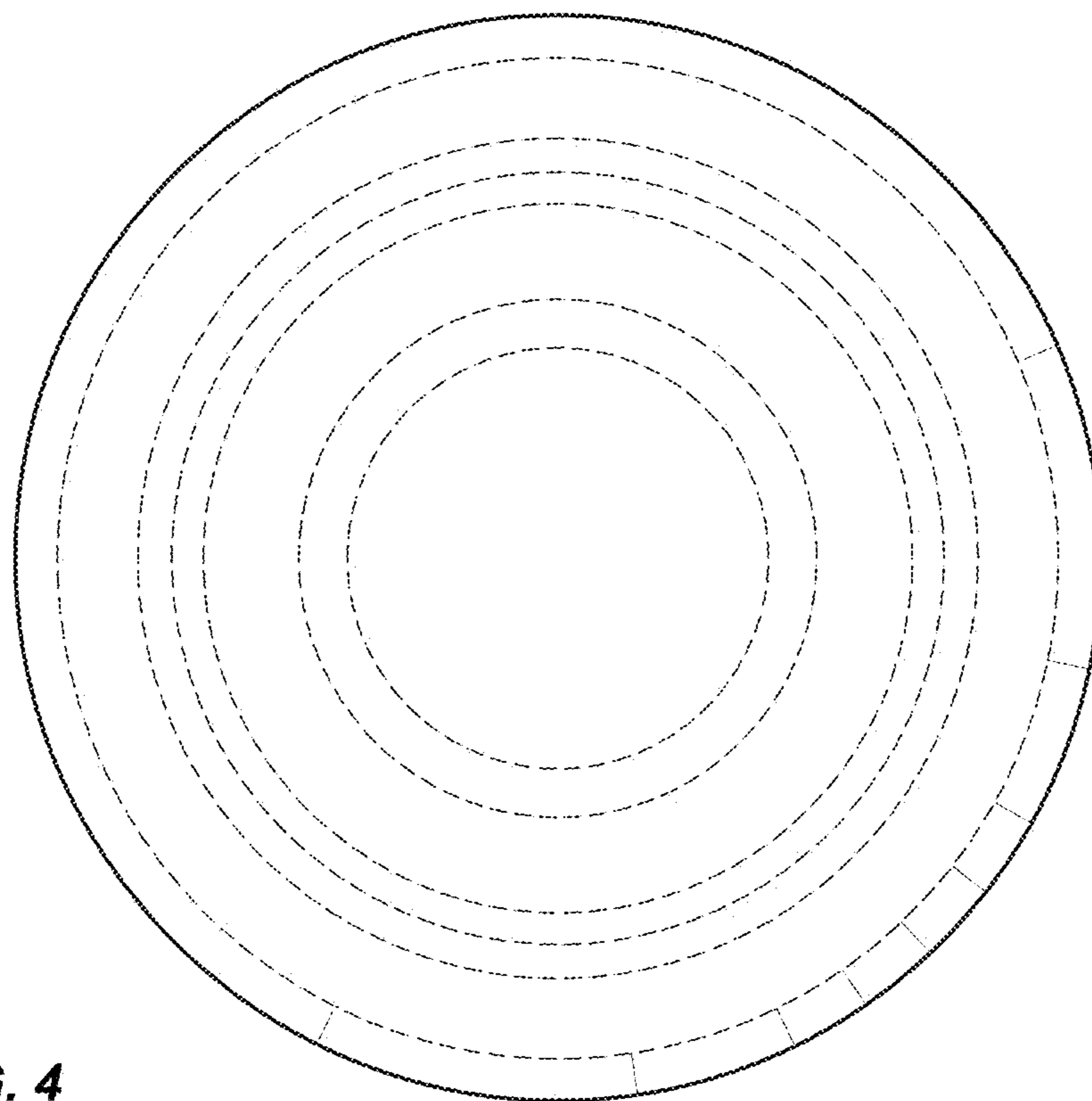
**FIG. 1**



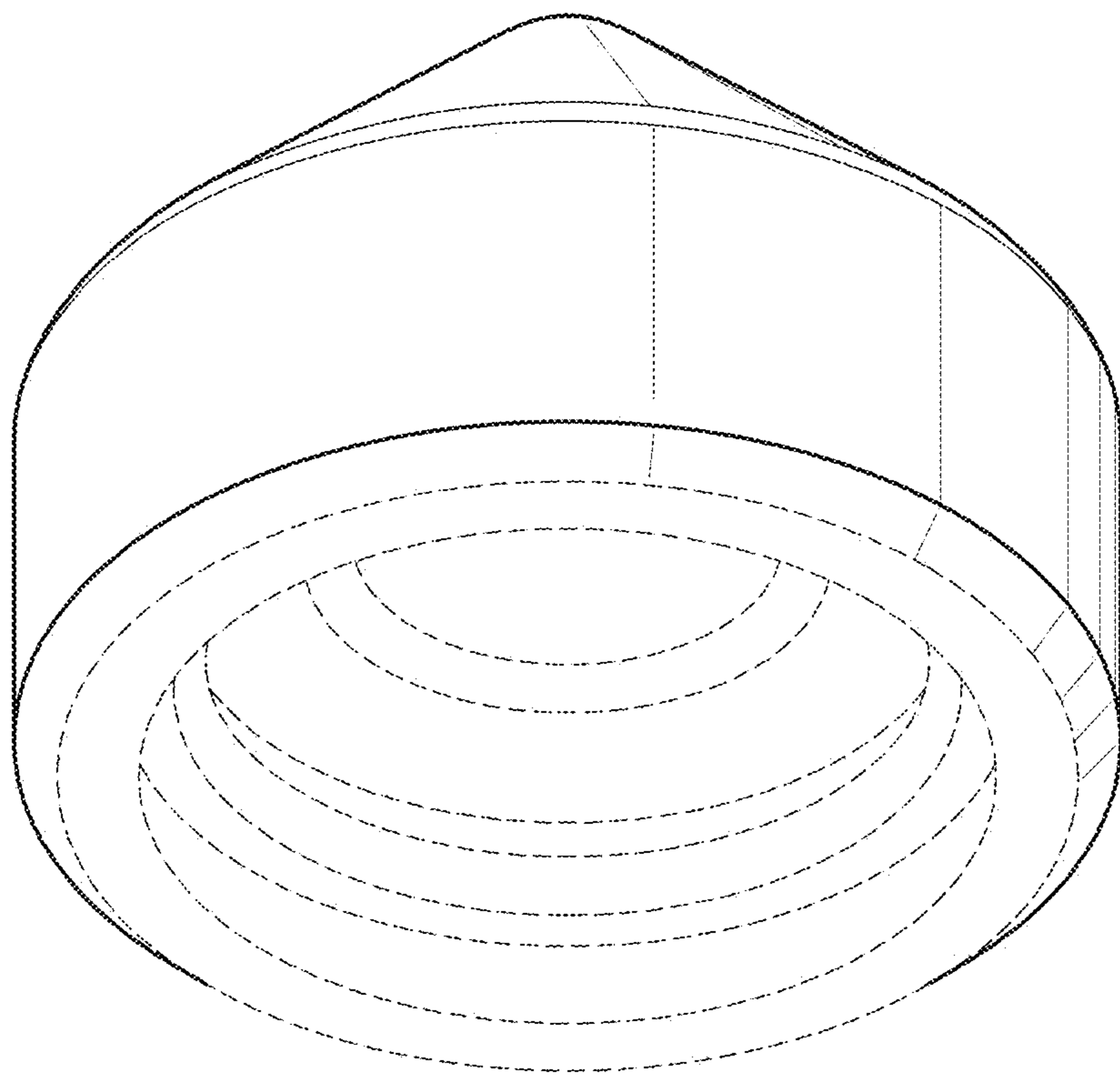
**FIG. 2**



**FIG. 3**



**FIG. 4**



**FIG. 5**