



US00D987094S

(12) **United States Design Patent** Emerson et al. (10) **Patent No.:** **US D987,094 S** (45) **Date of Patent:** **** May 23, 2023**

(54) **ORAL ILLUMINATION DEVICE**
(71) Applicant: **KNOW Bio, LLC**, Durham, NC (US)
(72) Inventors: **David T. Emerson**, Durham, NC (US); **James Michael Lay**, Apex, NC (US); **Michael John Bergmann**, Atlanta, GA (US); **Thomas Matthew Womble**, Wake Forest, NC (US)
(73) Assignee: **KNOW Bio, LLC**, Morrisville, NC (US)

D884,942 S 5/2020 Sharrah et al.
D908,160 S 1/2021 Sun
D908,890 S 1/2021 Demarest et al.
D909,594 S 2/2021 Kothari et al.
D933,839 S 10/2021 Ou
11,147,984 B2 10/2021 Emerson et al.
D940,312 S 1/2022 Heine et al.
D941,511 S 1/2022 Li
D944,989 S * 3/2022 Ishizuka D24/152
D952,171 S * 5/2022 Emerson D24/209
D952,876 S 5/2022 Emerson et al.

(Continued)

(**) Term: **15 Years**
(21) Appl. No.: **29/833,542**
(22) Filed: **Apr. 5, 2022**

OTHER PUBLICATIONS

Notice of Allowance for U.S. Appl. No. 29/757,911, dated Mar. 10, 2022, 17 pages.

(Continued)

Primary Examiner — Anhdao Doan
(74) *Attorney, Agent, or Firm* — Withrow & Terranova, P.L.L.C.

Related U.S. Application Data

(63) Continuation of application No. 29/780,830, filed on Apr. 27, 2021, now Pat. No. Des. 952,171.
(51) **LOC (14) Cl.** **28-03**
(52) **U.S. Cl.**
USPC **D24/209**; D24/152
(58) **Field of Classification Search**
USPC D24/200, 209, 210, 215, 133, 137, 152, D24/176; D26/37
CPC A61N 5/0603; A61N 5/0624; A61N 2005/0606; A61N 2005/0644; A61N 2005/0659; A61N 2005/0662
See application file for complete search history.

(57) **CLAIM**

The ornamental design for an oral illumination device, as shown and described.

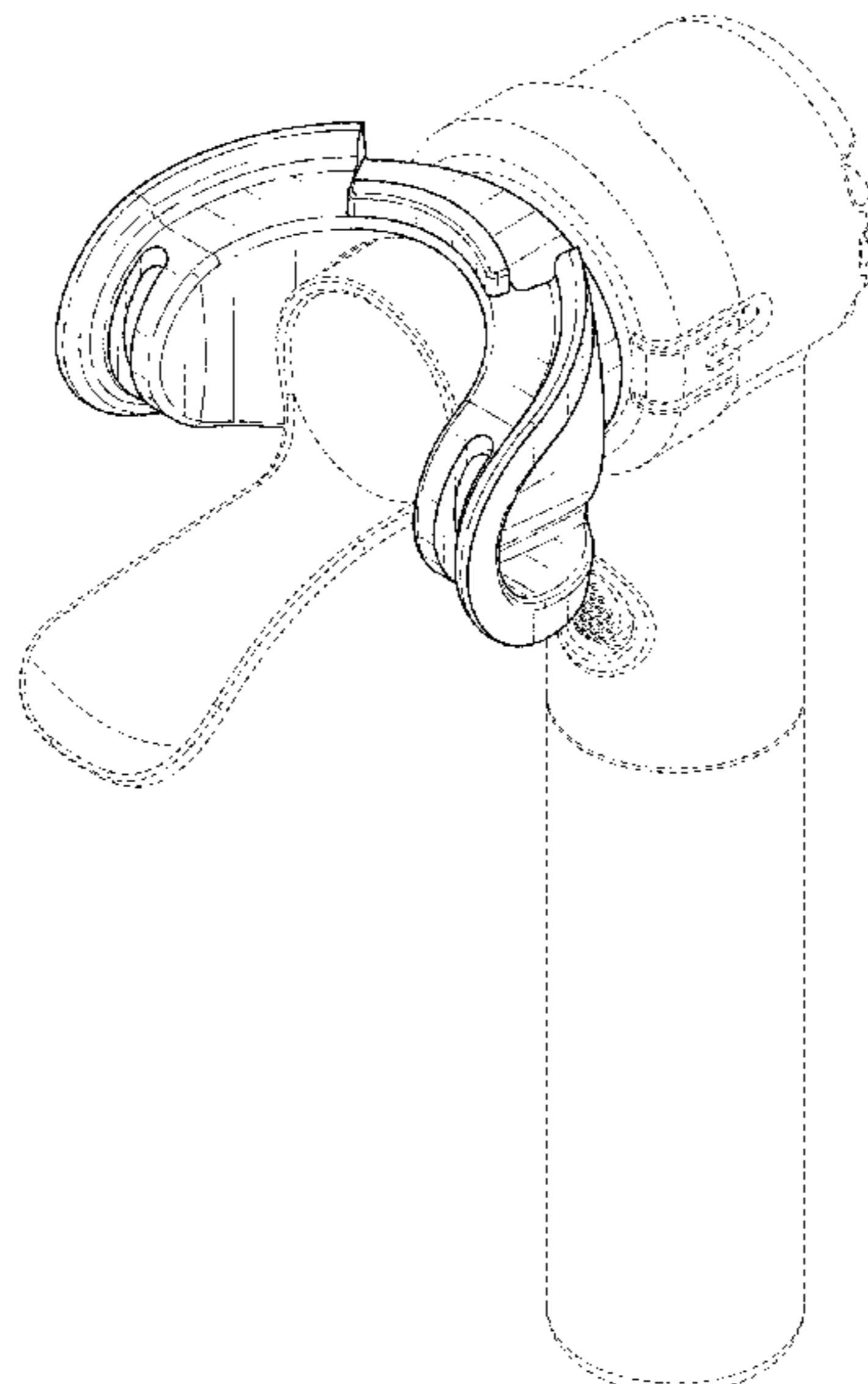
DESCRIPTION

FIG. 1 is a front perspective view of an oral illumination device;
FIG. 2 is a front view thereof;
FIG. 3 is a back view thereof;
FIG. 4 is a side view thereof;
FIG. 5 is an opposing side view thereof;
FIG. 6 is a top view thereof;
FIG. 7 is a bottom view thereof; and,
FIG. 8 is a back perspective view thereof.
The broken lines shown in the drawings depict portions of the oral illumination device that form no part of the claimed design.

(56) **References Cited**
U.S. PATENT DOCUMENTS

D495,799 S 9/2004 Hirsch et al.
D597,206 S 7/2009 Collins, Jr. et al.
D609,361 S 2/2010 McGarry et al.
D692,135 S 10/2013 McHale et al.
D864,401 S 10/2019 Valdivia Tor
D884,202 S 5/2020 Goodson et al.

1 Claim, 8 Drawing Sheets



(56)

References Cited

U.S. PATENT DOCUMENTS

11,376,444 B1 * 7/2022 Kothari A61N 5/0603
11,517,762 B2 * 12/2022 Demarest A61N 5/0603
2008/0294227 A1 11/2008 Perez
2018/0256916 A1 9/2018 Kothari et al.
2021/0290975 A1 9/2021 Hunter et al.

OTHER PUBLICATIONS

Notice of Allowance for U.S. Appl. No. 29/780,830, dated Mar. 10, 2022, 33 pages.

* cited by examiner

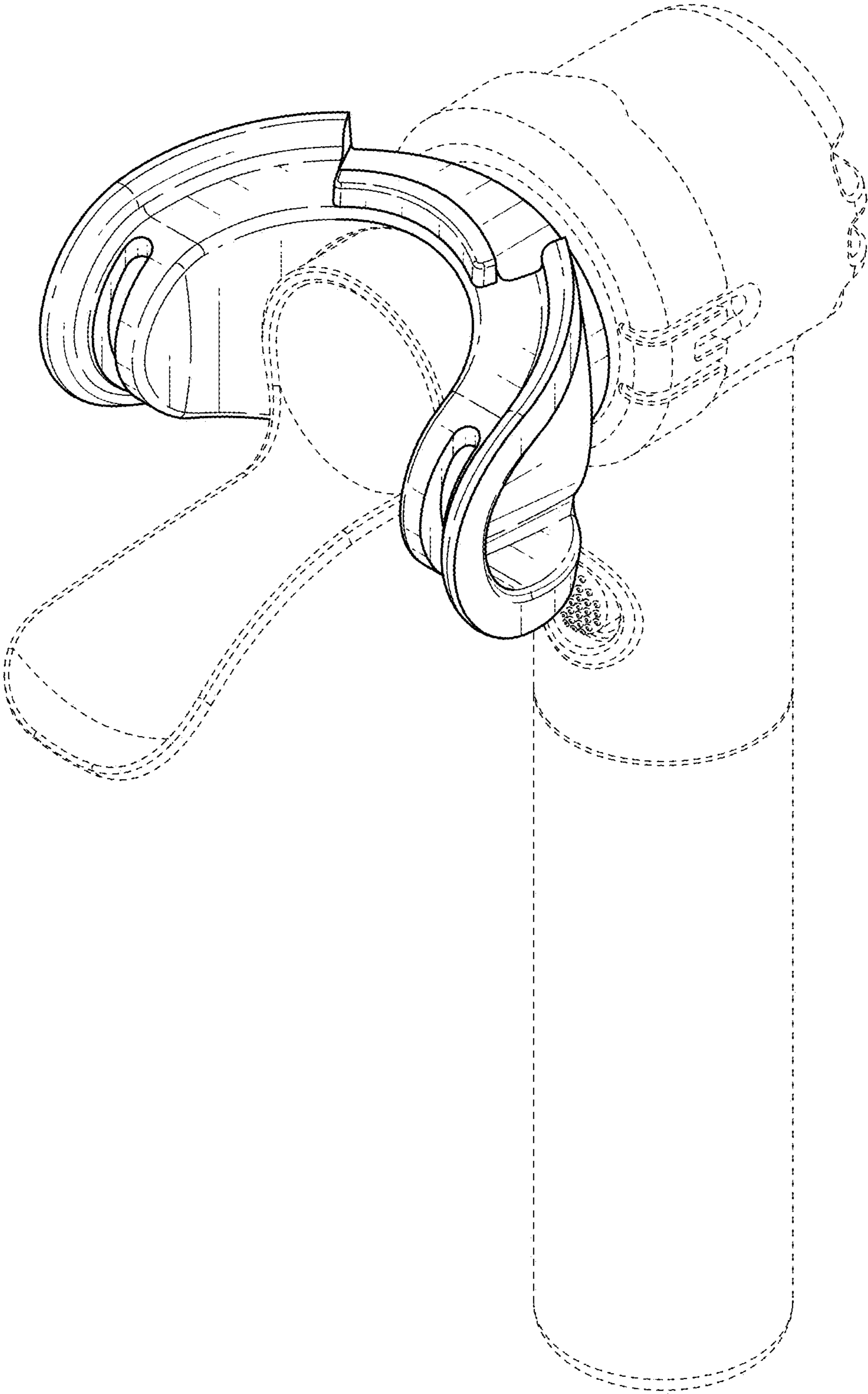


FIG. 1

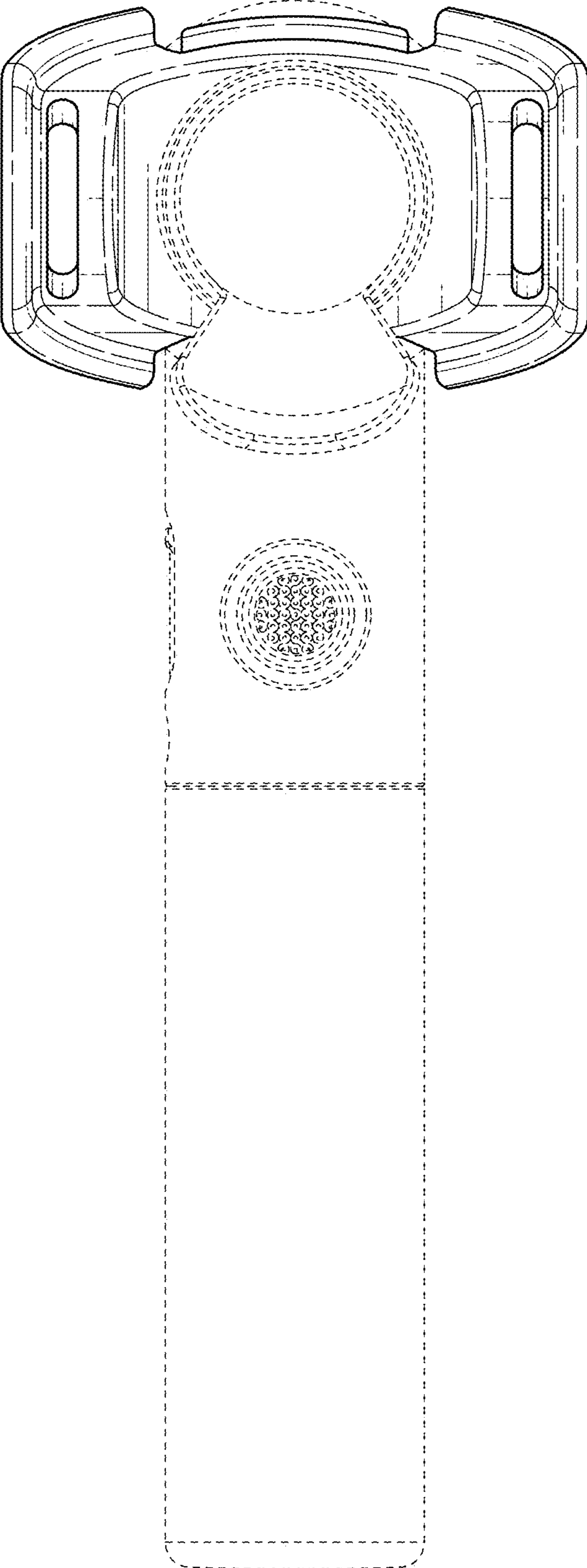


FIG. 2

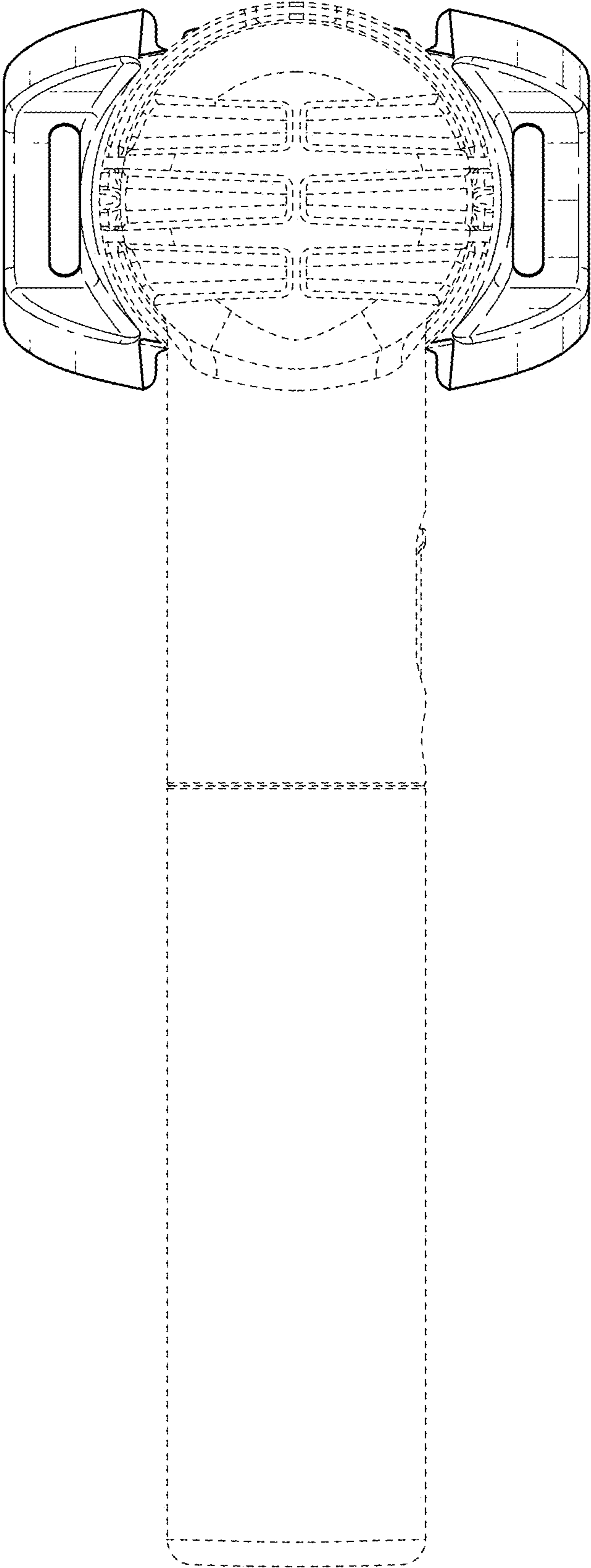


FIG. 3

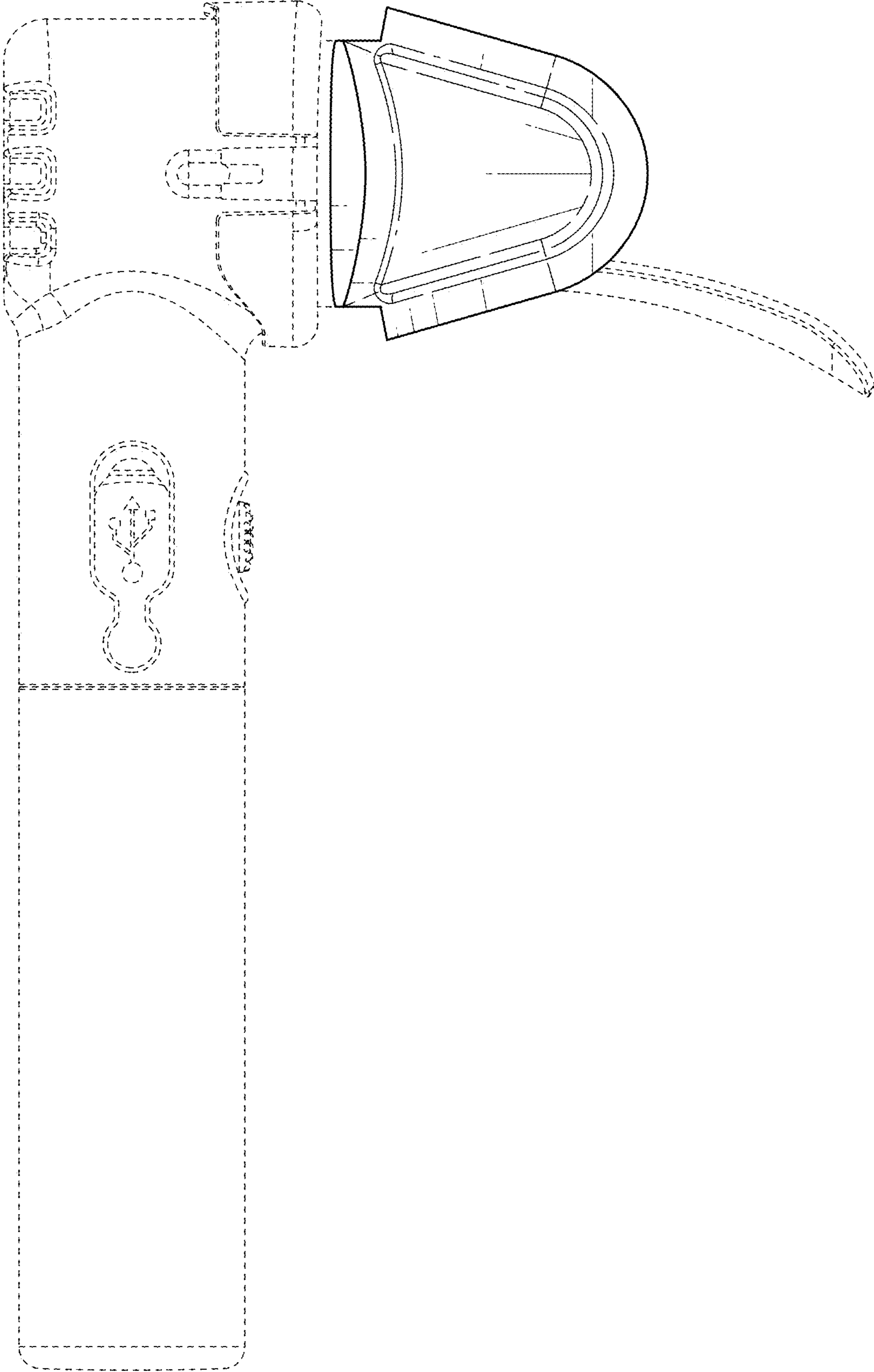


FIG. 4

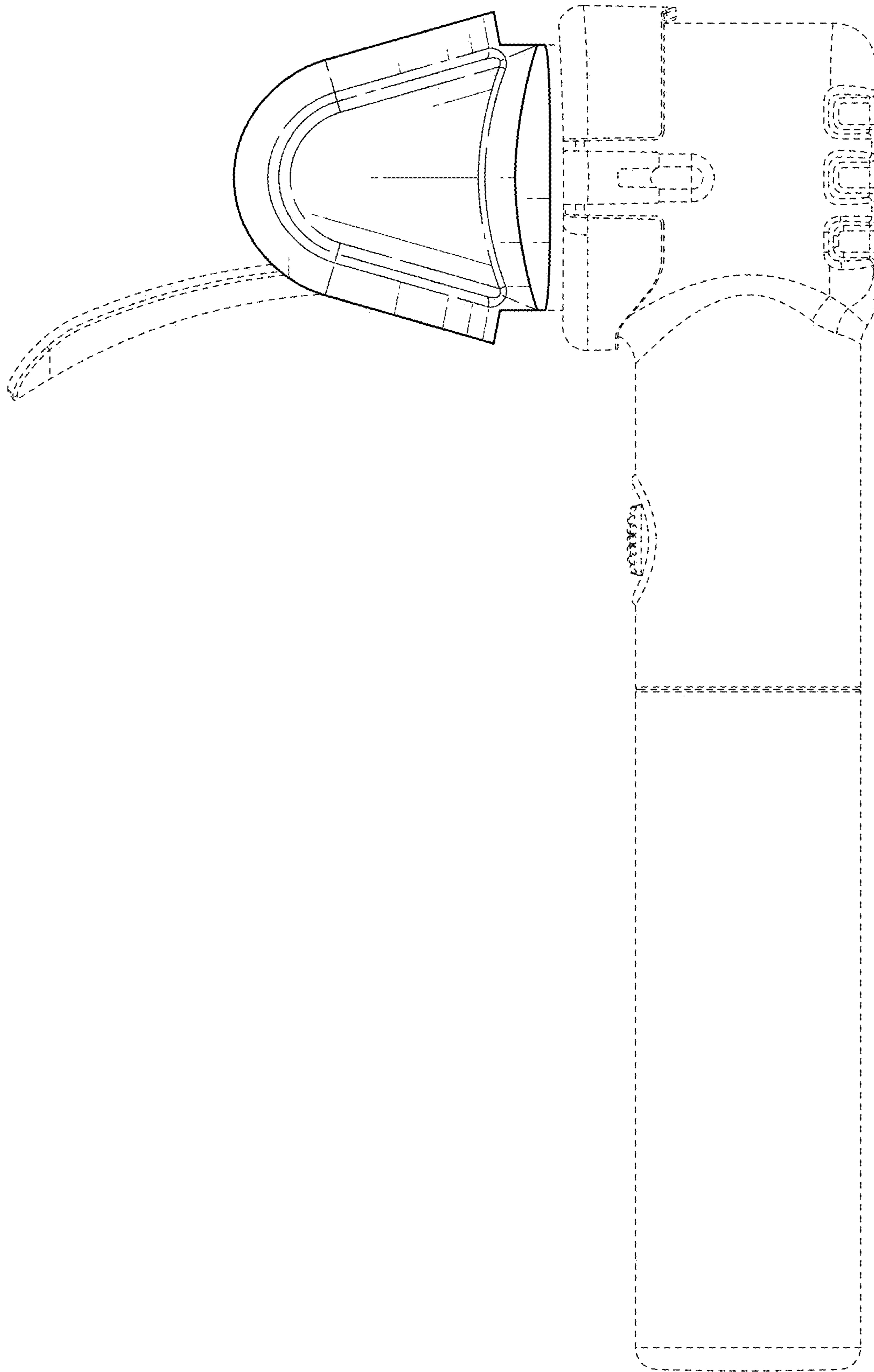


FIG. 5

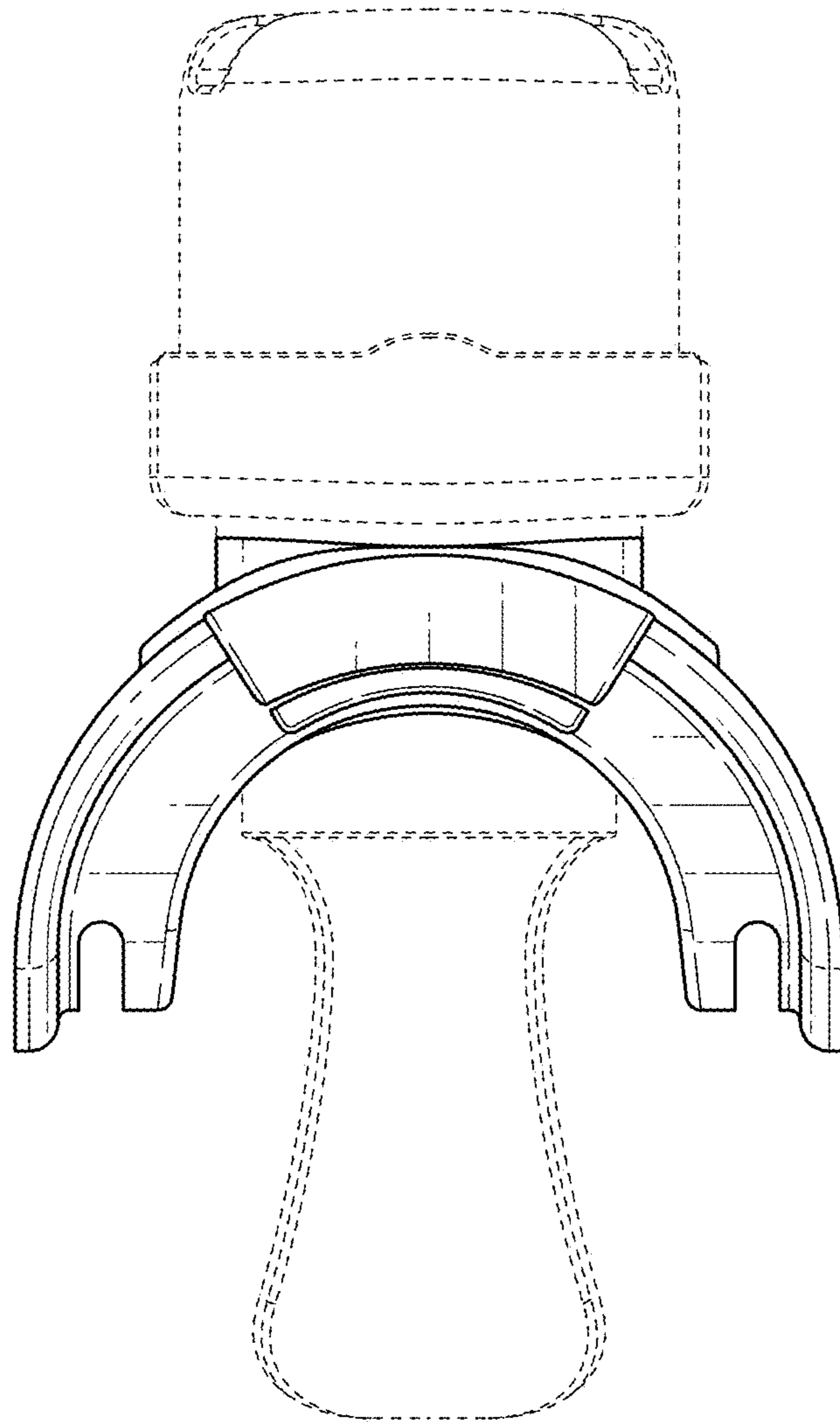


FIG. 6

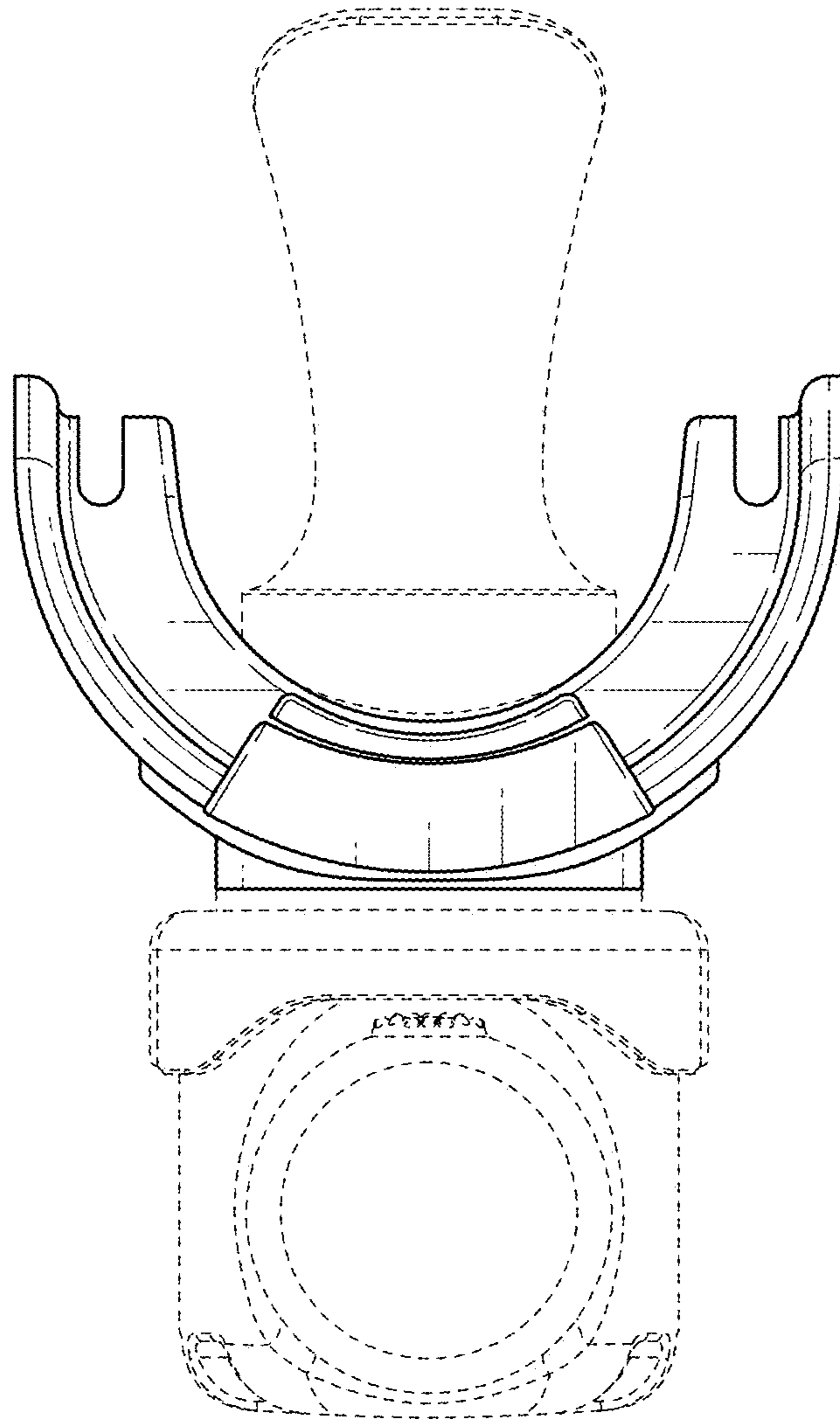


FIG. 7

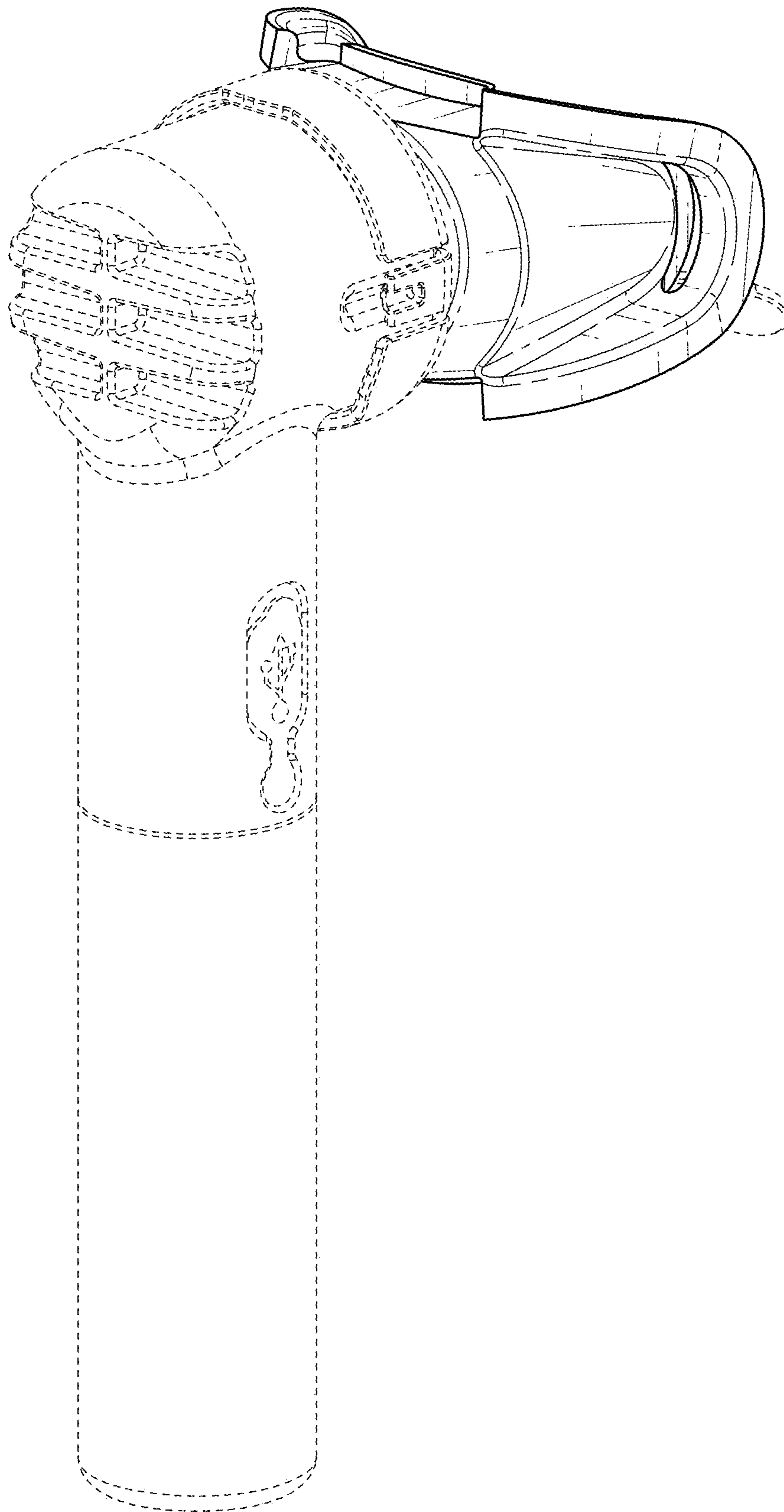


FIG. 8