



US00D987092S

(12) **United States Design Patent** (10) **Patent No.:** **US D987,092 S**  
**Wersland et al.** (45) **Date of Patent:** **\*\* May 23, 2023**

(54) **VIBRATION MASSAGE DEVICE**

(56) **References Cited**

(71) Applicant: **Therabody, Inc.**, Los Angeles, CA (US)  
(72) Inventors: **Jason Wersland**, Los Angeles, CA (US); **Benjamin Nazarian**, Los Angeles, CA (US); **Jaime Sanchez Solana**, Los Angeles, CA (US); **Eduardo Merino**, Los Angeles, CA (US); **Trent Hernandez**, Los Angeles, CA (US)

U.S. PATENT DOCUMENTS

D696,411 S 12/2013 Imboden et al.  
D727,523 S 4/2015 Qian  
D810,680 S 2/2018 Carreon et al.  
D812,237 S 3/2018 Cole et al.  
D879,986 S 3/2020 Wersland et al.  
D882,105 S 4/2020 Lee et al.  
D927,719 S 8/2021 Meissner et al.  
D932,040 S 9/2021 Sedic  
11,160,723 B2 11/2021 Wersland et al.

(Continued)

(73) Assignee: **Therabody, Inc.**, Los Angeles, CA (US)

OTHER PUBLICATIONS

Theragun Mini—All-New 4th Generation Portable Muscle Treatment Massage Gun by TheraGun. Amazon. <https://www.amazon.com/Theragun-Mini-Generaton-Portable-Treatment/dp/B086Z6LNVS> (Oldest review date: Jun. 1, 2020).

(\*\*) Term: **15 Years**  
(21) Appl. No.: **29/868,265**  
(22) Filed: **Nov. 28, 2022**

*Primary Examiner* — Daniel J Domino

*Assistant Examiner* — Lee D. Starr

(74) *Attorney, Agent, or Firm* — Sterne, Kessler, Goldstein & Fox P.L.L.C.

**Related U.S. Application Data**

(60) Continuation of application No. 29/837,649, filed on May 6, 2022, now Pat. No. Des. 972,743, which is a division of application No. 29/708,815, filed on Oct. 9, 2019, now Pat. No. Des. 951,470.

(51) **LOC (14) Cl.** ..... **24-01**

(52) **U.S. Cl.**  
USPC ..... **D24/215**  
CPC ... **A61H 23/006** (2013.01); **A61H 2201/0107** (2013.01); **A61H 2201/0165** (2013.01); **A61H 2201/1669** (2013.01)

(58) **Field of Classification Search**  
USPC ..... D24/200, 133, 186, 187, 206, 209–211, D24/214, 215, 165–168; D8/107, D8/310–312  
CPC .... A61H 2201/0153; A61H 2201/0157; A61H 2201/1253; A61H 23/00; A61H 23/004; A61H 23/006; A61H 23/02; A61H 23/04; A61H 1/008

See application file for complete search history.

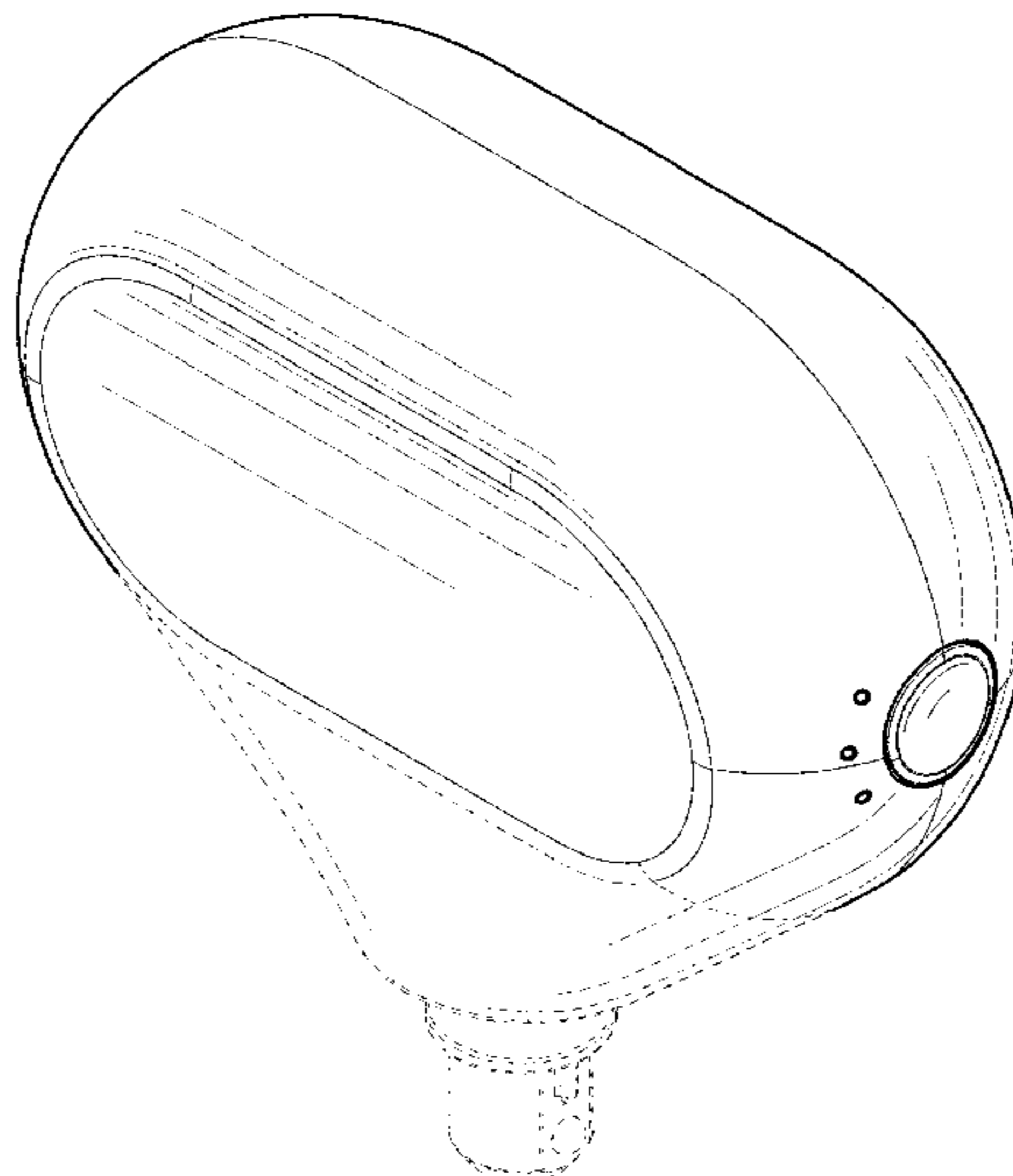
(57) **CLAIM**

The ornamental design for a vibration massage device, as shown and described.

**DESCRIPTION**

FIG. 1 is a perspective view of a vibration massage device showing the claimed design;  
FIG. 2 is a front elevational view;  
FIG. 3 is a rear elevational view thereof;  
FIG. 4 is a right side elevational view thereof;  
FIG. 5 is a left side elevational view thereof;  
FIG. 6 is a top plan view thereof; and,  
FIG. 7 is a bottom plan view thereof.  
The broken lines in the figures show portions of the vibration massage device that form no part of the claimed design.

**1 Claim, 5 Drawing Sheets**



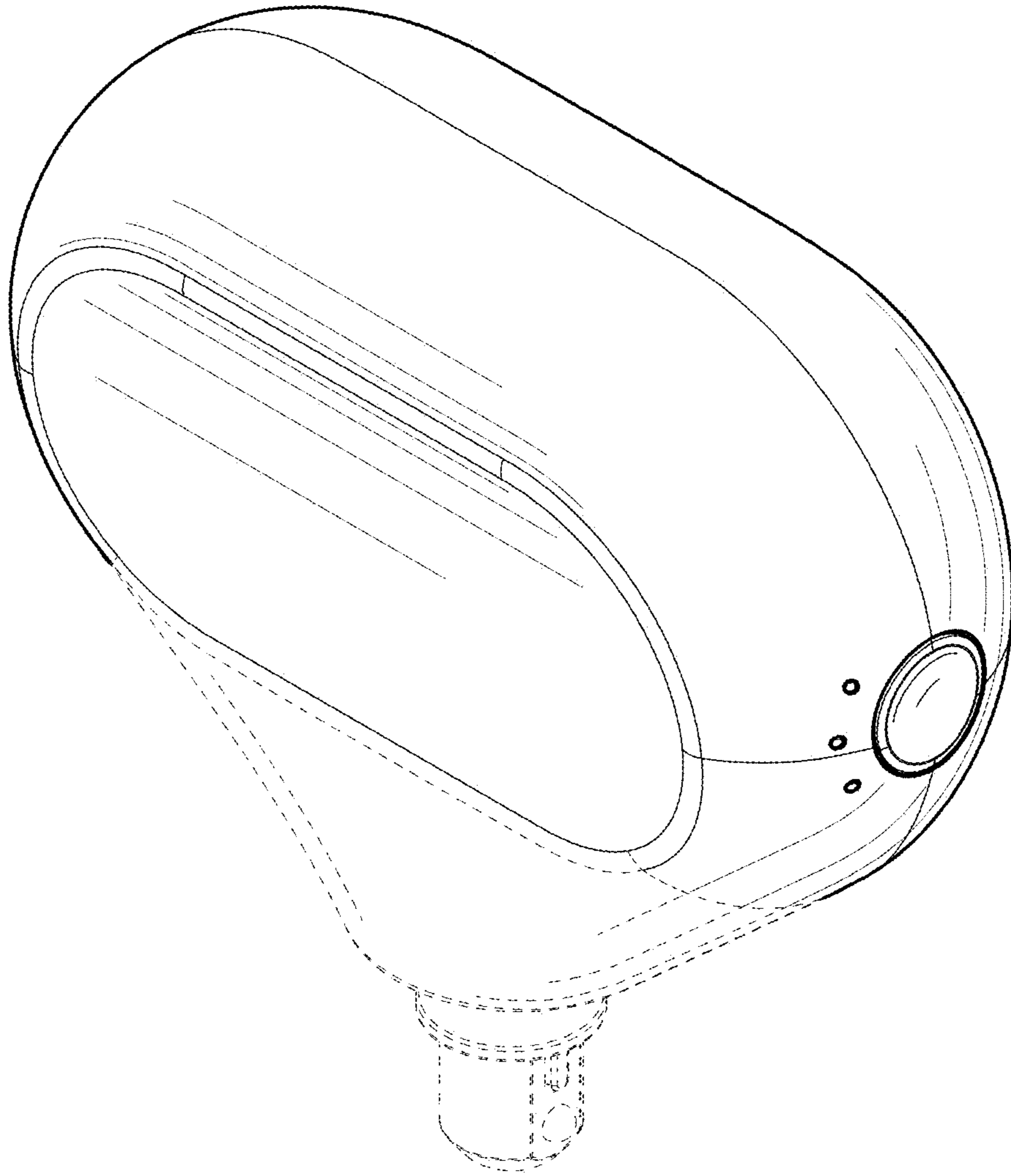
(56)

**References Cited**

U.S. PATENT DOCUMENTS

D951,470	S	5/2022	Wersland et al.	
D959,007	S *	7/2022	Luo .....	D24/214
D963,878	S *	9/2022	Li .....	D24/215
D967,975	S *	10/2022	Wersland .....	D24/215
2013/0074307	A1	3/2013	Silva et al.	
2013/0085556	A1	4/2013	Gillespie et al.	
2020/0352821	A1	11/2020	Wersland et al.	
2022/0047451	A1	2/2022	Wersland et al.	
2022/0296463	A1 *	9/2022	Wersland .....	A61H 23/006

\* cited by examiner



**FIG. 1**

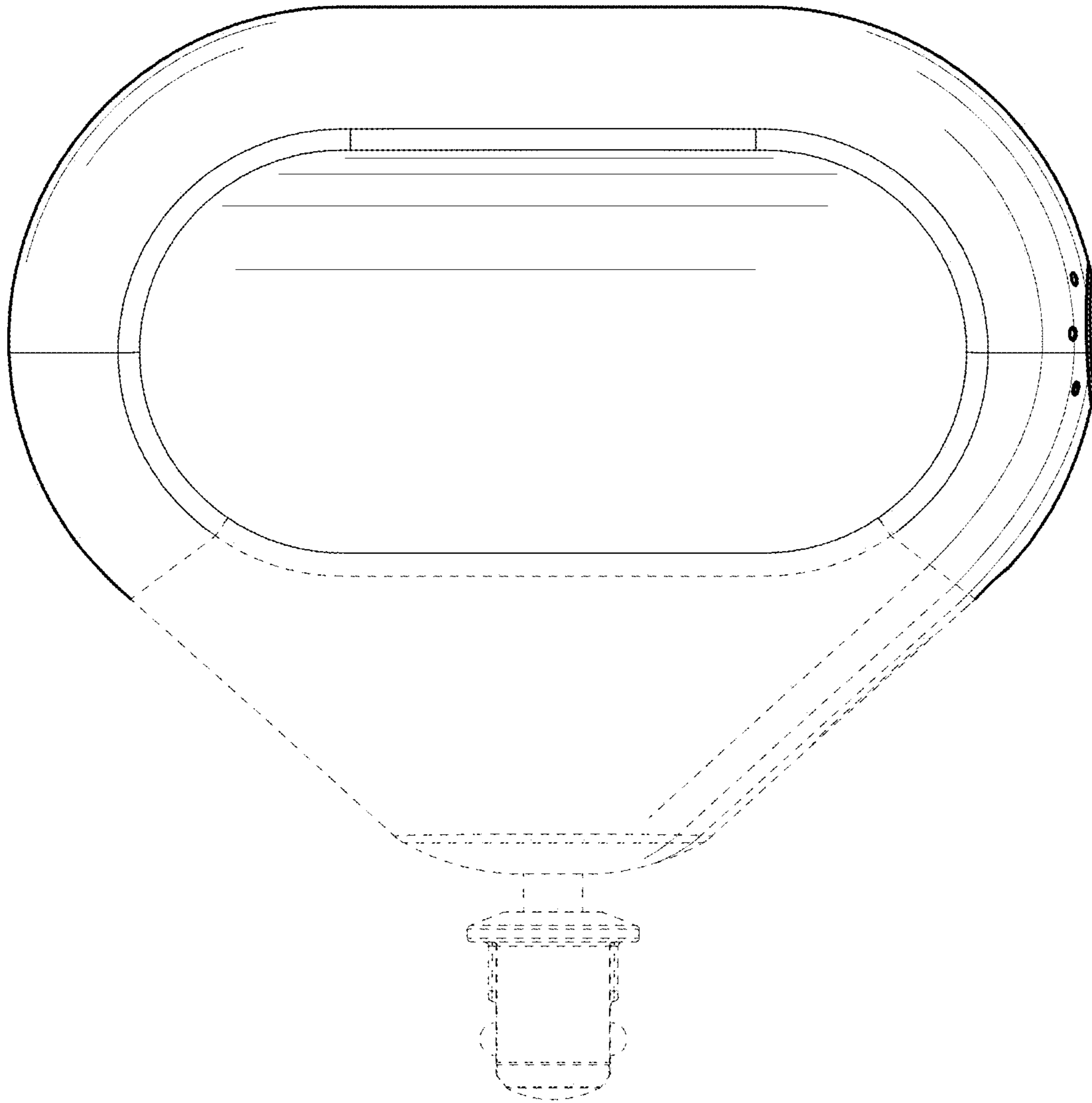


FIG. 2

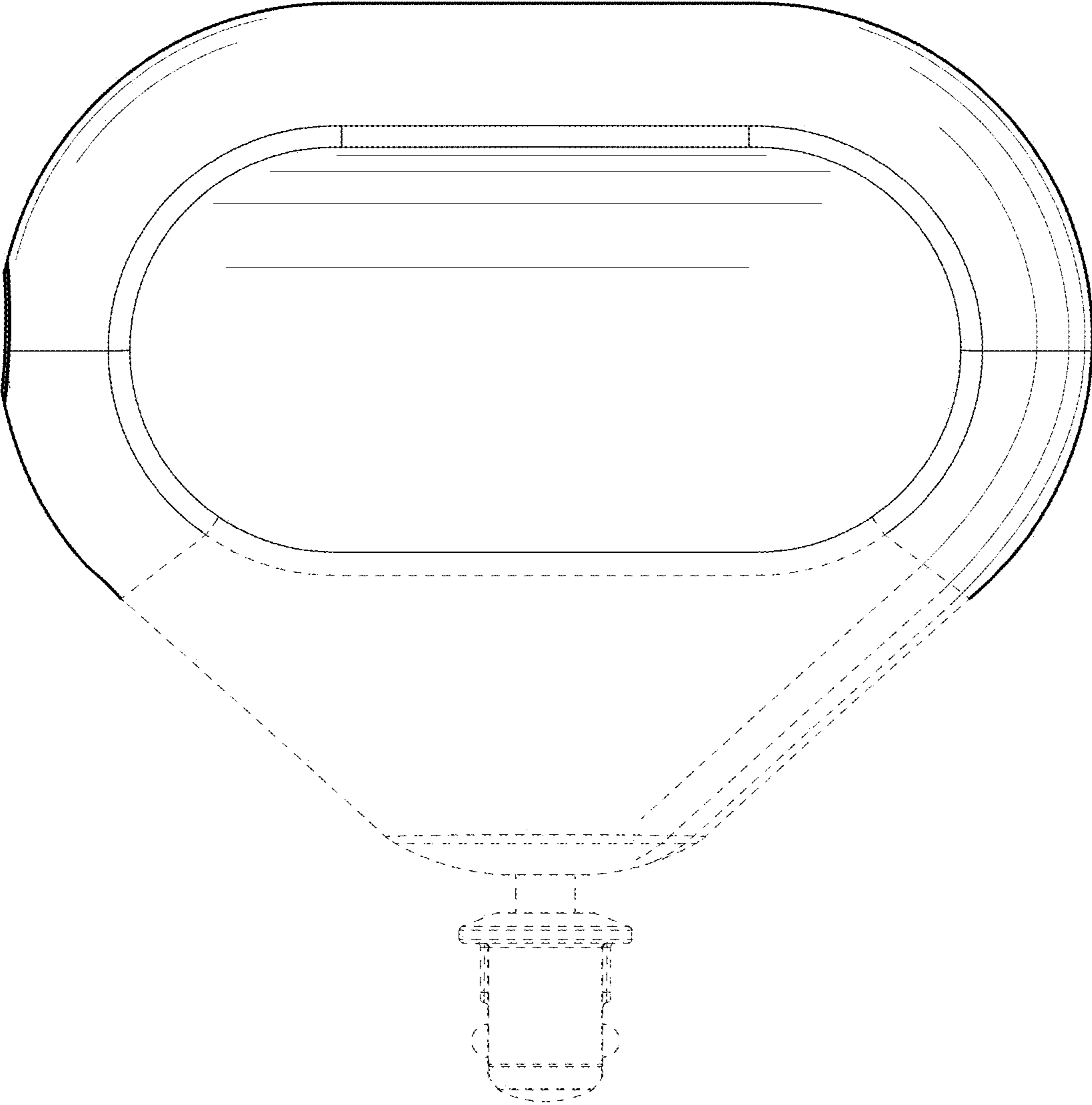


FIG. 3

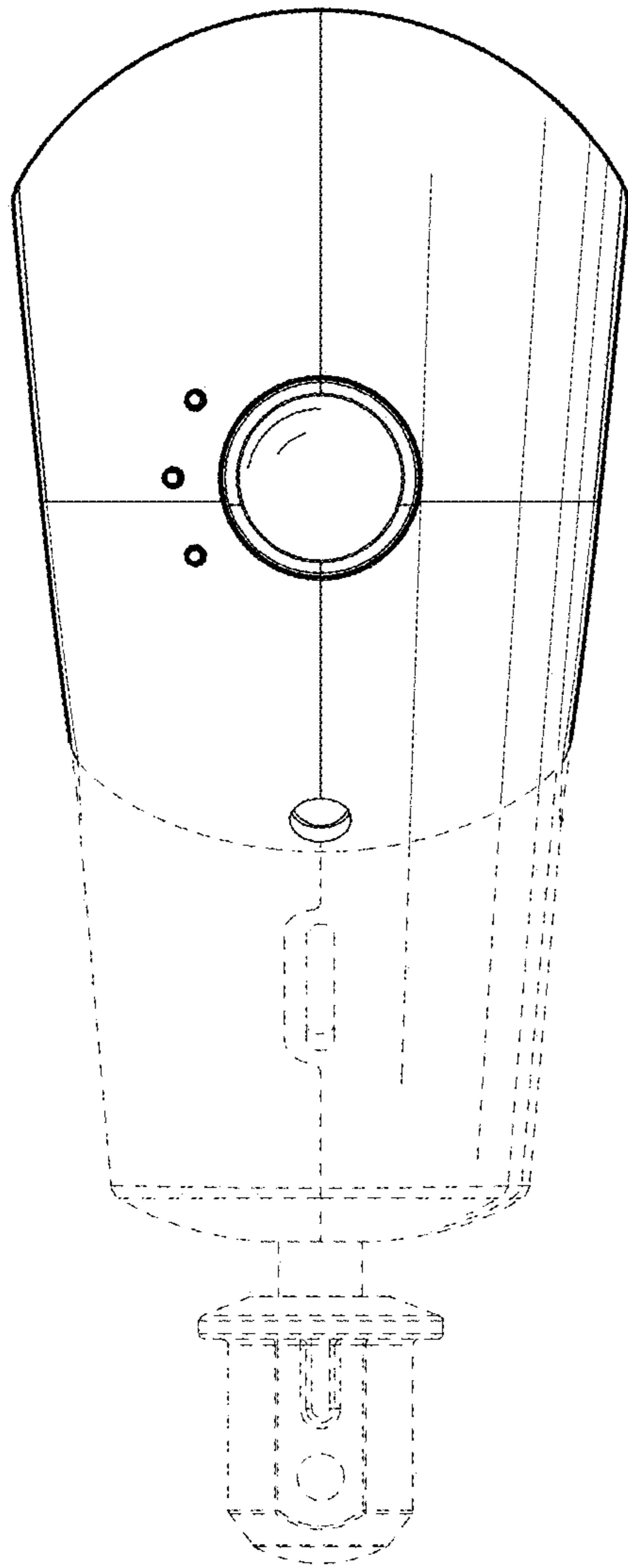


FIG. 4

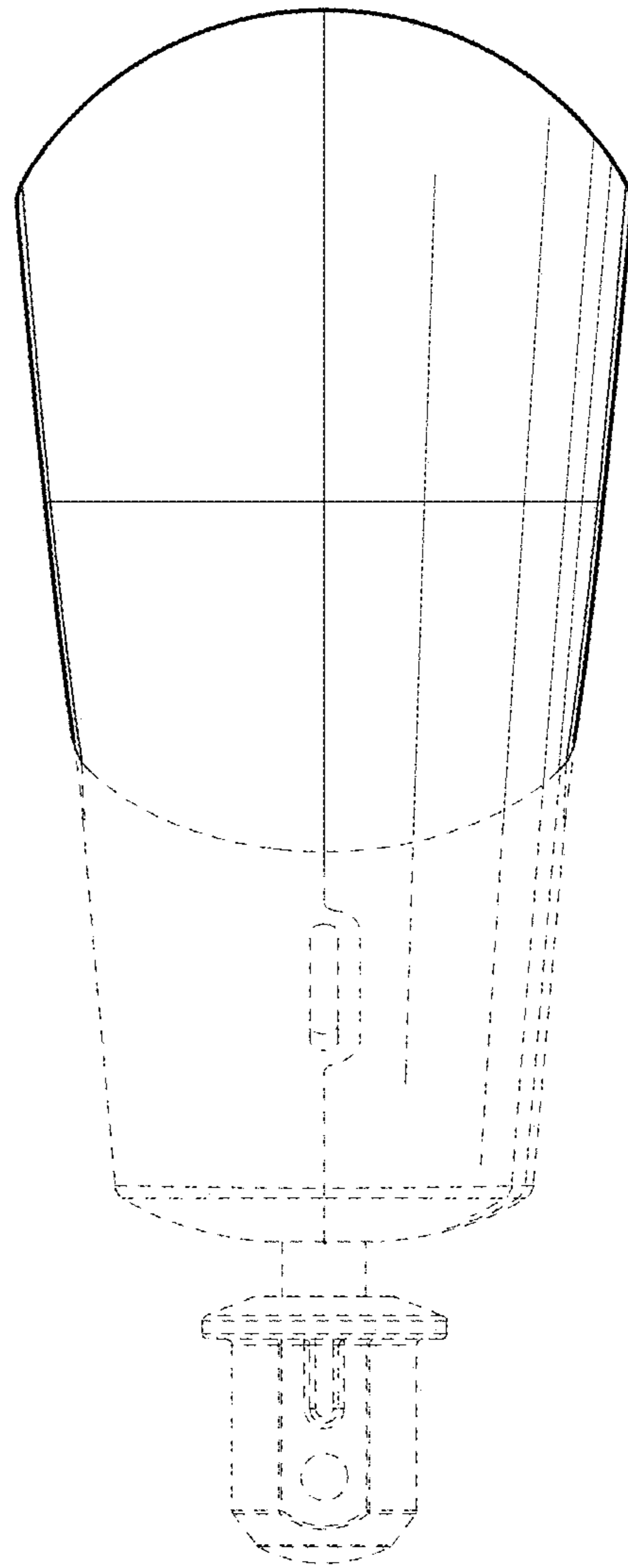


FIG. 5

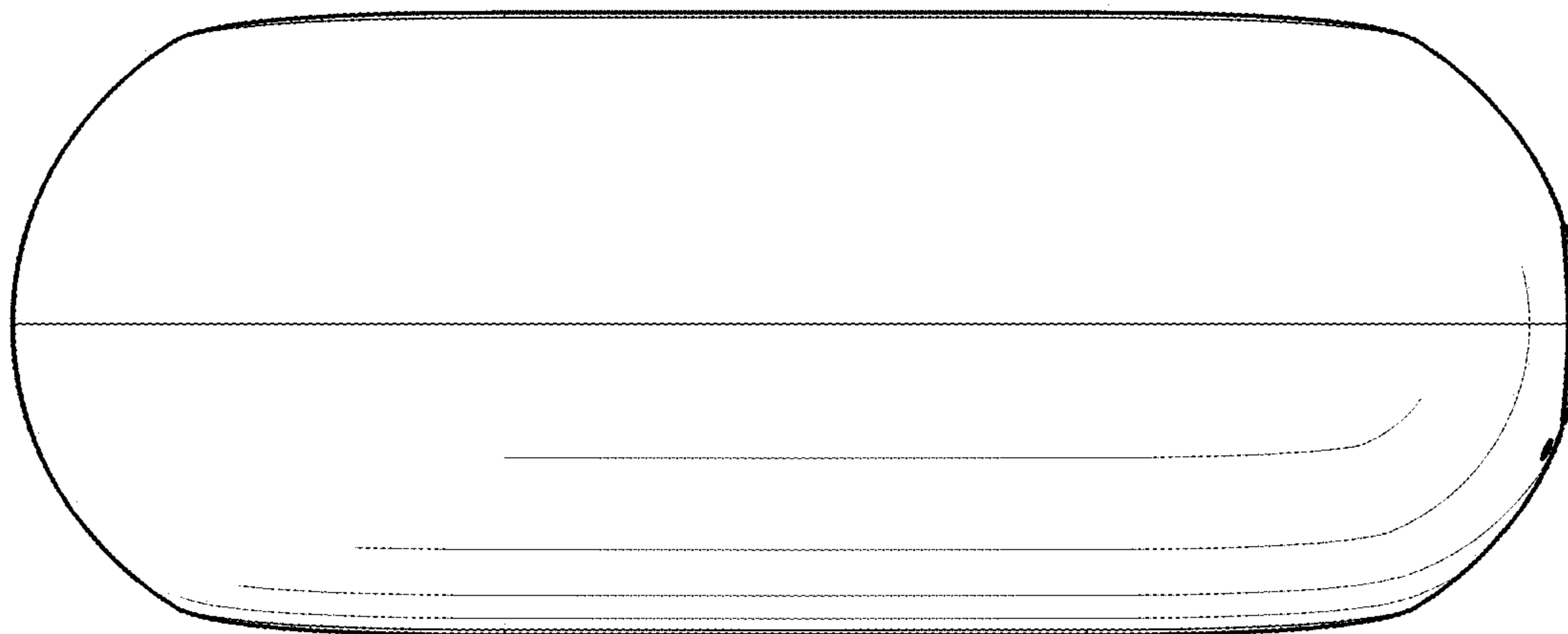


FIG. 6

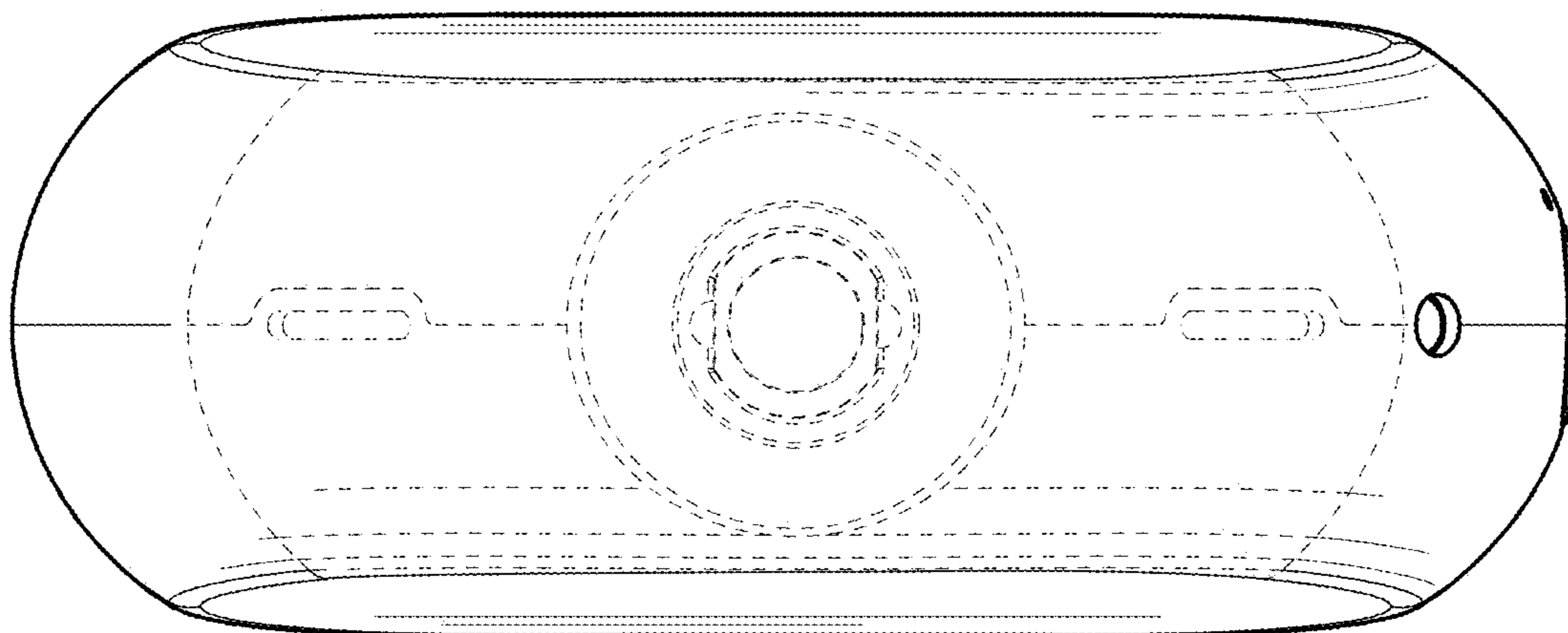


FIG. 7