



US00D987091S

(12) **United States Design Patent**
Misiolek

(10) **Patent No.:** **US D987,091 S**

(45) **Date of Patent:** **** May 23, 2023**

(54) **WAX MELTING POT**

(71) Applicant: **Michael Misiolek**, Hopewell, NJ (US)

(72) Inventor: **Michael Misiolek**, Hopewell, NJ (US)

(**) Term: **15 Years**

(21) Appl. No.: **29/864,044**

(22) Filed: **May 6, 2022**

(51) **LOC (14) Cl.** **24-01**

(52) **U.S. Cl.**

USPC **D24/200; D28/44.1**

(58) **Field of Classification Search**

USPC D24/200, 204; D28/44, 44.1

CPC A61F 7/007; A61F 7/0085; A61F
2007/0001; A61F 2007/0004; A61F
2007/0015; A61F 2007/0024; A61F
2007/0029; A61F 2007/0039; A61F
2007/0041; A61F 2007/0043; A61F
2007/0219; H05B 3/00; H05B 3/0052;
H05B 3/26; A45D 2200/155; A45D
26/0014; A45D 2026/008

See application file for complete search history.

(56) **References Cited**

U.S. PATENT DOCUMENTS

D253,388 S	11/1979	Boldt et al.	
4,534,485 A	8/1985	Subramanian	
D285,644 S	9/1986	Kitakaze et al.	
D442,284 S *	5/2001	Ferber	D24/200
6,756,567 B1 *	6/2004	Suen	F27B 17/00 219/439
D838,859 S	1/2019	Yu	
10,238,200 B2 *	3/2019	Bartlett	H05B 3/10
D857,215 S	8/2019	Lin	
D876,655 S	2/2020	Lin	
D914,224 S *	3/2021	Wang	D24/200
D917,710 S *	4/2021	Li	D24/200
D933,294 S	10/2021	Deng	

D942,077 S *	1/2022	Wei	D28/44.1
D947,397 S *	3/2022	Deng	D28/44.1
D967,216 S *	10/2022	Ouyang	D15/144.1

OTHER PUBLICATIONS

Electric Wax Melter for Candle Making, Soy Wax Melting Pot Holds 6Qts (11 Lbs) of Melted Wax, Pouring Pot with Quck-Pour Valve. Retrieved on Nov. 21, 2022. Retrieved from the Internet: https://www.amazon.com/Electric-Melter-Melting-Pouring-Quick-Pour/dp/B09NVMTKMV/ref=asc_df_B09NVMTKMV?tag=bingshoppinga-20&linkCode=df0&hvadid=80401914378021&hvnetw=o&hvqmt=e&hvbmt=be&hvdev=c&hvlocint=&hvlocphy=&hvtargid=pla-4584001434948384&pvc=1. Date First Available Dec. 20, 2021.*

(Continued)

Primary Examiner — Wan Laymon

(74) *Attorney, Agent, or Firm* — Dunlap Bennett & Ludwig, PLLC; Anna L. Kinney

(57) **CLAIM**

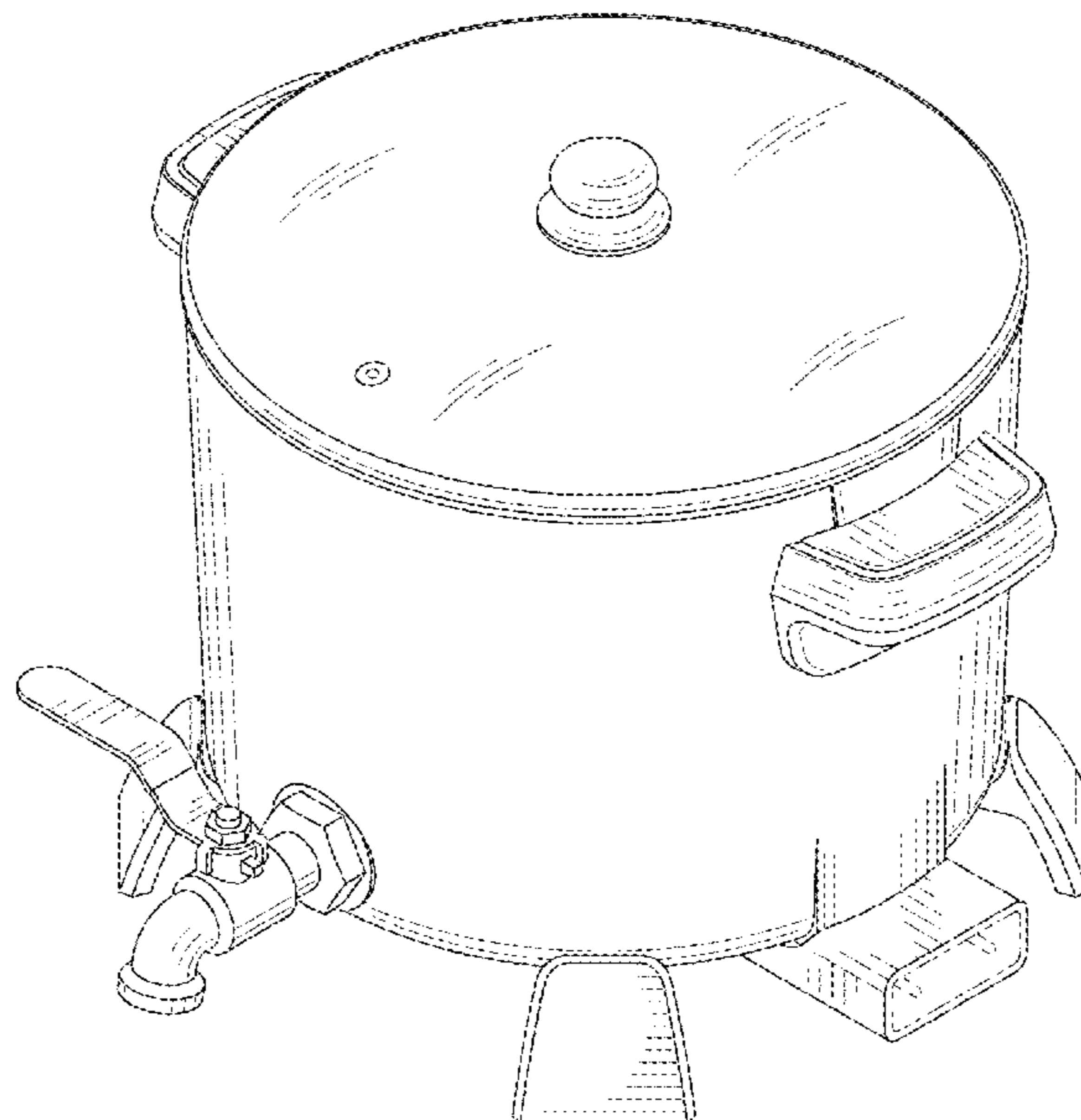
The ornamental design for a wax melting pot, as shown and described.

DESCRIPTION

FIG. 1 is a top front perspective view of a wax melting pot showing my new design;
FIG. 2 is a bottom front perspective view thereof;
FIG. 3 is a top plan view thereof;
FIG. 4 is a bottom plan view thereof;
FIG. 5 is a front elevation view thereof;
FIG. 6 is a rear elevation view thereof;
FIG. 7 is a right elevation view thereof; and,
FIG. 8 is a left elevation view thereof.

The evenly dashed broken lines in the drawings depict portions of the wax melting pot that form no part of the claimed design. The long-short-long broken lines indicate boundaries around portions of the wax melting pot that form no part of the claimed design.

1 Claim, 4 Drawing Sheets



(56)

References Cited

OTHER PUBLICATIONS

Wax Melter for Candle Making, Holds Approximately 7 Qts Or 14 Lbs of Melted Wax, Wax Melter Has Easy Pour Valve, by SoyLite Candles. Retrieved on Nov. 21, 2022. Retrieved from the Internet: <https://www.amazon.com/Melter-Soy-Candle-Making-Paraffin/dp/B073R6CT7P>. Date First Available Jul. 5, 2017.*

Large Wax Melter For Candle Making 60% bigger Than Other Wax Melters for soy, Paraffin, and Bee's Wax Candle Making. Retrieved on Nov. 21, 2022. Retrieved from the Internet: <https://www.soylitecandlesupplies.com/products/large-wax-melter>. Date Dec. 16, 2017.*

Wax Melter For Candle Making, Holds 7Qts of Melted Wax, Our Wax Melter Will Make This Easy, Simple To Use, Wax Melter Will Melt All Waxes. Retrieved on 22/29/2022. Retrieved from the Internet: https://www.etsy.com/listing/952960346/wax-melter-for-candle-making-holds-7qts?gpla=1&gao=1&&utm_source=google&utm_medium=cpc&utm_campaign=shopping_us_a-craft_supplies_and_tools-tools_and_equipment-equipment_and_machines-wax_melters&utm_custom1=_k_EAIaIQobChMlvdKDoc7T-wlVEonlCh2AQQsjEAQYBSABEglkXfD_BwE_k_&utm_content=go_12569400892_126353606344_507394738447_pla-297071526411_c_952960346_12768591&utm_custom2=12569400. Date Mar. 19, 2021.*

* cited by examiner

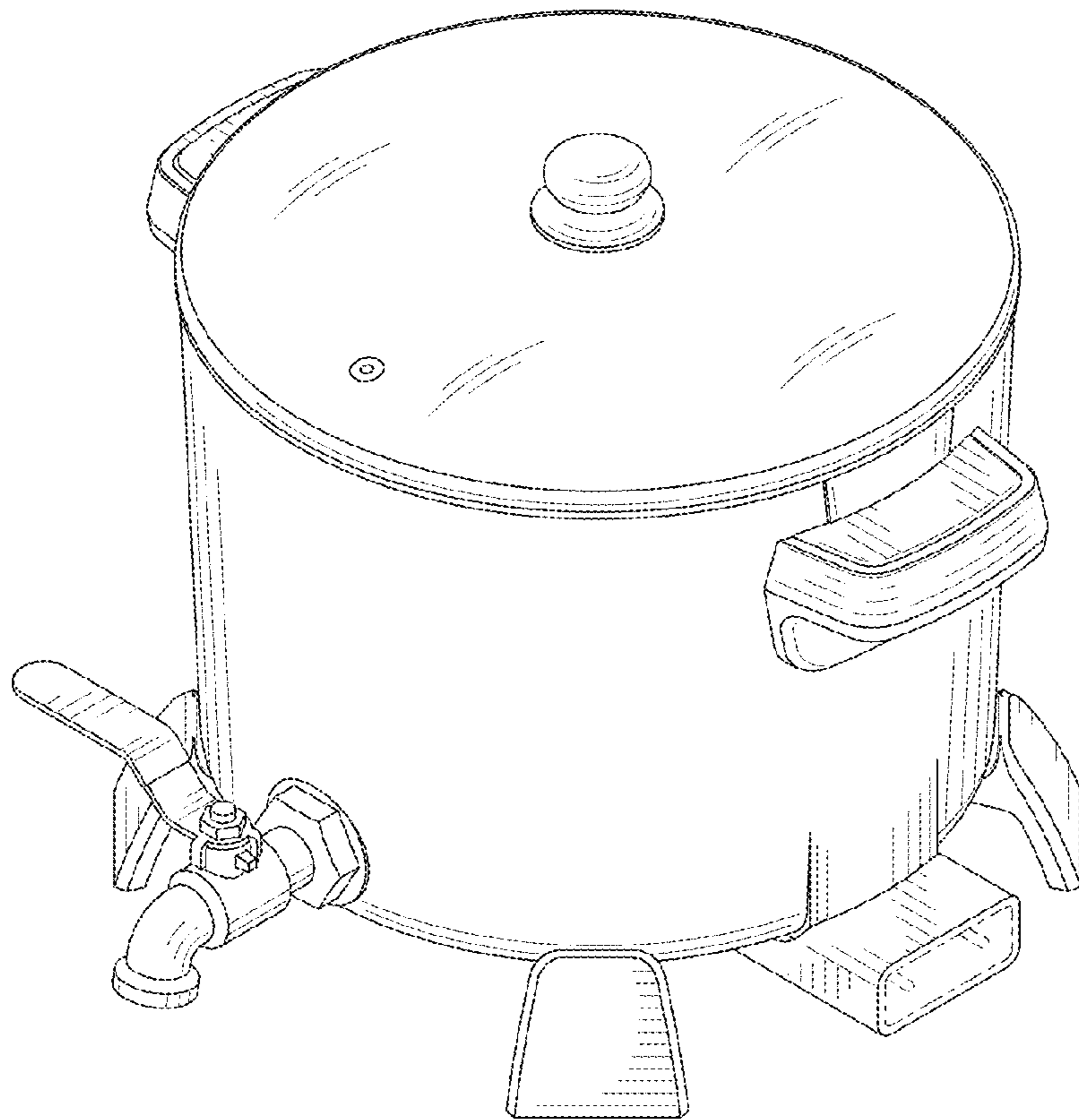
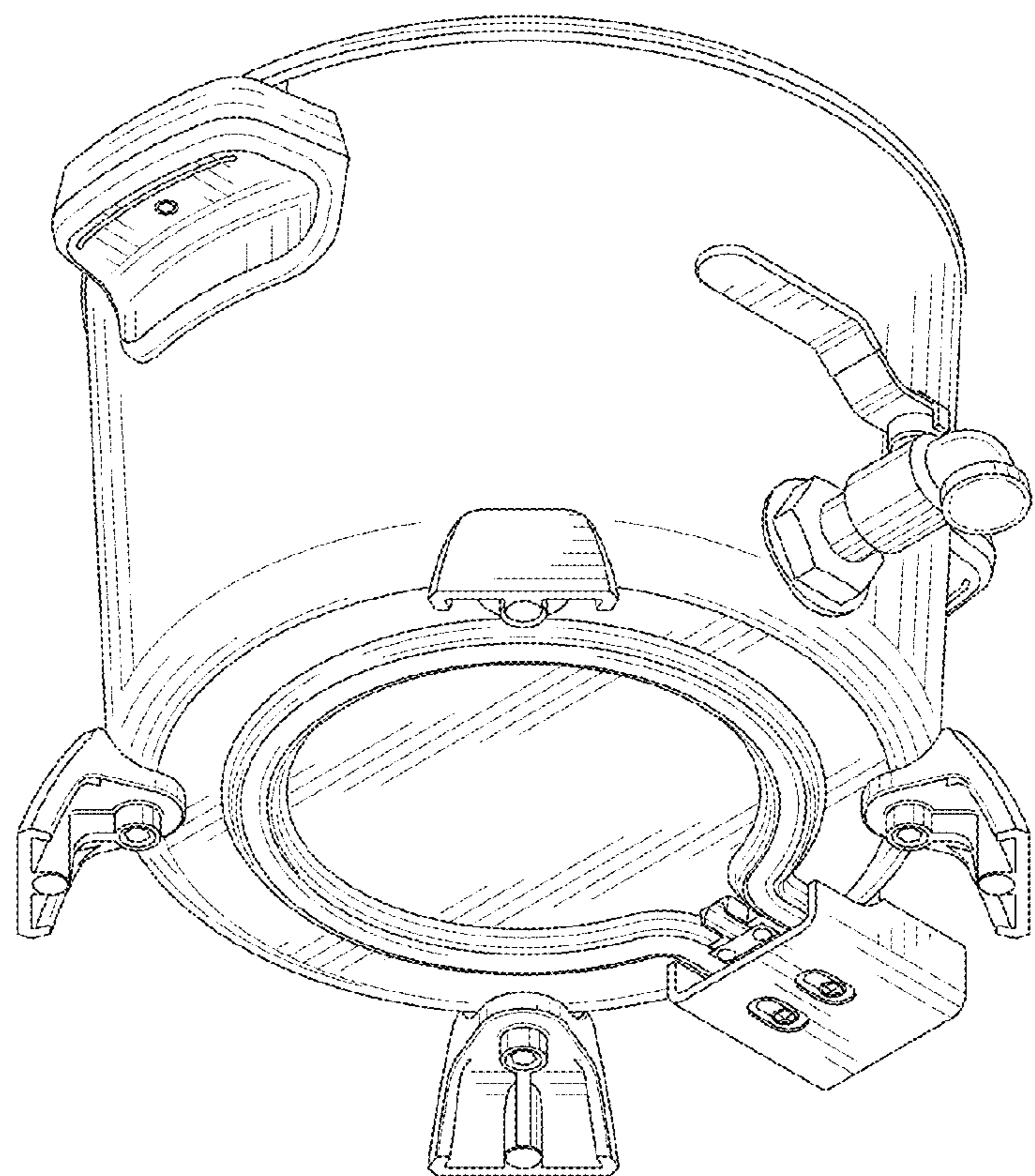


FIG. 1

FIG. 2



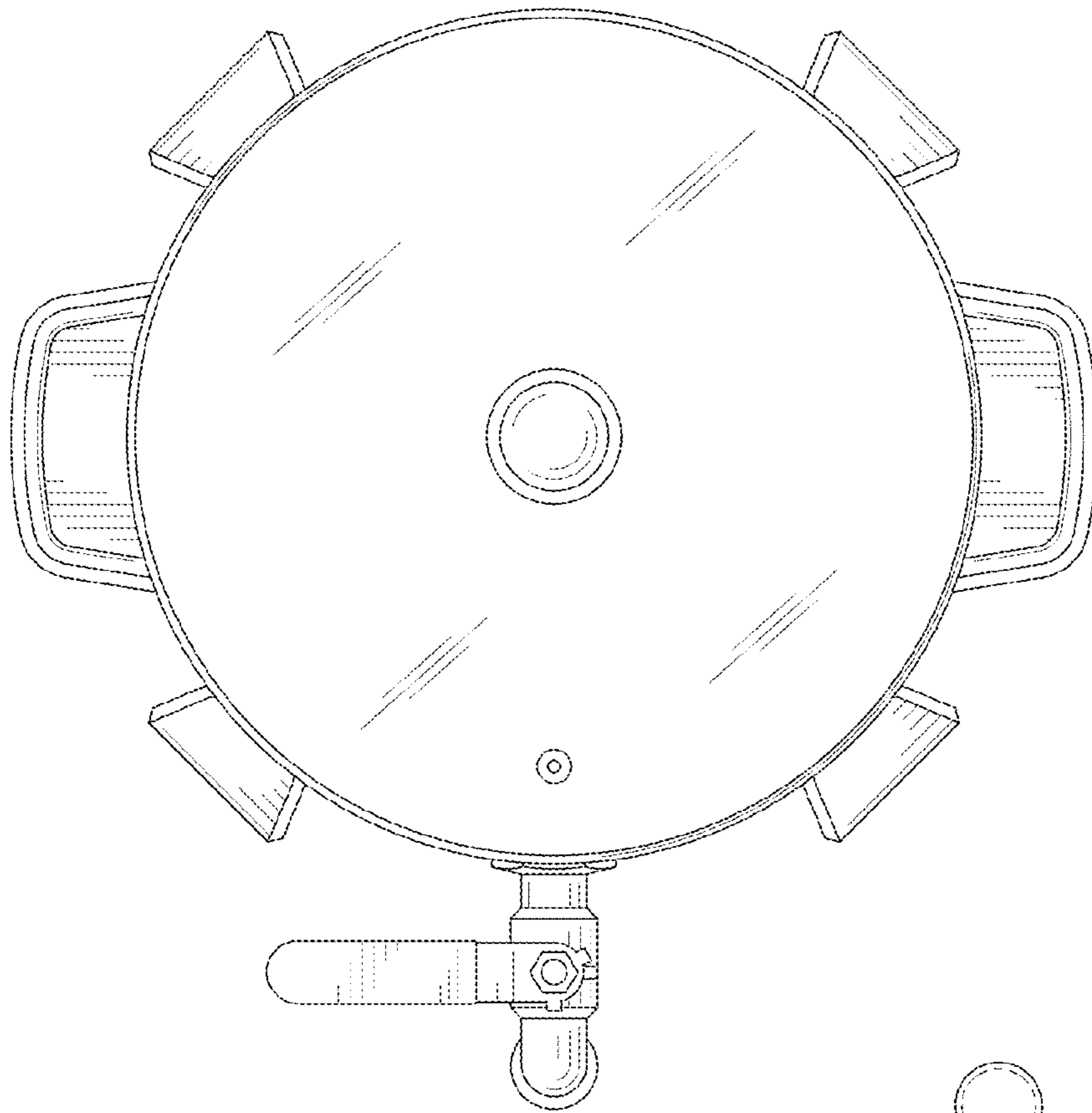


FIG. 3

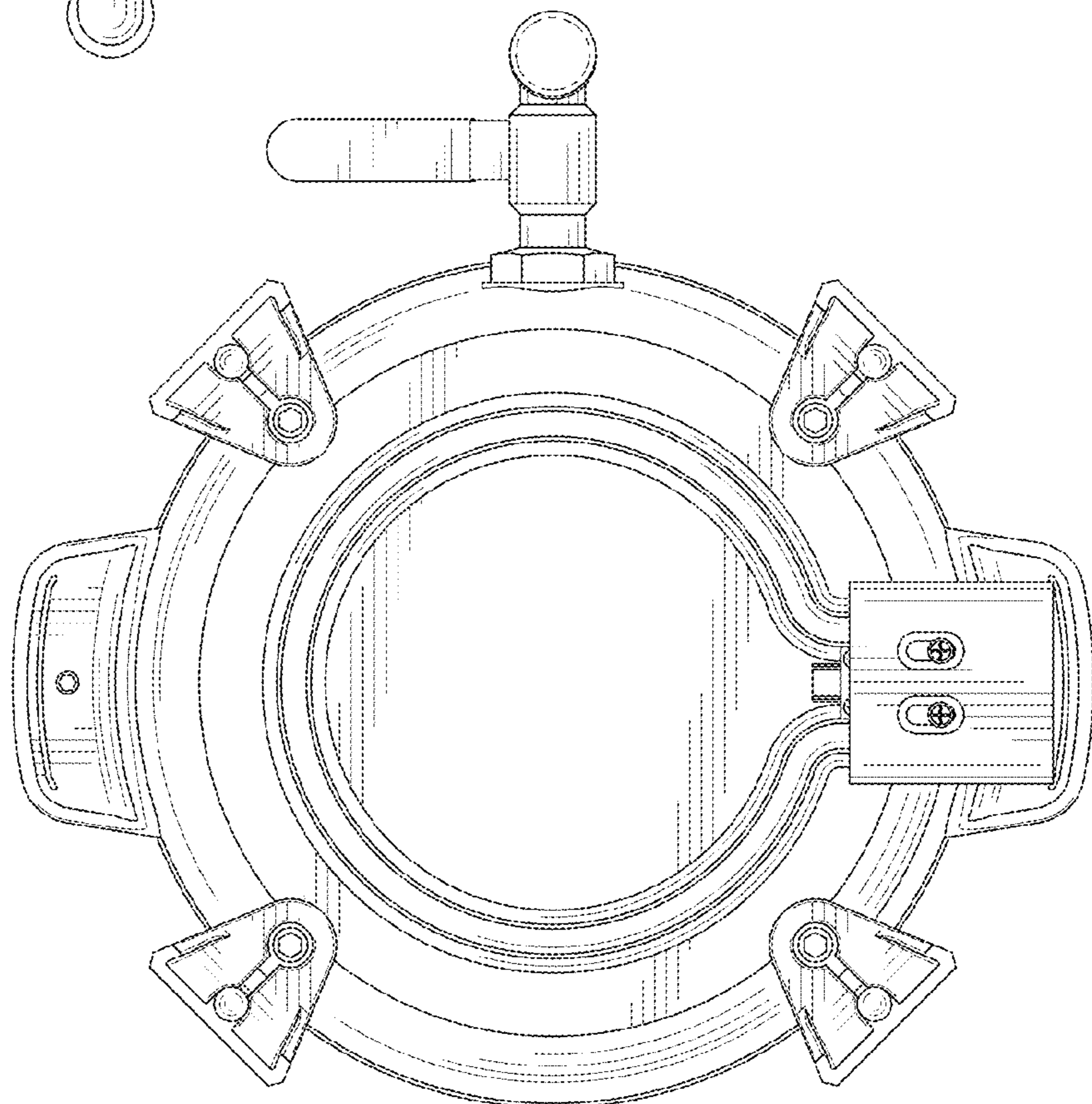


FIG. 4

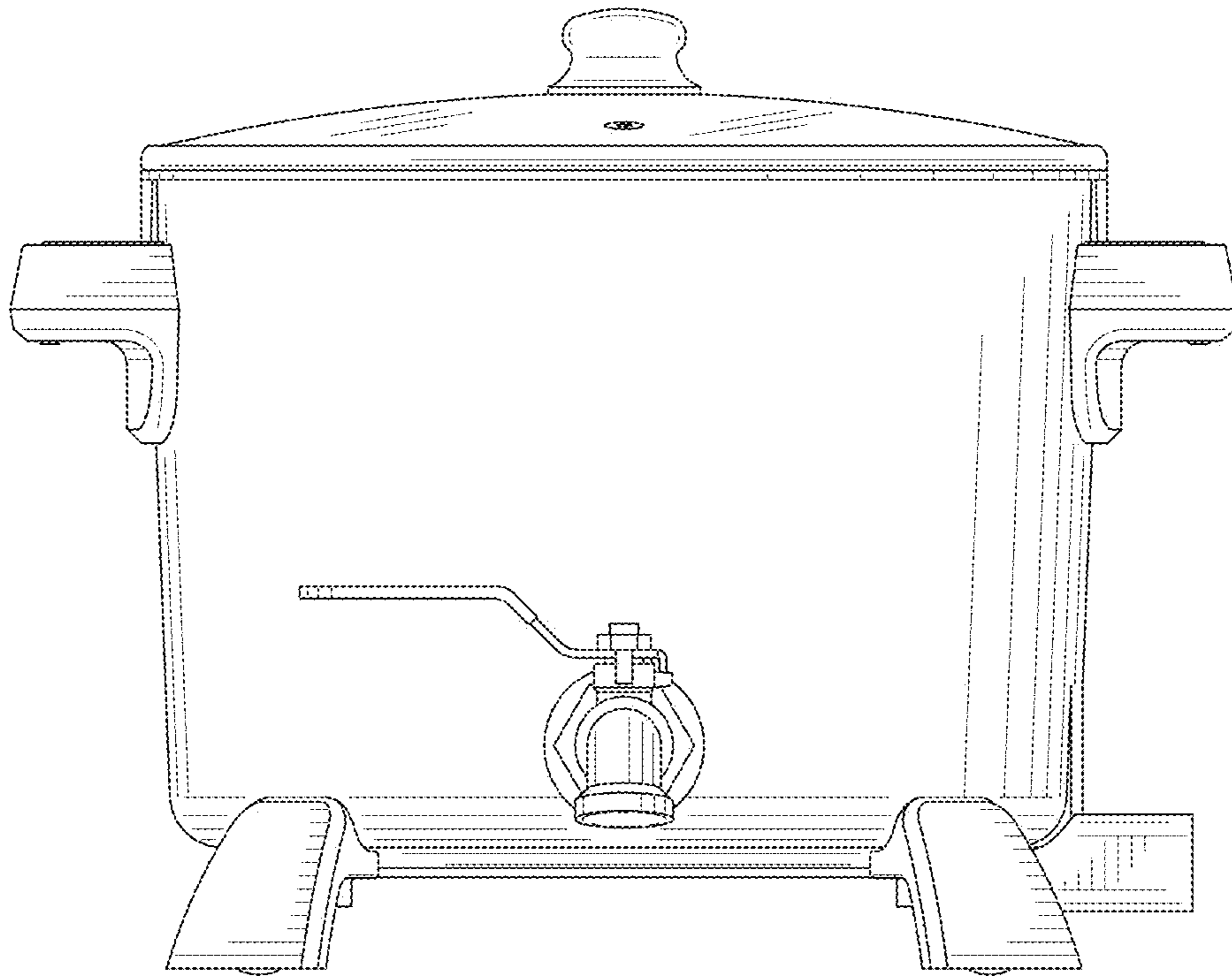


FIG. 5

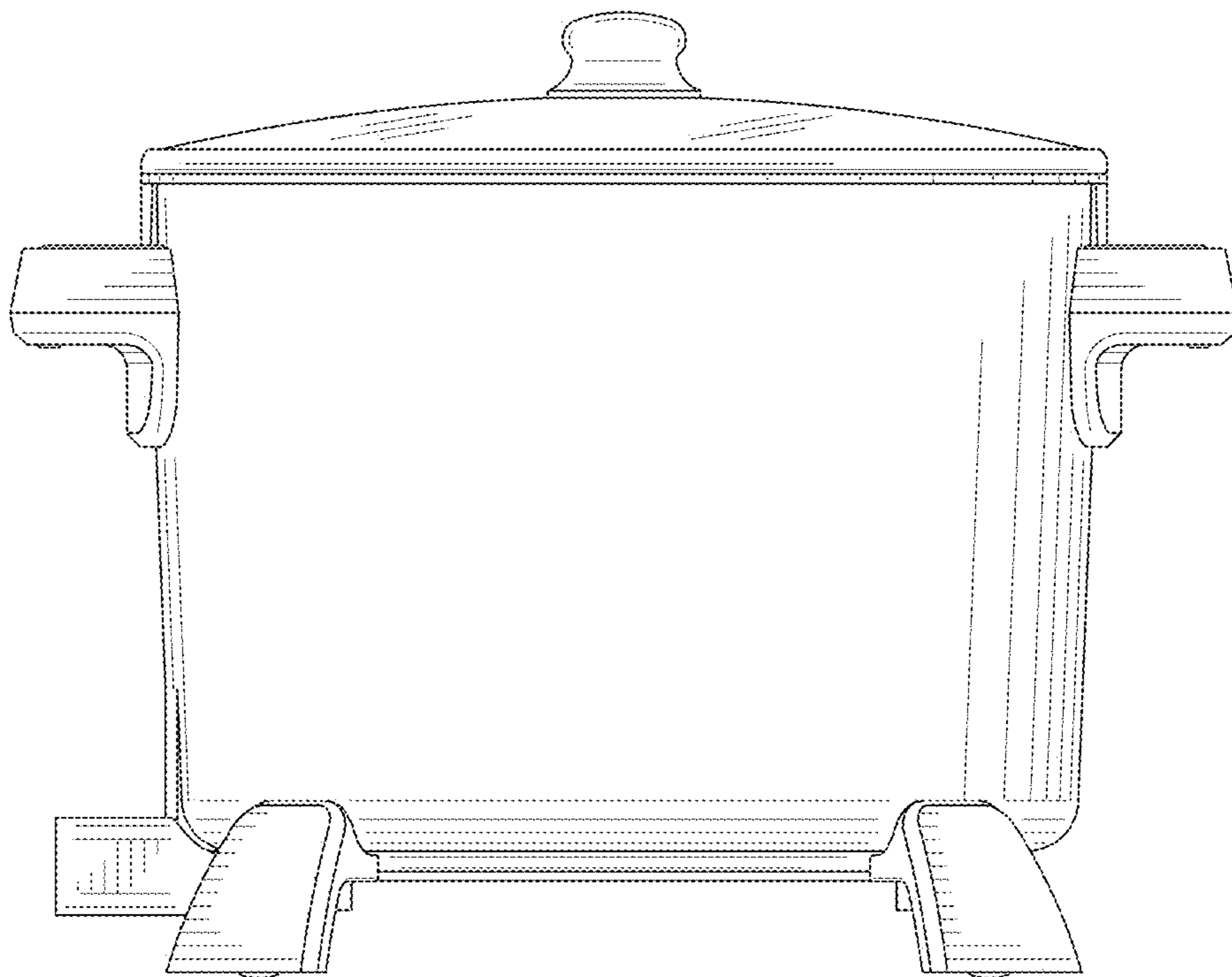


FIG. 6

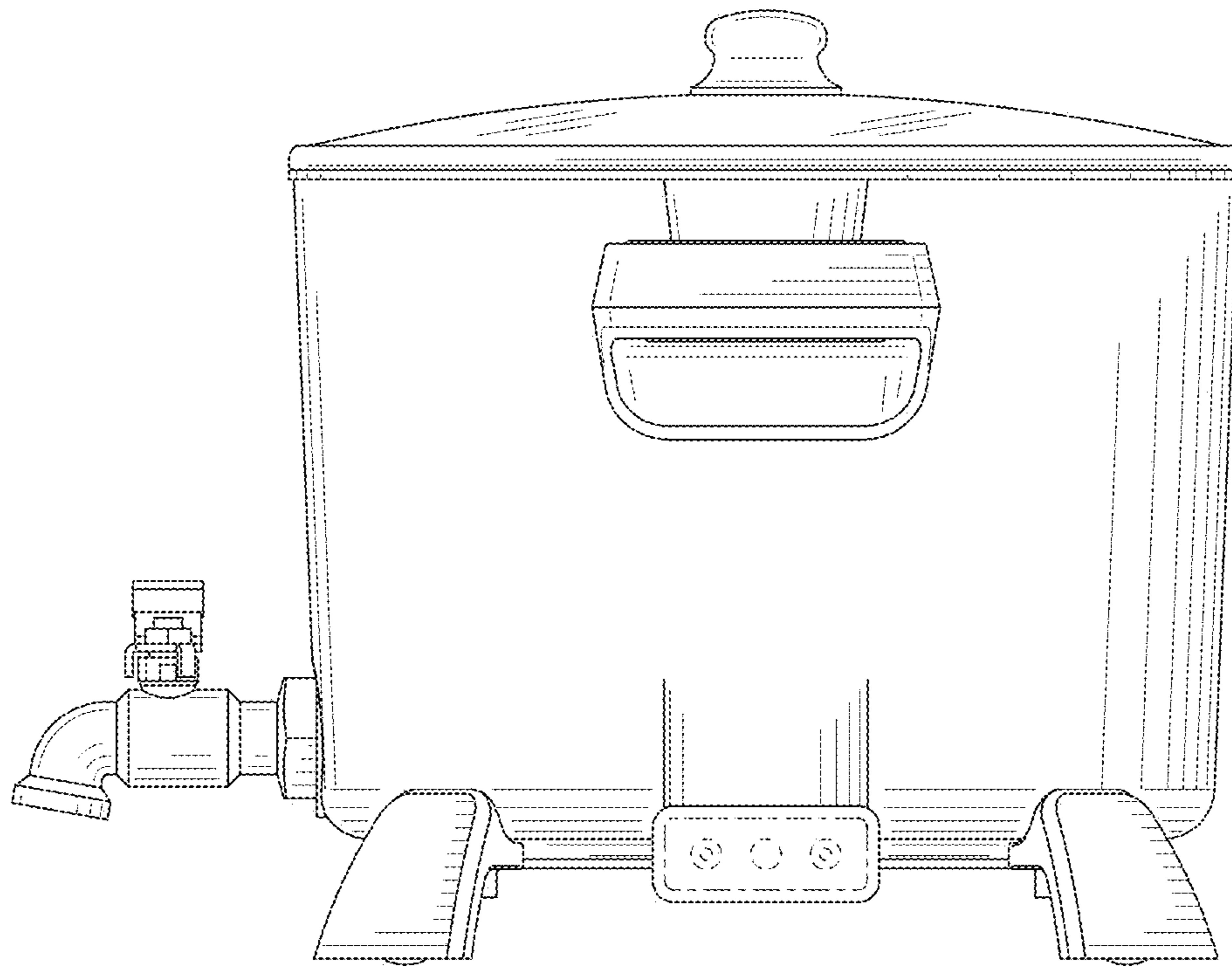


FIG. 7

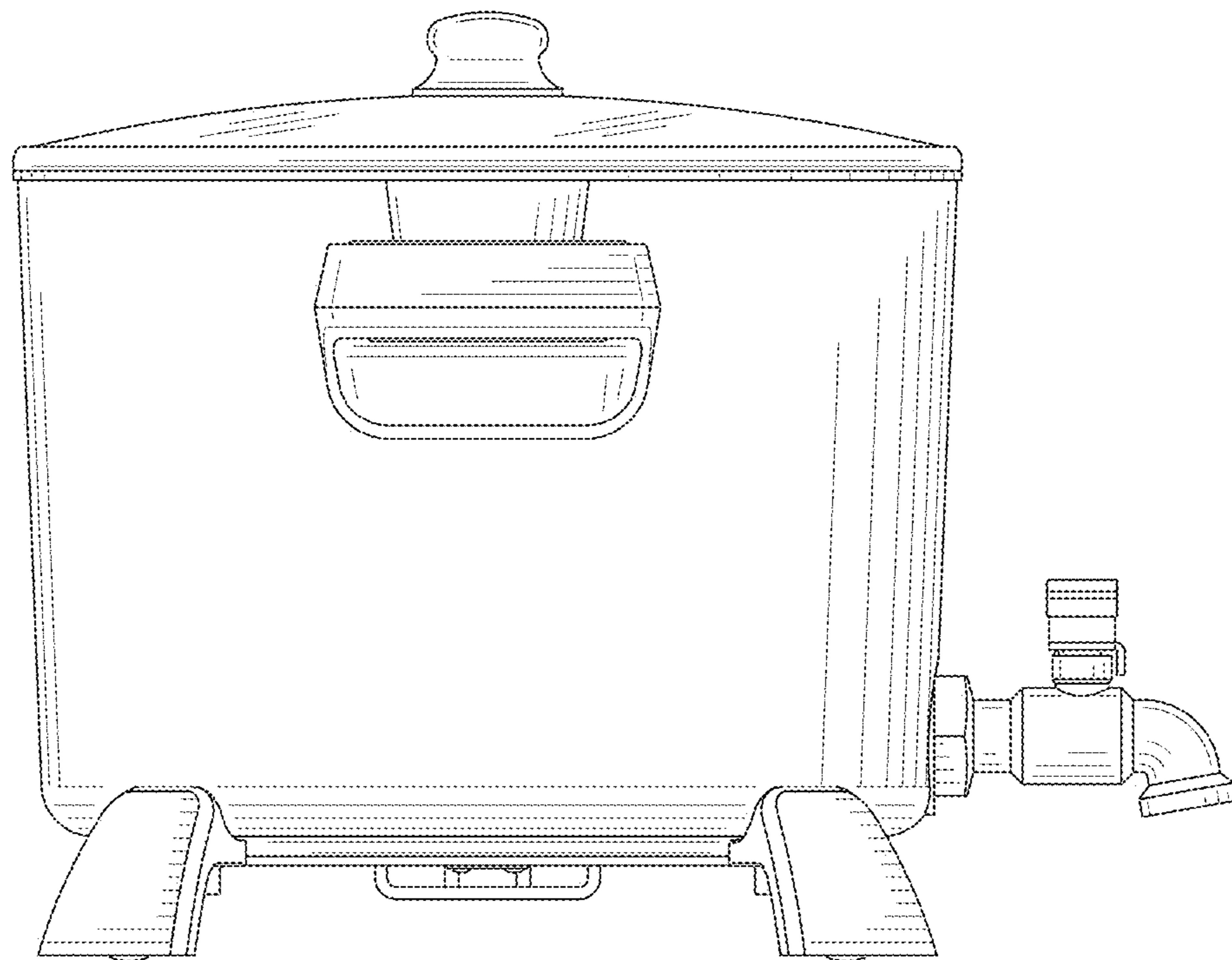


FIG. 8