



US00D987090S

(12) **United States Design Patent**
Zhang

(10) **Patent No.:** **US D987,090 S**

(45) **Date of Patent:** **** May 23, 2023**

(54) **WAX WARMER**

(71) Applicant: **GUANGDONG YORKMA INDUSTRIAL CO., LTD.**, Guangzhou (CN)

(72) Inventor: **Fengrong Zhang**, Guangzhou (CN)

(73) Assignee: **GUANGDONG YORKMA INDUSTRIAL CO., LTD.**, Guangzhou (CN)

(**) Term: **15 Years**

(21) Appl. No.: **29/805,073**

(22) Filed: **Aug. 24, 2021**

(30) **Foreign Application Priority Data**

Jul. 1, 2021 (CN) 202130413967.3

(51) **LOC (14) Cl.** **24-01**

(52) **U.S. Cl.**
USPC **D24/200; D28/44.1; D28/58**

(58) **Field of Classification Search**
USPC D24/200, 204, 121; D7/323, 391, 354, D7/538, 629; D9/435, 503, 424, 428, D9/780; D28/44.1, 58
CPC A61F 7/00; A61F 7/007; A61F 7/0085; A61F 2007/0001; A61F 2007/0003; A61F 2007/0004; A61F 2007/0024; A61F 2007/0029; A61F 2007/0031; A61F 2007/0039; A61F 2007/0041; A61F 2007/0043; A16F 7/00; A16F 7/007; A16F 7/0085; A16F 2007/0001; A16F 2007/0003; A16F 2007/0004; A16F 2007/0024; A16F 2007/0029; A16F 2007/0031; A16F 2007/0039; A16F 2007/0041; A16F 2007/0043; A47J 36/06; A61L 9/03; A61L 9/12; F27B 14/12; H05B 3/00; H05B 3/0052; A61H 33/04; A61H 2203/047

See application file for complete search history.

(56) **References Cited**

U.S. PATENT DOCUMENTS

D45,779 S *	5/1914 Weeks	D9/503
D838,859 S *	1/2019 Yu	D24/200
D878,616 S *	3/2020 Lin	D24/200
D914,223 S *	3/2021 Wang	D24/200
D933,294 S *	10/2021 Deng	D23/366
D942,077 S *	1/2022 Wei	D28/44.1

(Continued)

OTHER PUBLICATIONS

Hair Removal Wax Pot Portable Electric Hot Wax Warmer, first available Jun. 21, 2022, amazon.com, [online], [site visited Dec. 2, 2022], Available from internet URL: <https://www.amazon.ca/Removal-Portable-Electric-Machine-Heating/dp/B0B4NZYCNF/> (Year: 2022).*

(Continued)

Primary Examiner — Samantha Q Lawrence

Assistant Examiner — Holly M Rodriguez

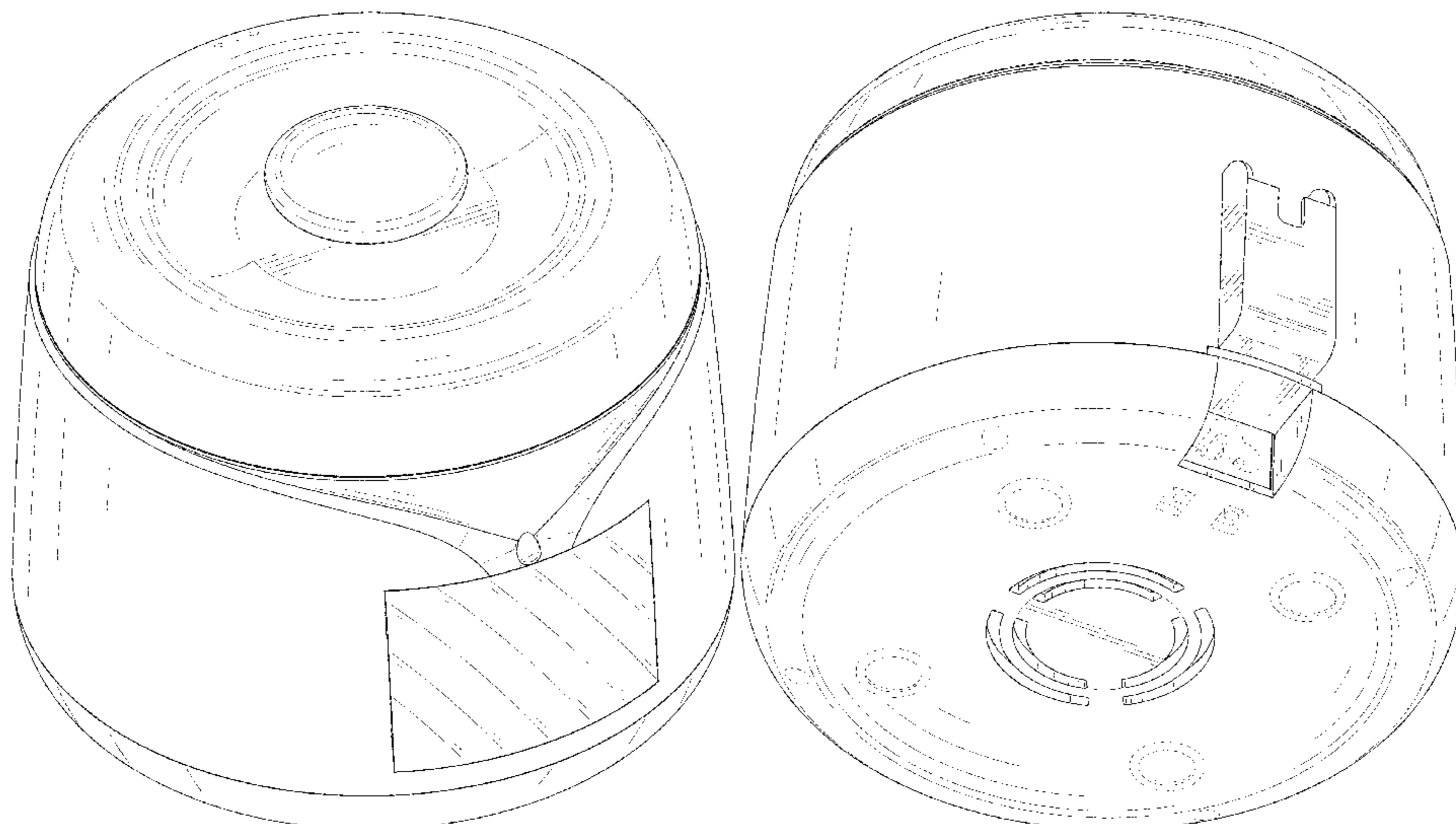
(57) **CLAIM**

The ornamental design for a wax warmer, as shown and described.

DESCRIPTION

FIG. 1 is a perspective view of a wax warmer showing my new design;
FIG. 2 is a bottom perspective view thereof;
FIG. 3 is a front elevational view thereof;
FIG. 4 is a rear elevational view thereof;
FIG. 5 is a left side elevational view thereof;
FIG. 6 is a right side elevational view thereof;
FIG. 7 is a top plan view thereof; and,
FIG. 8 is a bottom plan view thereof.
The broken lines in the drawings depict portions of the wax warmer that form no part of the claimed design.

1 Claim, 8 Drawing Sheets



(56)

References Cited

U.S. PATENT DOCUMENTS

D943,756 S * 2/2022 Lin D28/44.1
D948,736 S * 4/2022 Deng D28/44.1

OTHER PUBLICATIONS

Professional Waxing Wax Heater, amazon.com, [online], [site visited Dec. 2, 2022], Available from internet URL: <https://www.amazon.com/Professional-Removal-Epilator-Depilatory-Paraffin/dp/B0B4G612VF/> (Year: 2022).*

Professional Electric Wax Warmer, amazon.com, [online], [site visited Dec. 2, 2022], Available from internet URL: <https://www.amazon.com/Professional-Electric-Wax-Melt-Machine-Paraffin/dp/B0B4SLNZDM/> (Year: 2022).*

* cited by examiner

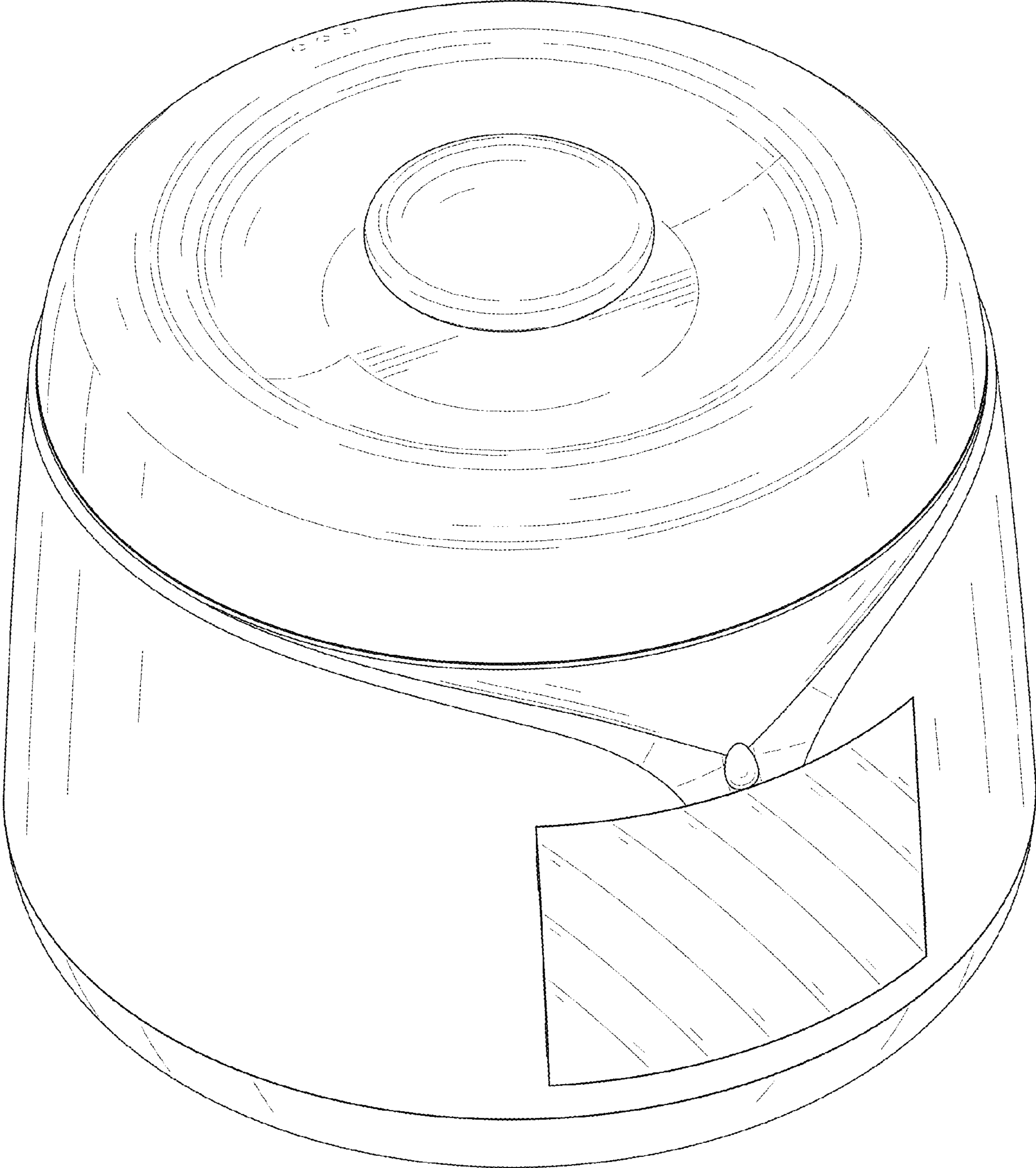


FIG. 1

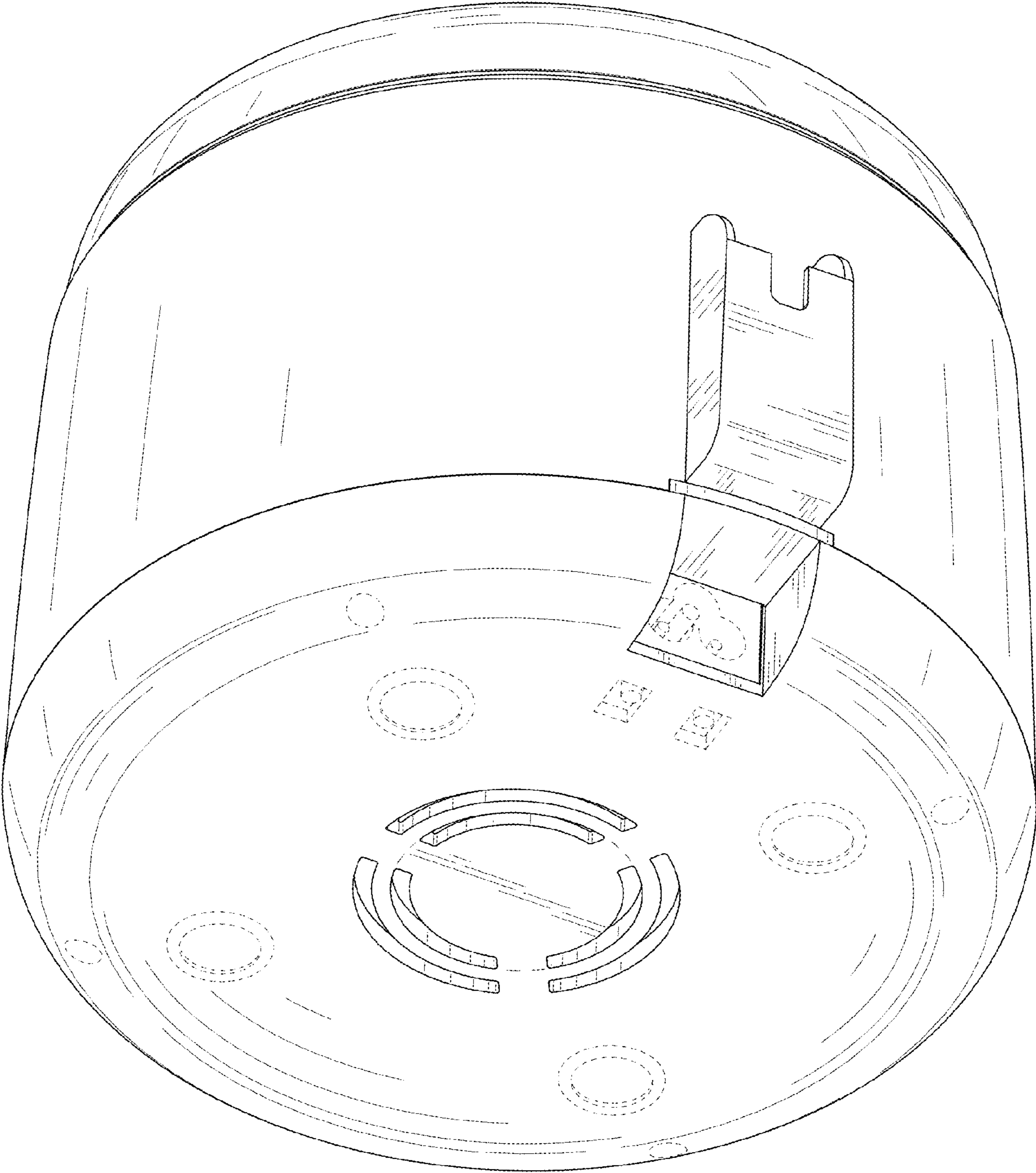


FIG. 2

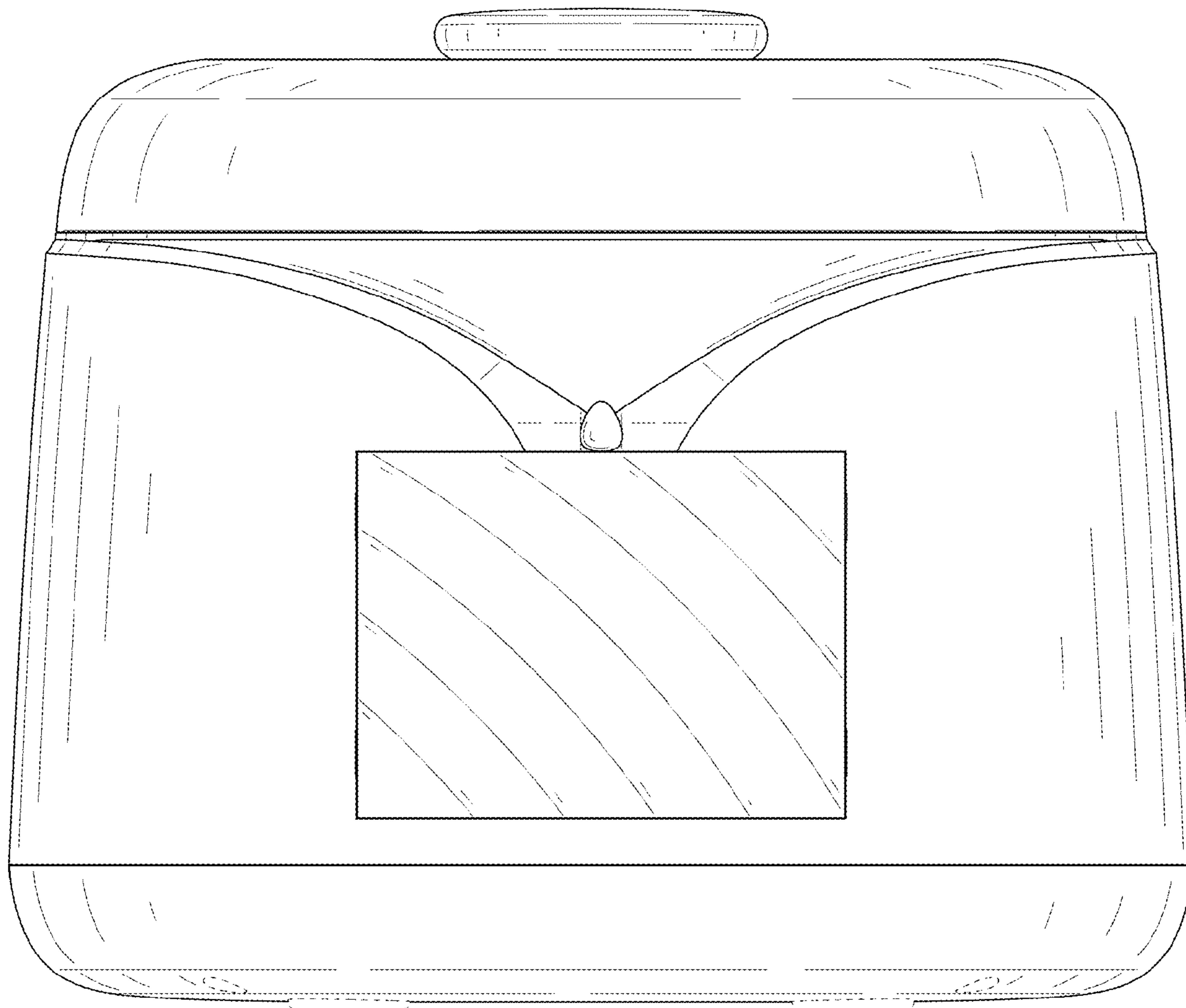


FIG. 3

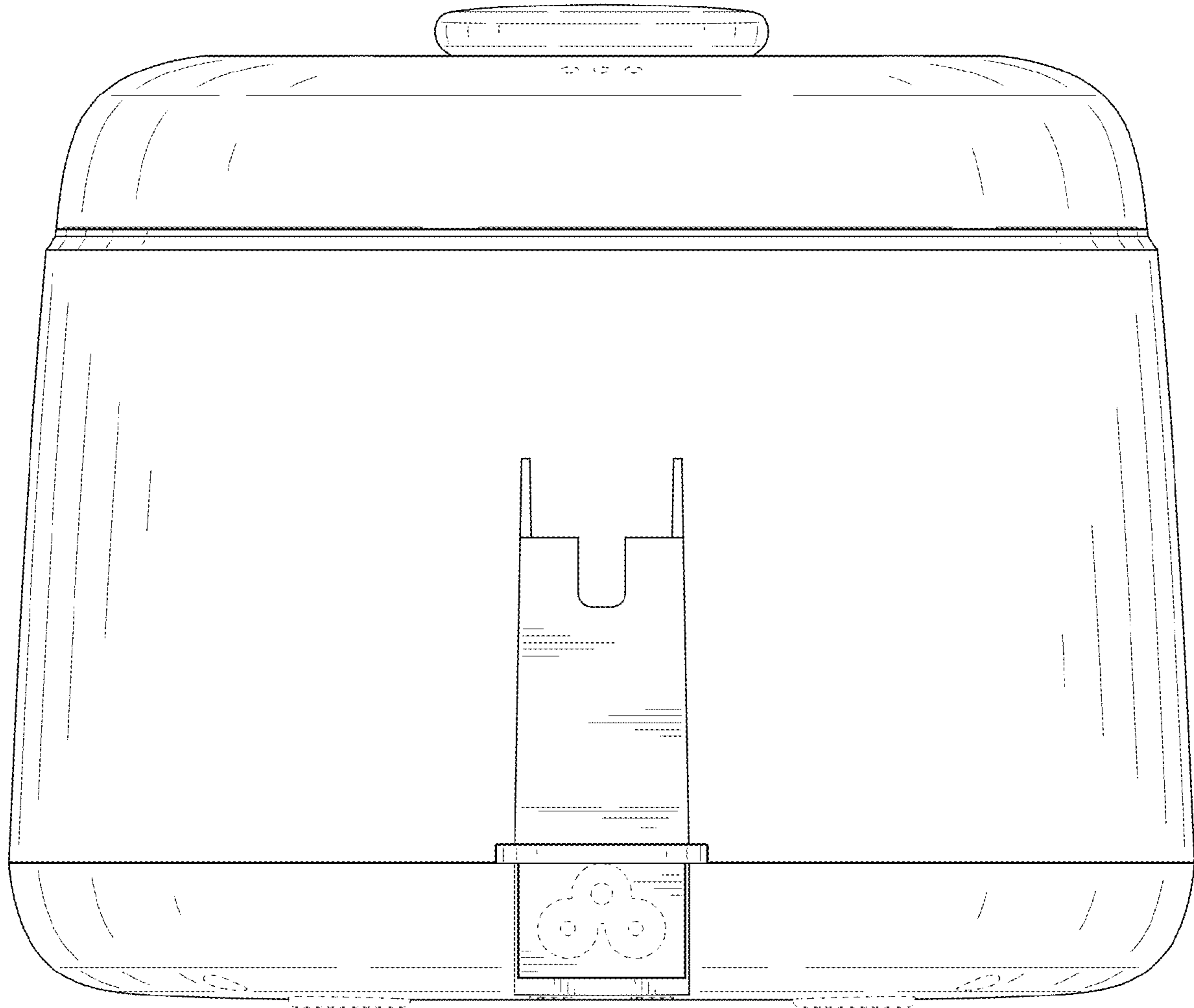


FIG. 4

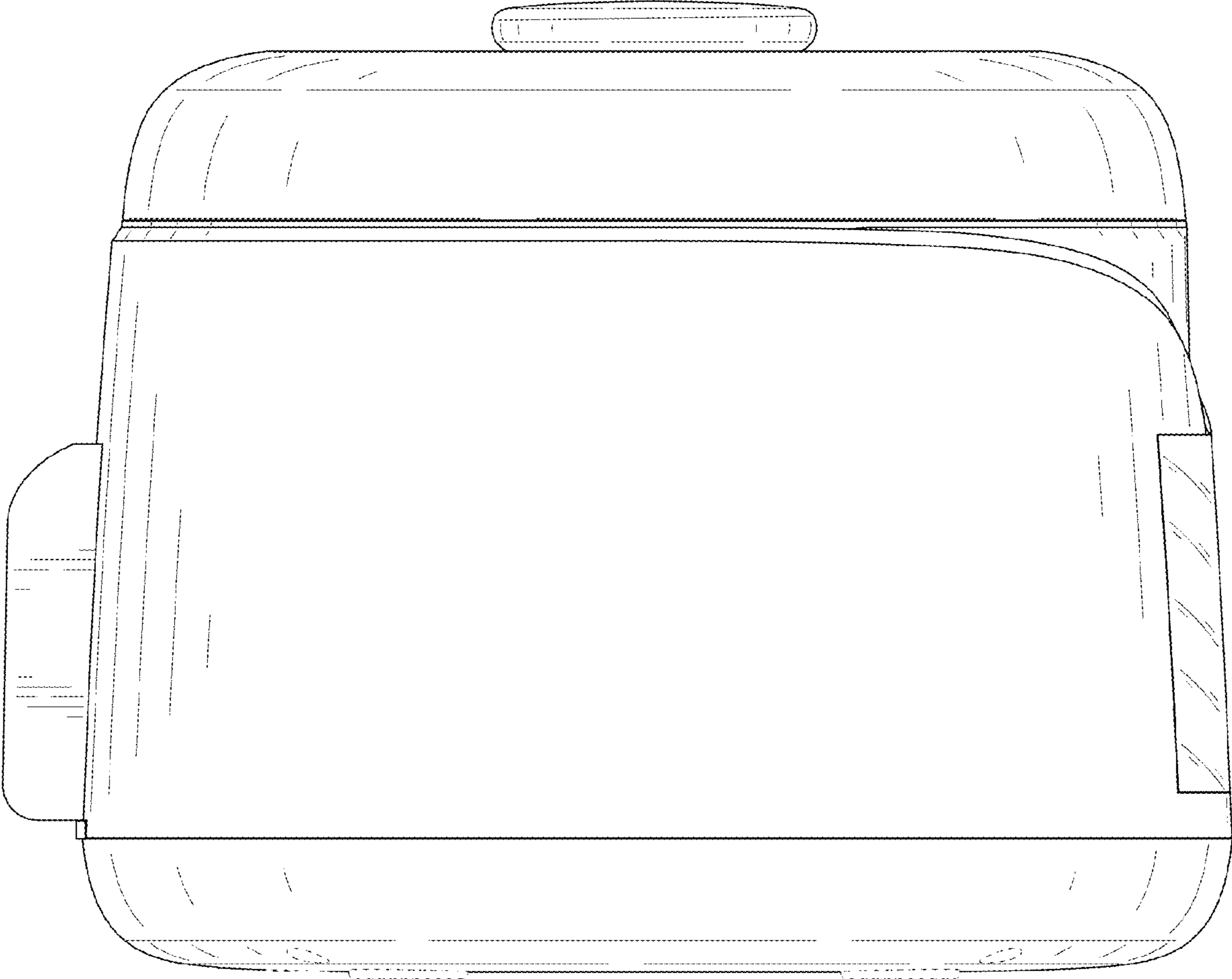


FIG. 5

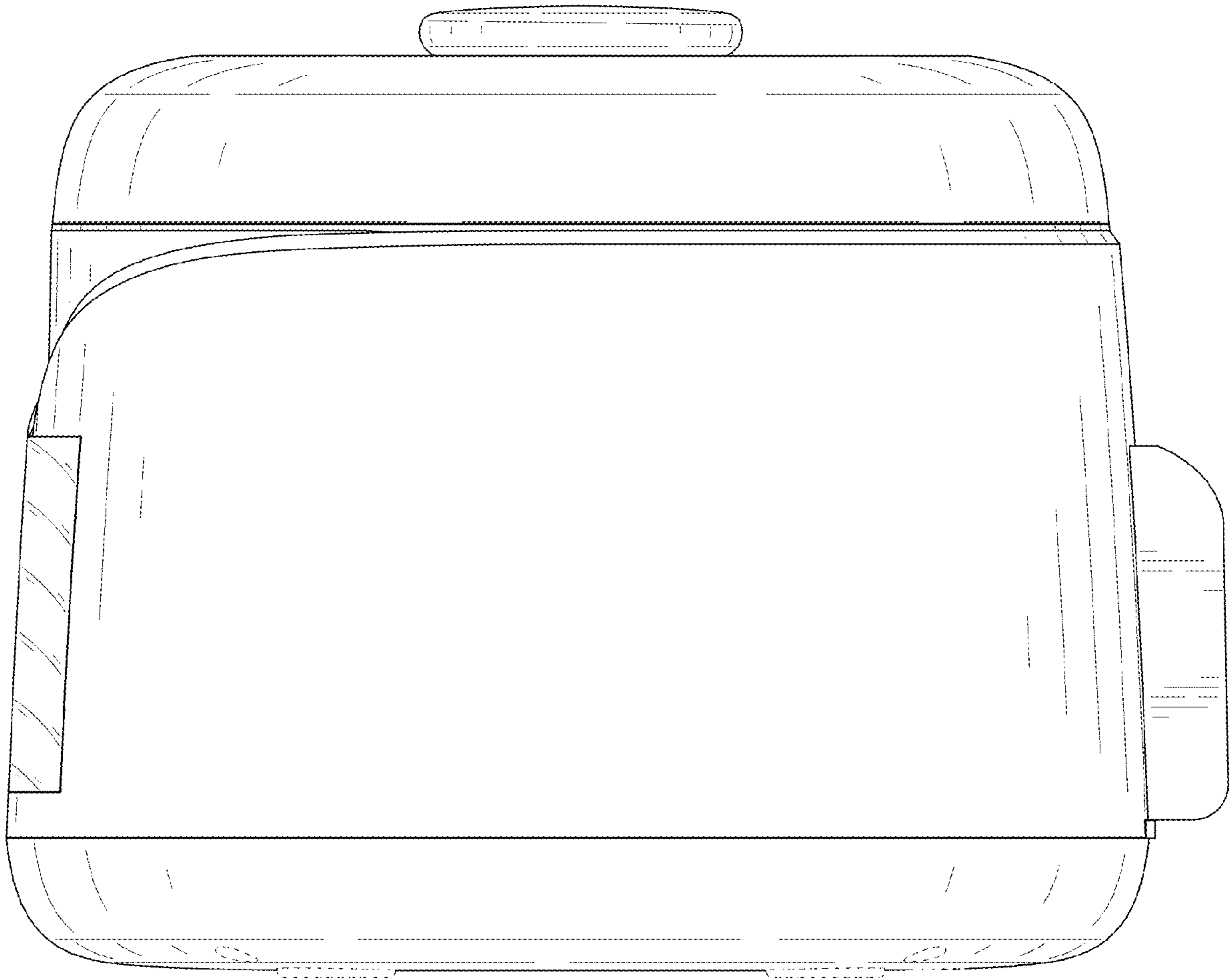


FIG. 6

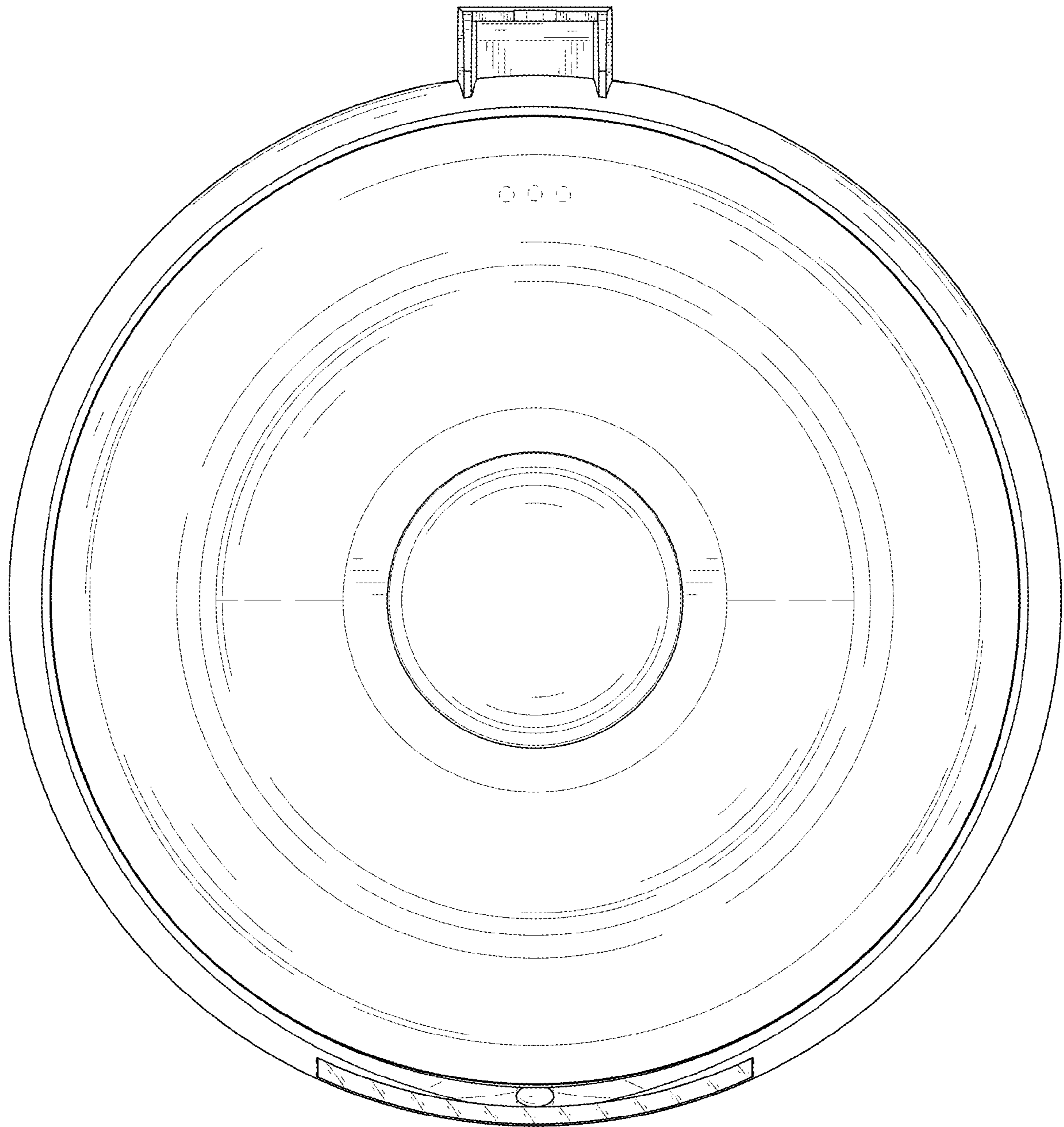


FIG. 7

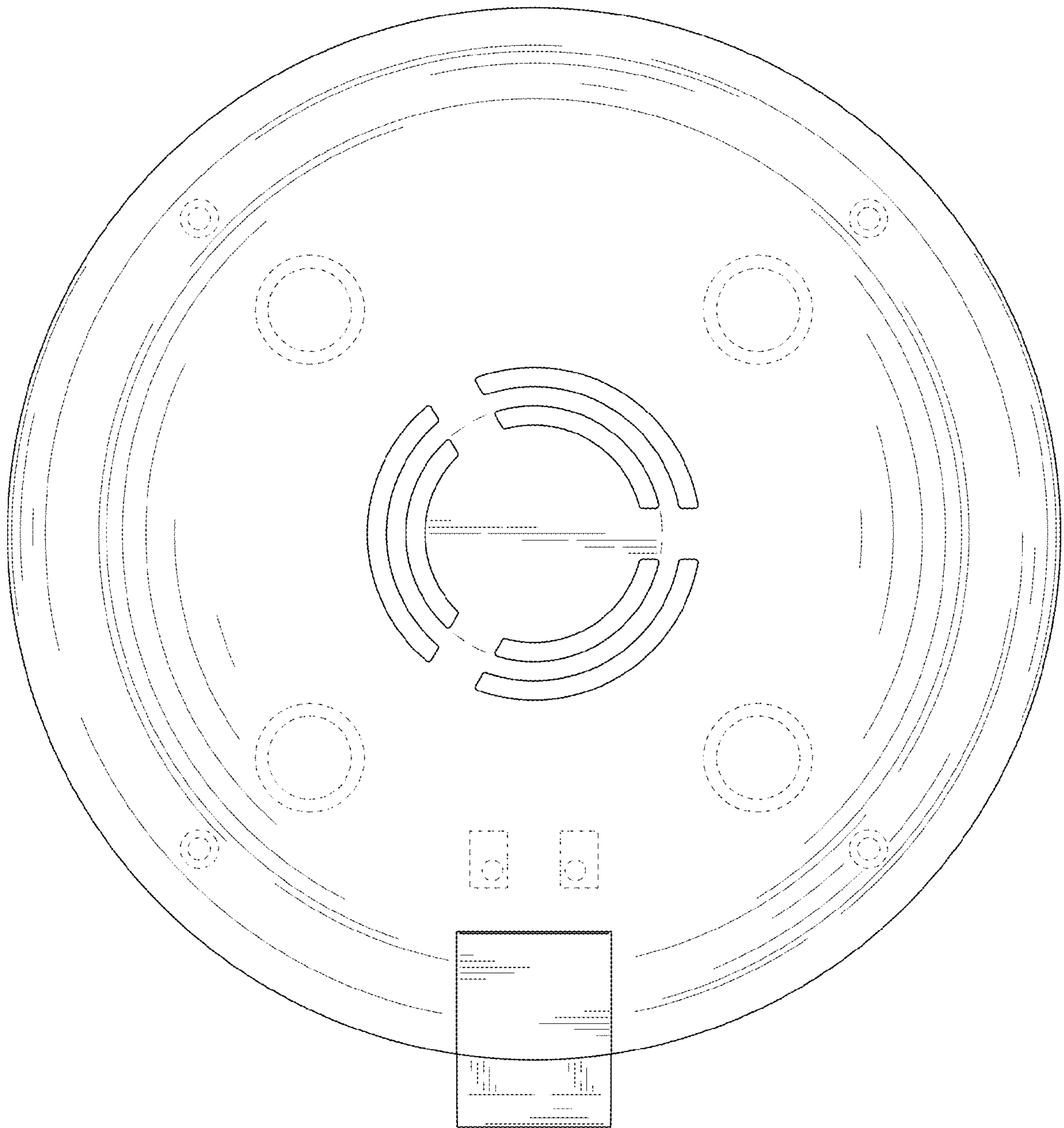


FIG. 8