



US00D987085S

(12) **United States Design Patent** (10) **Patent No.:** **US D987,085 S**
Zhang (45) **Date of Patent:** **** May 23, 2023**

(54) **LIFTING SLING**
(71) Applicant: **Deli Zhang**, Shenzhen (CN)
(72) Inventor: **Deli Zhang**, Shenzhen (CN)
(**) Term: **15 Years**
(21) Appl. No.: **29/801,235**
(22) Filed: **Jul. 28, 2021**
(51) **LOC (14) Cl.** **24-02**
(52) **U.S. Cl.**
USPC **D24/190**; D24/184; D29/124
(58) **Field of Classification Search**
USPC D24/128, 171, 183, 184, 190–192;
D34/28; D29/124
CPC A61G 2200/34; A61G 2200/36; A61G
7/1051; A61G 1/017; Y10T 24/3909;
Y10T 24/4084
See application file for complete search history.

2016/0256340 A1* 9/2016 Williams A61G 1/013
2018/0185226 A1* 7/2018 Rydstrom A61H 3/008
2018/0344553 A1* 12/2018 Lyckestig A61G 7/1015
2020/0330305 A1* 10/2020 Leiker A61G 7/1042
2021/0338507 A1* 11/2021 Kolek A61G 7/1051

OTHER PUBLICATIONS

Slings & Harnesses. Online, published date unknown. Retrieved on Nov. 29, 2022 from URL: <https://www.tollos.com/slings-harnesses/>.
Harness Systems. Online, published date unknown. Retrieved on Nov. 29, 2022 from URL: <https://reha-stim.com/product/harness-systems/>.

* cited by examiner

Primary Examiner — Omeed Agilee

(57) **CLAIM**

The ornamental design for a lifting sling, as shown and described.

DESCRIPTION

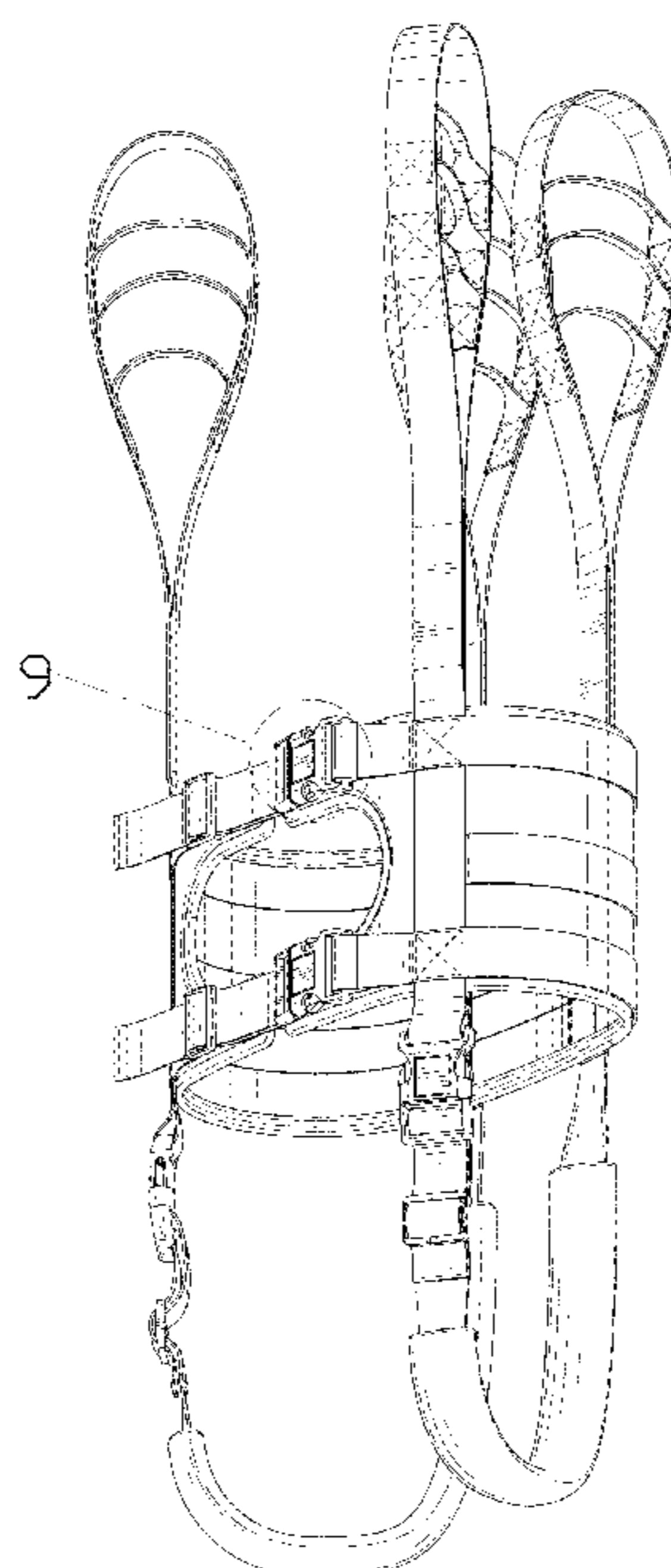
FIG. 1 is a perspective view of a lifting sling showing my new design;
FIG. 2 is another perspective view thereof;
FIG. 3 is a front elevational view thereof;
FIG. 4 is a rear elevational view thereof;
FIG. 5 is a left side elevational view thereof;
FIG. 6 is a right side elevational view thereof;
FIG. 7 is a top plan view thereof;
FIG. 8 is a bottom plan view thereof; and,
FIG. 9 is an enlarged view of portion 9 shown in FIG. 1.
The dash-dash broken lines in the drawings depict portions of the lifting sling that form no part of the claimed design. The dot-dash broken lines represent boundaries of the enlarged portion and form no part of the claimed design.

(56) **References Cited**

U.S. PATENT DOCUMENTS

D500,138 S * 12/2004 Urban D24/190
D636,964 S * 4/2011 Thomas D29/101.1
D799,052 S * 10/2017 Rossouw D24/184
D799,120 S * 10/2017 Kim D29/101.4
D906,517 S * 12/2020 Zhang D24/128
D914,886 S * 3/2021 Zhang D24/188
11,013,653 B1 * 5/2021 Atkins A61G 7/104
2006/0137097 A1 * 6/2006 Frost A61F 5/05825
5/628
2008/0189853 A1 * 8/2008 Felling A61G 7/1023
5/89.1
2013/0116604 A1 * 5/2013 Morilla A63G 9/12
601/33
2015/0136145 A1 * 5/2015 Binder A61G 7/1023
128/845

1 Claim, 9 Drawing Sheets



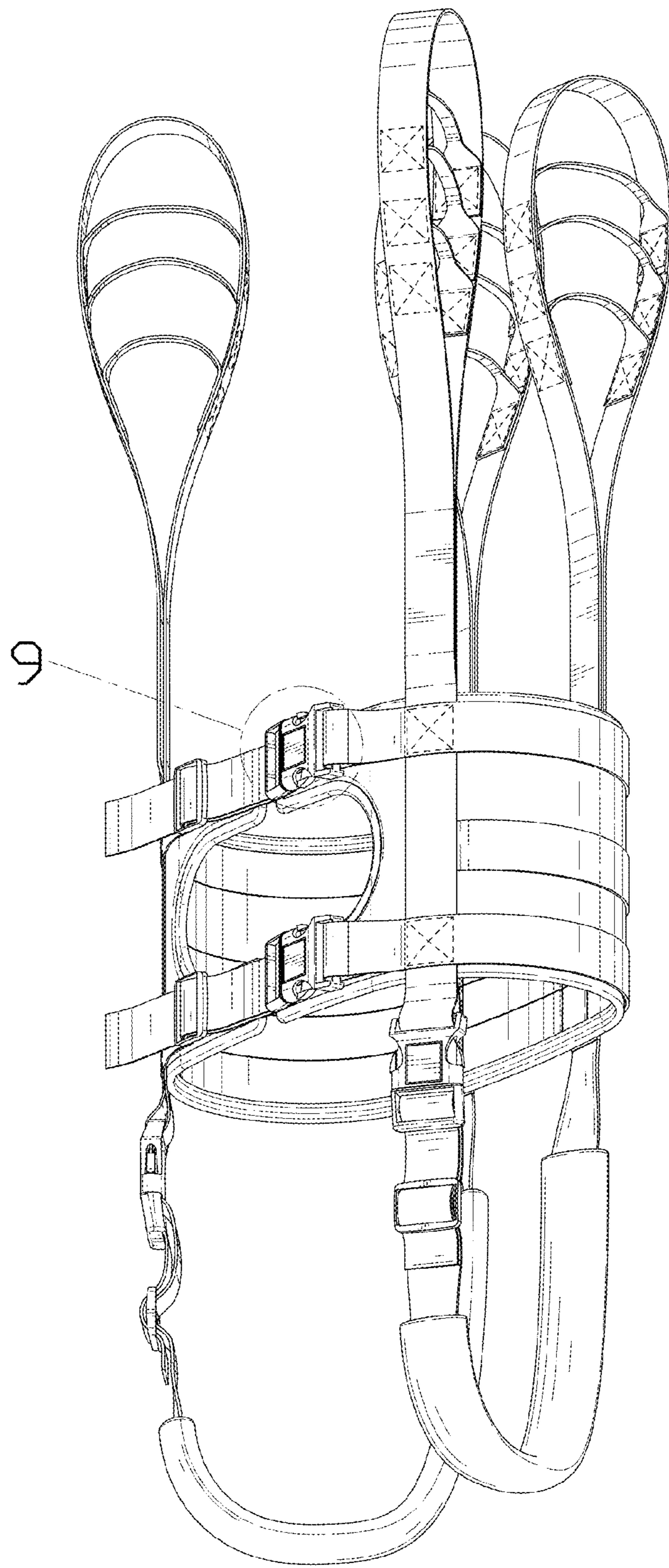


FIG. 1

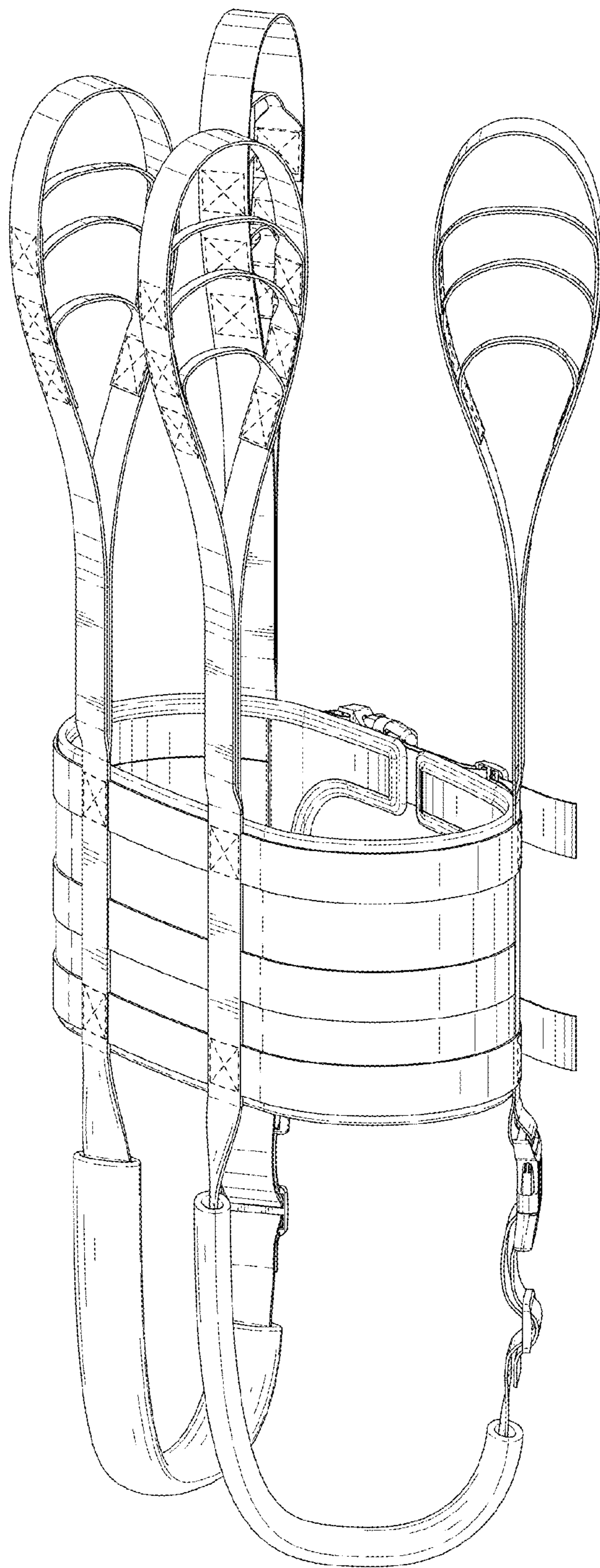


FIG. 2

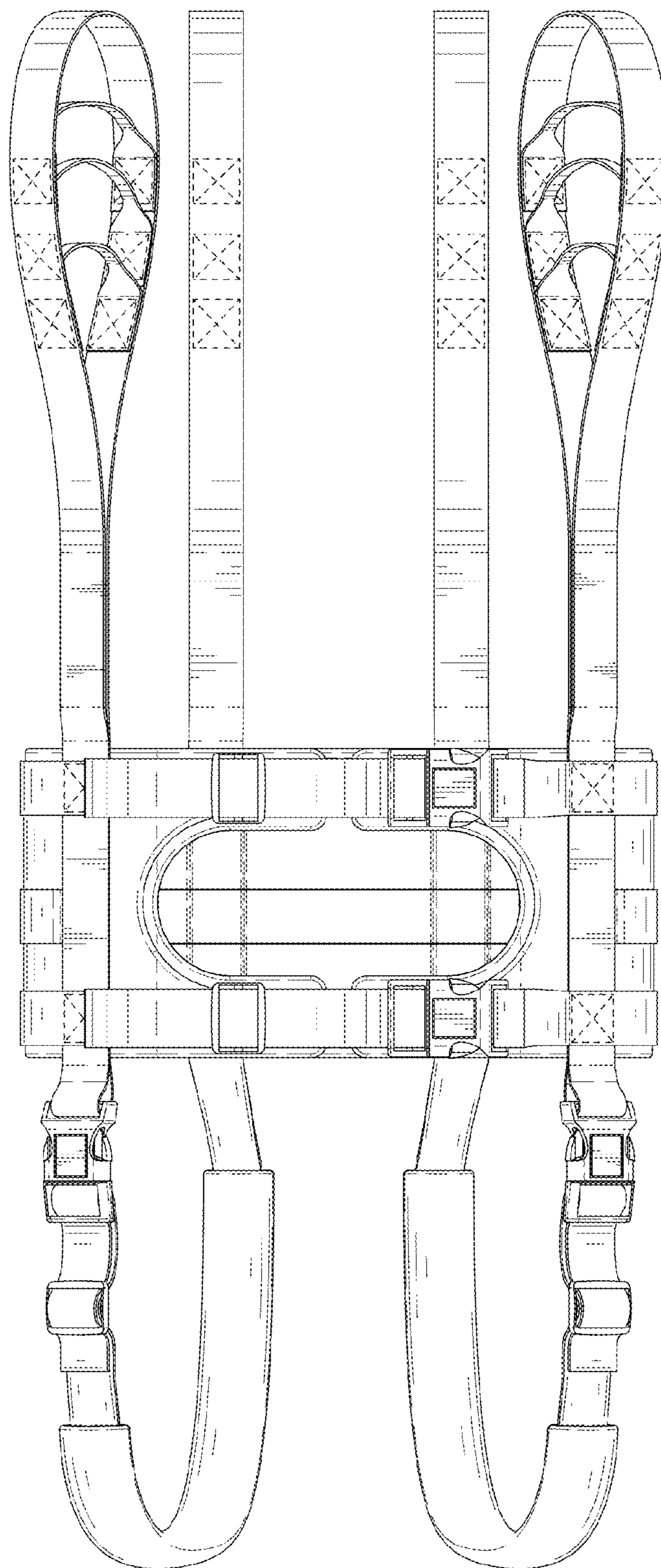


FIG. 3

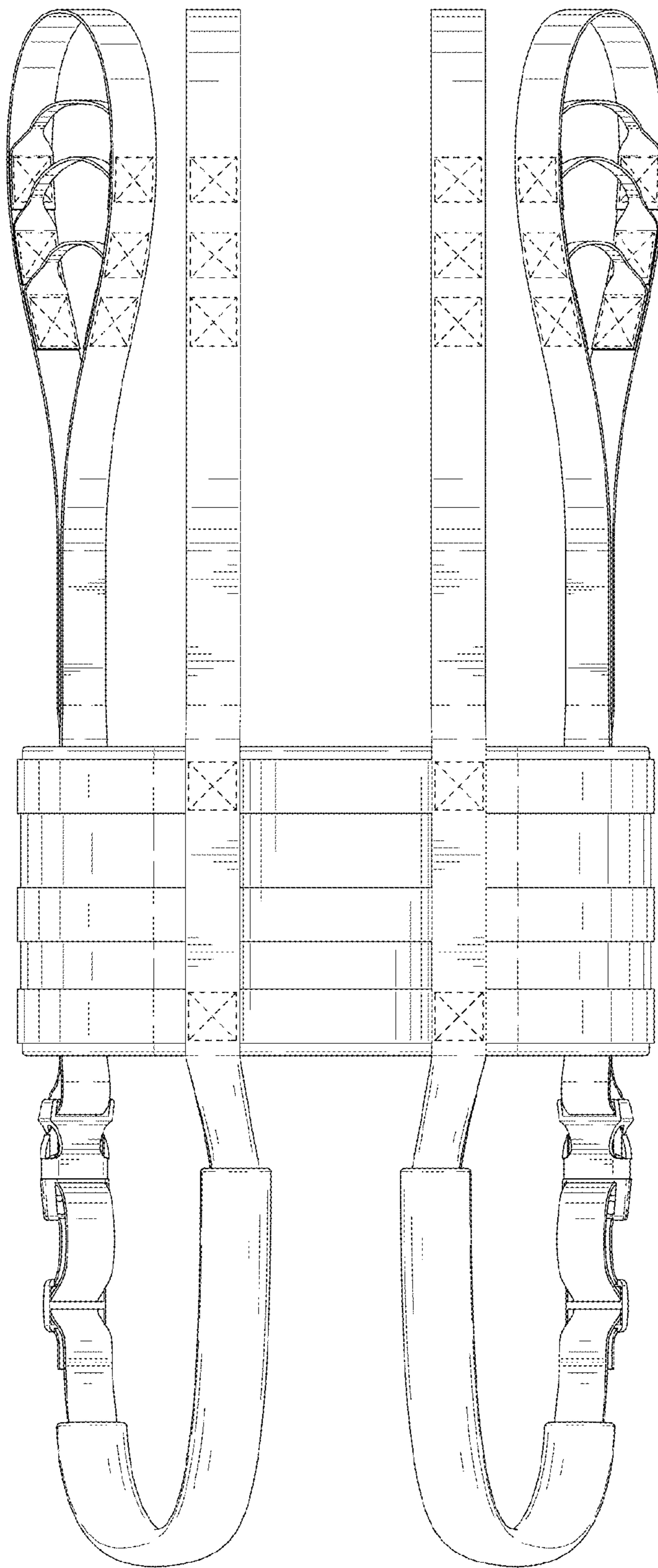


FIG. 4

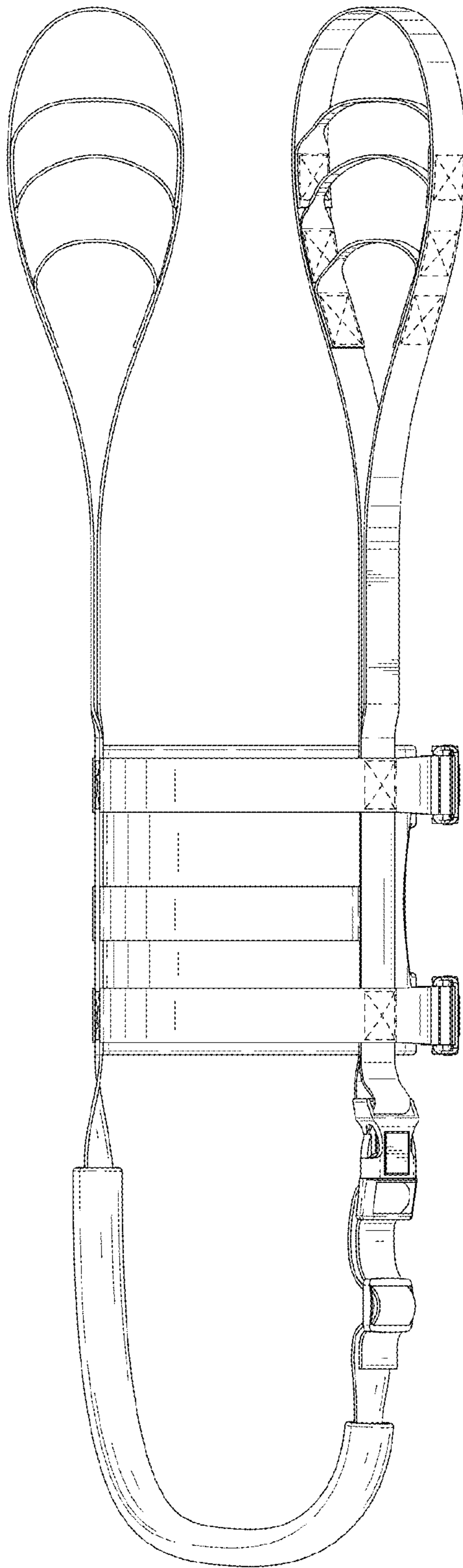


FIG. 5

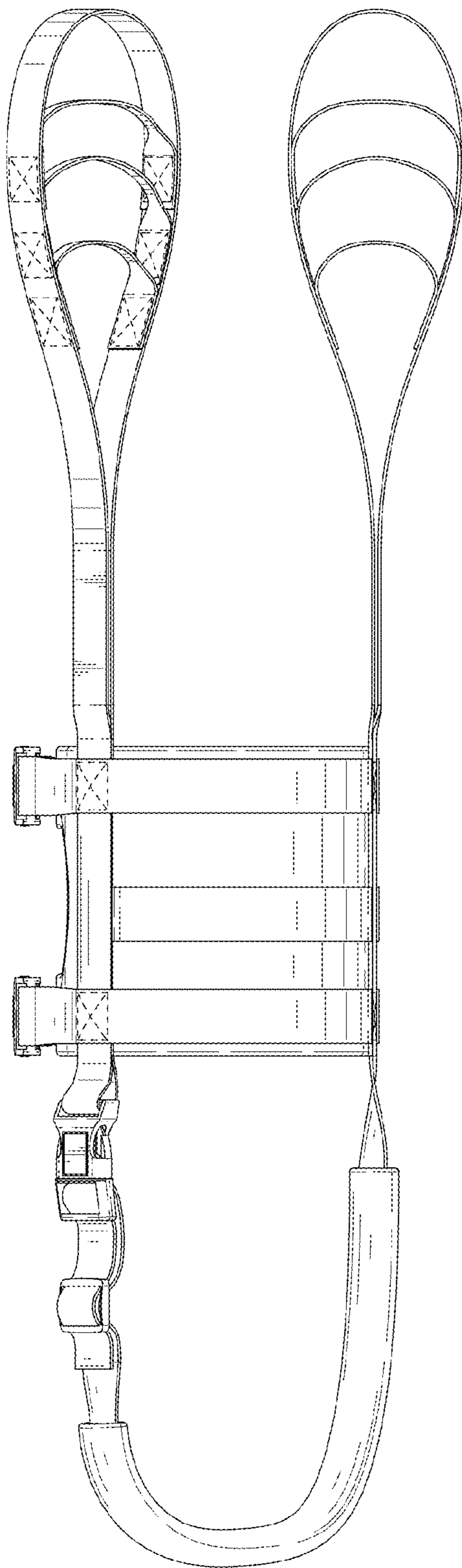


FIG. 6

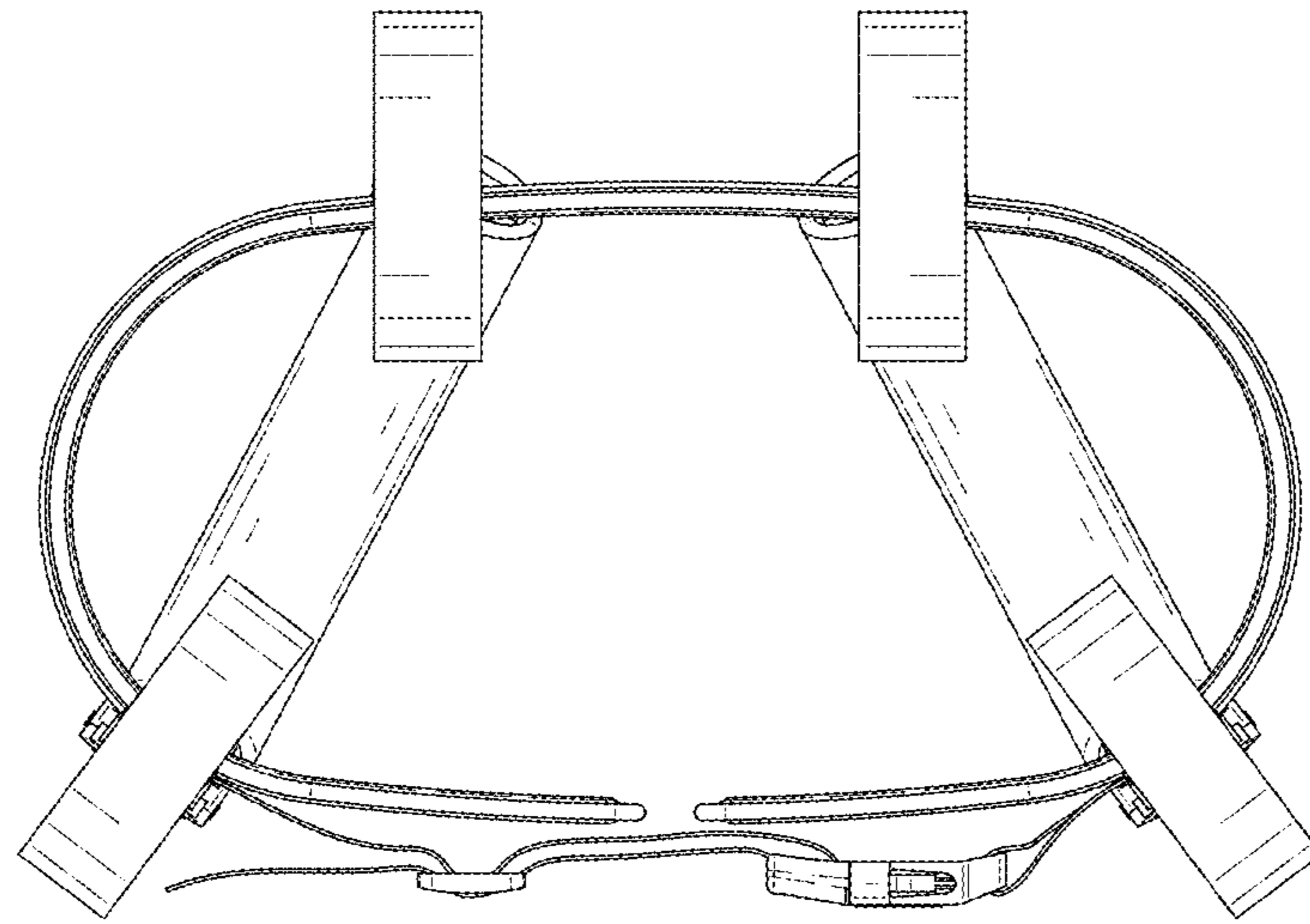


FIG. 7

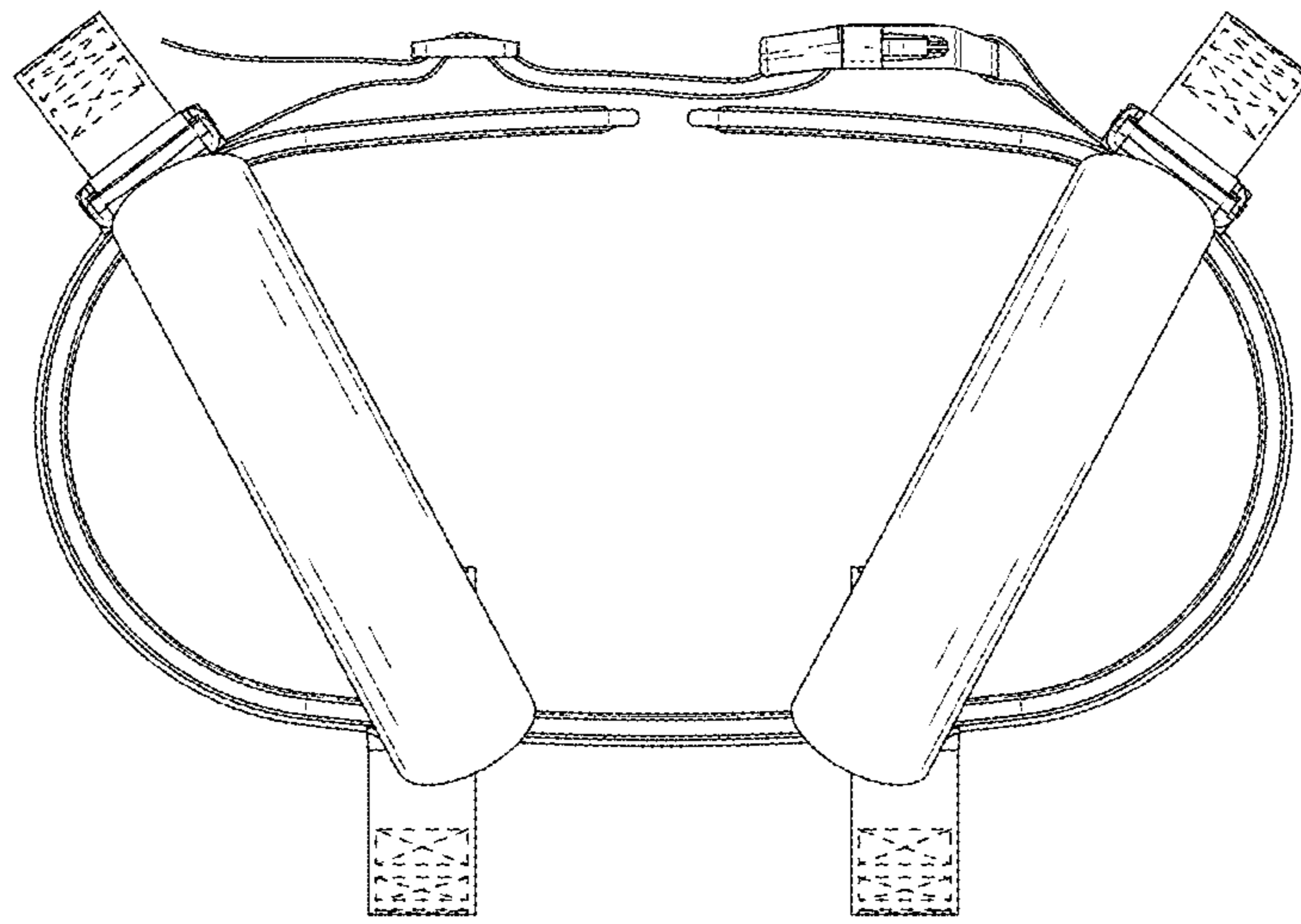


FIG. 8

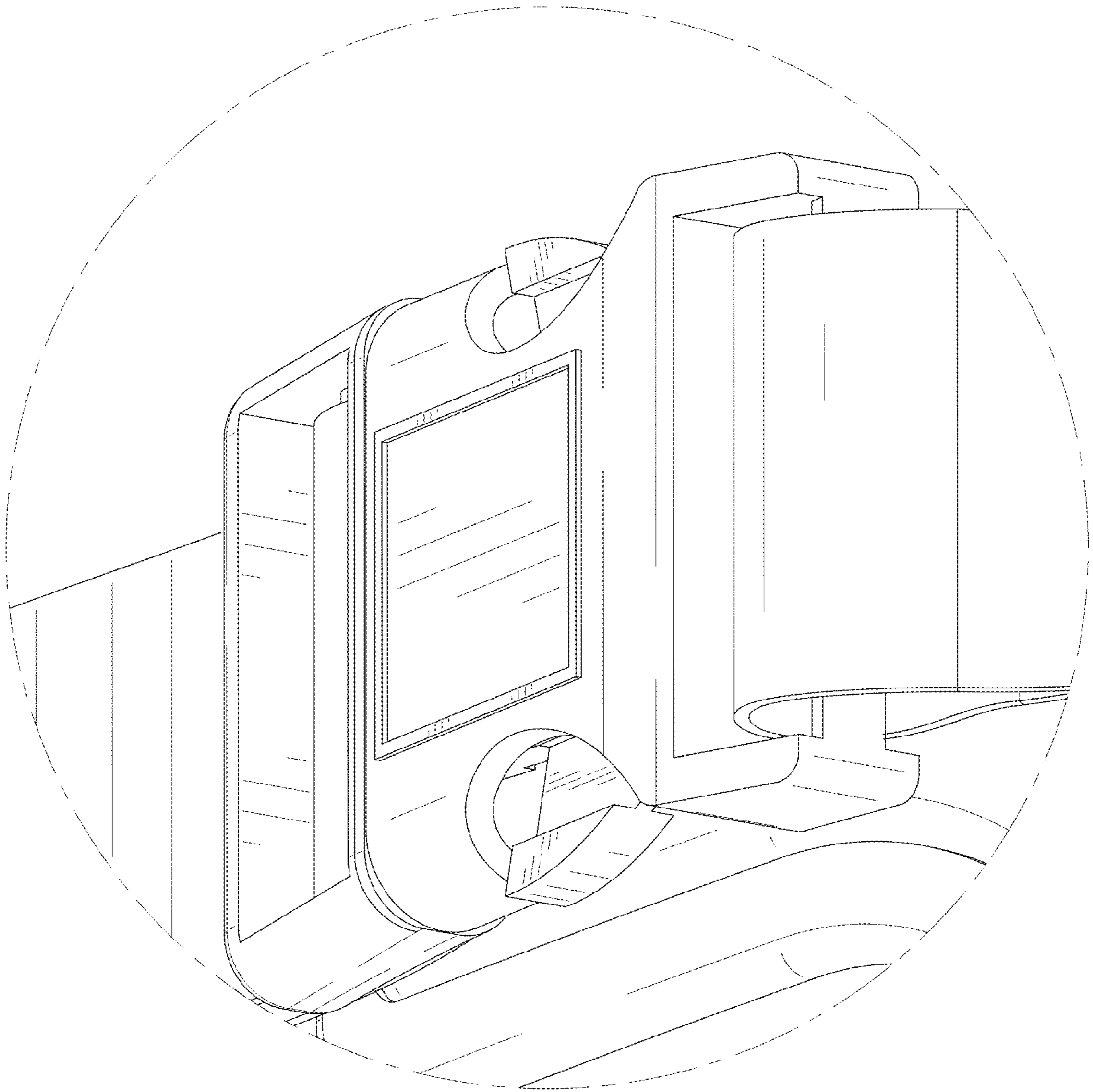


FIG. 9