



US00D987084S

(12) **United States Design Patent** (10) **Patent No.:** **US D987,084 S**
Pavini (45) **Date of Patent:** **** May 23, 2023**

(54) **PATIENT RESTRAINT SYSTEM**

FOREIGN PATENT DOCUMENTS

(71) Applicant: **Marie Pavini**, Chittenden, VT (US)

KR 301168120.0000 * 6/2022

(72) Inventor: **Marie Pavini**, Chittenden, VT (US)

Primary Examiner — T Chase Nelson

Assistant Examiner — Kelly L Gross

(**) Term: **15 Years**

(74) *Attorney, Agent, or Firm* — Downs Rachlin Martin PLLC

(21) Appl. No.: **29/774,481**

(22) Filed: **Mar. 17, 2021**

(57) **CLAIM**

The ornamental design for a patient restraint system, as shown and described.

(51) **LOC (14) Cl.** **24-02**

(52) **U.S. Cl.**
USPC **D24/183**

DESCRIPTION

(58) **Field of Classification Search**

USPC D24/190–192, 107, 108, 113, 114, 121,
D24/133, 183, 184, 186, 216, 222, 224,
D24/225, 226, 227, 228, 229, 230, 231,
D24/233; D34/28, 33, 35; D6/382, 383
CPC B01F 13/0025; B01J 2219/00292; B01J
2220/64; B01L 3/14; B01L 3/508–50825;
B01L 3/52–523

FIG. 1 is a perspective view of a patient restraint system showing my new design;
FIG. 2 is another perspective view thereof;
FIG. 3 is a further perspective view thereof;
FIG. 4 is a front view thereof;
FIG. 5 is a rear view thereof;
FIG. 6 is a side view thereof;
FIG. 7 is a second side view thereof;
FIG. 8 is a top view thereof;
FIG. 9 is a bottom view thereof;
FIG. 10 is a perspective view of another embodiment of a patient restraint system showing my new design;
FIG. 11 is another perspective view thereof;
FIG. 12 is a further perspective view thereof;
FIG. 13 is a front view thereof;
FIG. 14 is a rear view thereof;
FIG. 15 is a side view thereof;
FIG. 16 is a second side view thereof;
FIG. 17 is a top view thereof; and,
FIG. 18 is a bottom view thereof.

See application file for complete search history.

The broken lines in the Figures are for the purpose of illustrating unclaimed portions of the patient restraint system and form no part of the claimed design.

The shade lines in the Figures show contour and not surface ornamentation.

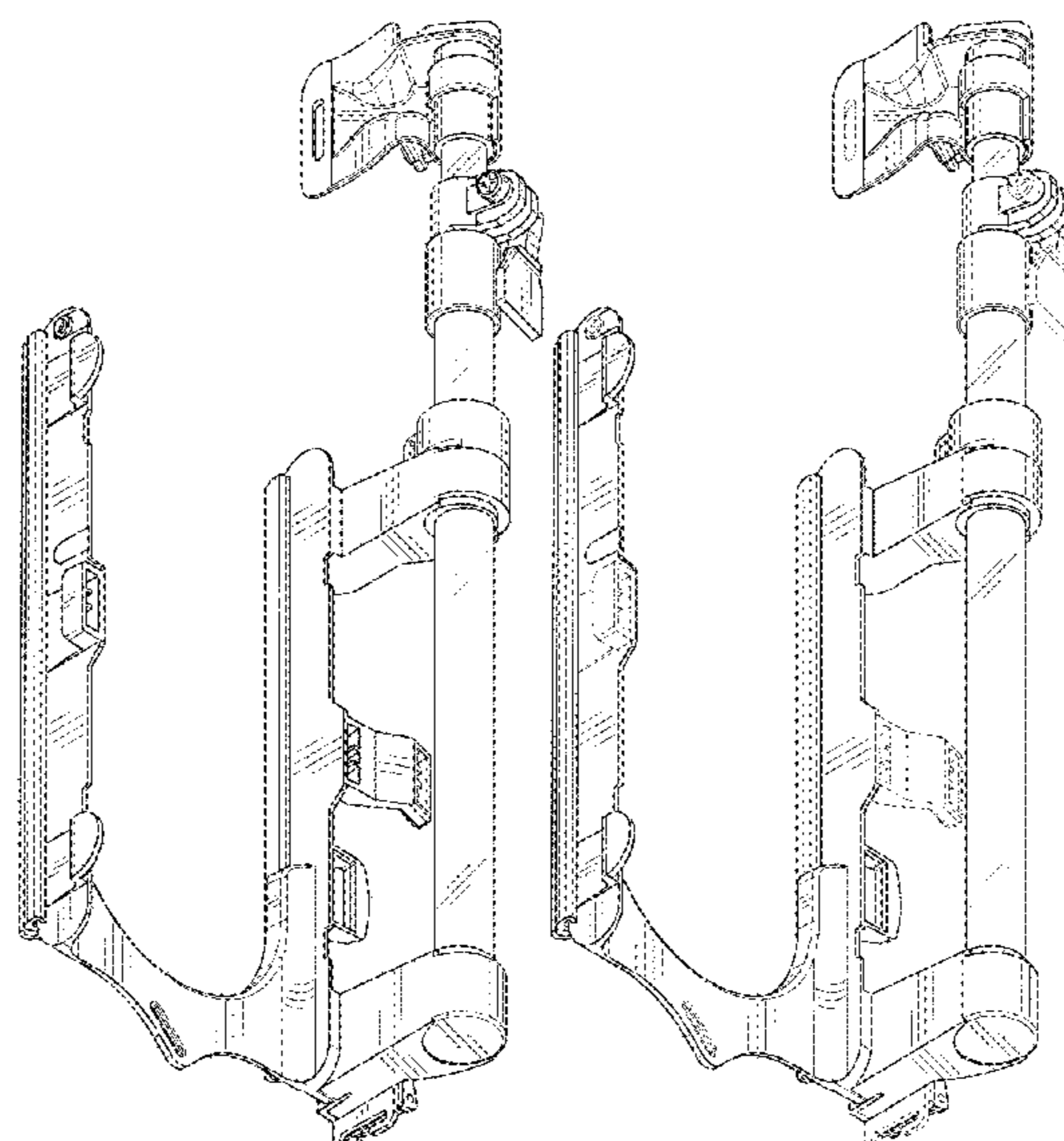
(56) **References Cited**

U.S. PATENT DOCUMENTS

D46,136 S *	7/1914	Nichols	D23/303
D209,040 S *	10/1967	Aleks et al.	D23/304
D214,543 S *	6/1969	Nightingale	D24/188
D303,577 S *	9/1989	Hammer	606/54
D359,562 S *	6/1995	Michelson	D24/184
D362,723 S *	9/1995	Mecham	D24/200
D376,241 S *	12/1996	Chapman	D34/33
5,599,256 A *	2/1997	Hughes, Jr.	A63B 21/0004 482/122
D470,581 S *	2/2003	Hoernig	D23/304
D477,863 S *	7/2003	Singtoroj	D23/304
D485,657 S *	1/2004	Lewis	D34/28
D495,380 S *	8/2004	Ceppo	D21/686
7,287,288 B2 *	10/2007	Walker	A61G 7/1074 5/89.1
D586,898 S *	2/2009	Lammel	D23/304

(Continued)

1 Claim, 18 Drawing Sheets



(56)

References Cited

U.S. PATENT DOCUMENTS

D633,214 S * 2/2011 Smits D24/190
8,088,052 B1 * 1/2012 Sprague A63B 26/003
482/141
D706,428 S * 6/2014 Manzo D24/188
D794,205 S * 8/2017 Naber D12/14
D798,971 S * 10/2017 Ho D21/687
D800,322 S * 10/2017 Browning D24/188
D803,997 S * 11/2017 Bodman D23/309
D813,140 S * 3/2018 Stent D12/223
D817,497 S * 5/2018 Ku D10/101
D833,623 S * 11/2018 Naber D12/14
D848,002 S * 5/2019 Simson D24/183
D849,160 S * 5/2019 Lau D21/686
D850,543 S * 6/2019 Lau D21/686
D867,607 S * 11/2019 Nash D24/200
D875,950 S * 2/2020 Naber D24/184
D876,635 S * 2/2020 Simson D24/183
D905,263 S * 12/2020 Paczewski D24/215
D928,967 S * 8/2021 Cambridge D24/184
D950,739 S * 5/2022 Francez D24/188
D952,069 S * 5/2022 Adams D21/686
D955,851 S * 6/2022 Elser D8/301
D960,167 S * 8/2022 Ubbsen D24/186
D961,701 S * 8/2022 Won D21/686
D963,083 S * 9/2022 Dunahay D21/694
D967,739 S * 10/2022 Ding D12/130
2021/0339075 A1 * 11/2021 Listro A63B 1/00

* cited by examiner

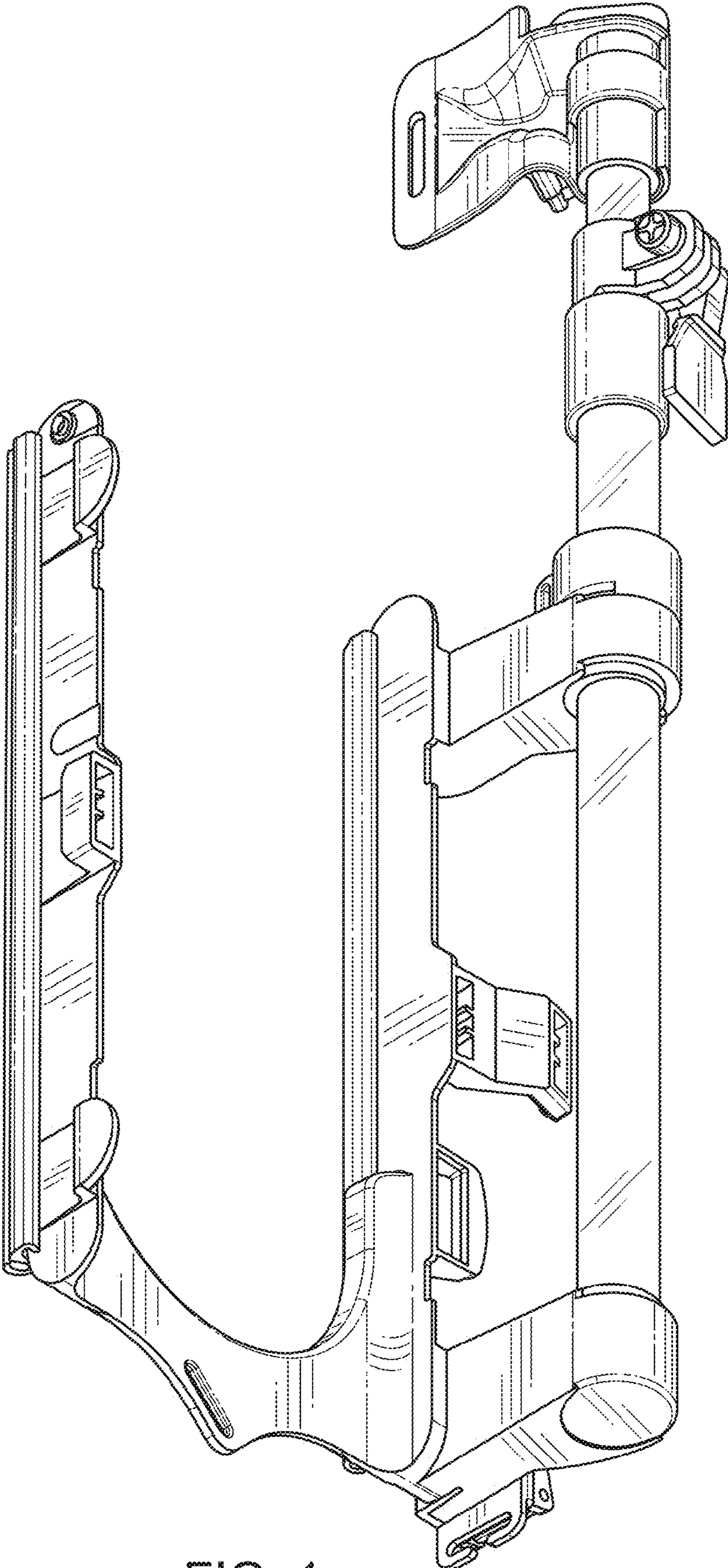


FIG. 1

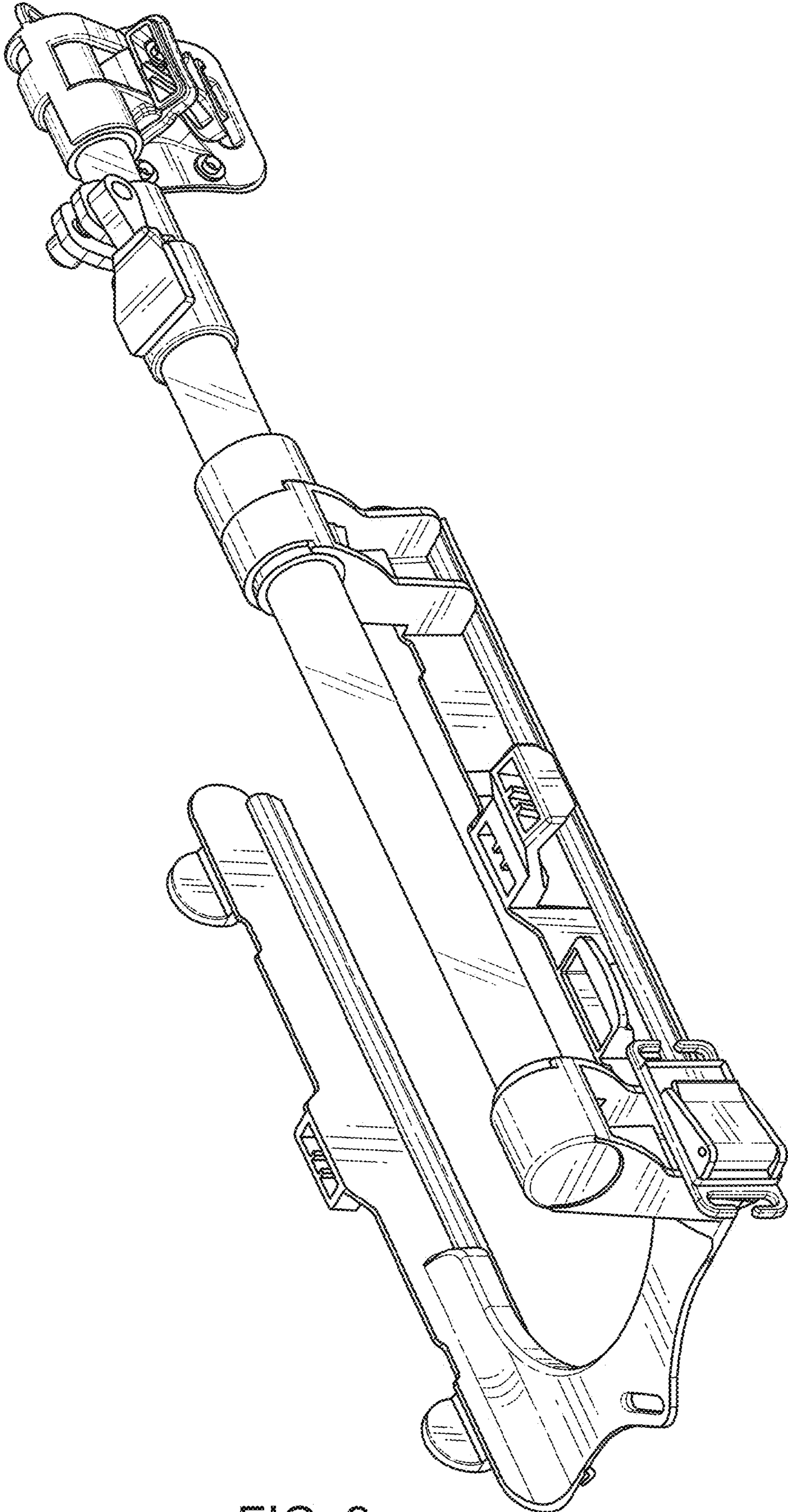


FIG. 2

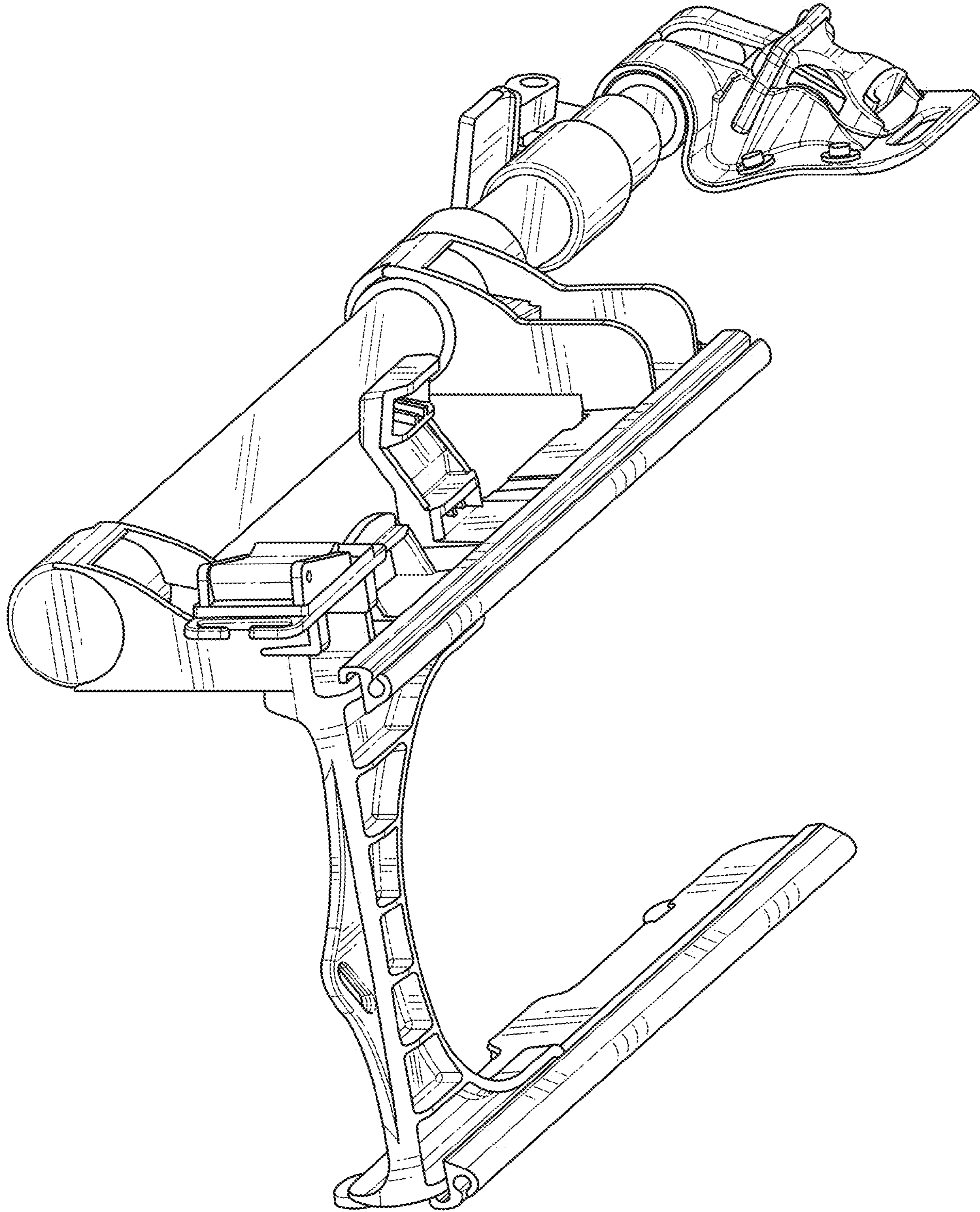


FIG. 3

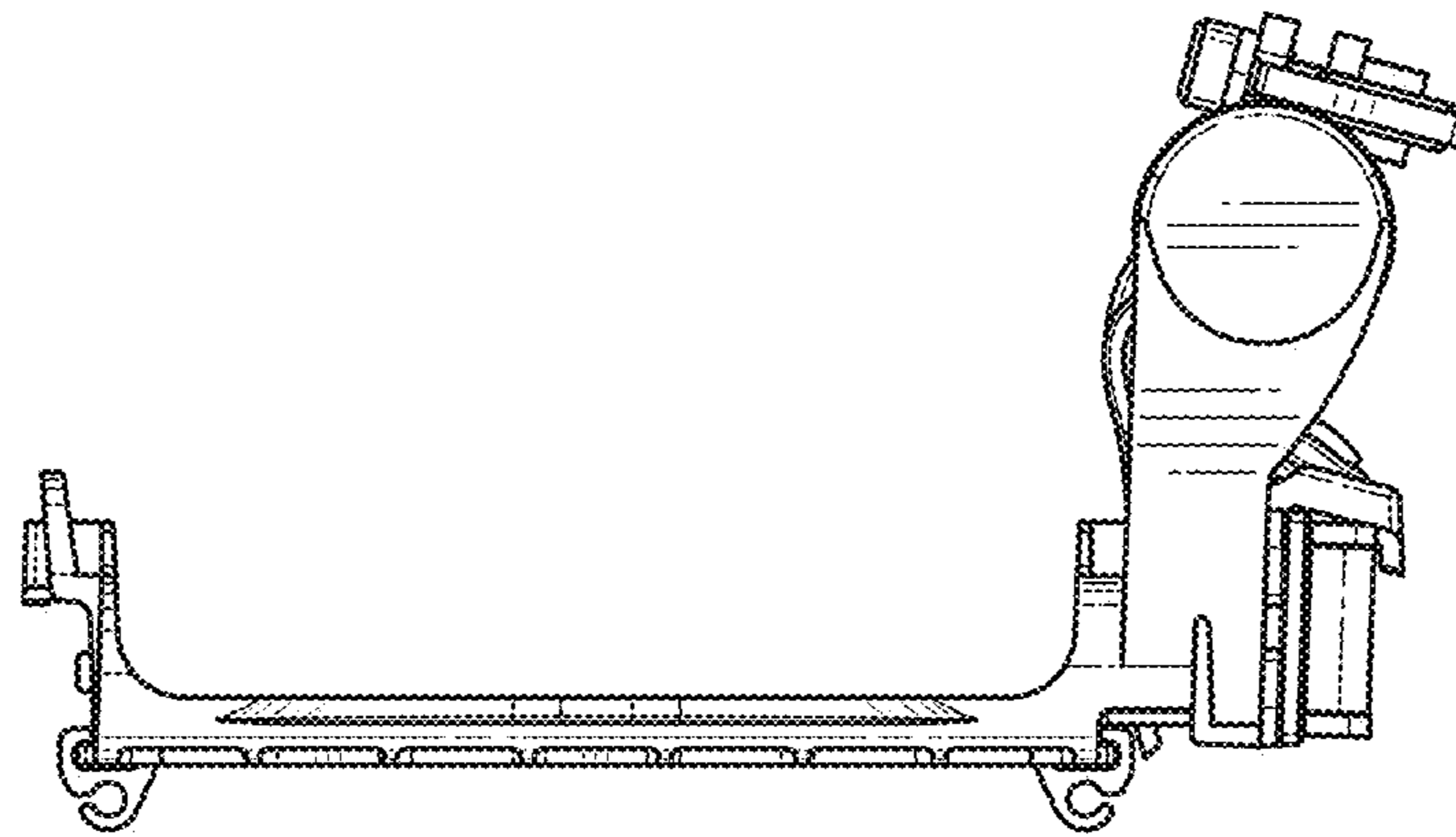


FIG. 4

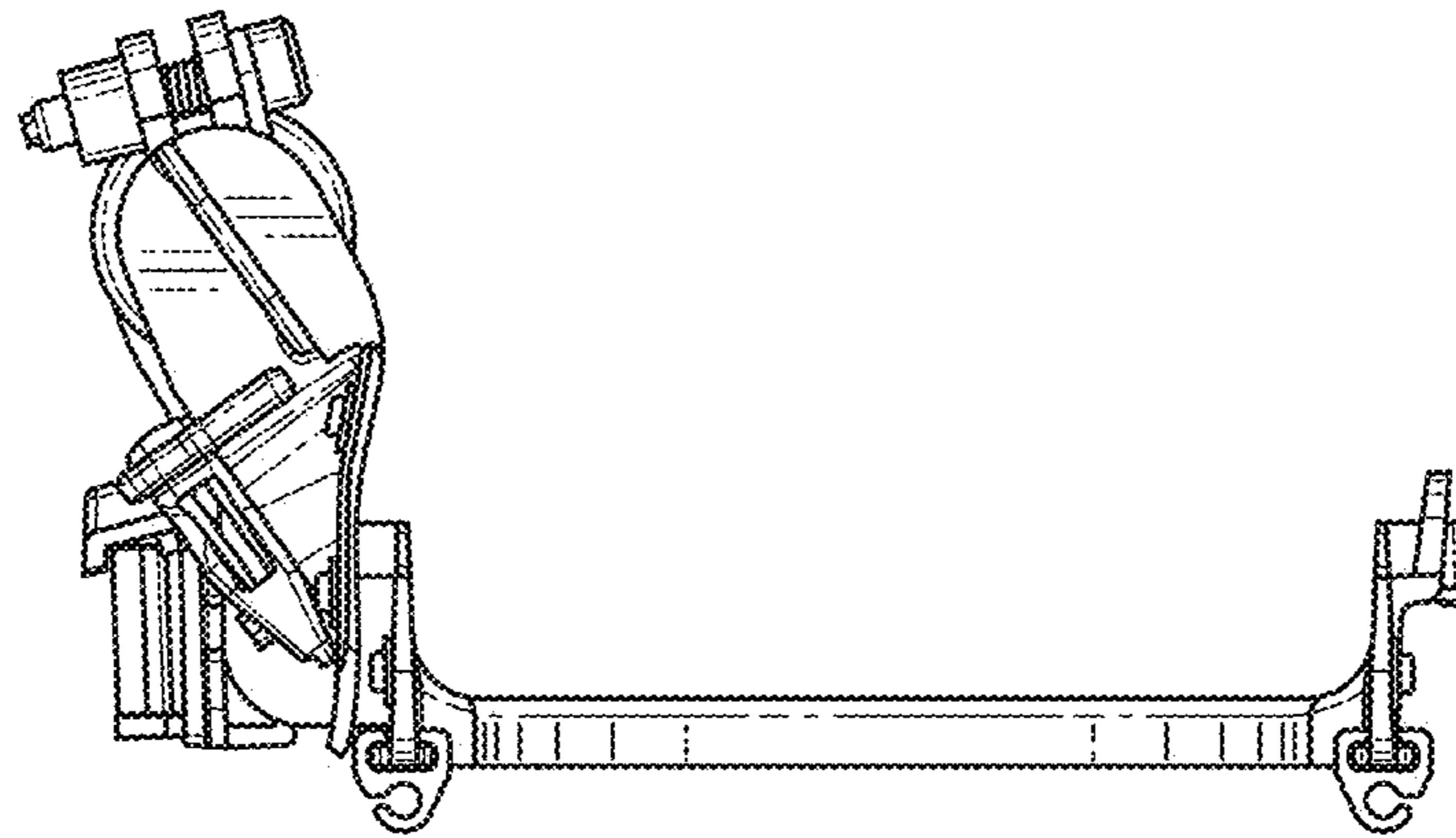


FIG. 5

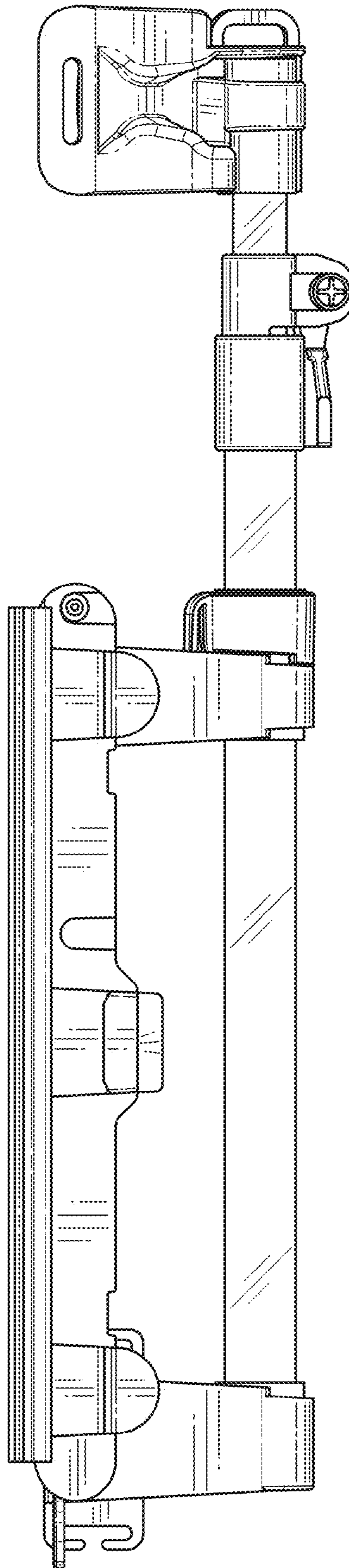


FIG. 6

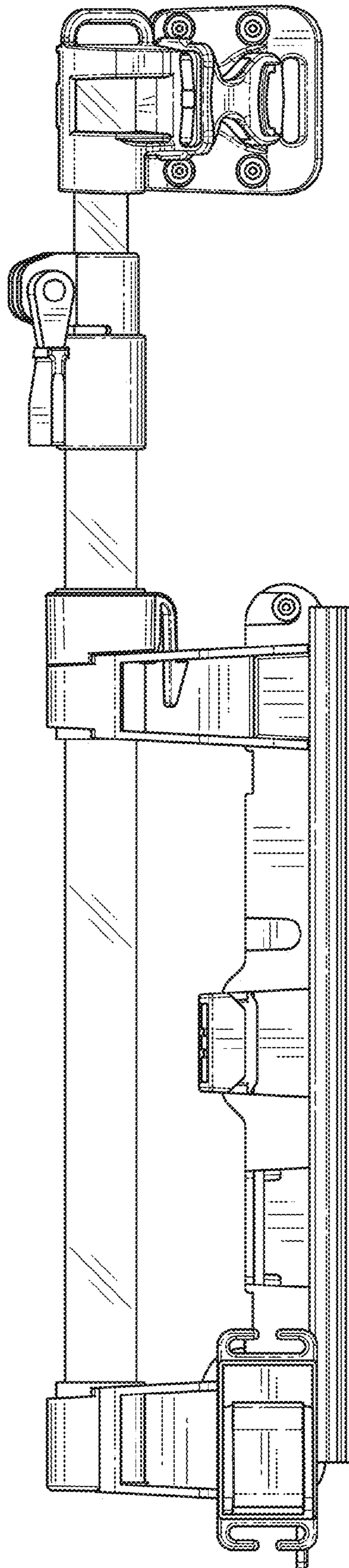


FIG. 7

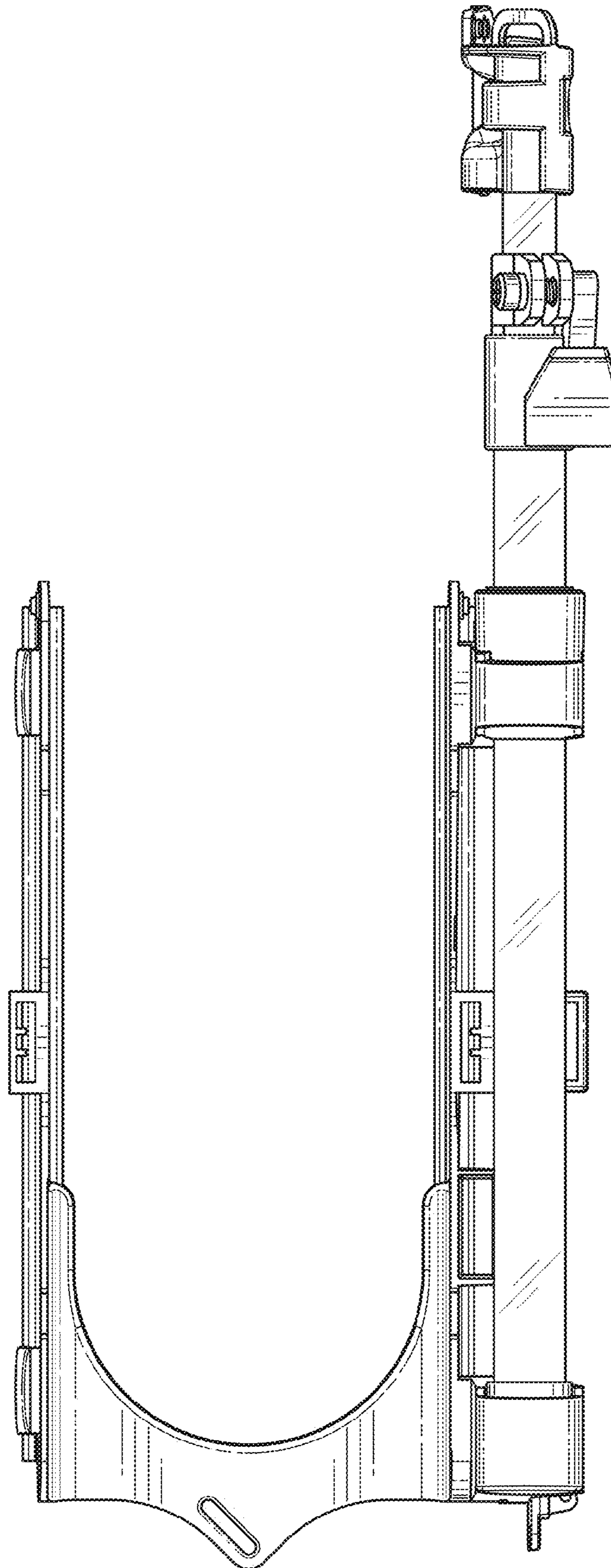


FIG. 8

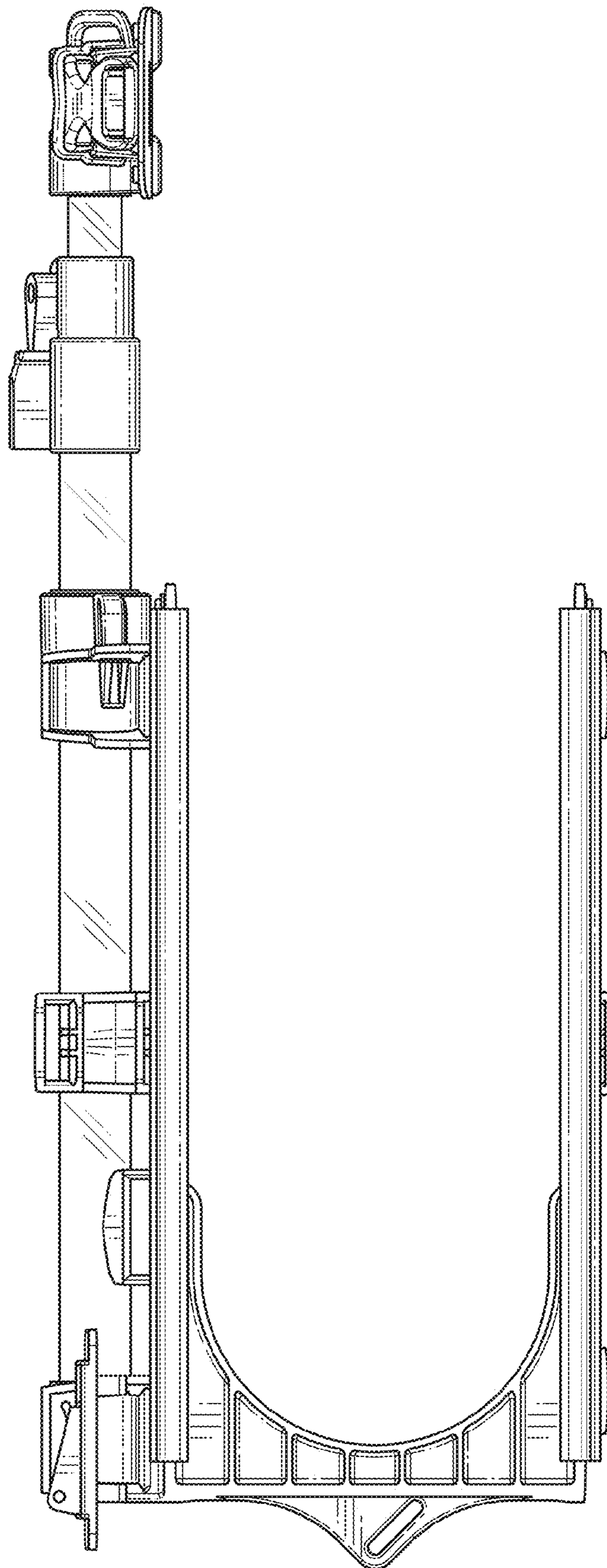


FIG. 9

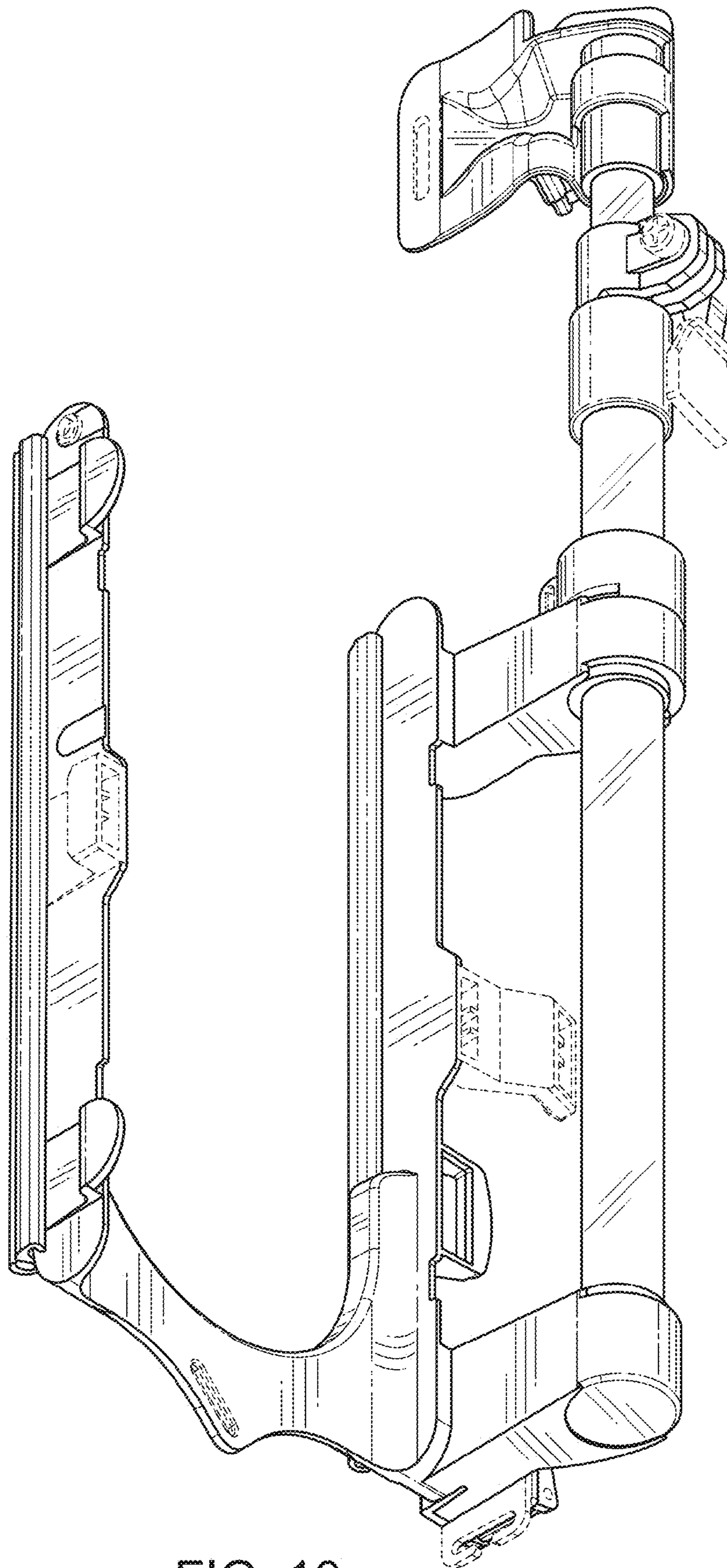


FIG. 10

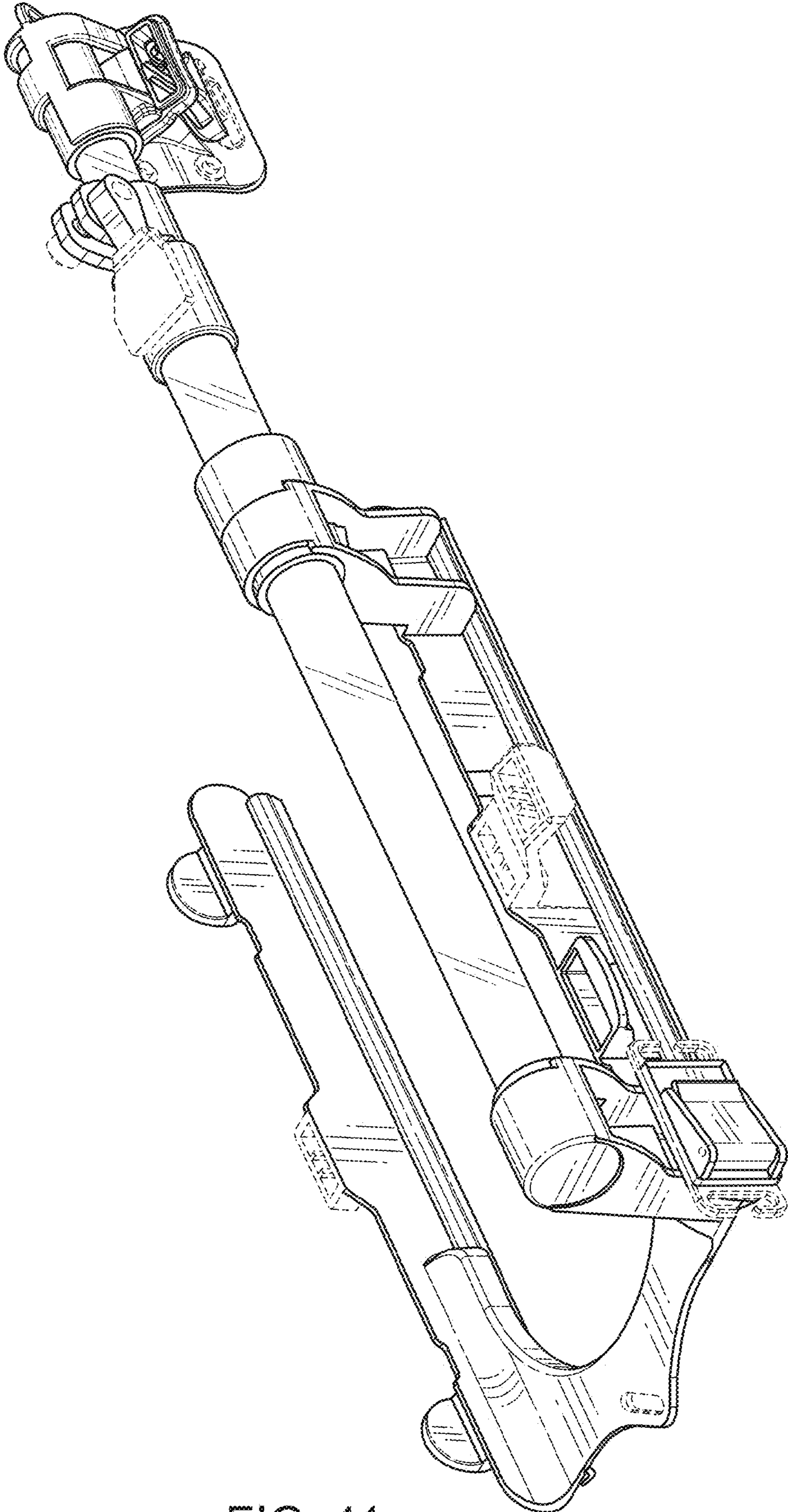


FIG. 11

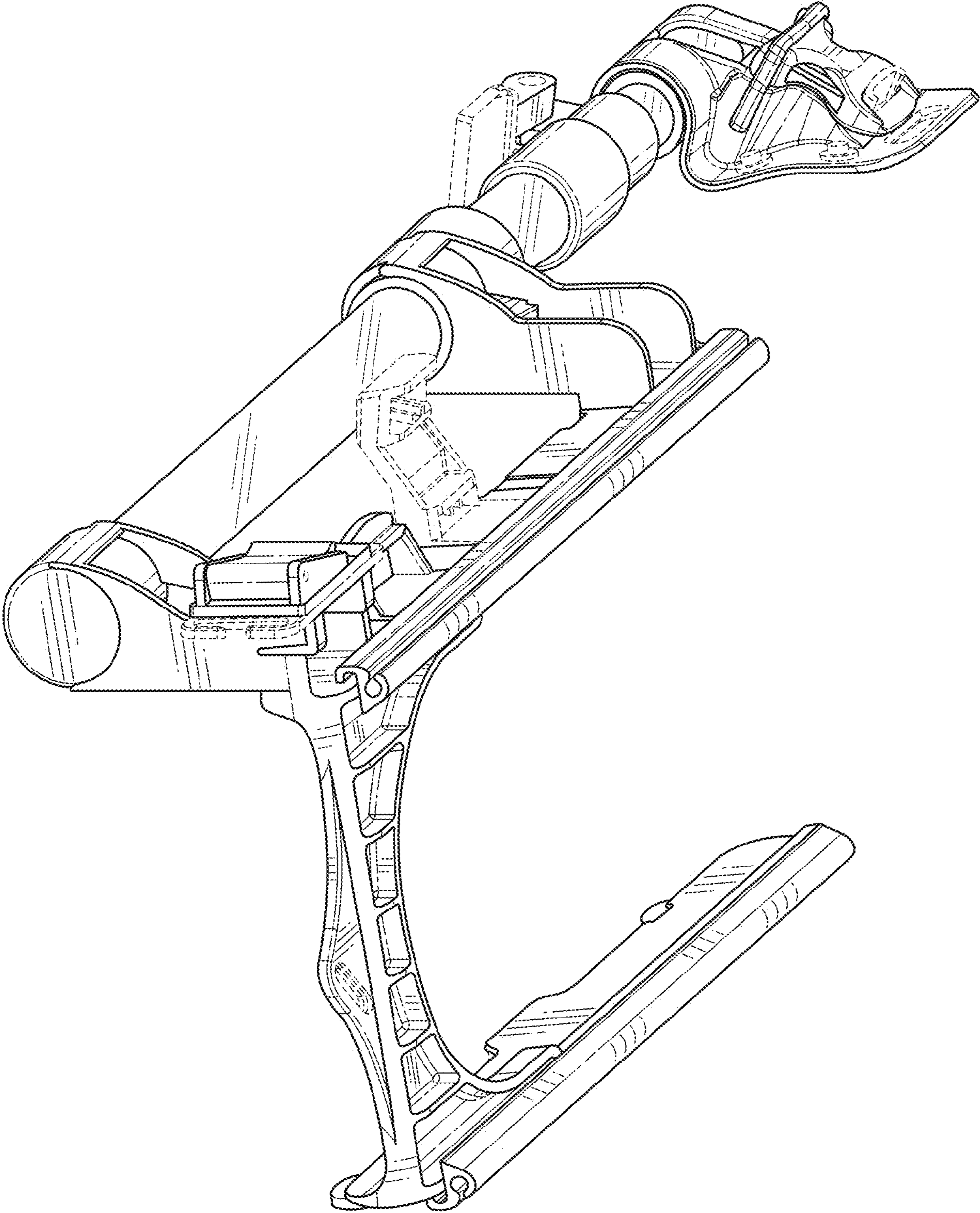


FIG. 12

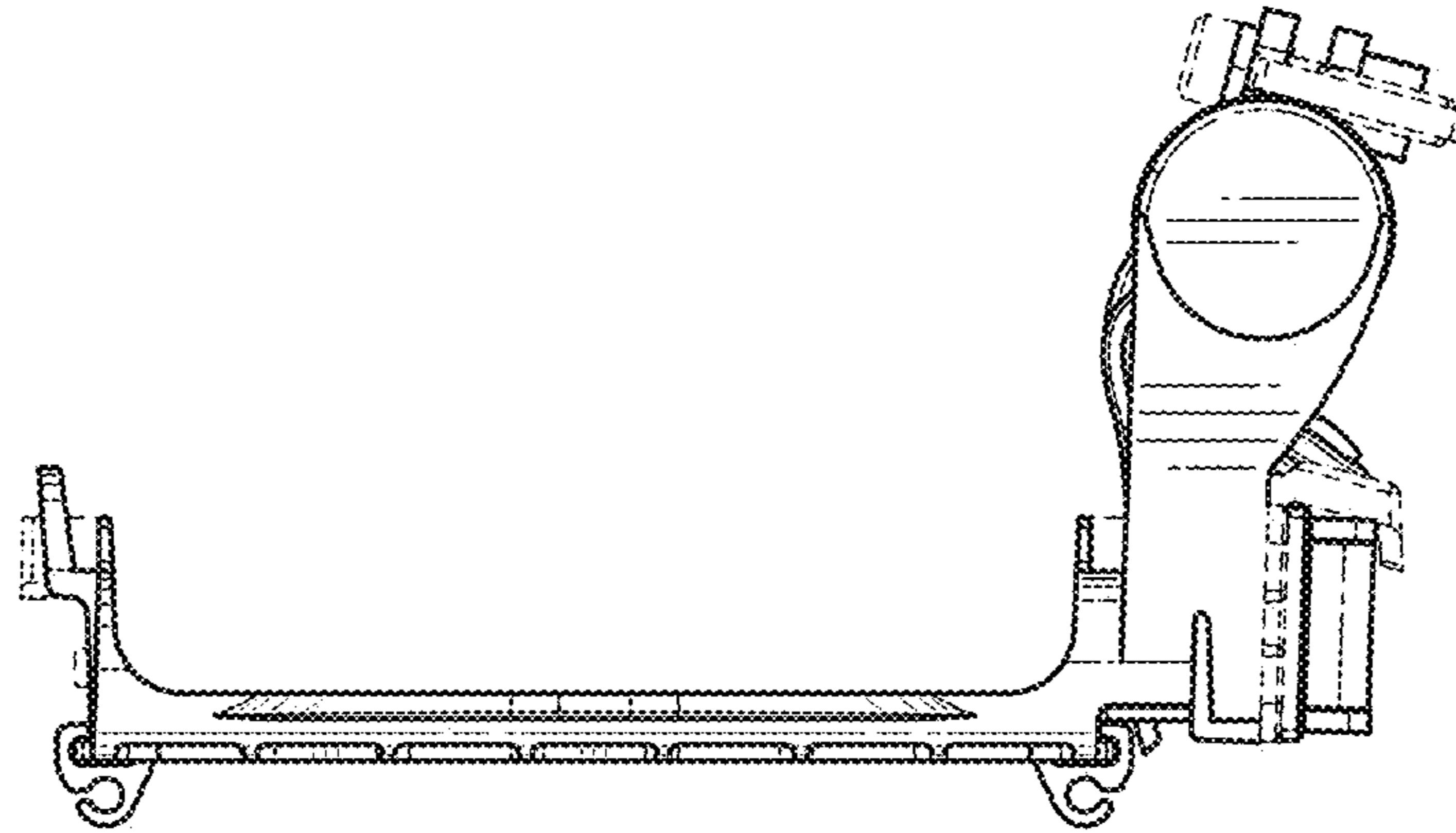


FIG. 13

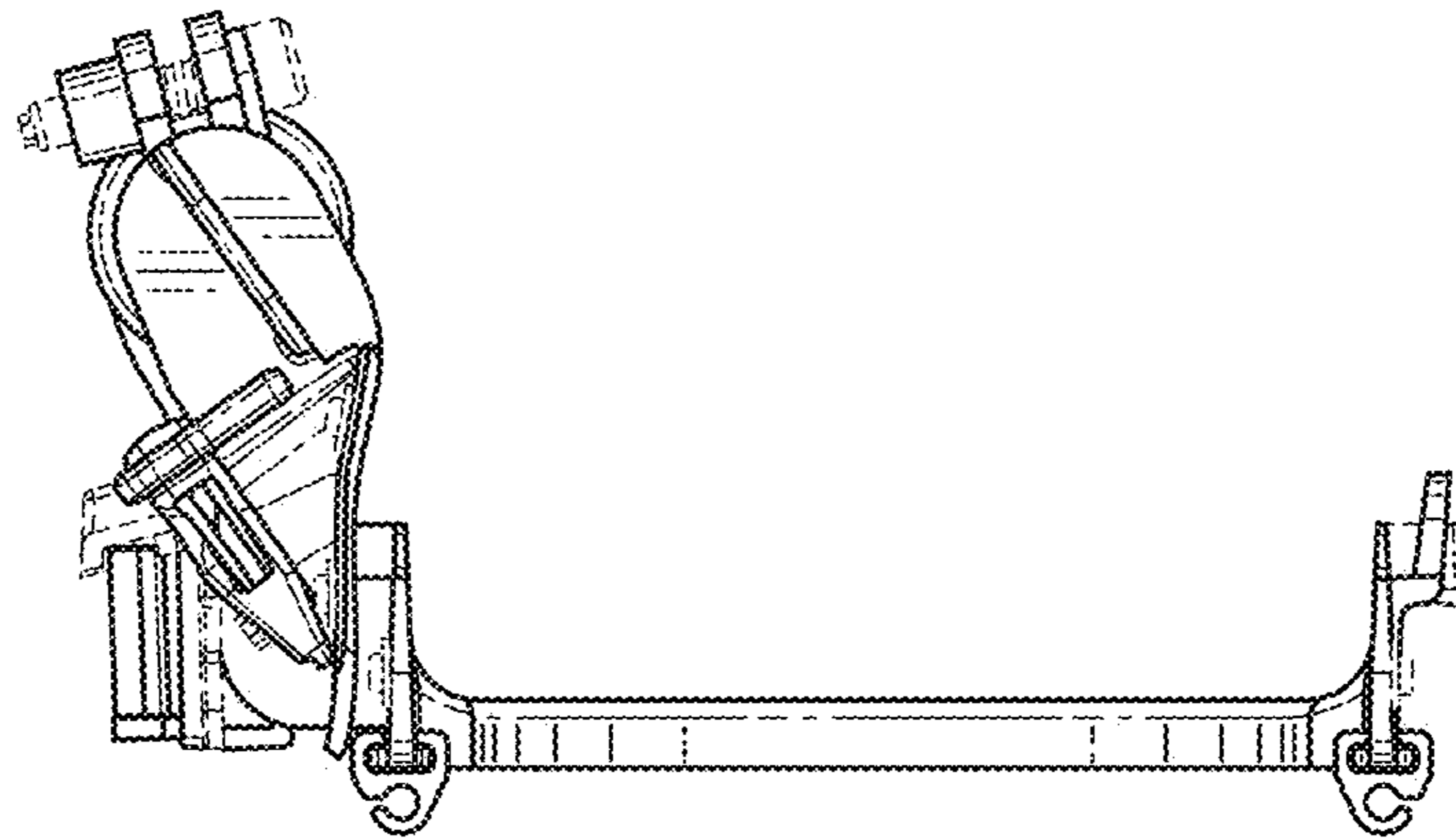


FIG. 14

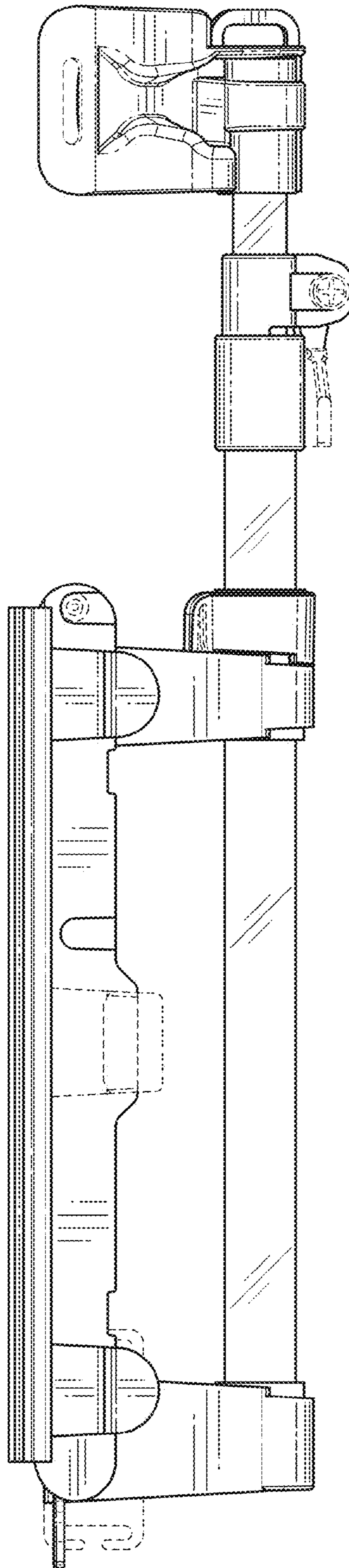


FIG. 15

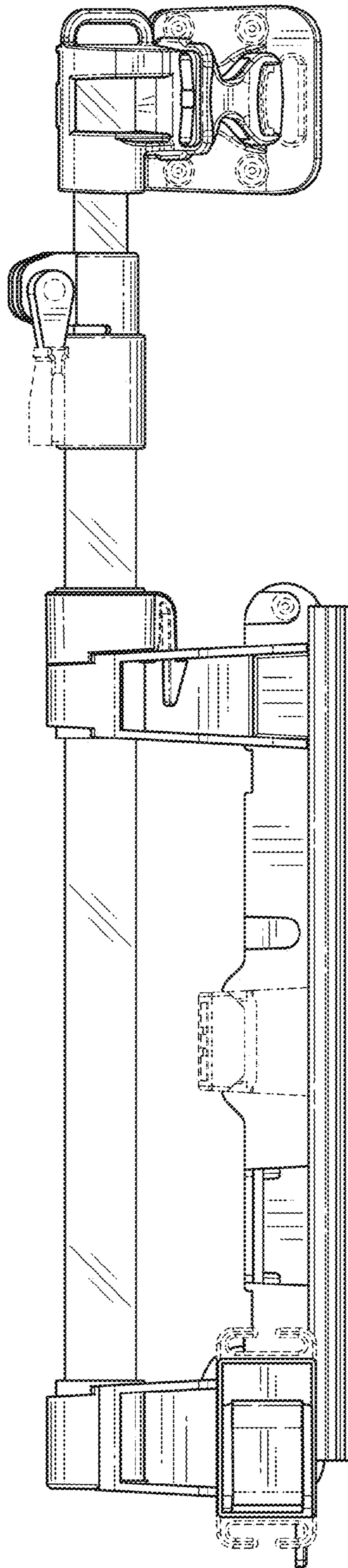


FIG. 16

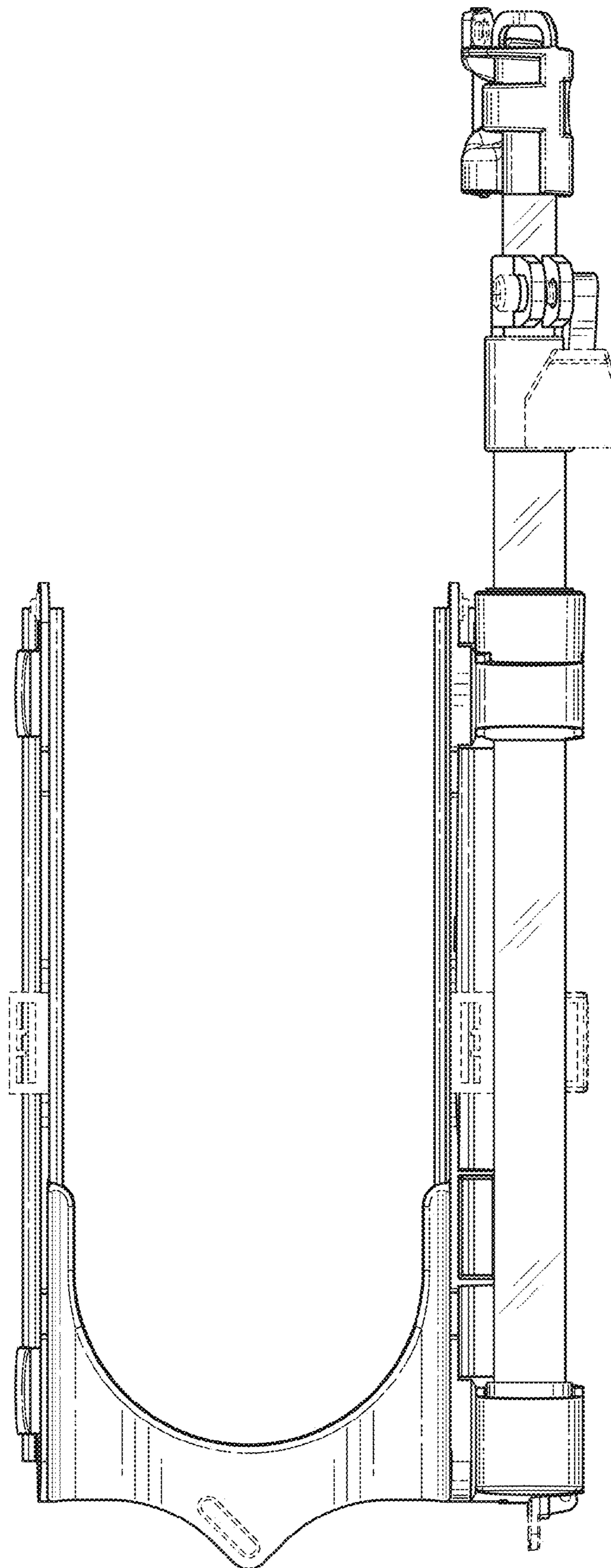


FIG. 17

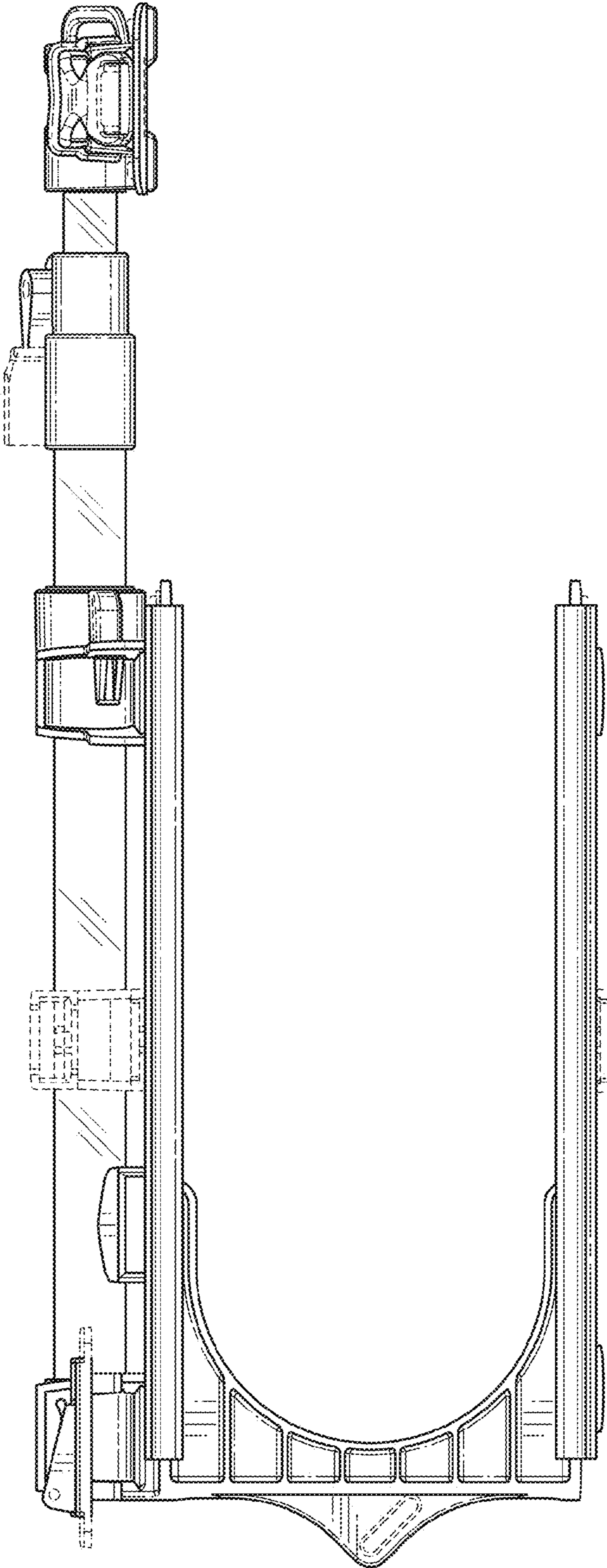


FIG. 18