



US00D987082S

(12) **United States Design Patent** (10) **Patent No.:** **US D987,082 S**
Li (45) **Date of Patent:** **** May 23, 2023**

(54) **BLOOD PRESSURE MONITOR**
(71) Applicant: **Shenzhen Finicare Co., Ltd.**, Shenzhen (CN)
(72) Inventor: **Chao Li**, Shenzhen (CN)
(73) Assignee: **Shenzhen Finicare Co., Ltd.**, Shenzhen (CN)
(**) Term: **15 Years**
(21) Appl. No.: **29/882,399**
(22) Filed: **Jan. 13, 2023**
(51) **LOC (14) Cl.** **24-02**
(52) **U.S. Cl.**
USPC **D24/165**
(58) **Field of Classification Search**
USPC D24/165, 166–169, 185, 186, 200, 107;
D14/402, 407, 408
CPC A61B 5/02; A61B 5/0205; A61B 5/021;
A61B 5/02141; A61B 5/022; A61B
5/024; A61B 5/02438; A61B 5/026; A61B
2560/0406; A61B 2560/0462
See application file for complete search history.

D818,129 S * 5/2018 Heine D24/165
D884,903 S * 5/2020 Cadio D24/169
D889,660 S * 7/2020 Xia D24/165
D921,904 S * 6/2021 Cadio D24/169
D922,580 S * 6/2021 Cao D24/165
D933,232 S * 10/2021 Al-Ali D24/165
D957,638 S * 7/2022 Inoue D24/167
(Continued)

OTHER PUBLICATIONS

Ozeri BP9W Arm Blood Pressure Monitor with Split-Screen Hypertension Color Alert Technology. Amazon. Date first available: Sep. 21, 2020. Retrieval date: Mar. 25, 2023. Retrieved from internet: <https://www.amazon.com/Ozeri-BP9W-Split-Screen-Hypertension-Technology/dp/B08KB7287W> (Year: 2020).*
(Continued)

Primary Examiner — Daniel J Domino
Assistant Examiner — Lee D. Starr
(74) *Attorney, Agent, or Firm* — Jeenam Park

(57) **CLAIM**

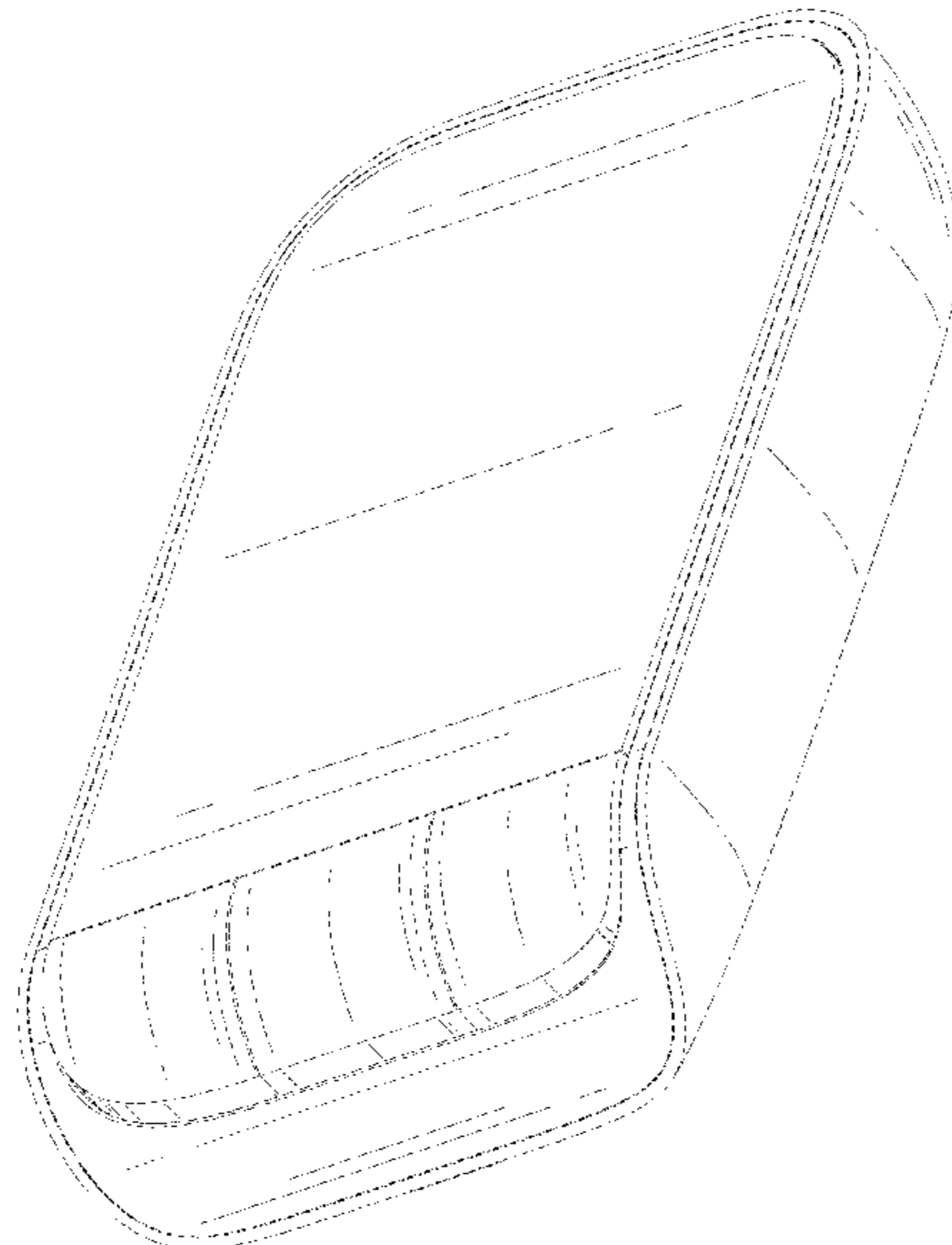
The ornamental design for a blood pressure monitor, as shown and described.

DESCRIPTION

FIG. 1 is a front, right and bottom perspective view of a blood pressure monitor, showing my new design;
FIG. 2 is a rear, left and top perspective view thereof;
FIG. 3 is a front view thereof;
FIG. 4 is a rear view thereof;
FIG. 5 is a left side view thereof;
FIG. 6 is a right side view thereof;
FIG. 7 is a top plan view thereof; and,
FIG. 8 is a bottom plan view thereof.
The broken lines shown in the drawings illustrate portions of the blood pressure monitor that form no part of the claimed design.

1 Claim, 8 Drawing Sheets

(56) **References Cited**
U.S. PATENT DOCUMENTS
D547,760 S * 7/2007 Choo D14/407
D562,457 S 2/2008 Ferber
D569,001 S * 5/2008 Omaki D24/186
D569,521 S 5/2008 Omaki
D577,440 S * 9/2008 Ferber D24/165
D582,043 S * 12/2008 Koike D24/165
D627,068 S * 11/2010 Brauer D24/169
D663,421 S * 7/2012 Steiner D24/169
D721,177 S * 1/2015 Ahlstrom D24/169
D744,656 S * 12/2015 Schempp D24/165
D747,489 S * 1/2016 Ahlstrom D24/169
D778,445 S * 2/2017 Cadio D24/169
D811,596 S 2/2018 Verbrugge



(56)

References Cited

U.S. PATENT DOCUMENTS

D965,789 S * 10/2022 Al-Ali D24/165
D979,066 S * 2/2023 Wang D24/165
D979,067 S * 2/2023 Li D24/165
D979,068 S * 2/2023 Li D24/165
D979,756 S * 2/2023 Wang D24/165
2006/0235311 A1* 10/2006 Chan A61B 5/681
600/490

OTHER PUBLICATIONS

Blood Pressure Monitor Wrist Blood Pressure Machine Digital by
Nouyan. Amazon. Date first available: Apr. 15, 2022. Retrieval date:
Mar. 25, 2023. Retrieved from internet: [https://www.amazon.com/
Pressure-Automatic-Backlight-Adjustable-Included/dp/
B0BJVKD24Z](https://www.amazon.com/Pressure-Automatic-Backlight-Adjustable-Included/dp/B0BJVKD24Z) (Year: 2022).*

* cited by examiner

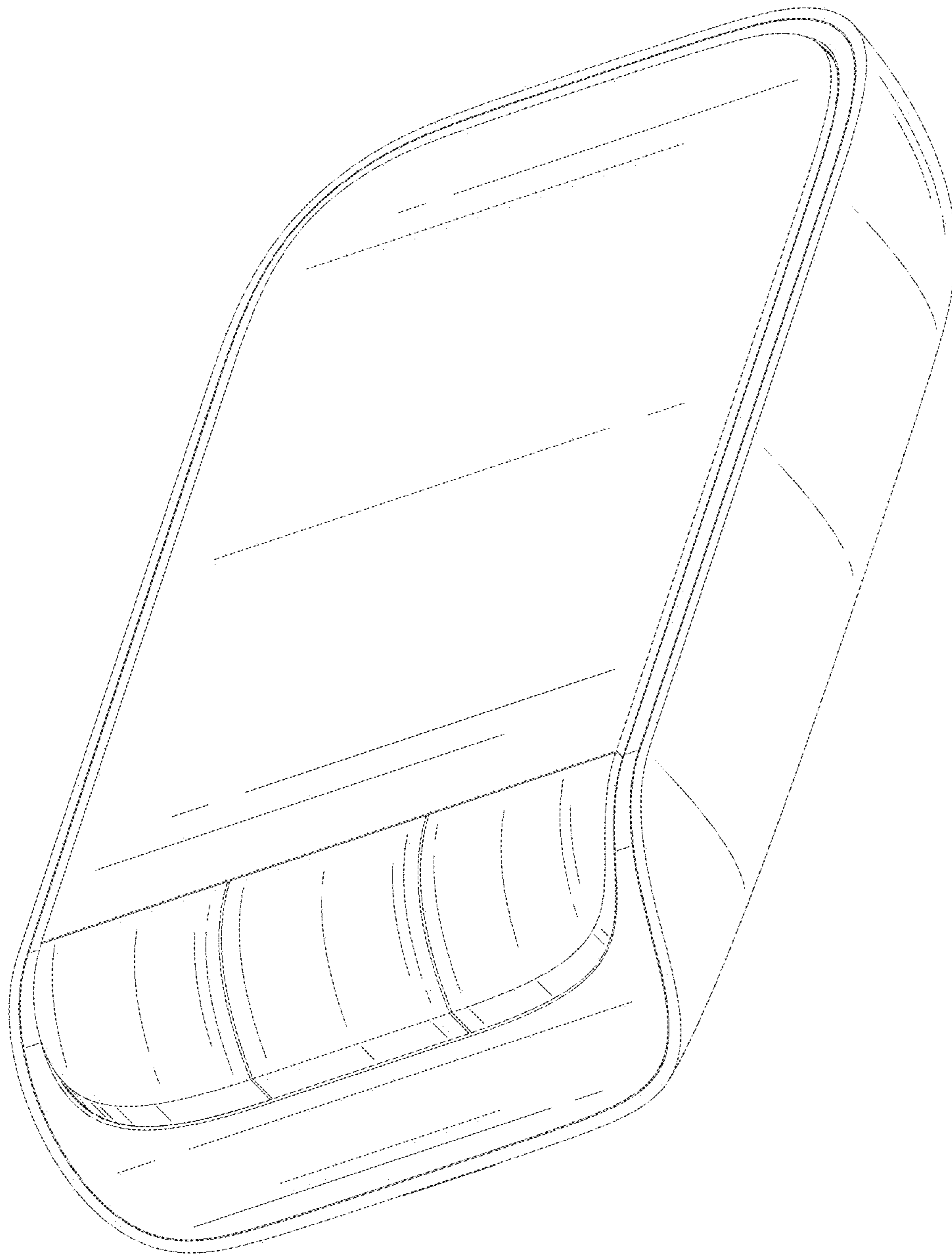


FIG. 1

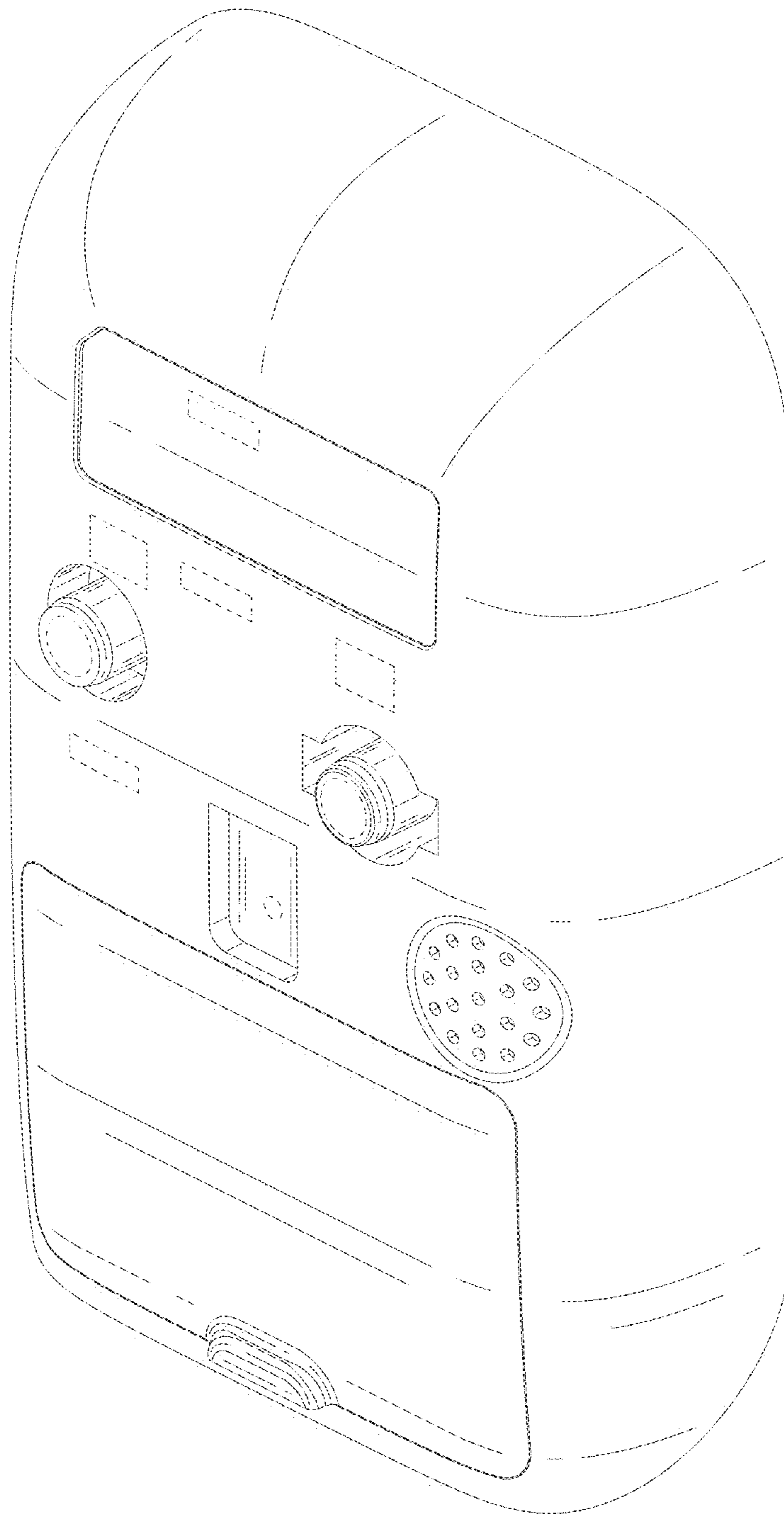


FIG. 2

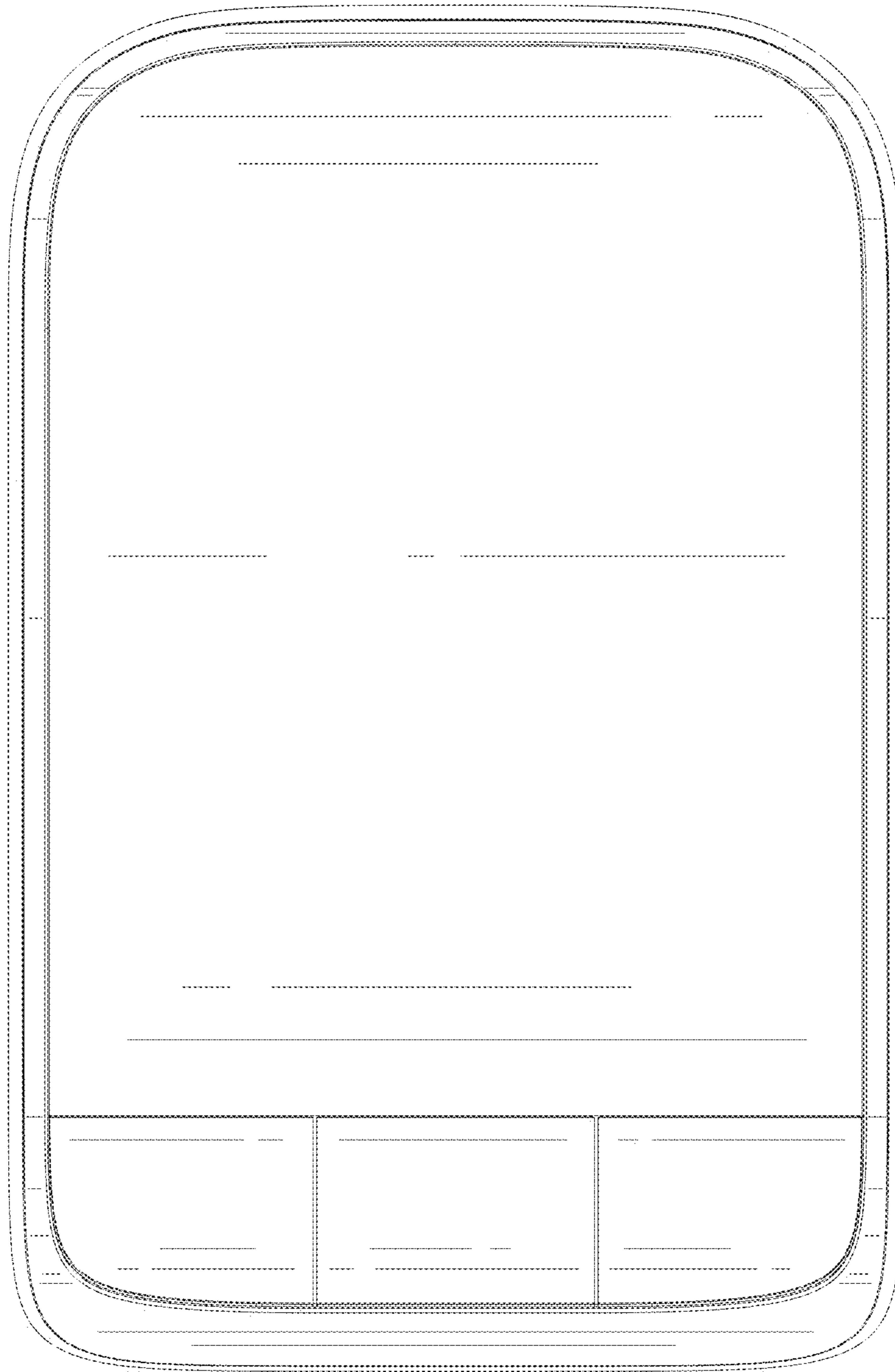


FIG. 3

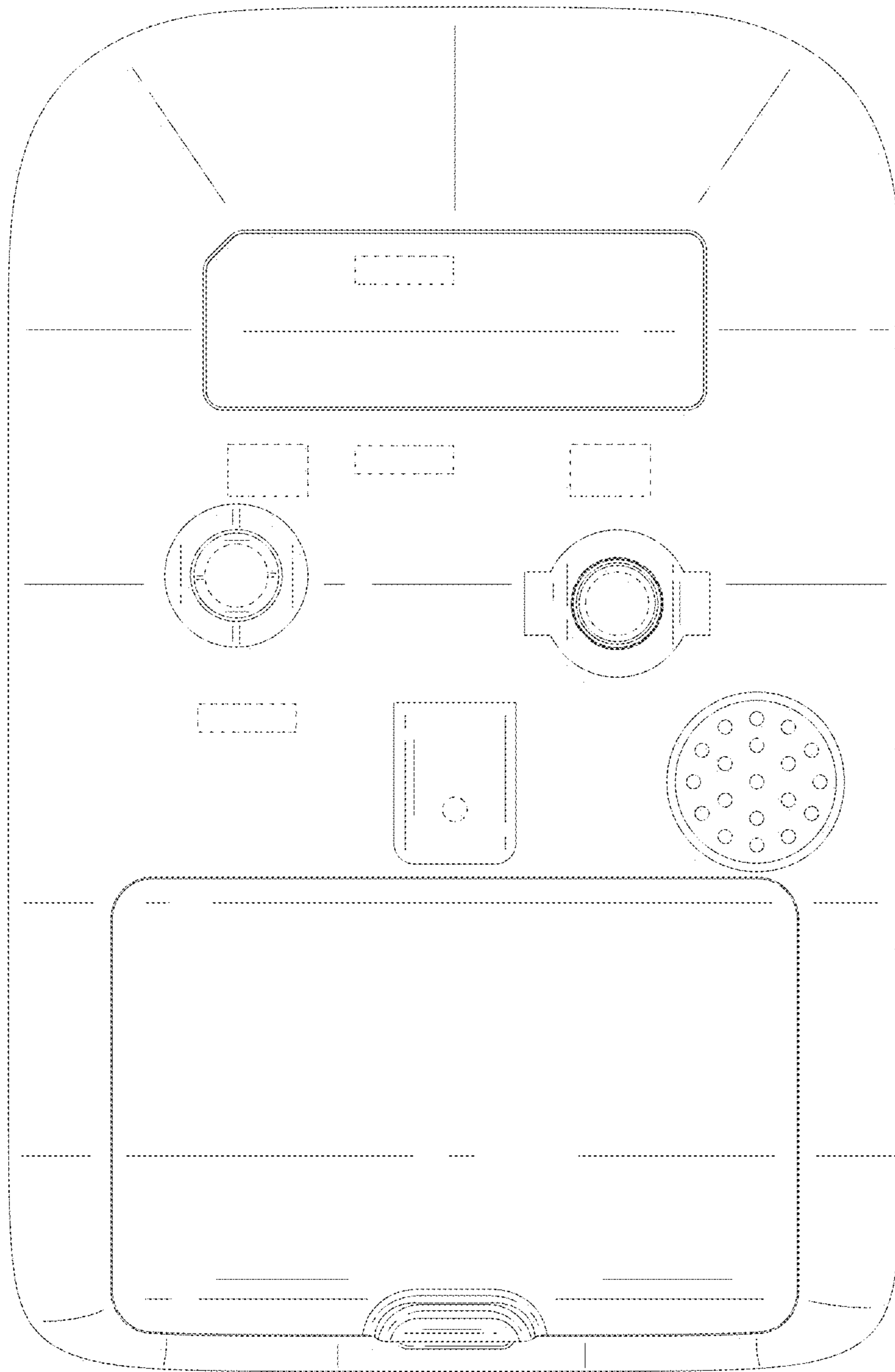


FIG. 4

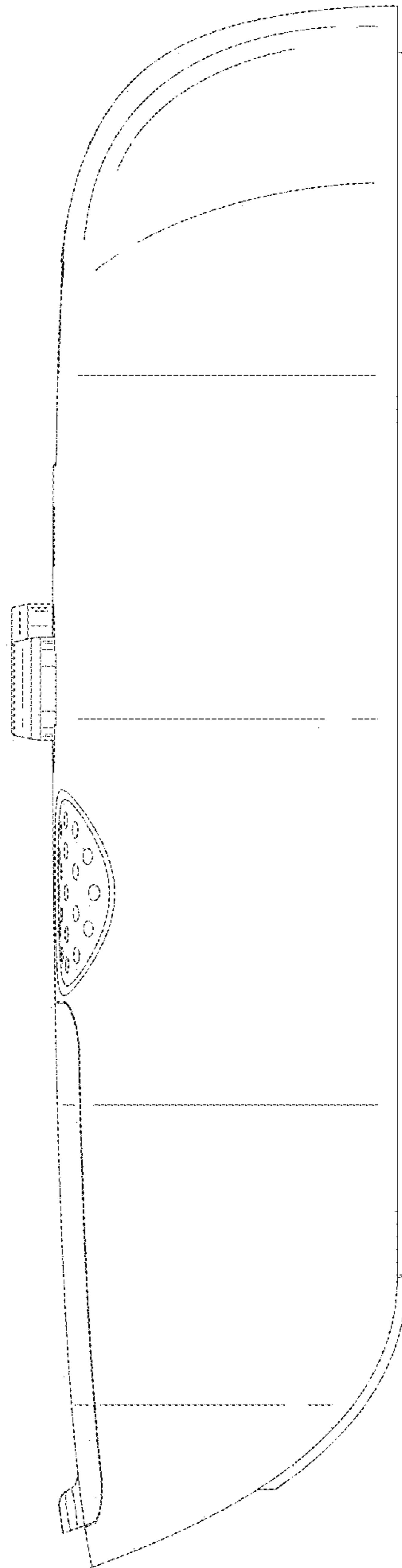


FIG. 5

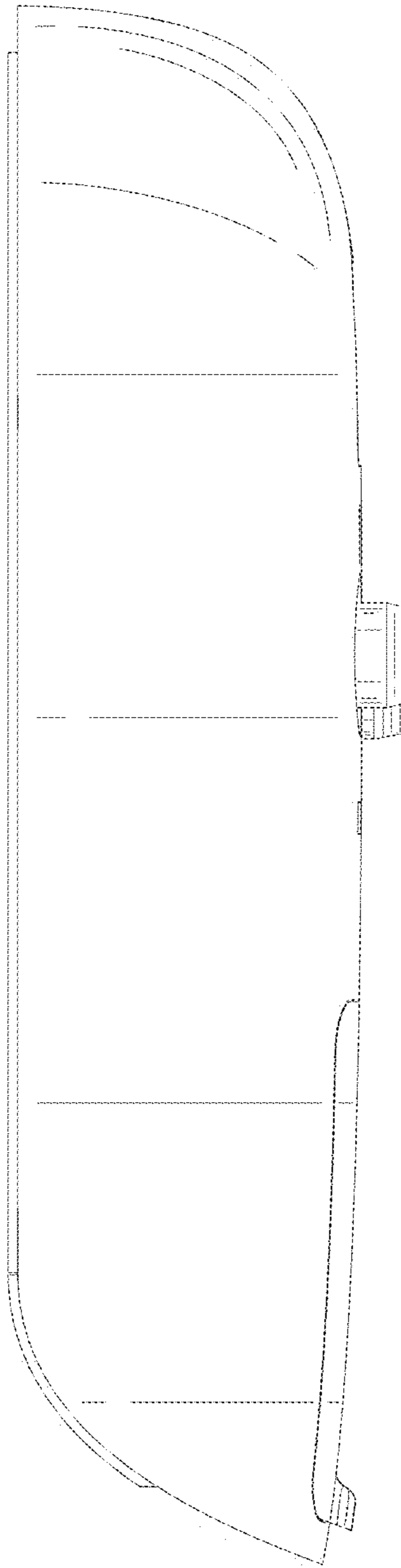


FIG. 6

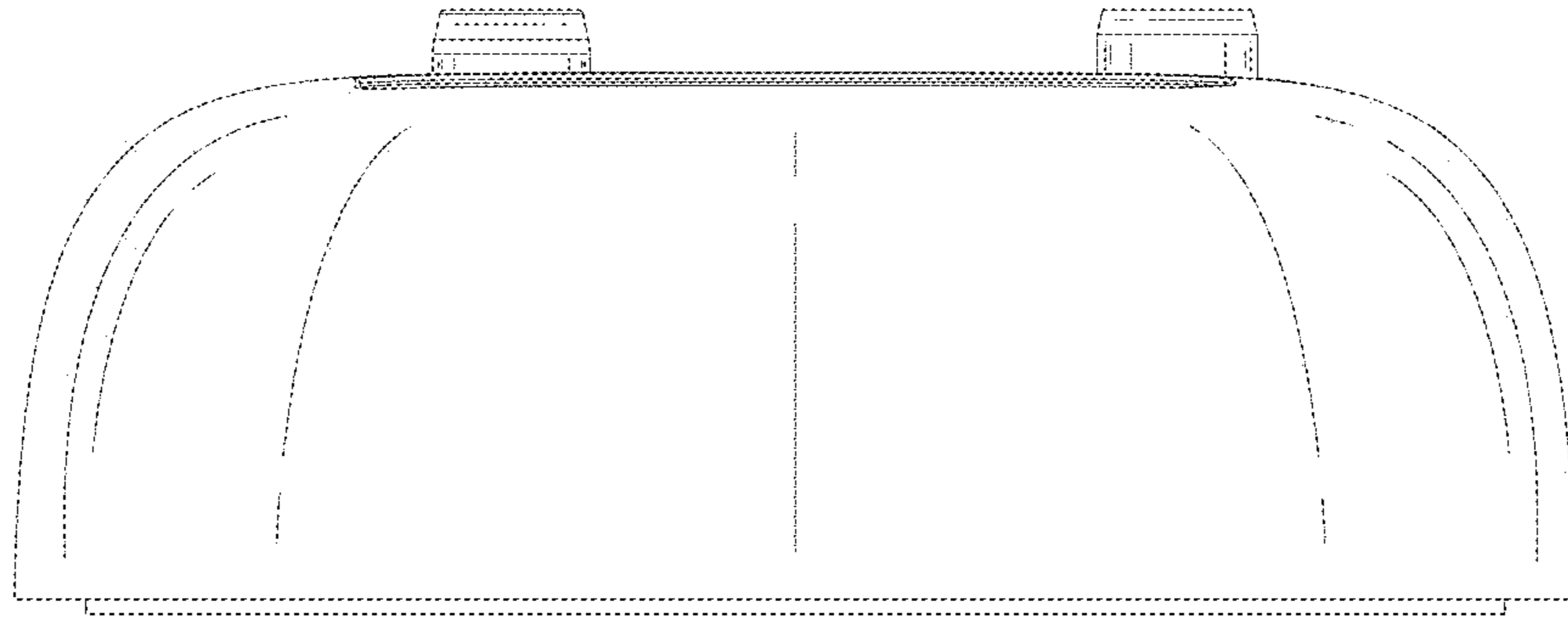


FIG. 7

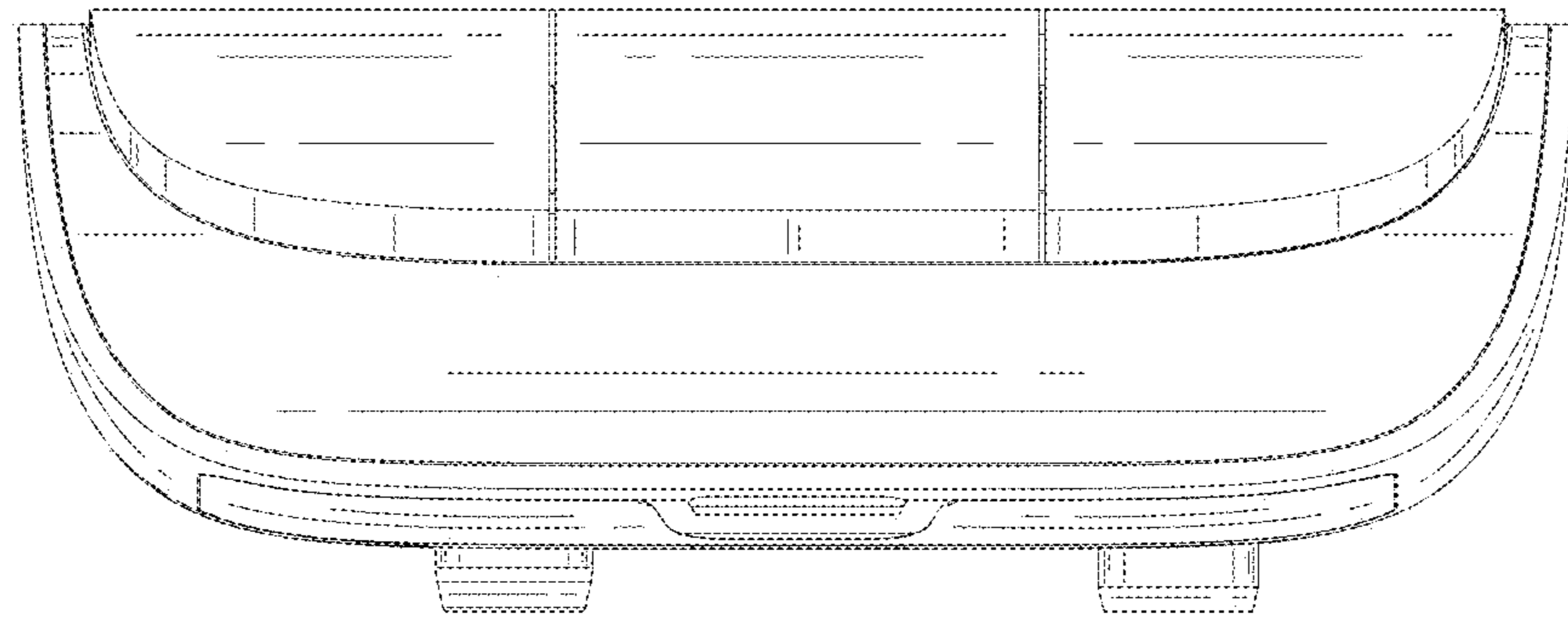


FIG. 8