



US00D987079S

(12) **United States Design Patent**  
**Haworth**

(10) **Patent No.:** **US D987,079 S**  
(45) **Date of Patent:** **\*\* May 23, 2023**

(54) **VEIN IMPLANT**

FOREIGN PATENT DOCUMENTS

(71) Applicant: **Steve A. Haworth**, Gilbert, AZ (US)

EP 2349080 8/2011

(72) Inventor: **Steve A. Haworth**, Gilbert, AZ (US)

OTHER PUBLICATIONS

(\*\*) Term: **15 Years**

Website: <https://surgisil.com/global/index.php/features/>; printed pdf of website on Mar. 11, 2021; see p. 1 of attached pdf file surgisil\_com\_permalip.pdf.

(21) Appl. No.: **29/775,669**

(22) Filed: **Mar. 24, 2021**

\* cited by examiner

**Related U.S. Application Data**

(63) Continuation-in-part of application No. 17/198,853, filed on Mar. 11, 2021, now Pat. No. 11,129,701.

*Primary Examiner* — Charles D Hanson

(74) *Attorney, Agent, or Firm* — Mark V. Loen

(51) **LOC (14) Cl.** ..... **24-03**

(57) **CLAIM**

(52) **U.S. Cl.**  
USPC ..... **D24/155**

The ornamental design for a vein implant, as shown and described.

(58) **Field of Classification Search**  
USPC ..... D24/155  
CPC .... A61F 2/07; A61F 2/90; A61F 2/958; A61F 2002/016; A61F 2002/072; A61F 2002/075; A61F 2002/91541  
See application file for complete search history.

**DESCRIPTION**

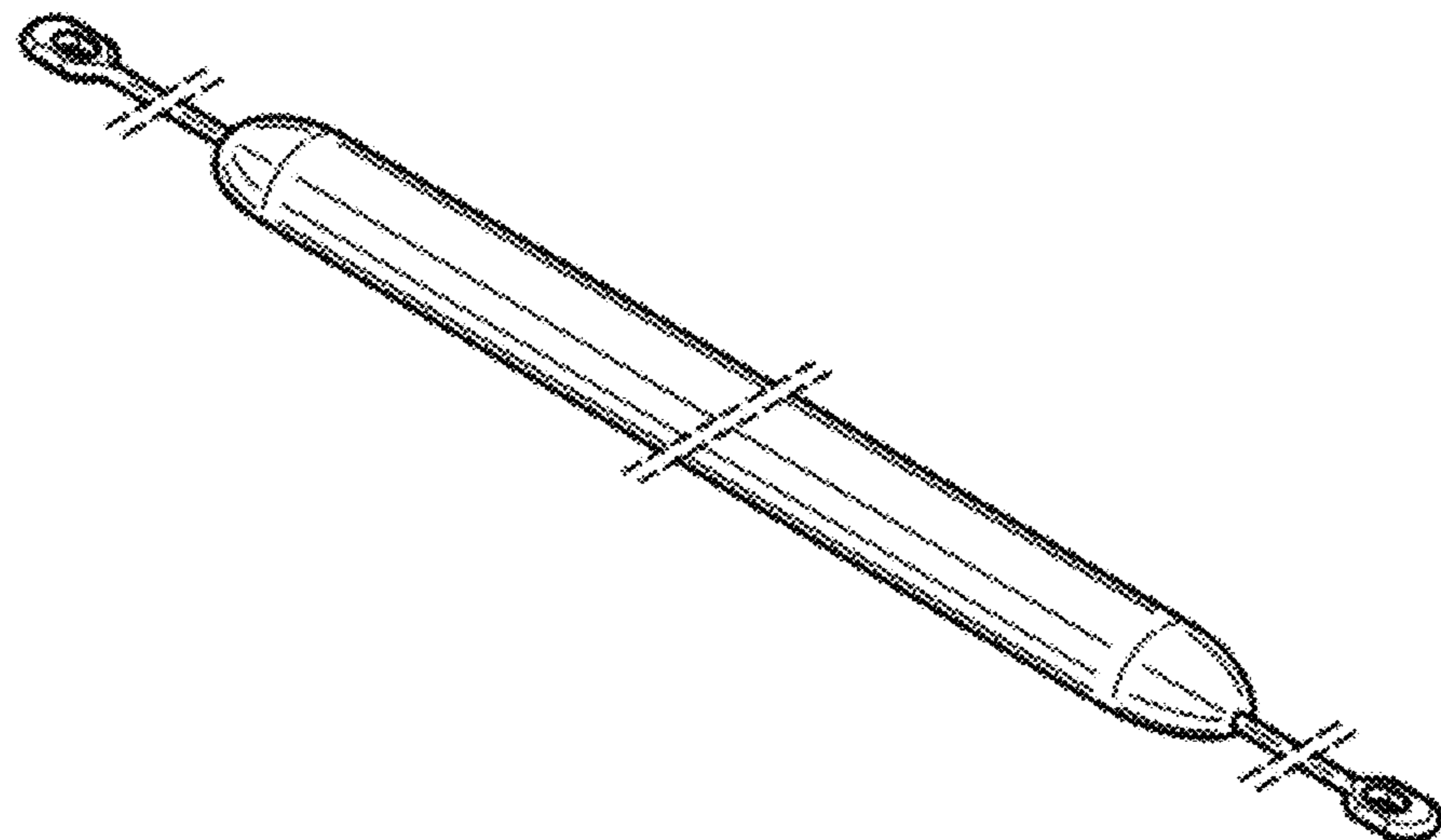
FIG. 1 is a front elevation view of a vein implant; the back elevation view being a mirror image;  
FIG. 2 is a top plan view thereof;  
FIG. 3 is a right elevation view thereof; the left elevation view being a mirror image;  
FIG. 4 is a bottom plan view thereof;  
FIG. 5 is an isometric view thereof;  
FIG. 6 is a front elevation view of an alternate embodiment of the vein implant; the back elevation view being a mirror image;  
FIG. 7 is a top plan view thereof; the bottom plan view being a mirror image;  
FIG. 8 is a right elevation view thereof; the left elevation view being a mirror image; and,  
FIG. 9 is an isometric view thereof.  
In FIGS. 1, 2, 3, 5, 6, 7, and 9 the vein implant is shown with broken away symbols that indicate any portion of the article beyond what is shown in the drawings forms no part of the claimed design.

(56) **References Cited**

U.S. PATENT DOCUMENTS

4,986,831	A *	1/1991	King	.....	A61L 27/14 606/151
5,192,311	A *	3/1993	King	.....	A61L 31/04 623/921
5,556,414	A *	9/1996	Turi	.....	A61F 2/88 606/198
7,008,455	B2	3/2006	Raphael		
7,329,286	B2	2/2008	Raphael		
7,344,566	B2	3/2008	Raphael		
7,641,688	B2	1/2010	Lesh		
8,052,423	B2	11/2011	Alghamdi		
9,271,817	B2	3/2016	Dempsey et al.		
9,895,211	B2	2/2018	Yaremchuk		
9,913,704	B1	3/2018	Yaremchuk		
2007/0196421	A1	8/2007	Hunter et al.		
2011/0264215	A1	10/2011	Raphael		
2018/0220917	A1 *	8/2018	Brisben	.....	A61B 5/4836

**1 Claim, 3 Drawing Sheets**



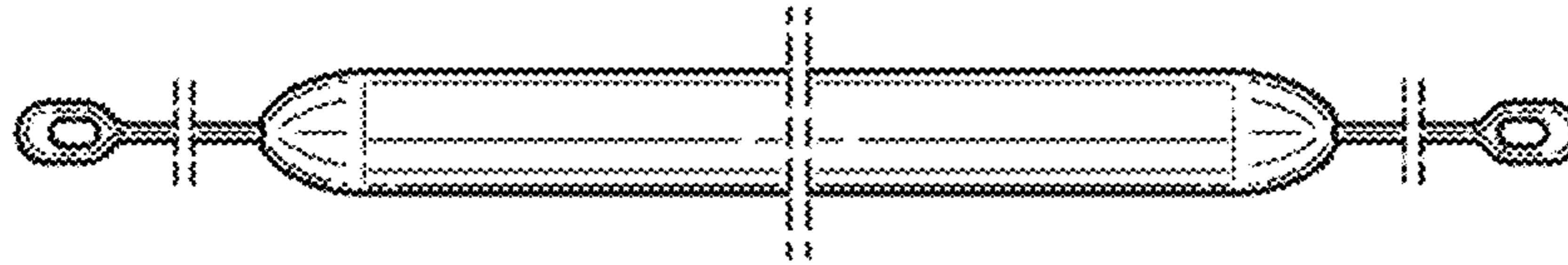


FIG. 2

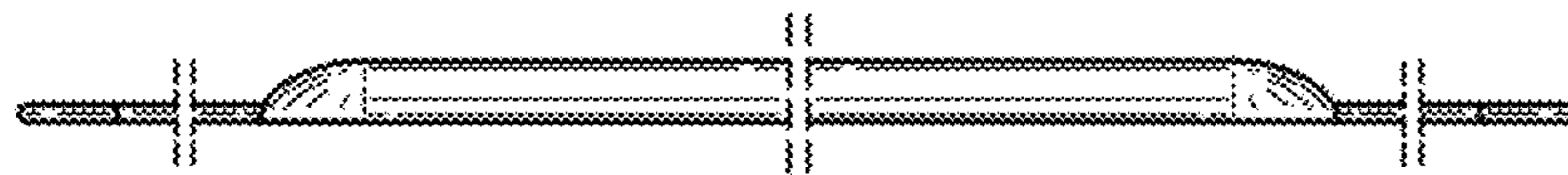


FIG. 1

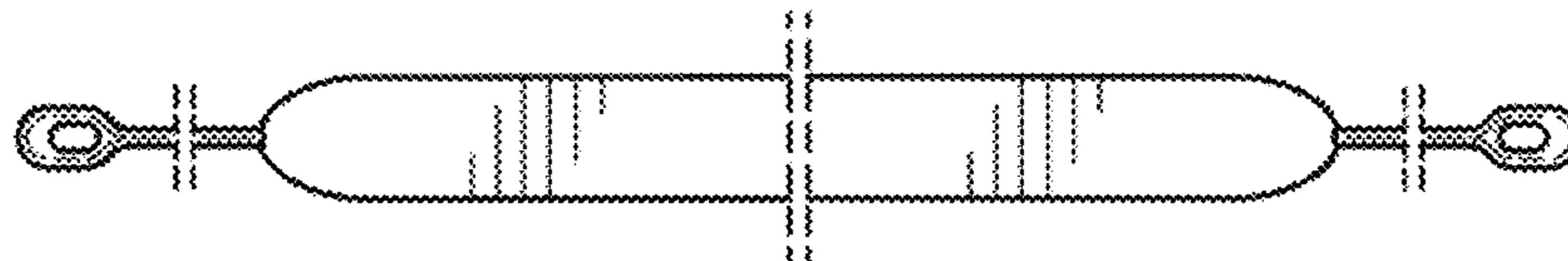


FIG. 3



FIG. 4

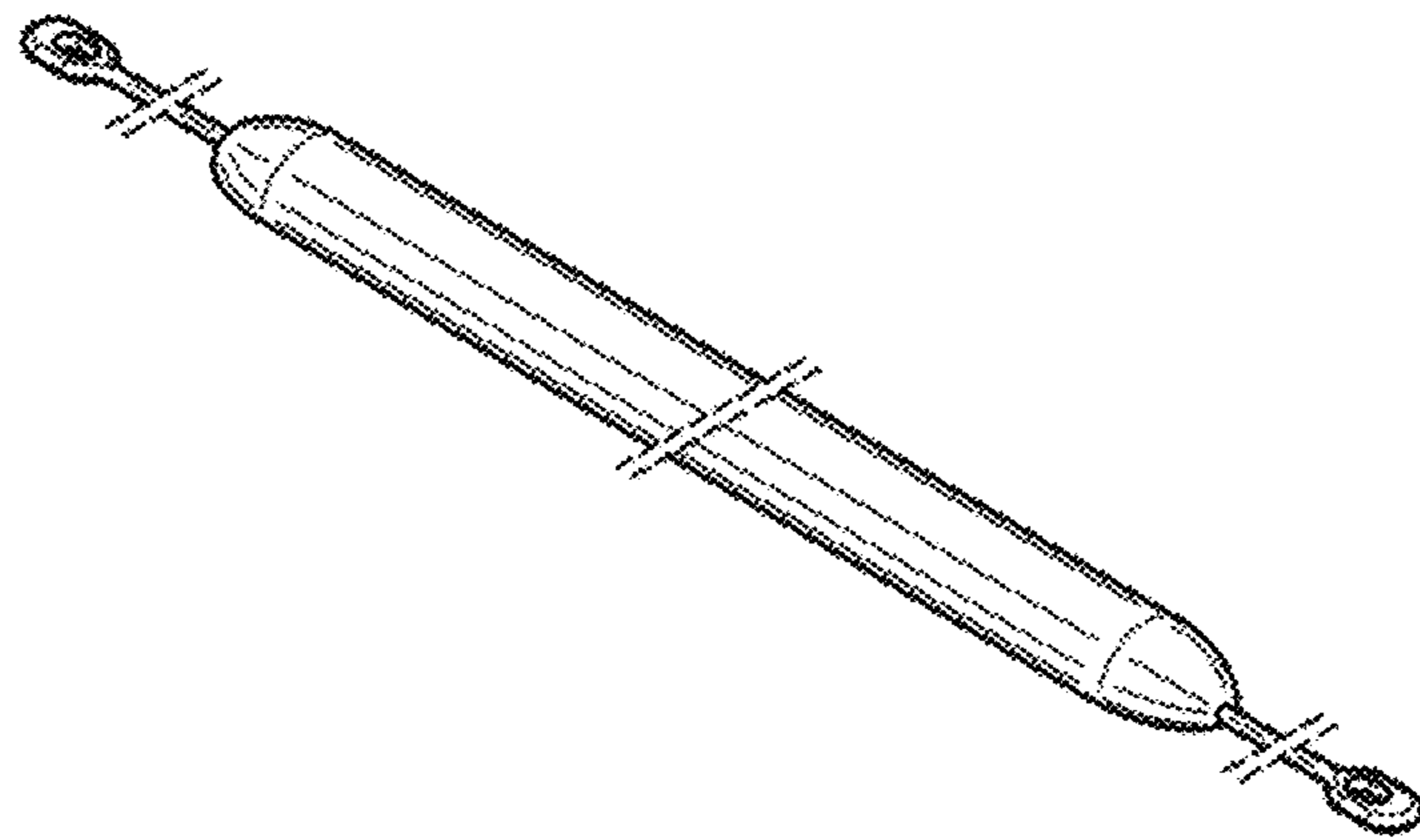


FIG. 5

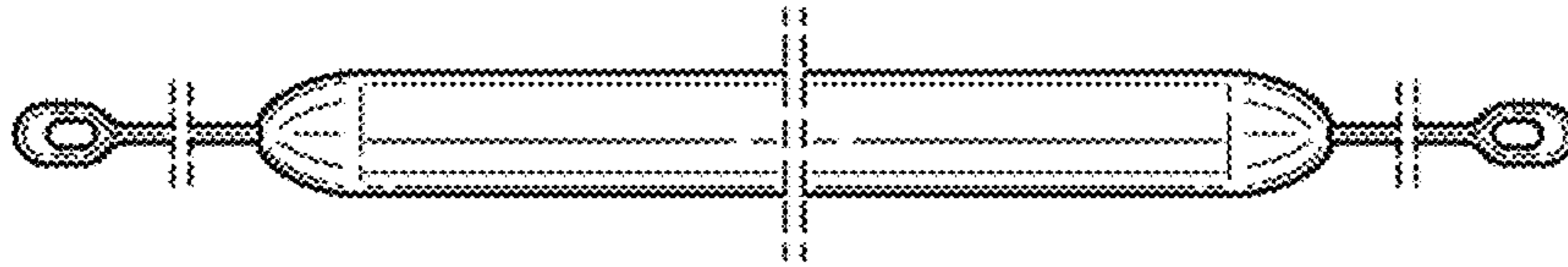


FIG. 7

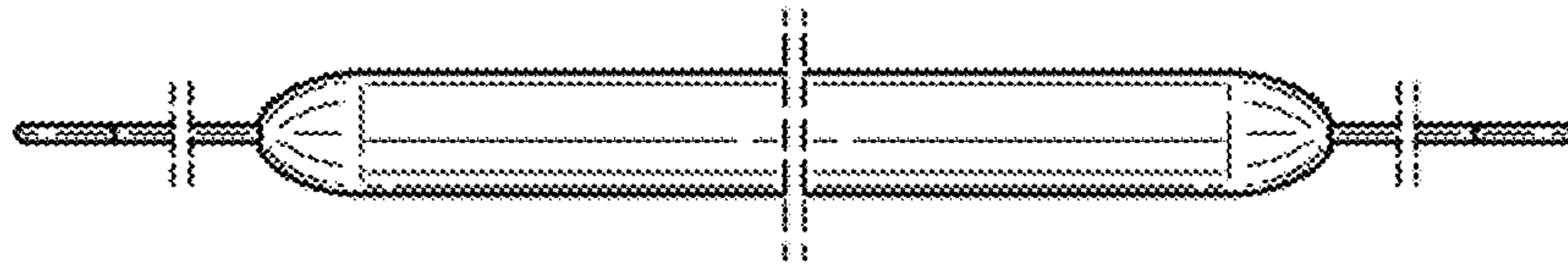


FIG. 6



FIG. 8

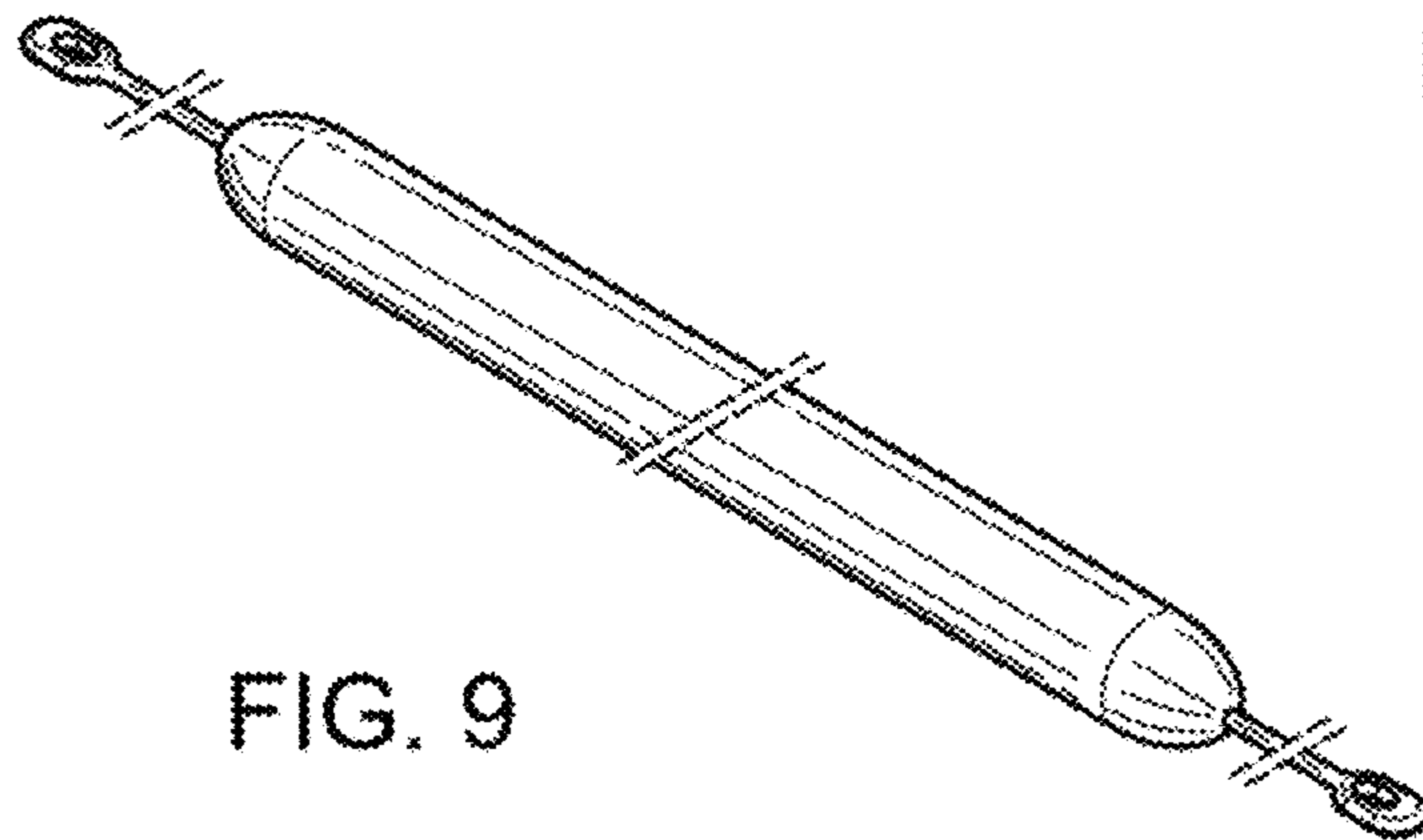


FIG. 9