



US00D987075S

(12) **United States Design Patent** (10) **Patent No.:** **US D987,075 S**  
**Gershi** (45) **Date of Patent:** **\*\* May 23, 2023**

(54) **NEEDLE CATHETER PLACEMENT DEVICE**

FOREIGN PATENT DOCUMENTS

(71) Applicant: **Angie Technologies Ltd.**, Tel Aviv (IL)

EM 008751895-0001 \* 11/2021

(72) Inventor: **Israel Gershi**, Tel Aviv (IL)

OTHER PUBLICATIONS

(73) Assignee: **Angie Technologies Ltd.**, Tel Aviv (IL)

MC 260 Infrared Vein Finder | Vein Viewer | MeCan Medical, Mecan Medical, youtube, [Post date Sep. 15, 2017], [Site seen Dec. 12, 2022], Seen at URL: <https://www.youtube.com/watch?v=PHrWhNM8Zac> (Year: 2017).\*

(\*\*) Term: **15 Years**

(21) Appl. No.: **29/783,275**

(Continued)

(22) Filed: **May 12, 2021**

*Primary Examiner* — Natasha Vujcic

(51) **LOC (14) Cl.** ..... **24-02**

*Assistant Examiner* — Gilbert B Ford

(52) **U.S. Cl.**

(74) *Attorney, Agent, or Firm* — Sterne, Kessler, Goldstein & Fox P.L.L.C.

USPC ..... **D24/186**; D24/130

(58) **Field of Classification Search**

USPC ..... D24/112–114, 127–130, 133, 231;

D8/402, 403, 400; D9/428, 448, 454

CPC ..... A61B 17/3462; A61B 17/3423; A61B

17/3498; A61B 2017/3445

See application file for complete search history.

(57) **CLAIM**

I claim, the ornamental design for a needle catheter placement device, as shown and described.

(56) **References Cited**

U.S. PATENT DOCUMENTS

**DESCRIPTION**

D231,968 S \* 7/1974 Juhlin ..... D9/504

D547,657 S \* 7/2007 Tacchella ..... D9/454

D596,939 S \* 7/2009 Moretti ..... D9/454

8,528,757 B2 \* 9/2013 Bisio ..... B65D 75/5883

215/258

D755,374 S \* 5/2016 Oberlaender ..... D24/133

D759,488 S \* 6/2016 Gibson ..... D9/454

D769,120 S \* 10/2016 Albuquerque ..... D9/454

D797,928 S \* 9/2017 Davis ..... D24/130

9,833,603 B2 \* 12/2017 Nardone ..... A61M 39/045

D816,836 S \* 5/2018 Mueller ..... D24/133

D829,896 S \* 10/2018 Py ..... D24/129

D839,111 S \* 1/2019 Krishnan ..... D24/188

10,166,347 B1 \* 1/2019 Vitello ..... A61M 5/5086

D848,844 S \* 5/2019 Byron ..... D9/454

D870,896 S \* 12/2019 Komaki ..... D24/186

D908,895 S \* 1/2021 Deriso ..... D24/186

D939,959 S \* 1/2022 Brahim ..... D9/448

(Continued)

FIG. 1 is a top perspective view of a needle catheter placement device showing the claimed design;

FIG. 2 is a bottom perspective view thereof;

FIG. 3 is a front view thereof;

FIG. 4 is a rear view thereof;

FIG. 5 is a left side view thereof;

FIG. 6 is a right side view thereof;

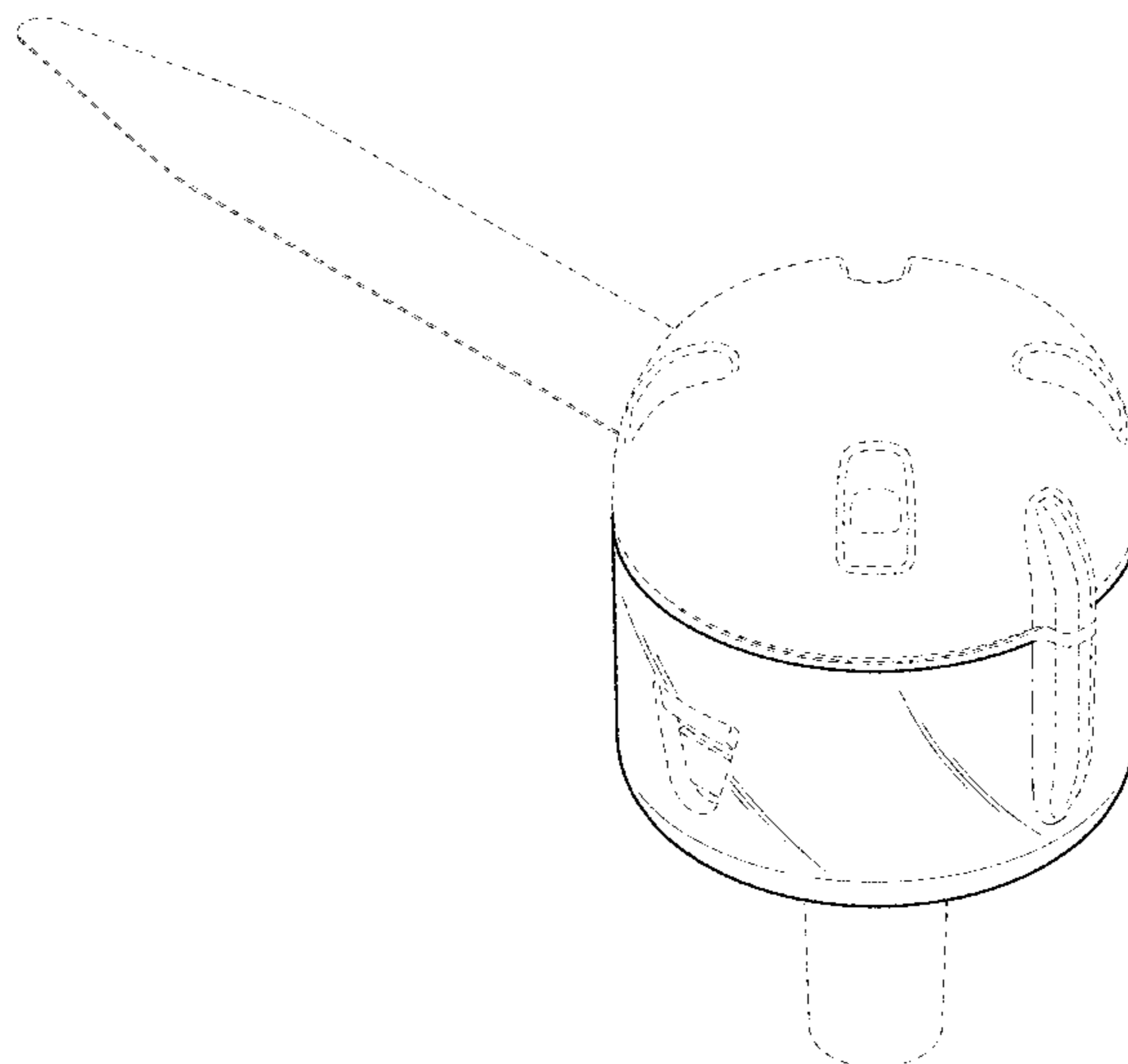
FIG. 7 is a top view thereof; and,

FIG. 8 is a bottom view thereof.

The dashed broken lines in the figures show portions of the needle catheter placement device that form no part of the claimed design.

The dot-dash broken lines in the figures show boundaries that form no part of the claimed design.

**1 Claim, 6 Drawing Sheets**



(56)

**References Cited**

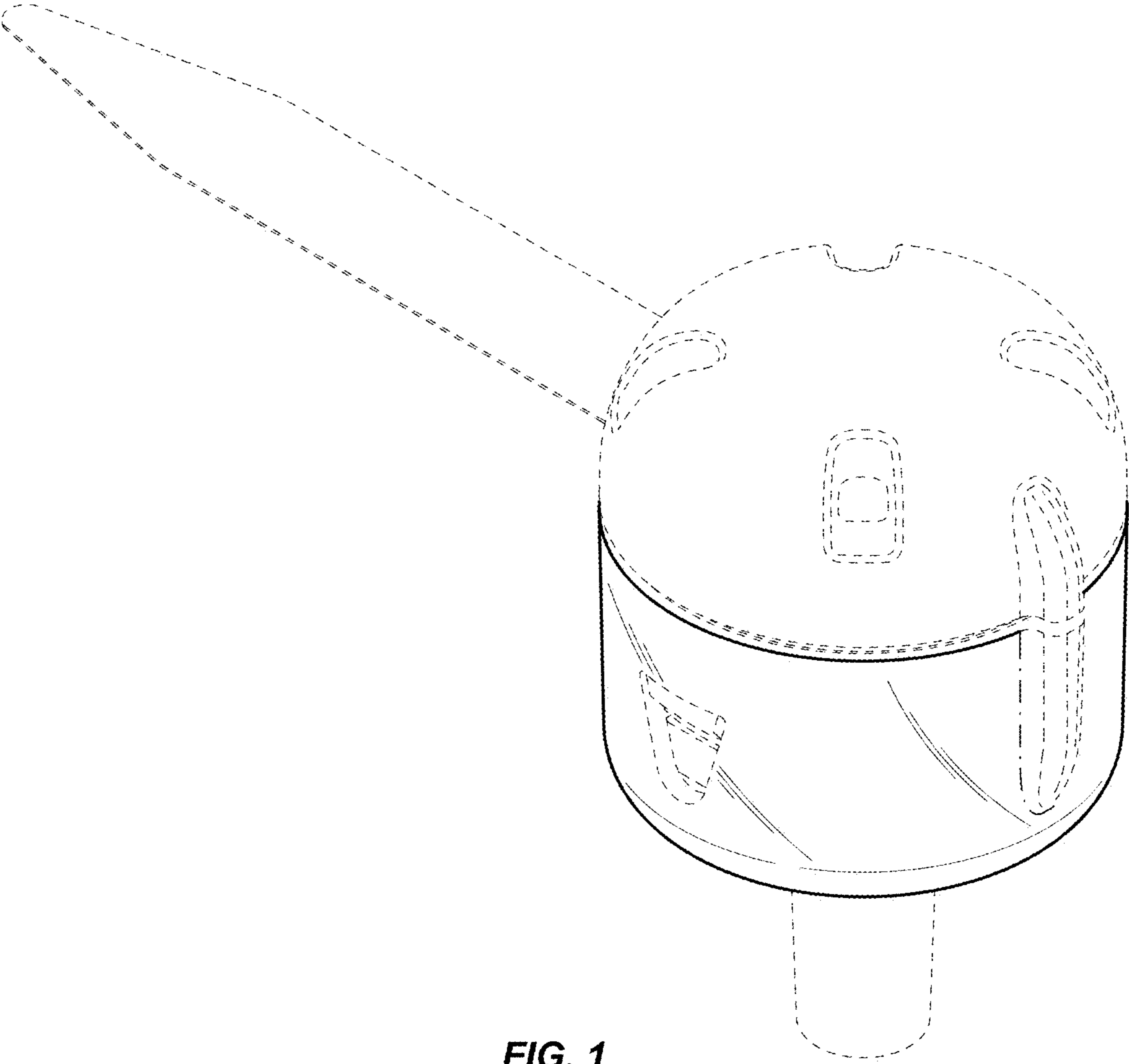
U.S. PATENT DOCUMENTS

D948,726 S \* 4/2022 Tseng ..... D24/186  
D954,554 S \* 6/2022 Deng ..... D9/453  
D957,938 S \* 7/2022 Noh ..... D9/454  
D957,942 S \* 7/2022 Woolery ..... D9/454  
2010/0261975 A1 \* 10/2010 Huey ..... A61B 17/3462  
600/208

OTHER PUBLICATIONS

‘NIR vs. Ultrasound vs. Transillumination for Vein Access,’ by  
Veinlite, [Post date Sep. 19, 2020], [Site seen Dec. 12, 2022], Seen  
at URL: <https://www.veinlite.com/blog/post/nir-ultrasound-transillumination-vein-access/> (Year: 2020).\*

\* cited by examiner



**FIG. 1**

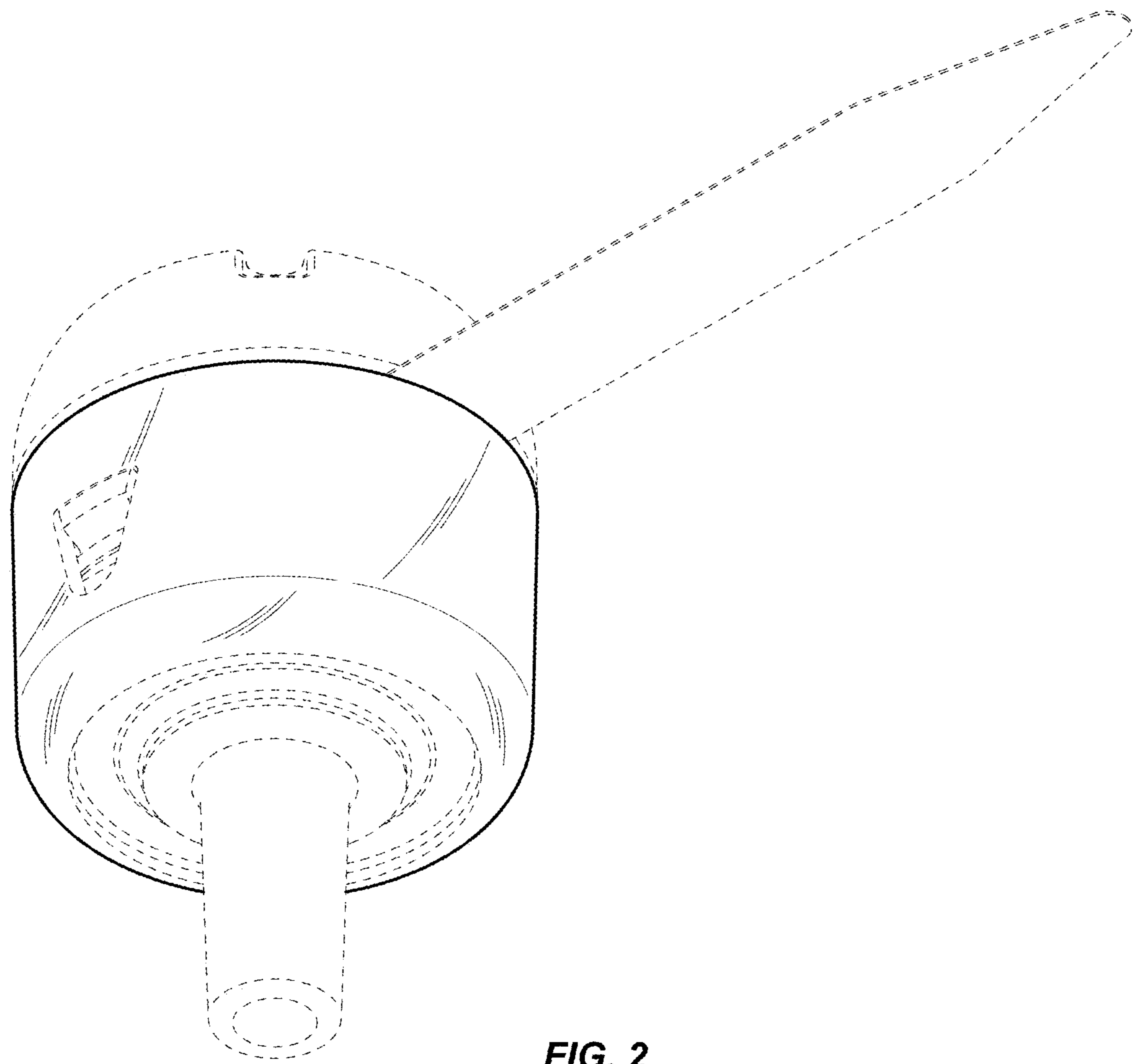
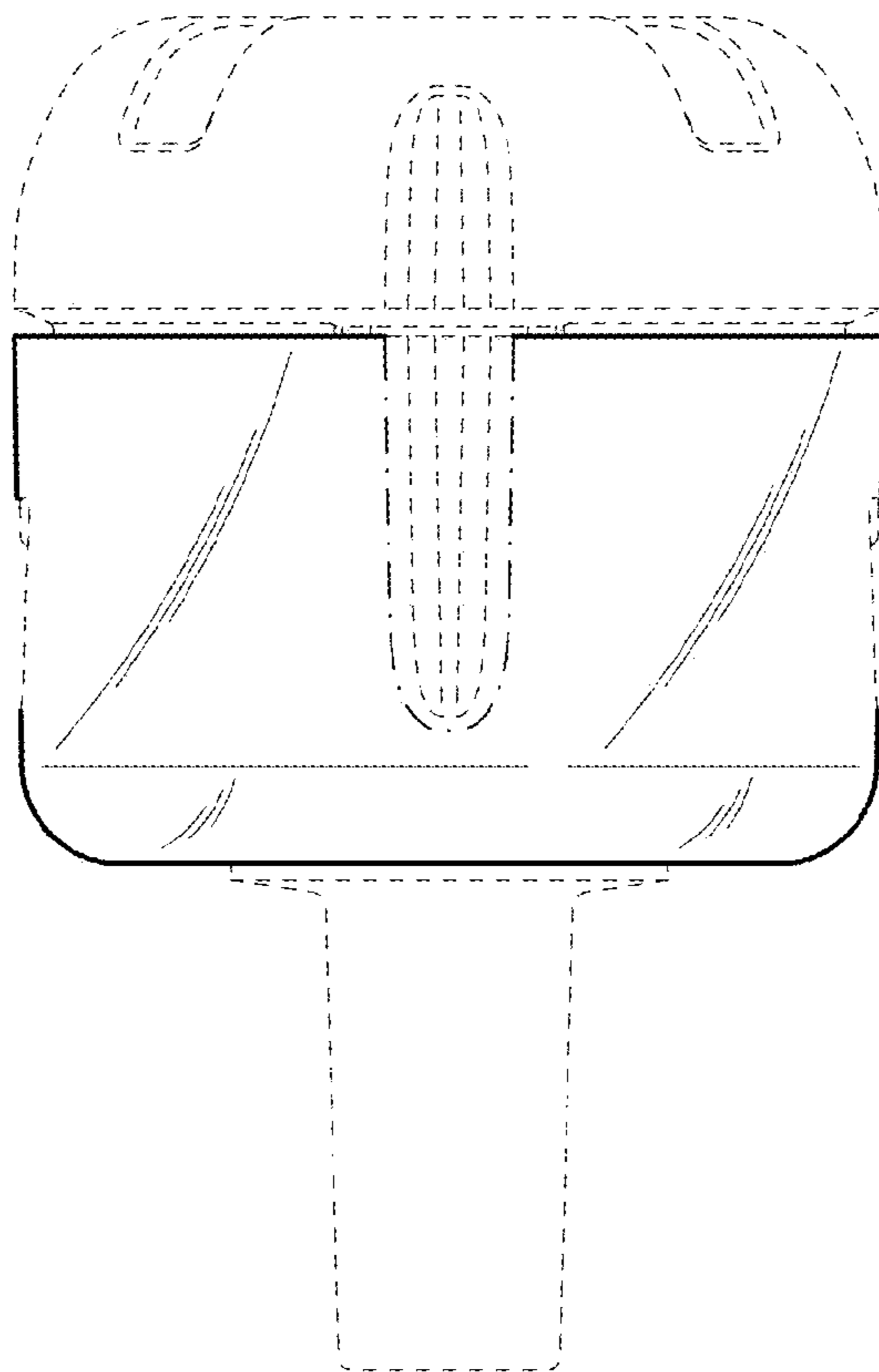
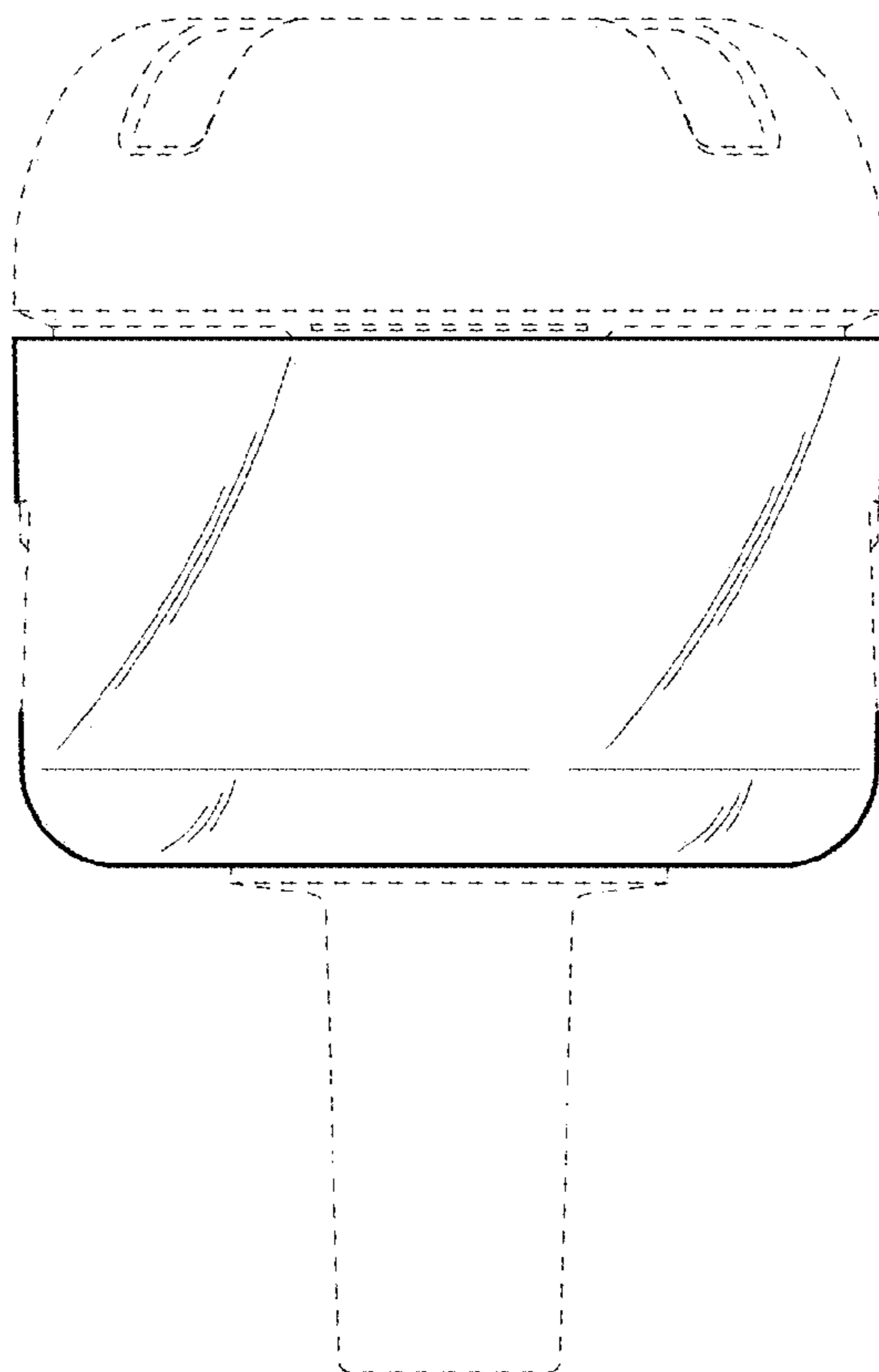


FIG. 2



**FIG. 3**



**FIG. 4**

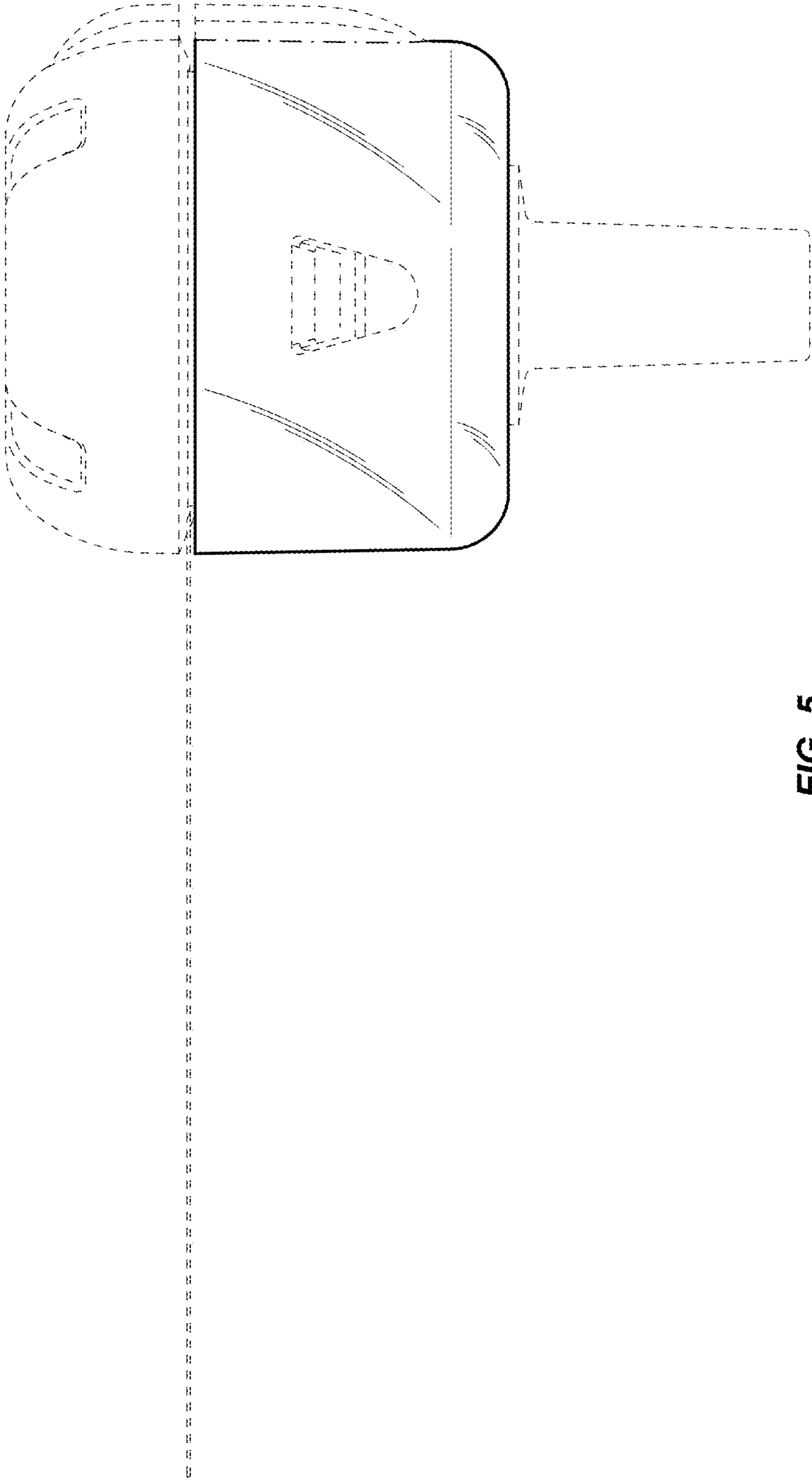


FIG. 5

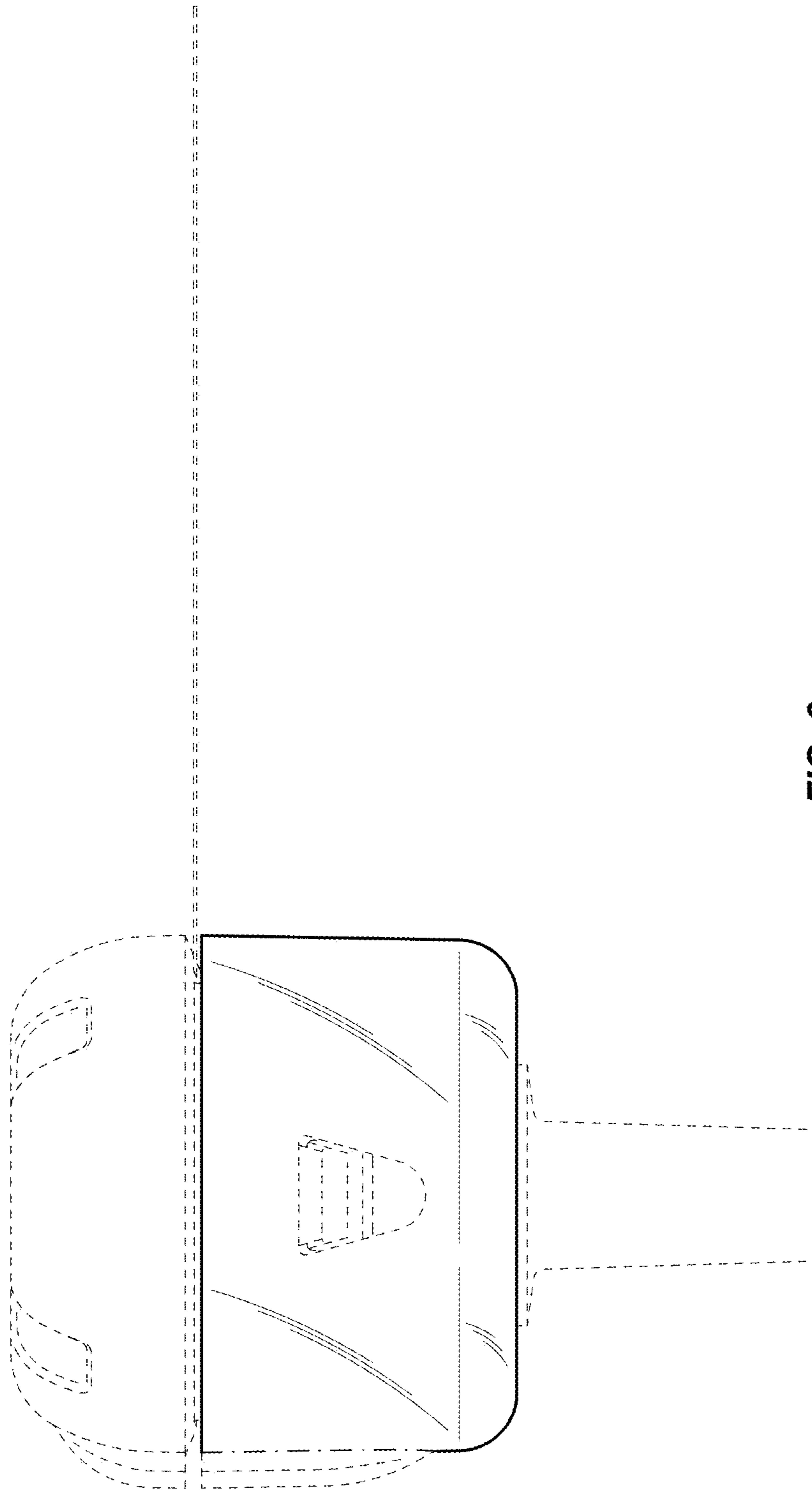
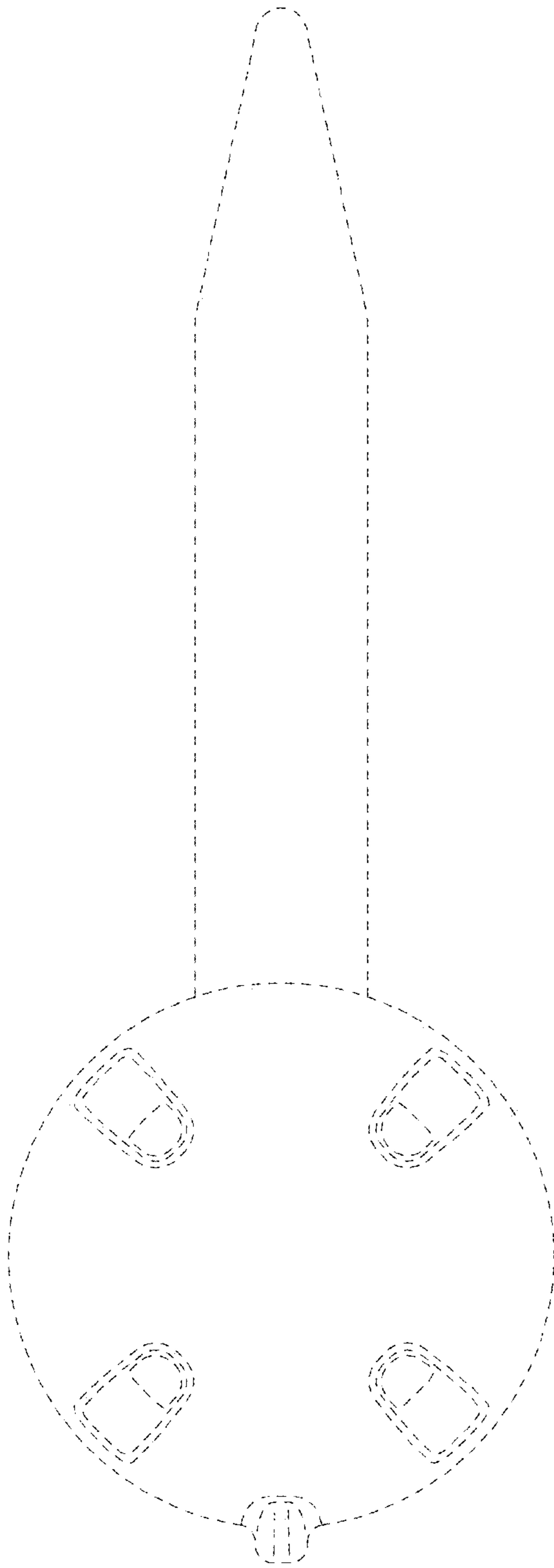
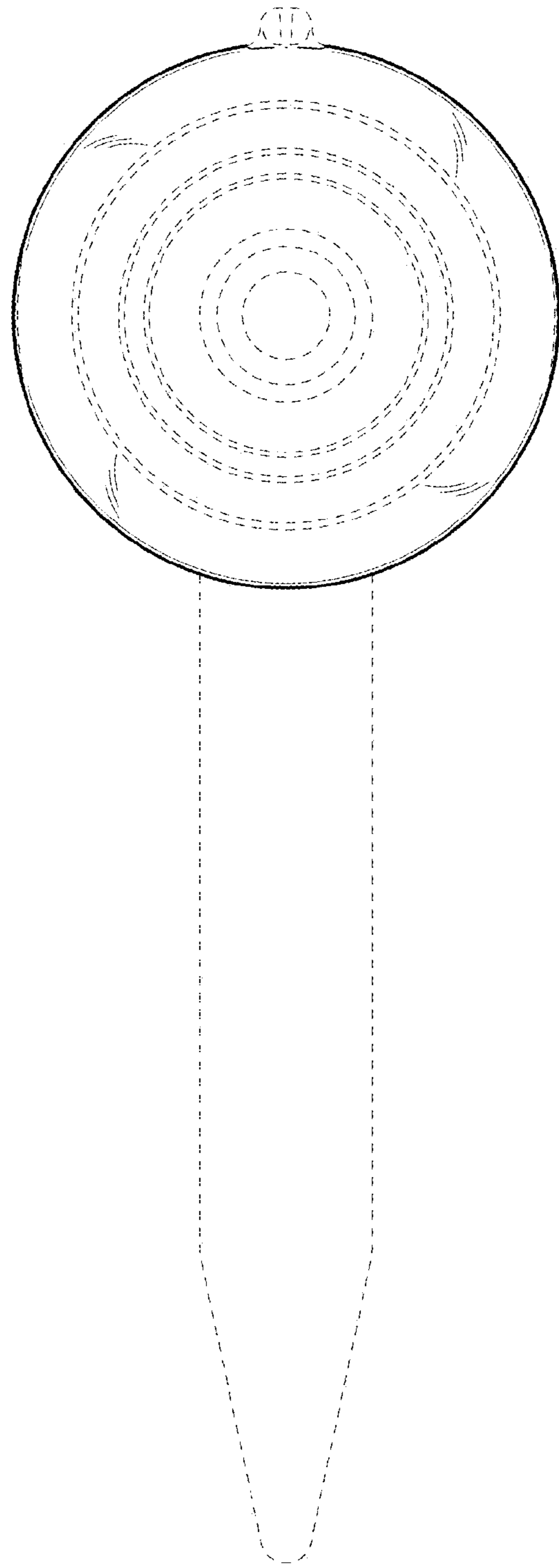


FIG. 6



**FIG. 7**



**FIG. 8**