



US00D987073S

(12) **United States Design Patent**
Cheetham

(10) **Patent No.:** **US D987,073 S**

(45) **Date of Patent:** **** May 23, 2023**

(54) **DENTAL SYRINGE BODY**

(71) Applicant: **SDI (NORTH AMERICA), INC.**,
Itasca, IL (US)

(72) Inventor: **Joshua James Cheetham**, Victoria
(AU)

(73) Assignee: **SDI (North America), INC.**, Itasca, IL
(US)

(**) Term: **15 Years**

(21) Appl. No.: **29/774,361**

(22) Filed: **Mar. 16, 2021**

(30) **Foreign Application Priority Data**

Nov. 26, 2020 (AU) 202016436

(51) **LOC (14) Cl.** **24-02**

(52) **U.S. Cl.**
USPC **D24/114**

(58) **Field of Classification Search**
USPC D24/112-114, 133, 186, 104, 130, 127,
D24/221, 222

CPC A61M 5/178; A61M 5/31; A61M 5/3146;
A61M 5/3129; A61M 5/3148

See application file for complete search history.

(56) **References Cited**

U.S. PATENT DOCUMENTS

- D401,325 S * 11/1998 Hjertman D24/114
- D543,278 S * 5/2007 Numata D24/114
- D552,773 S * 10/2007 Greenberg D26/37
- D650,903 S * 12/2011 Kosinski D24/130
- 8,075,523 B2 * 12/2011 Wayman A61M 5/5066
604/218
- D675,540 S * 2/2013 Montminy D24/114
- D726,305 S * 4/2015 Furukawa D24/114

- D925,731 S * 7/2021 Ferrier D24/114
- D926,970 S * 8/2021 Coats D24/114
- D926,971 S * 8/2021 Coats D24/114
- D959,694 S * 8/2022 Papst D24/224
- 2013/0090606 A1 * 4/2013 Shams A61M 5/3134
604/239
- 2017/0173321 A1 * 6/2017 Davis A61M 5/3134
- 2022/0192784 A1 * 6/2022 Cheetham A61C 5/64

FOREIGN PATENT DOCUMENTS

JP D1547030 * 4/2016

OTHER PUBLICATIONS

Dose Syringe Barrel with Cap, Qosmedix, qosmedix.com, [Sep. 26, 2020], [Site seen Aug. 31, 2022], Seen at URL: <https://www.qosmedix.com/dose-syringe-barrel-with-cap-c5001#pref> (Year: 2020).*

(Continued)

Primary Examiner — Natasha Vujcic

Assistant Examiner — Gilbert B Ford

(74) *Attorney, Agent, or Firm* — Reising Ethington P.C.

(57) **CLAIM**

I claim, the ornamental design for a dental syringe body, as shown and described.

DESCRIPTION

FIG. 1 is a front view of a dental syringe body that depicts my design;

FIG. 2 is a rear view thereof;

FIG. 3 is a top view thereof;

FIG. 4 is a bottom view thereof;

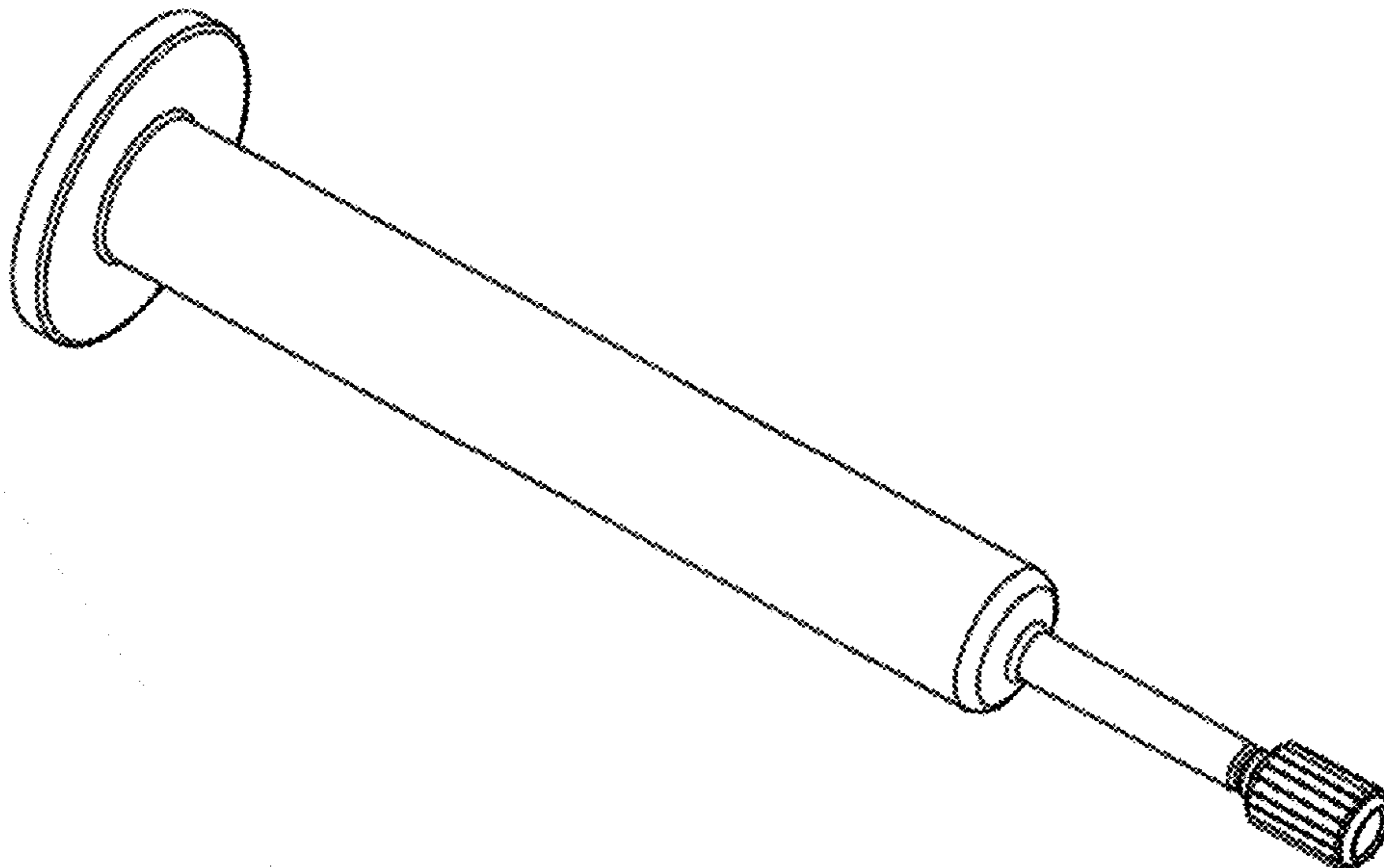
FIG. 5 is a left-side view thereof;

FIG. 6 is a right-side view thereof; and,

FIG. 7 is a front-right-top perspective view thereof.

The broken lines shown in the drawings depict portions that form no part of the claimed design.

1 Claim, 2 Drawing Sheets



(56)

References Cited

OTHER PUBLICATIONS

Animal Health Disposable Dosing Paste Syringe, Multi Dose Syringe—
Xinfuda, fudaplastic.com, [Post date: Oct. 1, 2020], [Site seen Aug.
31, 2022], Seen at URL: [https://www.fudaplastic.com/paste-syringe/
30ml-syringe.html](https://www.fudaplastic.com/paste-syringe/30ml-syringe.html) (Year: 2020).*

* cited by examiner

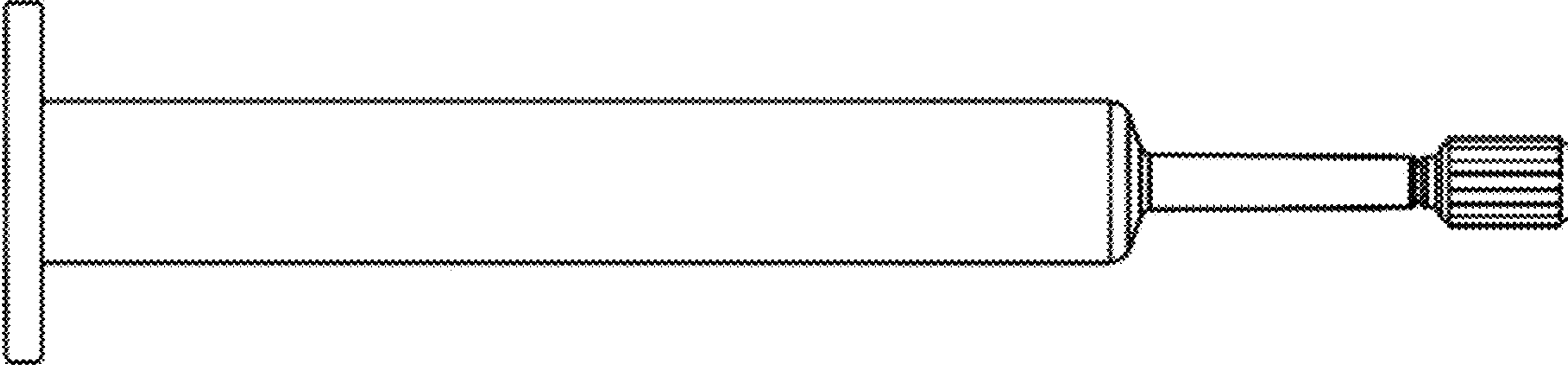


FIG. 1

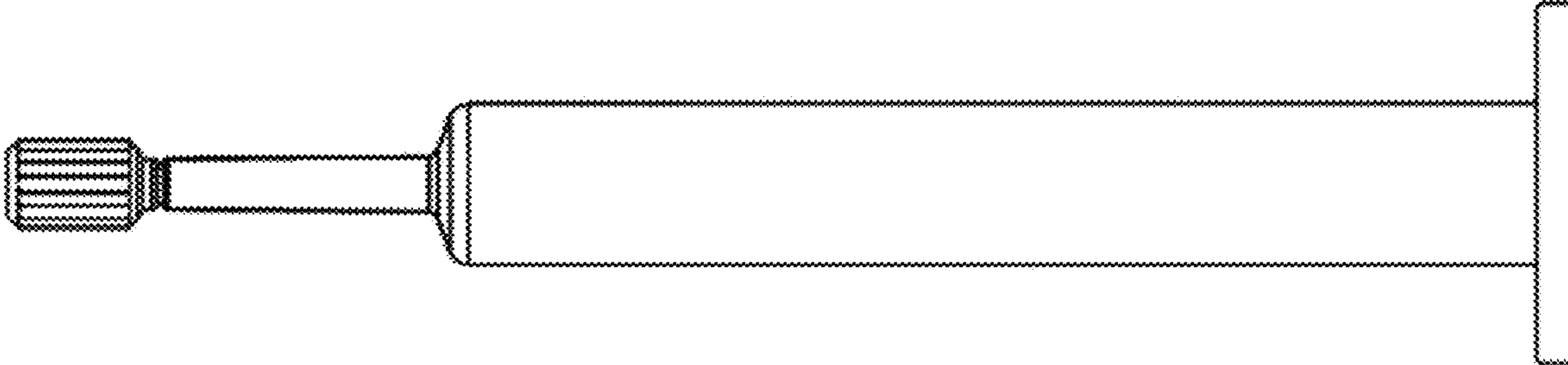


FIG. 2

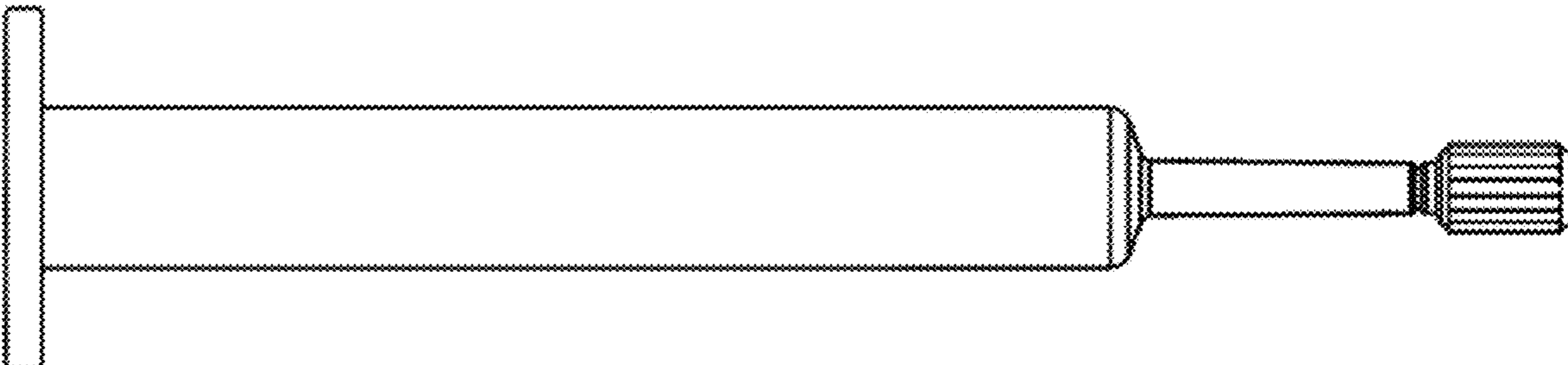


FIG. 3

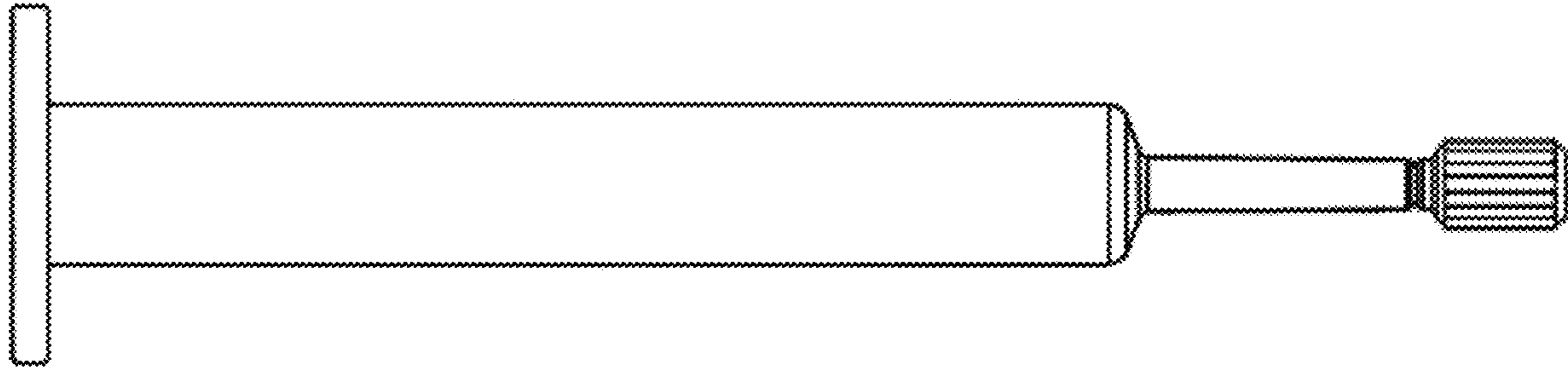


FIG. 4

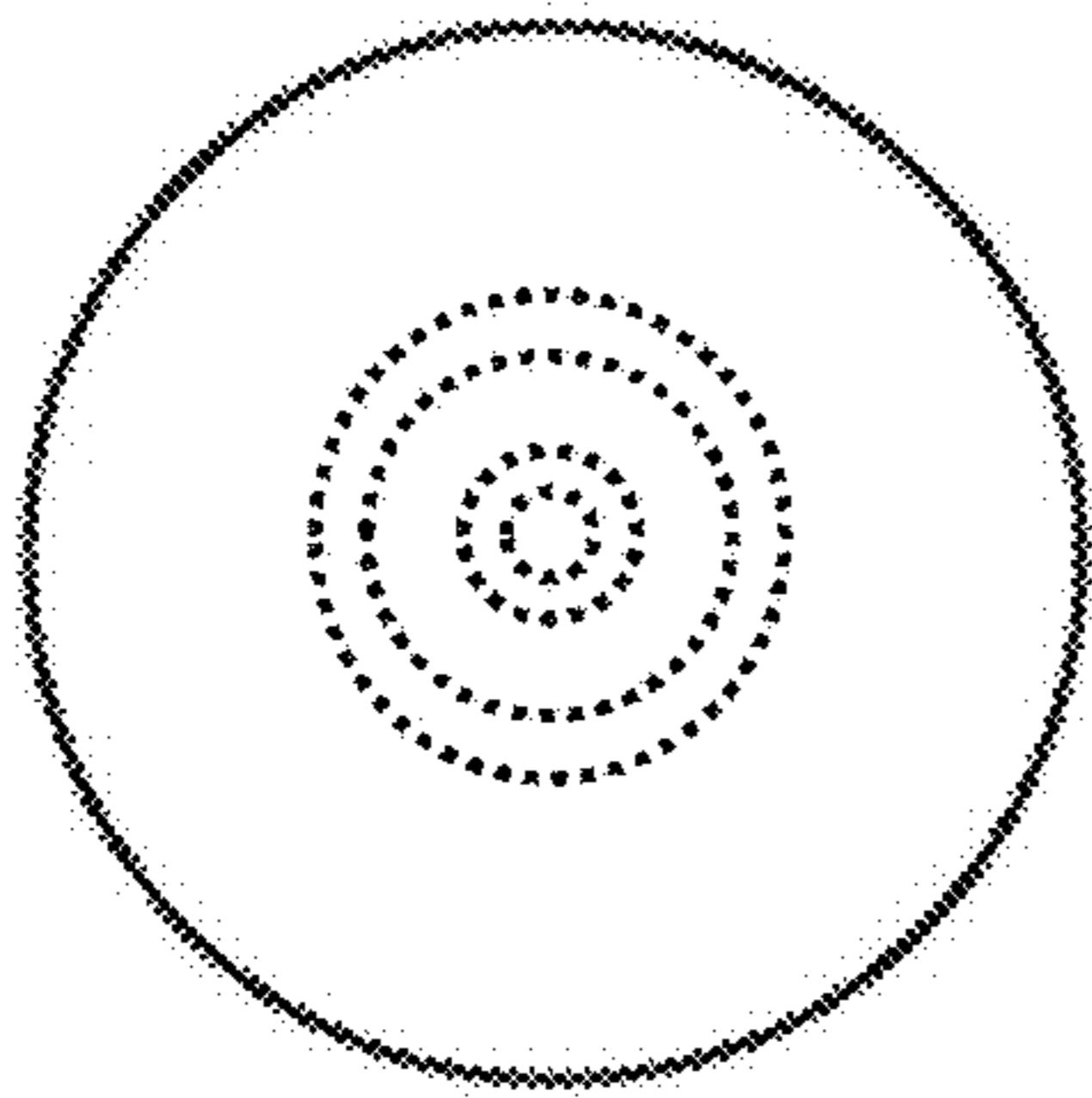


FIG. 5

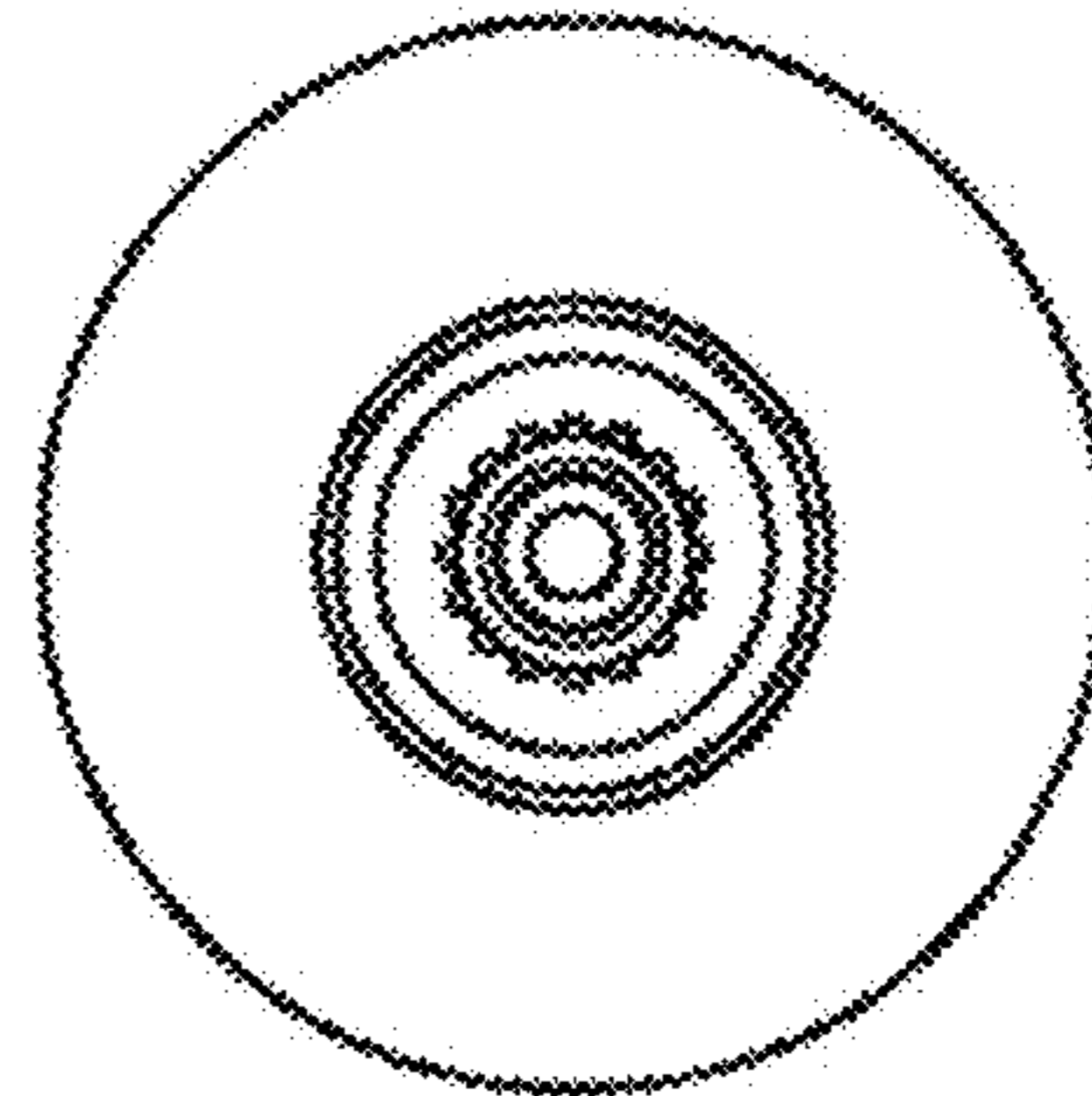


FIG. 6

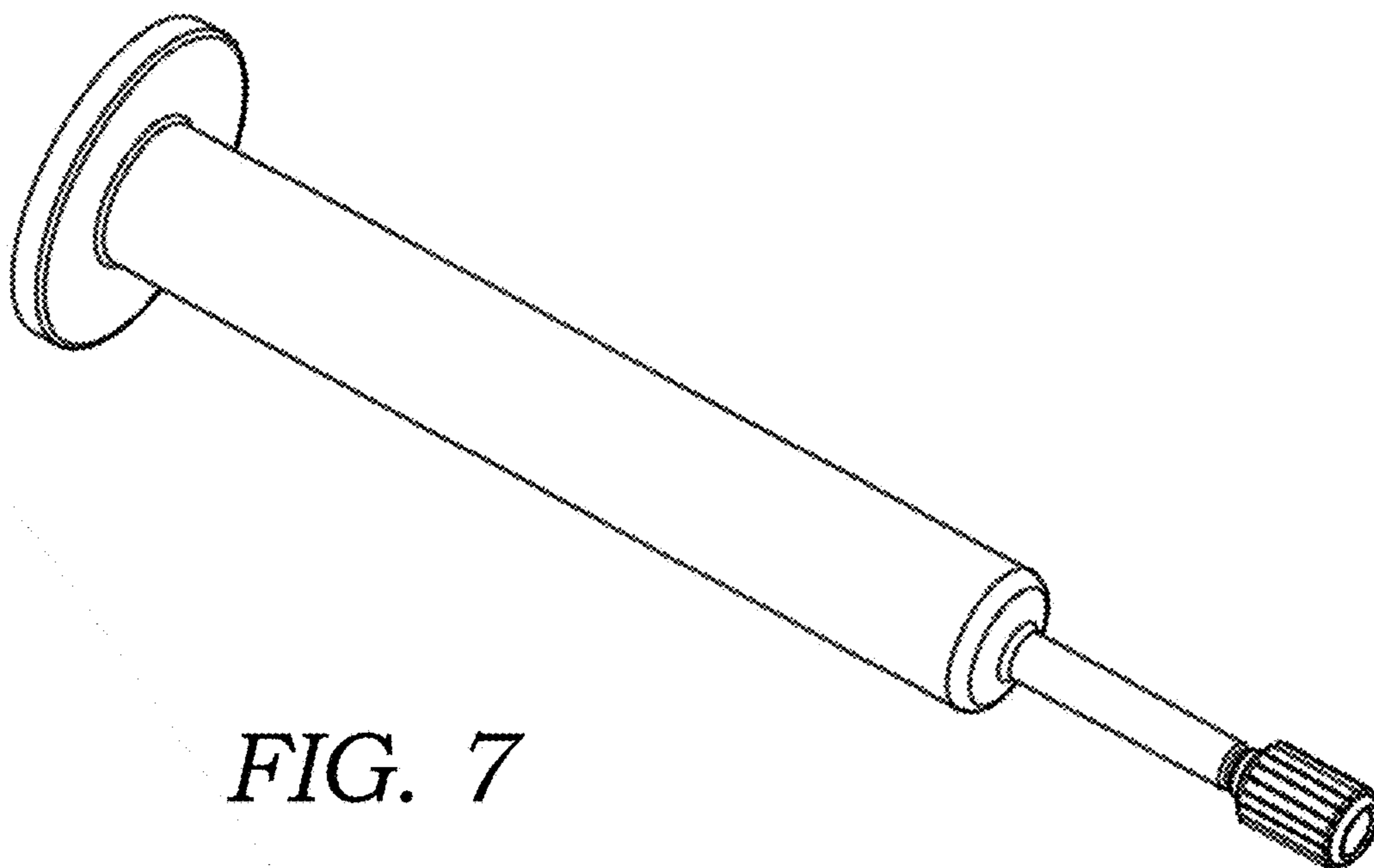


FIG. 7