



US00D987072S

(12) **United States Design Patent** (10) **Patent No.:** **US D987,072 S**  
**Hirvilammi** (45) **Date of Patent:** **\*\* May 23, 2023**

- (54) **BLOOD COLLECTING DEVICE** 8,162,854 B2 \* 4/2012 Calasso ..... A61B 5/150503  
600/584
- (71) Applicant: **Aidian Oy**, Espoo (FI) 8,506,587 B2 \* 8/2013 Nagao ..... A61B 5/1519  
606/181
- (72) Inventor: **Tommi Hirvilammi**, Espoo (FI) 8,821,525 B2 \* 9/2014 Pusey ..... A61B 5/150412  
600/573
- (73) Assignee: **Aidian Oy**, Espoo (FI) 9,345,866 B2 5/2016 Kubo et al.  
D790,693 S \* 6/2017 Mercer ..... D24/133
- (\*\*) Term: **15 Years** 9,943,646 B2 4/2018 Holland  
D891,611 S 7/2020 Valentin et al.
- (21) Appl. No.: **29/854,923** 11,123,494 B2 9/2021 Kwolek et al.  
11,202,869 B2 12/2021 Wang
- (22) Filed: **Sep. 29, 2022** 2014/0180245 A1 6/2014 Wong et al.

\* cited by examiner

**Related U.S. Application Data**

- (62) Division of application No. 29/712,447, filed on Nov. 8, 2019, now Pat. No. Des. 967,402.

*Primary Examiner* — David G Muller

(74) *Attorney, Agent, or Firm* — Laine IP Oy

**Foreign Application Priority Data**

- (30) Jun. 5, 2019 (EM) ..... 006567095

(57) **CLAIM**

The ornamental design for a blood collecting device, as shown and described.

- (51) **LOC (14) Cl.** ..... **24-02**

**DESCRIPTION**

- (52) **U.S. Cl.**  
USPC ..... **D24/112**

- (58) **Field of Classification Search**

USPC ..... D24/112–114, 108, 133, 130, 127, 186  
 CPC ..... A61M 5/178; A61M 3/00; A61M 5/20;  
 A61M 5/31; A61M 5/3146; A61M  
 5/3129; A61M 5/3148; A61M 5/315  
 See application file for complete search history.

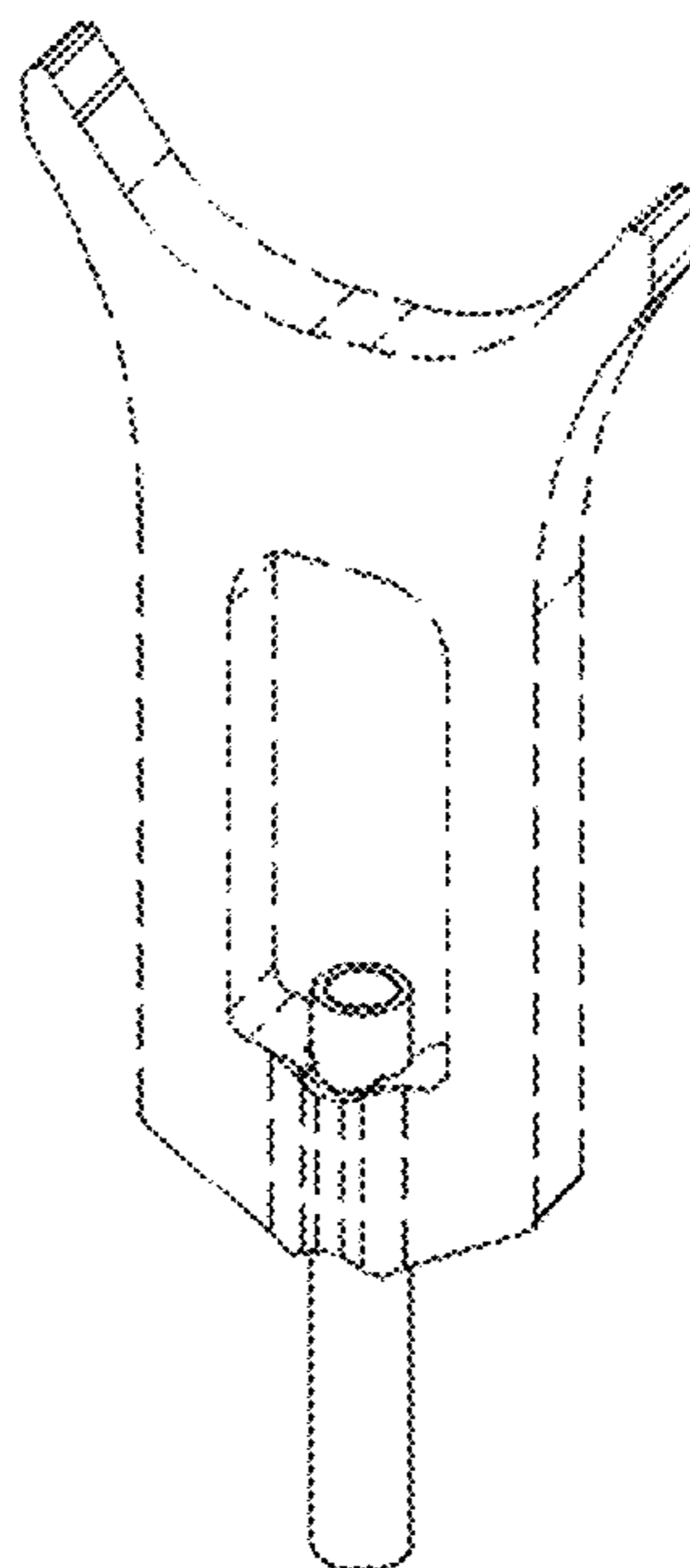
FIG. 1 is a perspective view of a blood collecting device in accordance with the ornamental design;  
 FIG. 2 is a front view of the blood collecting device;  
 FIG. 3 is a back view of the blood collecting device;  
 FIG. 4 is a bottom view of the blood collecting device;  
 FIG. 5 is a top elevational view of the blood collecting device;  
 FIG. 6 is a right side view of the blood collecting device;  
 and,  
 FIG. 7 is a left side view of the blood collecting device.  
 The features shown in broken lines depict portions of the blood collecting device and form no part of the claimed design.

- (56) **References Cited**

**U.S. PATENT DOCUMENTS**

D249,808 S \* 10/1978 Bloom ..... 604/227  
 D459,806 S \* 7/2002 Webb ..... D24/150  
 7,488,297 B2 2/2009 Flaherty  
 7,955,347 B2 \* 6/2011 Stout ..... A61B 5/15144  
 606/181

**1 Claim, 5 Drawing Sheets**



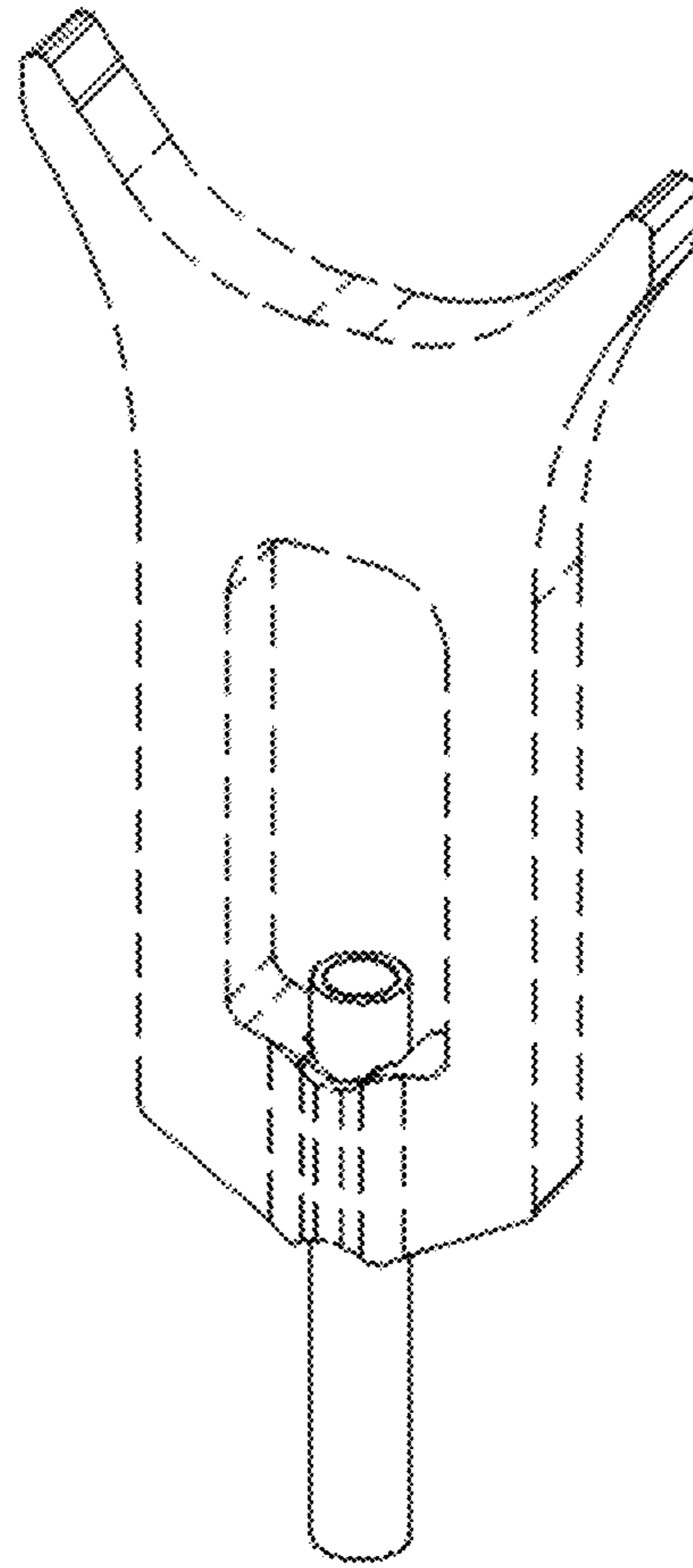


Fig. 1

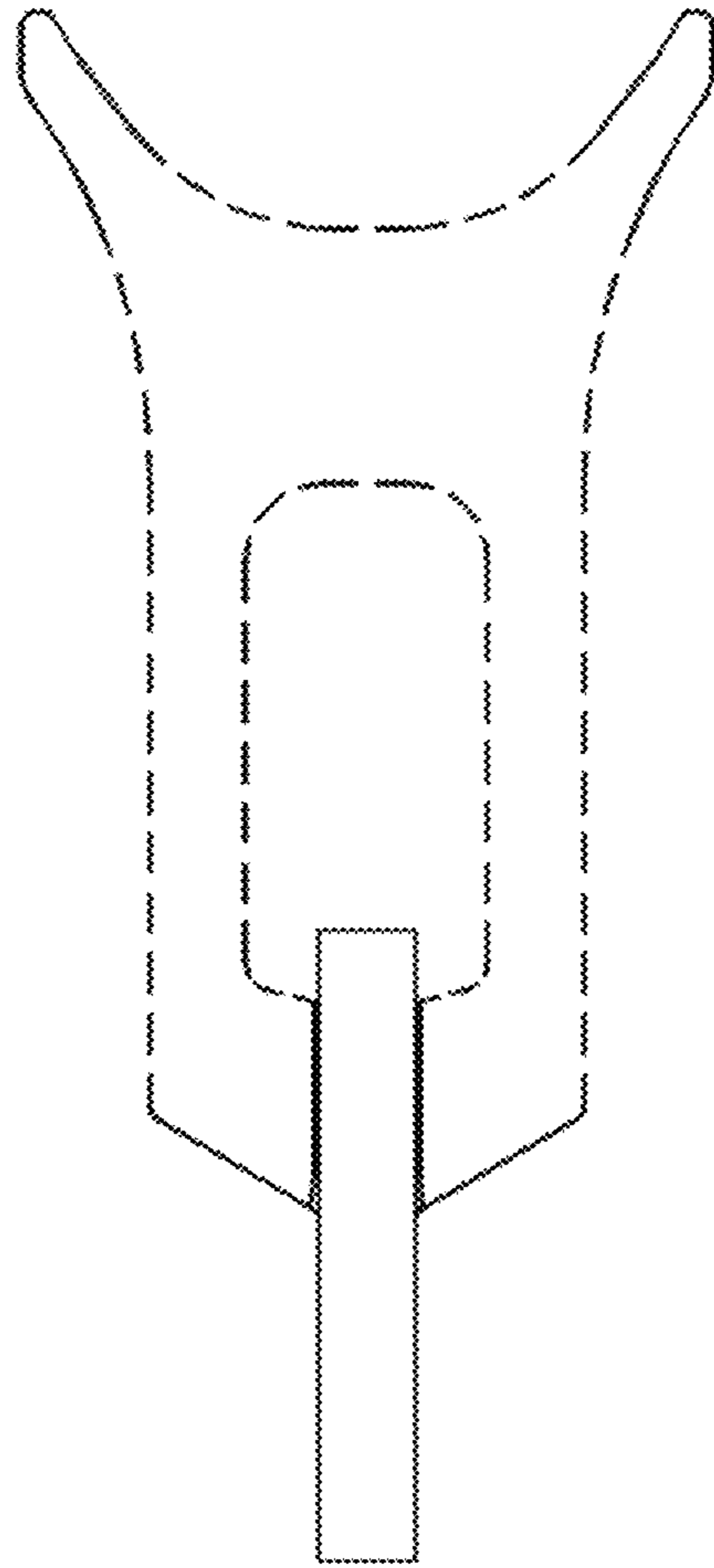


Fig. 2

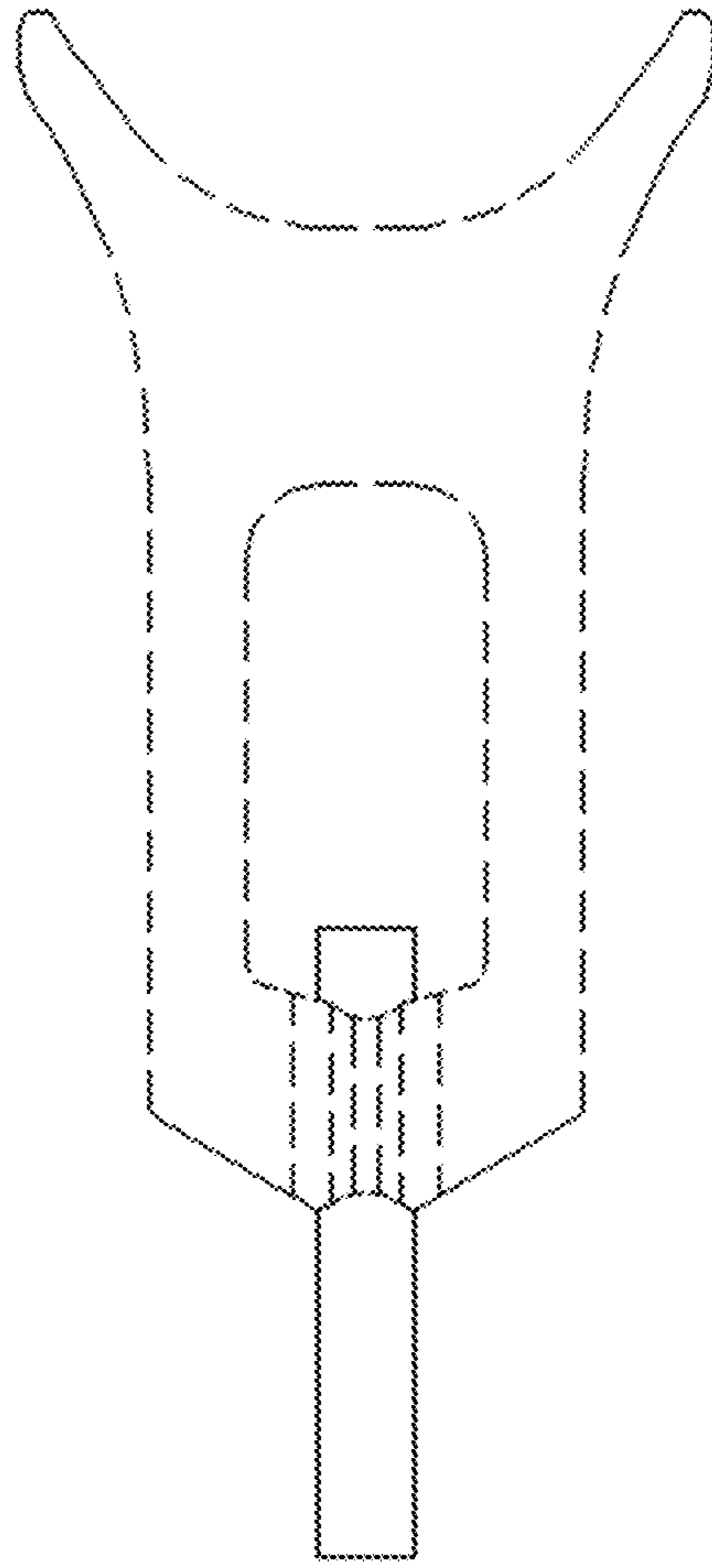


Fig. 3



Fig. 4



Fig. 5

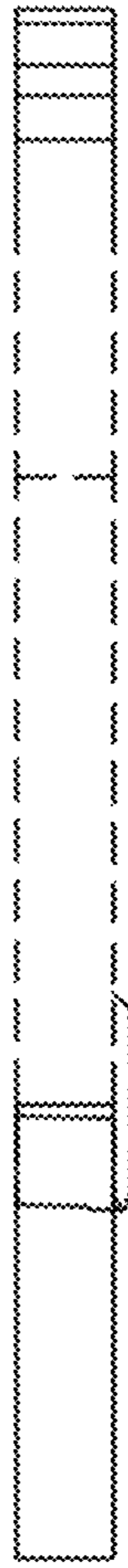


Fig. 6

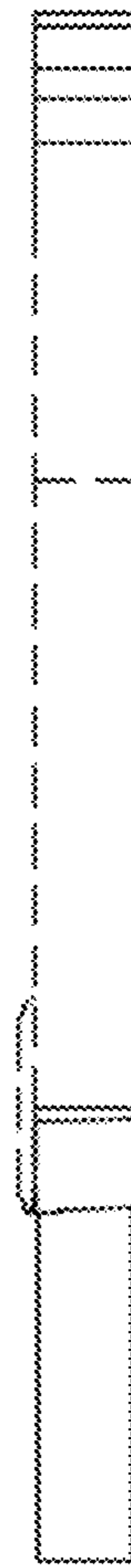


Fig. 7