



US00D987070S

(12) **United States Design Patent**
Fang

(10) **Patent No.:** **US D987,070 S**

(45) **Date of Patent:** **** May 23, 2023**

- (54) **ORAL IRRIGATOR**
- (71) Applicant: **SHENZHEN FORTUNECOME TECHNOLOGY CO., LTD.**, Shenzhen (CN)
- (72) Inventor: **Xiaolin Fang**, Shenzhen (CN)
- (73) Assignee: **SHENZHEN FORTUNECOME TECHNOLOGY CO., LTD.**, Shenzhen (CN)
- (**) Term: **15 Years**
- (21) Appl. No.: **29/797,311**
- (22) Filed: **Jun. 30, 2021**
- (51) **LOC (14) Cl.** **24-02**
- (52) **U.S. Cl.**
USPC **D24/111**
- (58) **Field of Classification Search**
USPC D24/107, 108, 111, 152, 176;
D4/100-102, 110, 111, 114, 138
CPC A61C 17/0202; A61C 17/028; A61C 17/0205; A61C 17/0092; A61C 17/02
See application file for complete search history.

- D944,973 S * 3/2022 Yu D24/111
- D948,032 S * 4/2022 Fang D24/111
- D951,648 S * 5/2022 Wang D4/101
- D953,520 S * 5/2022 Li D24/111
- D959,147 S * 8/2022 Yu D4/101
- D959,648 S * 8/2022 Yang D24/111
- D966,498 S * 10/2022 Massie D24/111

(Continued)

OTHER PUBLICATIONS

[Elifloss Water Dental flosser Oral Irrigator with 4 Modes, 7 Tips, Adjustable Intensity IPX7 Waterproof], Amazon.com, Date First Available: Jul. 8, 2021 [online], Customer Review Oldest Date: Jul. 21, 2021 [online], site visited: [Feb. 23, 2023], URL: <<https://www.amazon.com/Cordless-Pressure-Irrigator-Portable-Cleaning/dp/B098VYKM2R/>>. (Year: 2021).*

(Continued)

Primary Examiner — Jonathan J Han
Assistant Examiner — Amanda J Berlinski

(57) **CLAIM**

The ornamental design for an oral irrigator, as shown and described.

DESCRIPTION

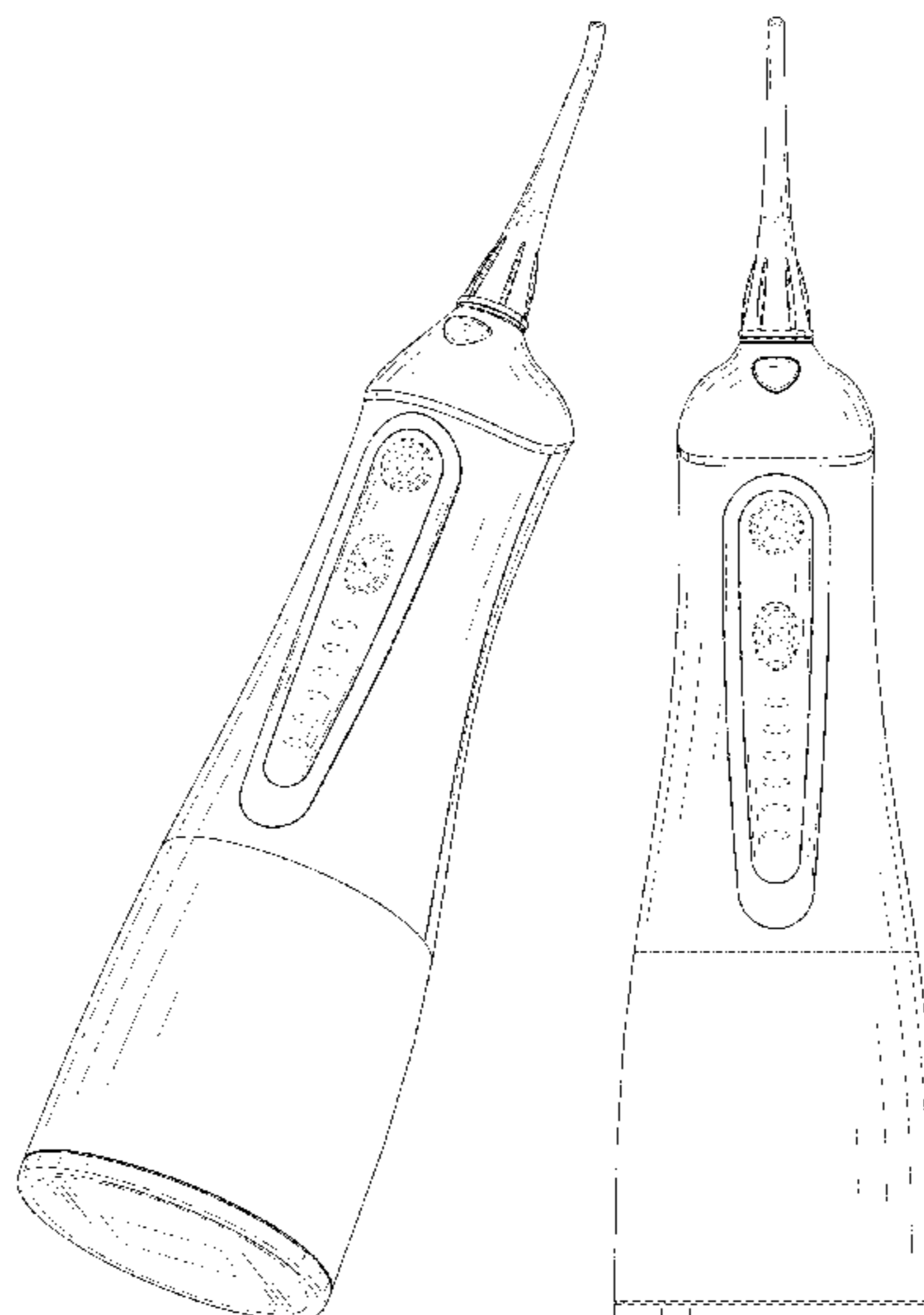
FIG. 1 is a perspective view of an oral irrigator showing my new design;
FIG. 2 is another perspective view thereof;
FIG. 3 is a front elevational view thereof;
FIG. 4 is a rear elevational view thereof;
FIG. 5 is a left side elevational view thereof;
FIG. 6 is a right side elevational view thereof;
FIG. 7 is a top plan view thereof; and,
FIG. 8 is a bottom plan view thereof.
The broken lines in the drawings depict portions of the oral irrigator that form no part of the claimed design.

1 Claim, 8 Drawing Sheets

(56) **References Cited**

U.S. PATENT DOCUMENTS

- D548,334 S * 8/2007 Izumi D24/111
- D772,396 S * 11/2016 Kim A61C 17/0202
D24/111
- D778,433 S * 2/2017 Li D24/111
- D780,908 S * 3/2017 Ladwig D24/111
- D804,016 S * 11/2017 Ladwig D24/111
- D806,228 S * 12/2017 Yan D24/176
- D815,274 S * 4/2018 Ladwig D24/111
- D819,196 S * 5/2018 Kim D24/111
- D888,935 S * 6/2020 Fang D24/111
- D907,198 S * 1/2021 Bessho D24/111
- D914,198 S * 3/2021 Li F04B 53/16
D24/111
- D929,575 S * 8/2021 Liu D24/111



(56)

References Cited

U.S. PATENT DOCUMENTS

D966,499 S * 10/2022 Zhang D24/111
D978,336 S * 2/2023 Li D24/111
2008/0008979 A1* 1/2008 Thomas A61C 17/028
433/80
2016/0151133 A1* 6/2016 Luetgen F04B 53/16
433/80
2021/0059785 A1* 3/2021 Yu A61C 1/0092
2021/0077235 A1* 3/2021 Yin A61C 17/0202
2022/0273405 A1* 9/2022 Yang A61C 17/0202

OTHER PUBLICATIONS

[Water Dental Flosser, Traveant Oral Irrigator Cordless 6 Modes 5 Tips with Storage Bag, 320ML Portable and Rechargeable IPX7 Waterproof Water Flosser (Black), Amazon.com, Date First Available: Oct. 8, 2022[online], Customer Review Oldest Date: Oct. 21, 2022 [online], site visited: [Feb. 23, 2023], URL: <<https://www.amazon.com/Traveant-Irrigator-Cordless-Rechargeable-Waterproof/dp/B0BHMXXHFZ>>. (Year: 2022).*

* cited by examiner

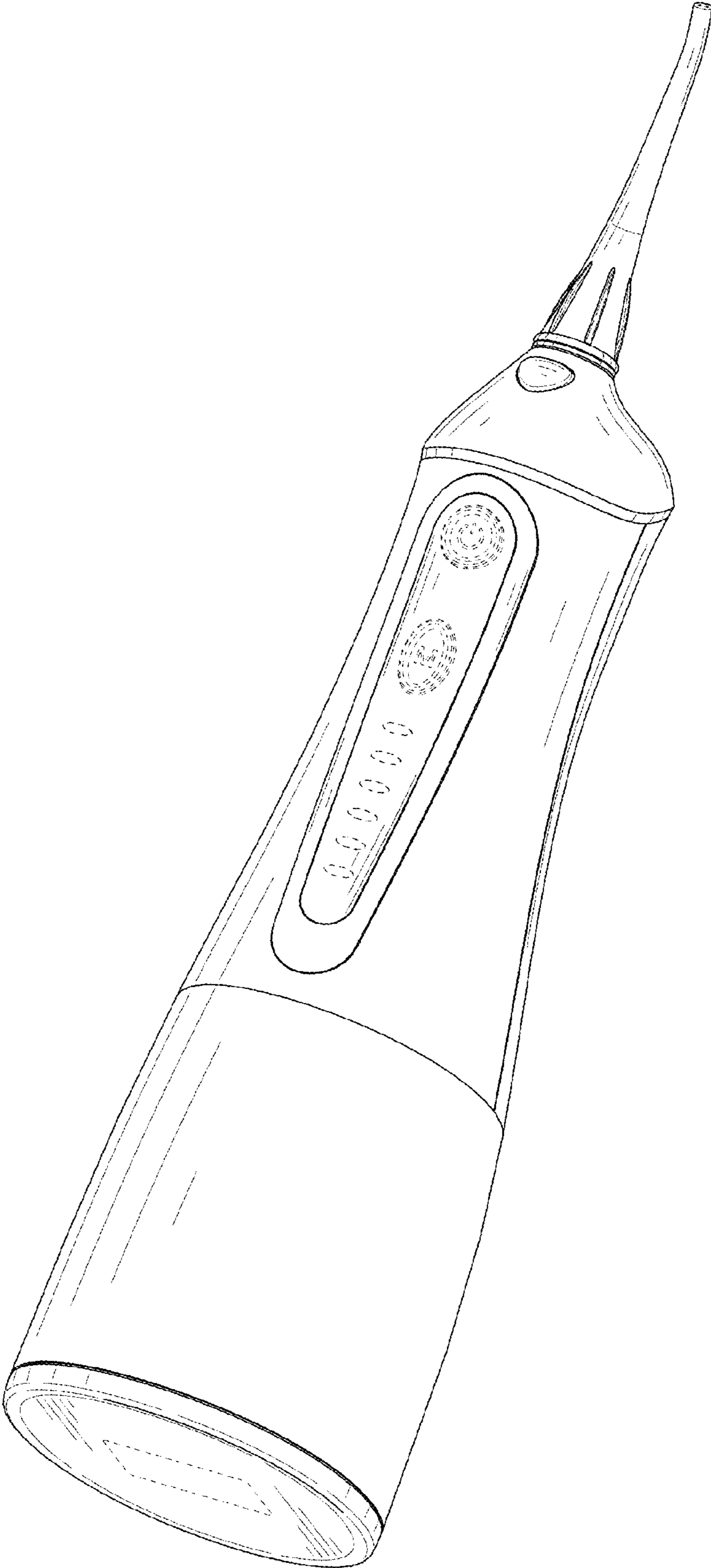


FIG. 1

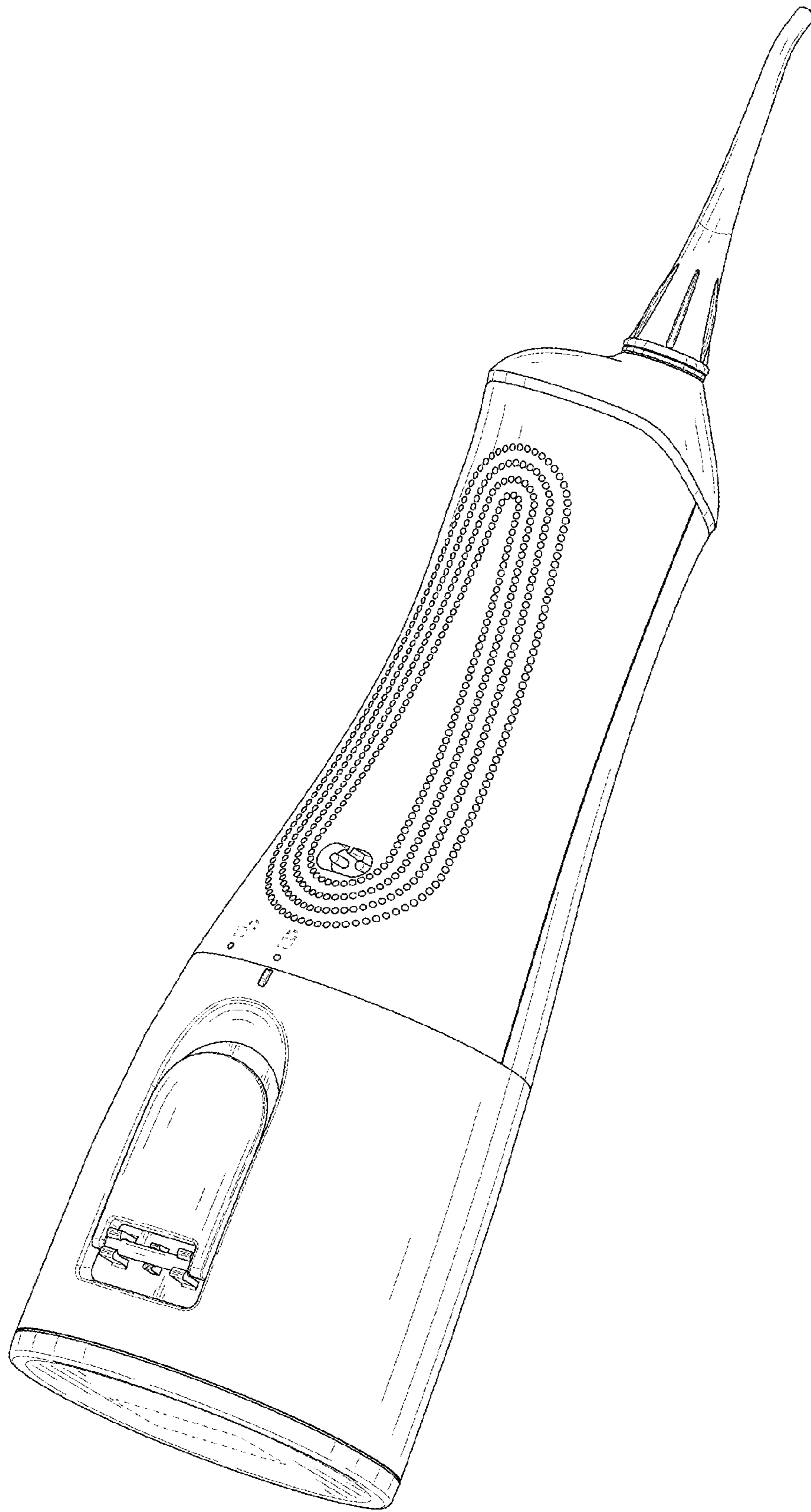


FIG. 2

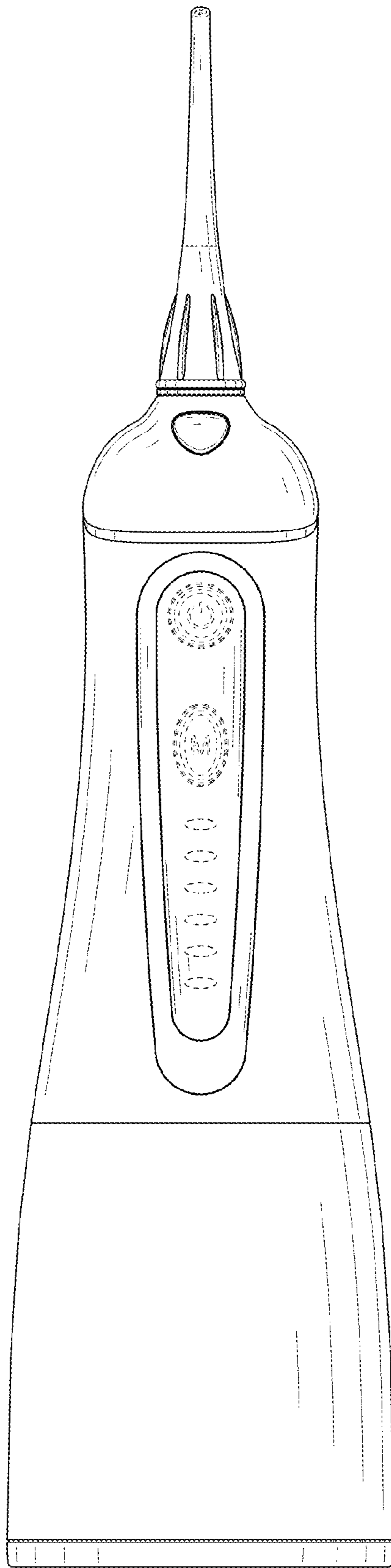


FIG. 3

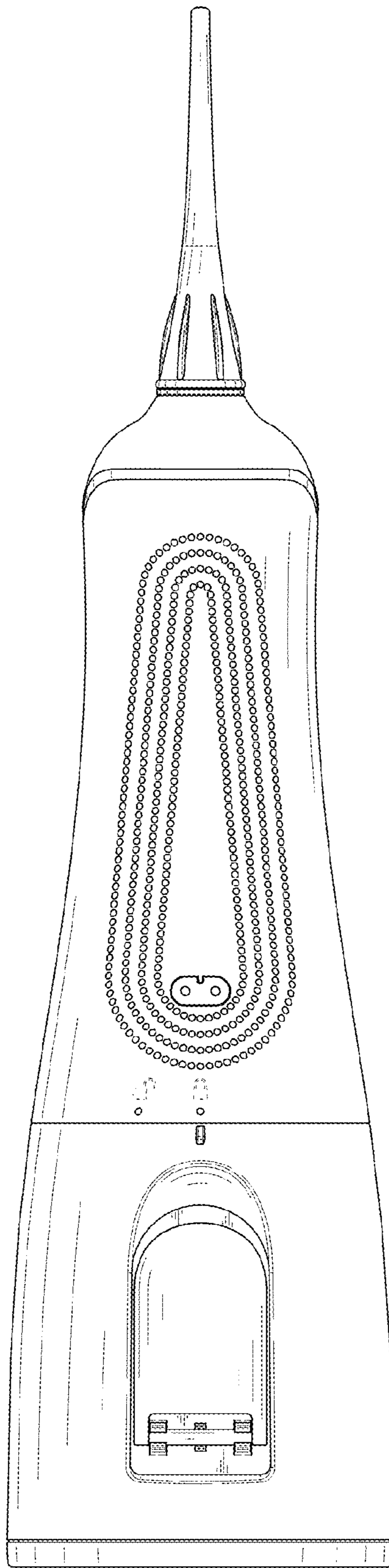


FIG. 4

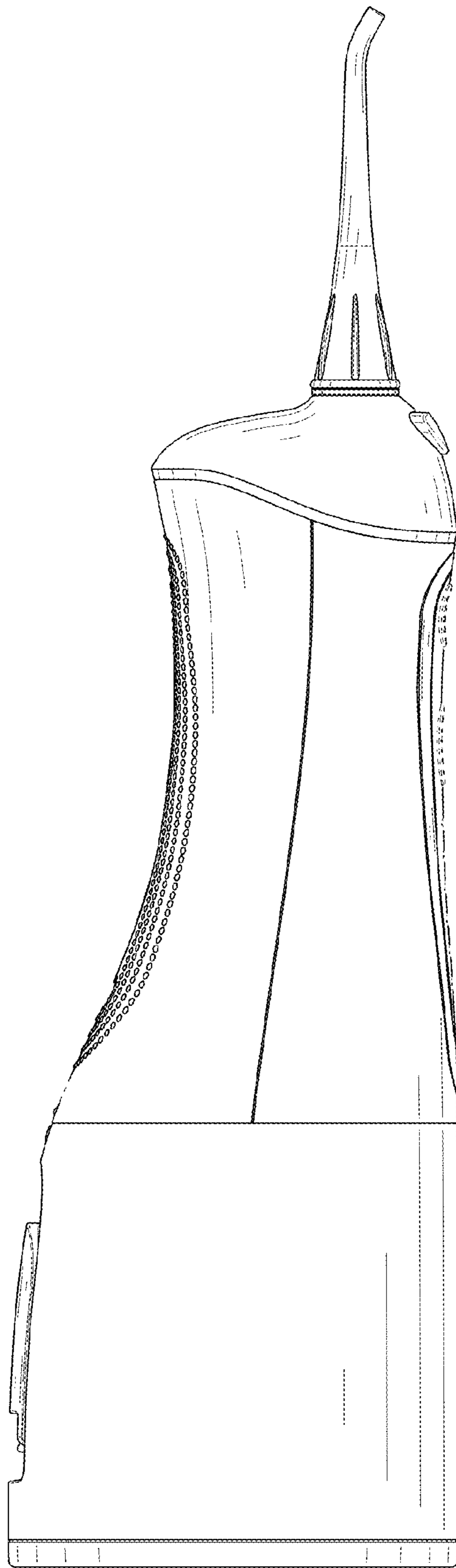


FIG. 5

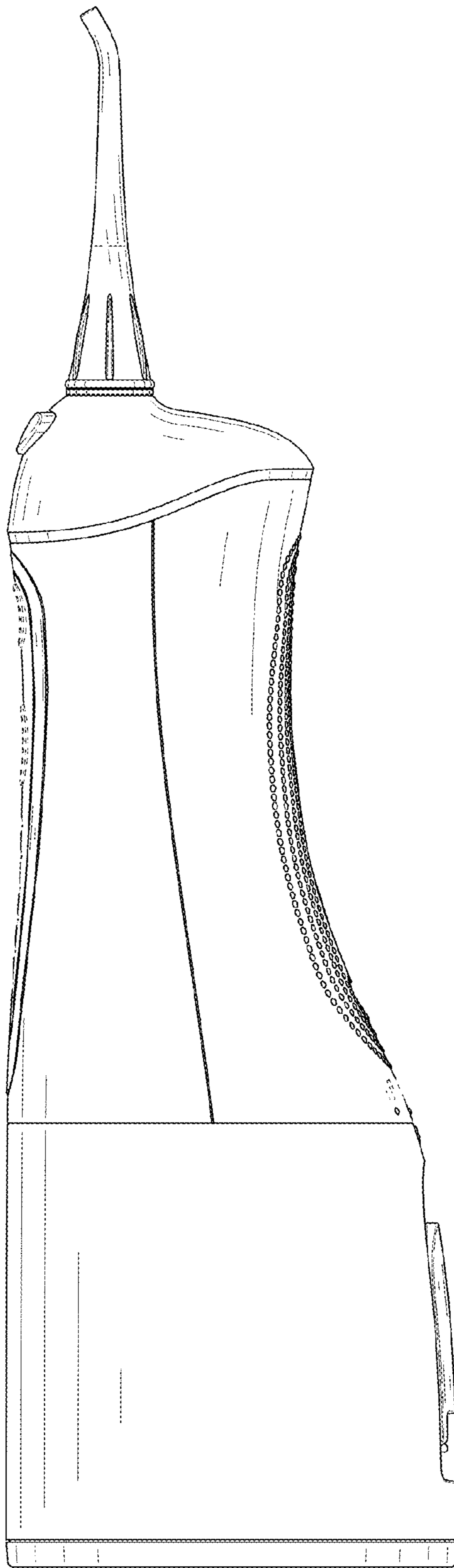


FIG. 6

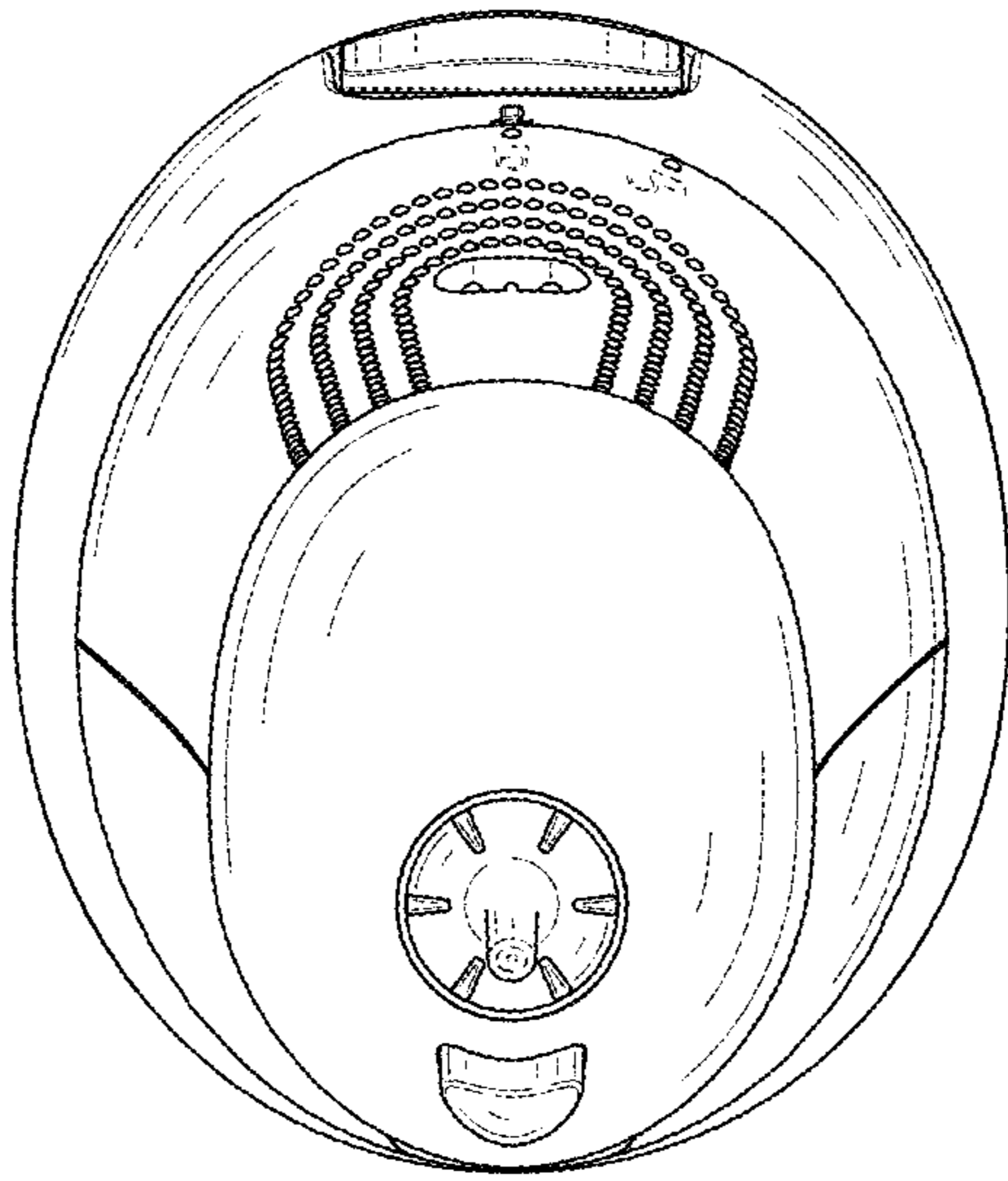


FIG. 7

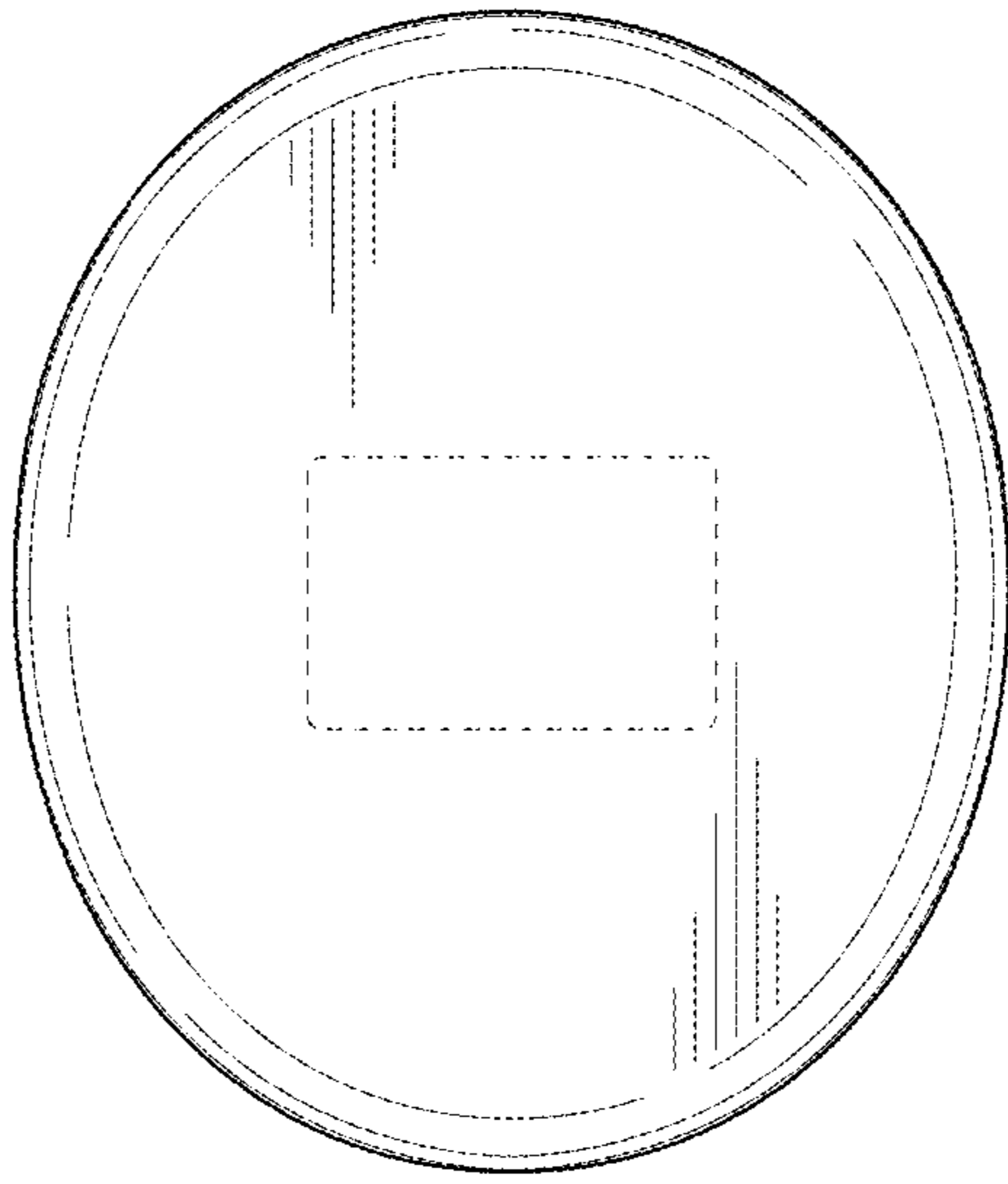


FIG. 8