



US00D987068S

(12) **United States Design Patent** (10) **Patent No.:** **US D987,068 S**
Walls et al. (45) **Date of Patent:** **** May 23, 2023**

- (54) **HEADGEAR ASSEMBLY**
- (71) Applicant: **Fisher & Paykel Healthcare Limited**, Auckland (NZ)
- (72) Inventors: **Bruce Michael Walls**, Auckland (NZ); **Rex Gordon Faithfull**, Auckland (NZ); **Arvin San Jose Gardiola**, Auckland (NZ); **Wen Dong Huang**, Auckland (NZ); **Matthew Robert Geoff Slight**, Auckland (NZ)
- (73) Assignee: **Fisher & Paykel Healthcare Limited**, Auckland (NZ)
- (**) Term: **15 Years**
- (21) Appl. No.: **29/740,372**
- (22) Filed: **Jul. 2, 2020**

Related U.S. Application Data

- (60) Continuation of application No. 29/707,821, filed on Oct. 1, 2019, now Pat. No. Des. 892,305, which is a continuation of application No. 29/680,929, filed on Feb. 21, 2019, now Pat. No. Des. 867,577, which is a continuation of application No. 29/640,467, filed on Mar. 14, 2018, now Pat. No. Des. 848,607, which is a division of application No. 29/581,677, filed on Oct. (Continued)

- (51) **LOC (14) Cl.** **29-02**
- (52) **U.S. Cl.**
USPC **D24/110.1**
- (58) **Field of Classification Search**
USPC D24/110, 110.1–110.4, 110.6, 127, 128; D29/108, 122
CPC A61M 16/06; A61M 16/0605; A61M 16/0616; A61M 16/0622; A61M 16/0633; A61M 16/0644; A61M 16/0666; A61M 16/0672; A61M 16/0683; A41M 16/08; A41M 16/0816

See application file for complete search history.

(56) **References Cited**

U.S. PATENT DOCUMENTS

- 2,979,794 A 4/1961 De Bartolo
 - 3,040,741 A 6/1962 Carolan
- (Continued)

FOREIGN PATENT DOCUMENTS

- EP 2 866 870 5/2015
 - JP D1464190 2/2013
- (Continued)

OTHER PUBLICATIONS

Australian Examination Report for Application No. 2019232901 dated Oct. 13, 2020, 4 pages.
(Continued)

Primary Examiner — Daniel J Domino
Assistant Examiner — Lee D. Starr
(74) *Attorney, Agent, or Firm* — Knobbe Martens Olson & Bear LLP

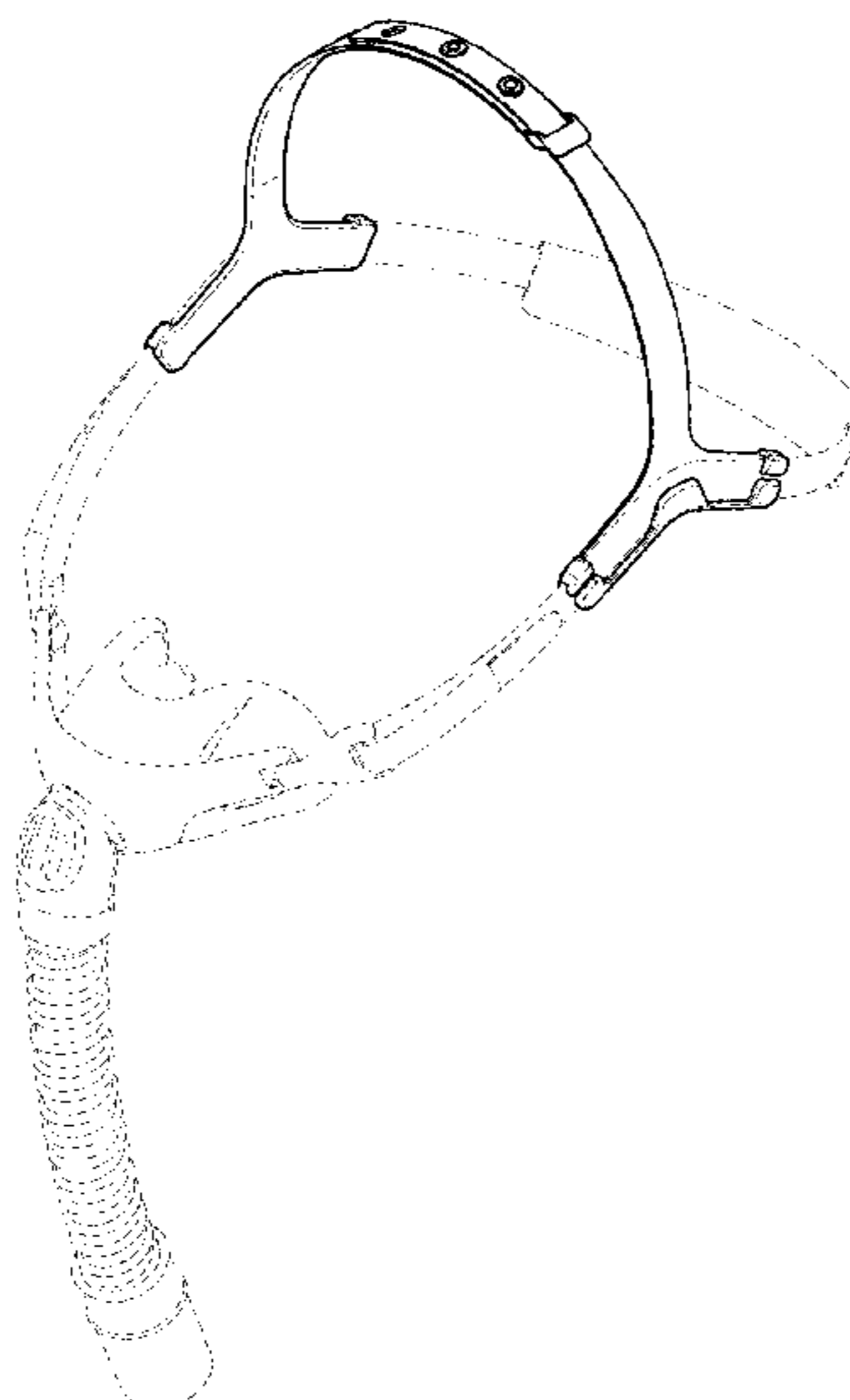
(57) **CLAIM**

The ornamental design for a headgear assembly, as shown and described.

DESCRIPTION

FIG. 1 is a top, front and right-side perspective view of a headgear assembly, showing our new design;
FIG. 2 is a front view thereof;
FIG. 3 is a back view thereof;
FIG. 4 is a left-side view thereof;
FIG. 5 is a right-side view thereof;
FIG. 6 is a top view thereof; and,
FIG. 7 is a bottom view thereof.
The broken lines in the drawings depict portions of the headgear assembly that form no part of the claimed design.

1 Claim, 7 Drawing Sheets



Related U.S. Application Data

20, 2016, now Pat. No. Des. 815,728, which is a division of application No. 29/475,080, filed on Nov. 27, 2013, now Pat. No. Des. 770,036.

(56)

References Cited

U.S. PATENT DOCUMENTS

3,416,521	A	12/1968	Hamlin	
3,599,635	A	8/1971	Ansite	
3,850,168	A	11/1974	Ferguson et al.	
4,915,106	A	4/1990	Auglar	
D335,367	S	5/1993	Mieskoski	
5,394,568	A	3/1995	Brostrom et al.	
5,517,986	A	5/1996	Starr et al.	
5,724,965	A	3/1998	Handke	
6,119,694	A	9/2000	Correa et al.	
D496,726	S	9/2004	Amarasinghe et al.	
D532,511	S	11/2006	Amarasinghe	
D532,512	S	11/2006	Amarasinghe	
D536,092	S	1/2007	Amarasinghe	
D540,940	S	4/2007	Amarasinghe et al.	
D542,912	S	5/2007	Gunaratnam et al.	
D546,441	S	7/2007	Hitchcock et al.	
D561,332	S	2/2008	Amarasinghe et al.	
D612,933	S	3/2010	Prentice et al.	
D653,748	S	2/2012	Henry et al.	
D656,231	S	3/2012	Henry et al.	
D668,000	S *	9/2012	Folkesson	D29/122
D668,328	S	10/2012	Hill et al.	
D691,257	S	10/2013	Siew et al.	
D692,554	S	10/2013	Siew et al.	
D696,767	S	12/2013	Scheiner et al.	
D704,329	S	5/2014	Collazo et al.	
D706,413	S	6/2014	Veliss et al.	
D709,181	S	7/2014	Henry et al.	
8,839,791	B2	9/2014	Allum et al.	
D723,159	S *	2/2015	Whitfield	D24/128
8,985,115	B2	3/2015	Baecke et al.	
D729,381	S	5/2015	Himes et al.	
D737,953	S	9/2015	Wells et al.	
D746,436	S	12/2015	Guney et al.	
D747,460	S	1/2016	Hogea et al.	
D770,036	S	10/2016	Walls et al.	
D771,239	S	11/2016	Walls et al.	
D787,661	S	5/2017	Edwards	
D797,921	S	9/2017	Huang et al.	
D815,728	S	4/2018	Walls et al.	
D822,194	S	7/2018	Walls et al.	
10,039,894	B2	8/2018	Walls et al.	
10,080,856	B2	9/2018	McLaren et al.	
D848,607	S	5/2019	Walls et al.	
D849,930	S *	5/2019	Walls	D24/110.1
D854,756	S	7/2019	Hovan et al.	
D854,758	S	7/2019	Rosca et al.	
D858,746	S	9/2019	Lee et al.	
D867,577	S	11/2019	Walls et al.	
D870,977	S	12/2019	Berggren et al.	
D875,242	S	2/2020	Gordon et al.	
D876,616	S	2/2020	Prentice et al.	
D879,287	S	3/2020	Walls et al.	
D892,305	S	8/2020	Walls et al.	
2002/0011248	A1 *	1/2002	Hansen	A61M 16/0683 128/207.11
2003/0196658	A1	10/2003	Ging et al.	
2004/0112377	A1	6/2004	Amarasinghe et al.	
2004/0226566	A1	11/2004	Gunaratnam et al.	
2005/0268914	A1	12/2005	Paoluccio	
2006/0081252	A1	4/2006	Wood	
2007/0163600	A1	7/2007	Hoffman	
2008/0190432	A1	8/2008	Blochlinger et al.	
2009/0044808	A1	2/2009	Guney et al.	
2009/0095298	A1	4/2009	Gunaratnam et al.	
2009/0250065	A1	10/2009	Omura et al.	

2010/0037897	A1	2/2010	Wood
2010/0224109	A1	9/2010	Meng
2010/0224199	A1	9/2010	Smith et al.
2010/0229868	A1	9/2010	Rummery et al.
2010/0258136	A1	10/2010	Doherty et al.
2011/0000492	A1	1/2011	Veliss et al.
2011/0146685	A1	6/2011	Allan et al.
2011/0197341	A1	8/2011	Formica et al.
2011/0232649	A1	9/2011	Collazo et al.
2011/0253143	A1	10/2011	Ho et al.
2011/0259335	A1	10/2011	Sullivan
2012/0067349	A1	3/2012	Barlow et al.
2012/0090622	A1	4/2012	Chang
2012/0138060	A1	6/2012	Barlow
2012/0174922	A1	7/2012	Virr et al.
2012/0222680	A1	9/2012	Eves et al.
2013/0042871	A1	2/2013	Chang
2013/0186403	A1	7/2013	Chang
2013/0199537	A1	8/2013	Formica et al.
2013/0220327	A1	8/2013	Barlow et al.
2014/0000614	A1	1/2014	Chang
2014/0264975	A1	9/2014	Bath et al.
2014/0283843	A1	9/2014	Eves et al.
2015/0151071	A1	6/2015	Von Moger et al.
2015/0199479	A1	7/2015	Semen et al.
2015/0224274	A1	8/2015	Siew et al.
2015/0290415	A1	10/2015	Dunn
2015/0335848	A1	11/2015	Eury et al.
2016/0051784	A1	2/2016	Eury et al.
2016/0151596	A1	6/2016	Slight et al.
2016/0166792	A1	6/2016	Allan et al.
2016/0166793	A1	6/2016	McLaren et al.
2016/0287830	A1	10/2016	Walls et al.
2017/0080173	A1	3/2017	Barlow et al.
2017/0119988	A1	5/2017	Allan et al.
2018/0078725	A1	3/2018	Richardson et al.
2018/0304036	A1	10/2018	Huang et al.
2018/0318541	A1	11/2018	Walls et al.
2019/0030272	A1	1/2019	Graham et al.
2019/0298957	A1	10/2019	McAuley et al.
2019/0298959	A1	10/2019	Barlow et al.
2019/0351172	A1	11/2019	Formica et al.
2020/0023153	A1	1/2020	Chou et al.

FOREIGN PATENT DOCUMENTS

KR	1008282240	B1	5/2008
WO	WO 2007/041786	A1	4/2007
WO	WO 2009/059353	A1	5/2009
WO	WO 2011/060479	A1	5/2011
WO	WO 2012/045127		4/2012
WO	WO 2013/082649		6/2013
WO	WO 2014/025267		2/2014
WO	WO 2014/175753	A1	10/2014

OTHER PUBLICATIONS

Australian Examination Report; dated Jul. 8, 2016; 5 pages.
 International Search Report; PCT/IB2014/066374; dated Feb. 16, 2015; 3 pages.
 International Preliminary Report on Patentability; PCT/IB2014/066374; dated Jun. 9, 2016; 5 page.
 Reason for Rejection from Examination Report [Partial Translation], Japanese Design Application No. 2014-011228.
 Supplementary Search Report in European Application No. 14865246.4 dated Jun. 16, 2017 in 7 pages.
 Australian Examination Report for Australian patent application 2017245368; dated Sep. 27, 2018; 3 pages.
 Extended Search report in European Application No. 19157638.8 dated Aug. 16, 2019 in 7 pages.
 Australian Examination Report for Application No. 2017245368 dated Sep. 17, 2019, 7 pages.

* cited by examiner

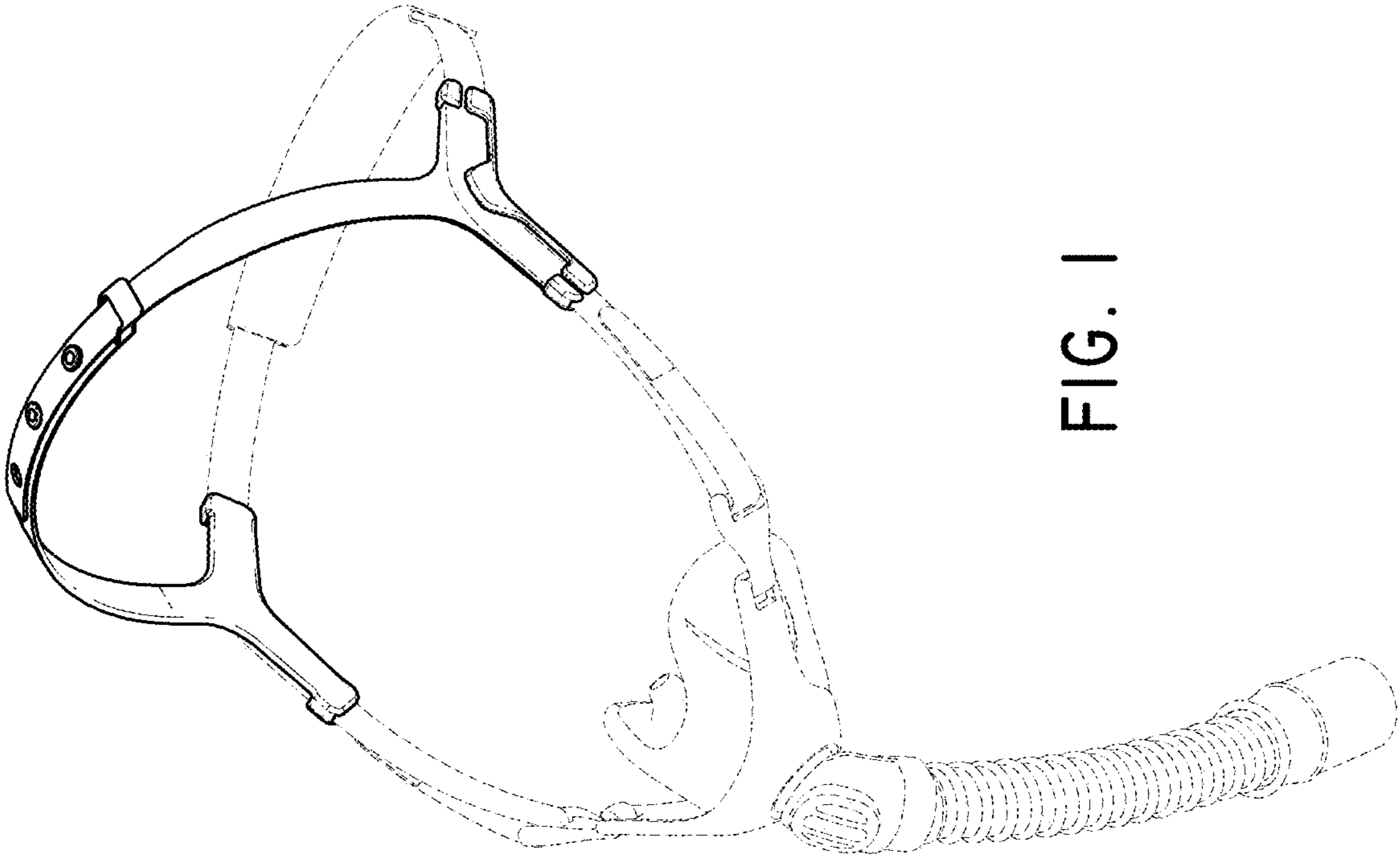


FIG. 1

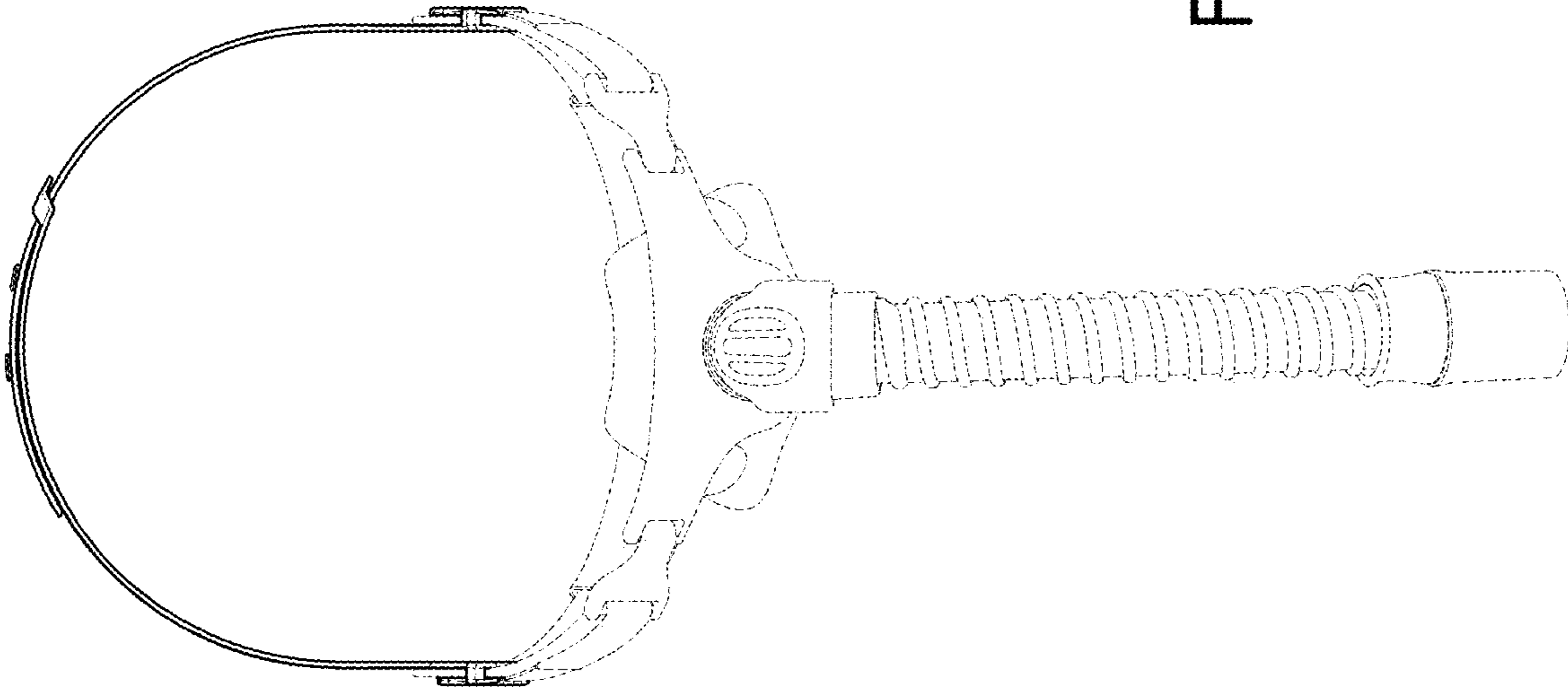


FIG. 2

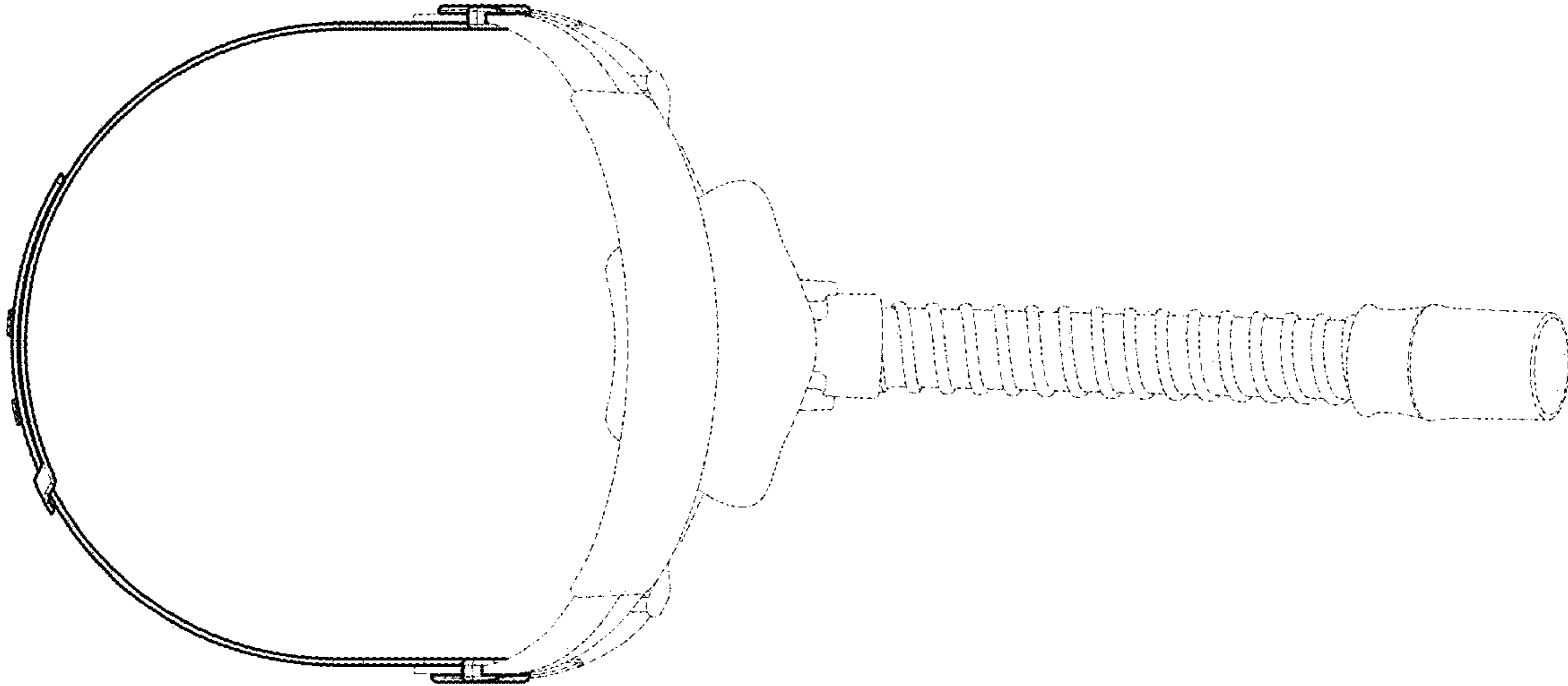


FIG. 3

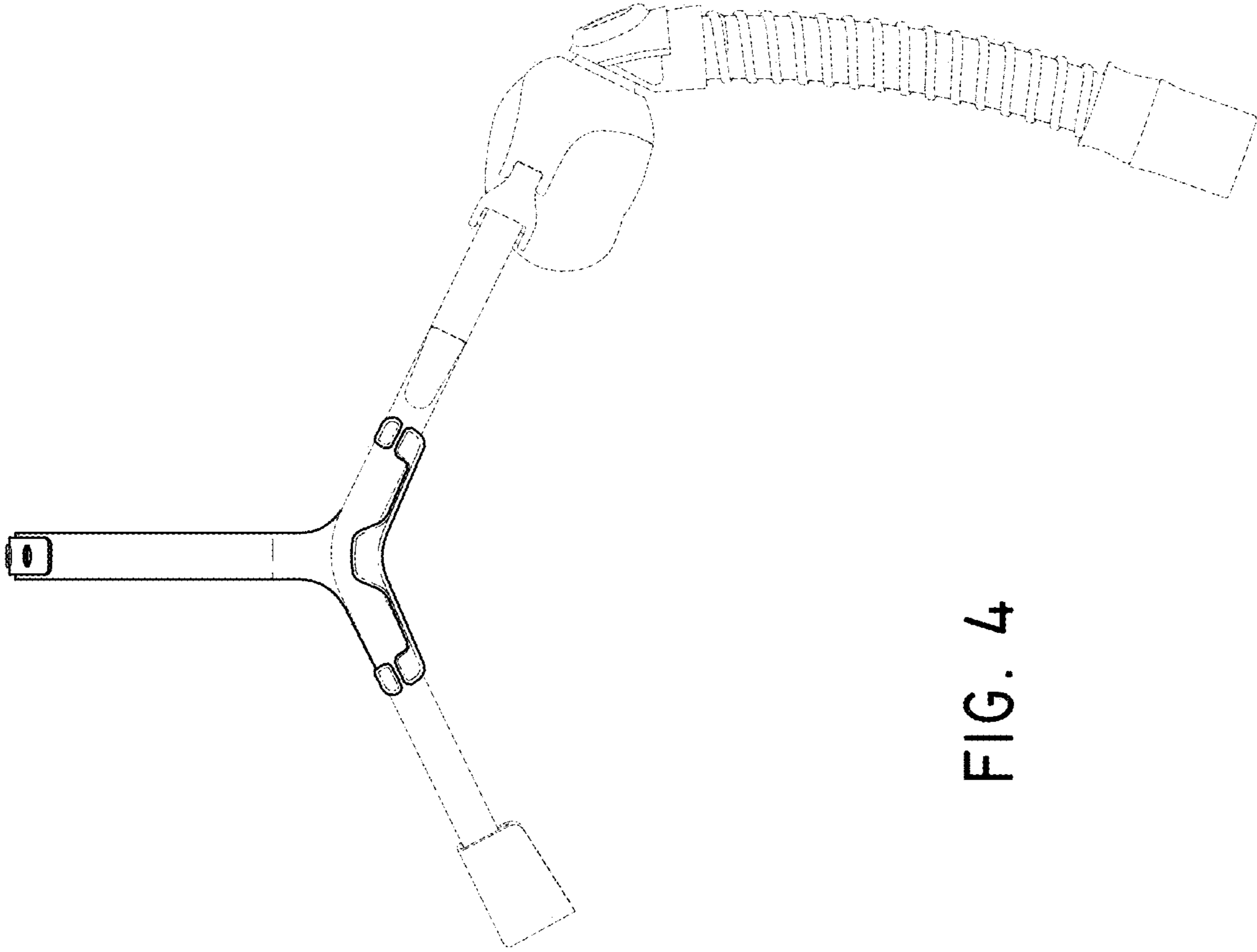


FIG. 4

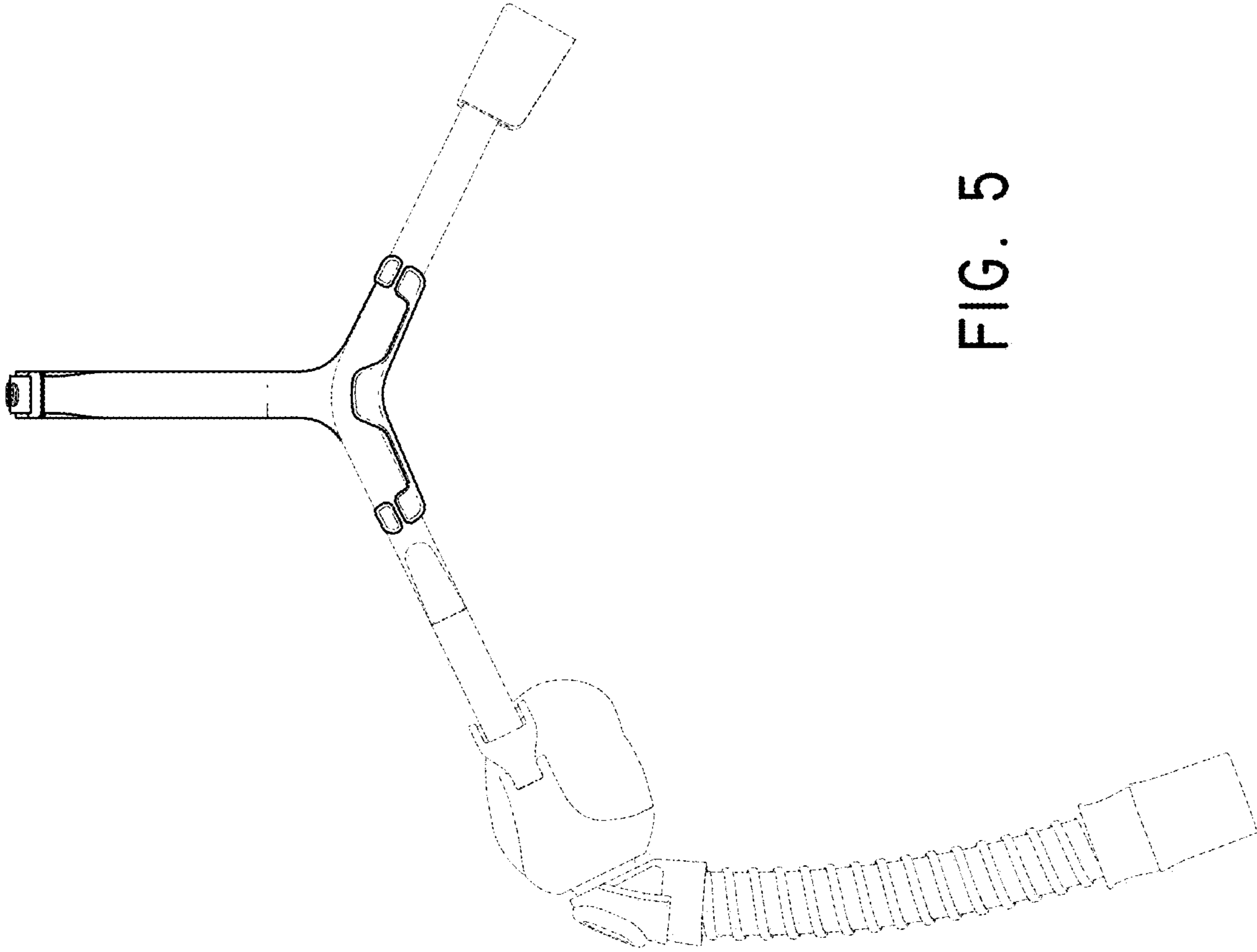


FIG. 5

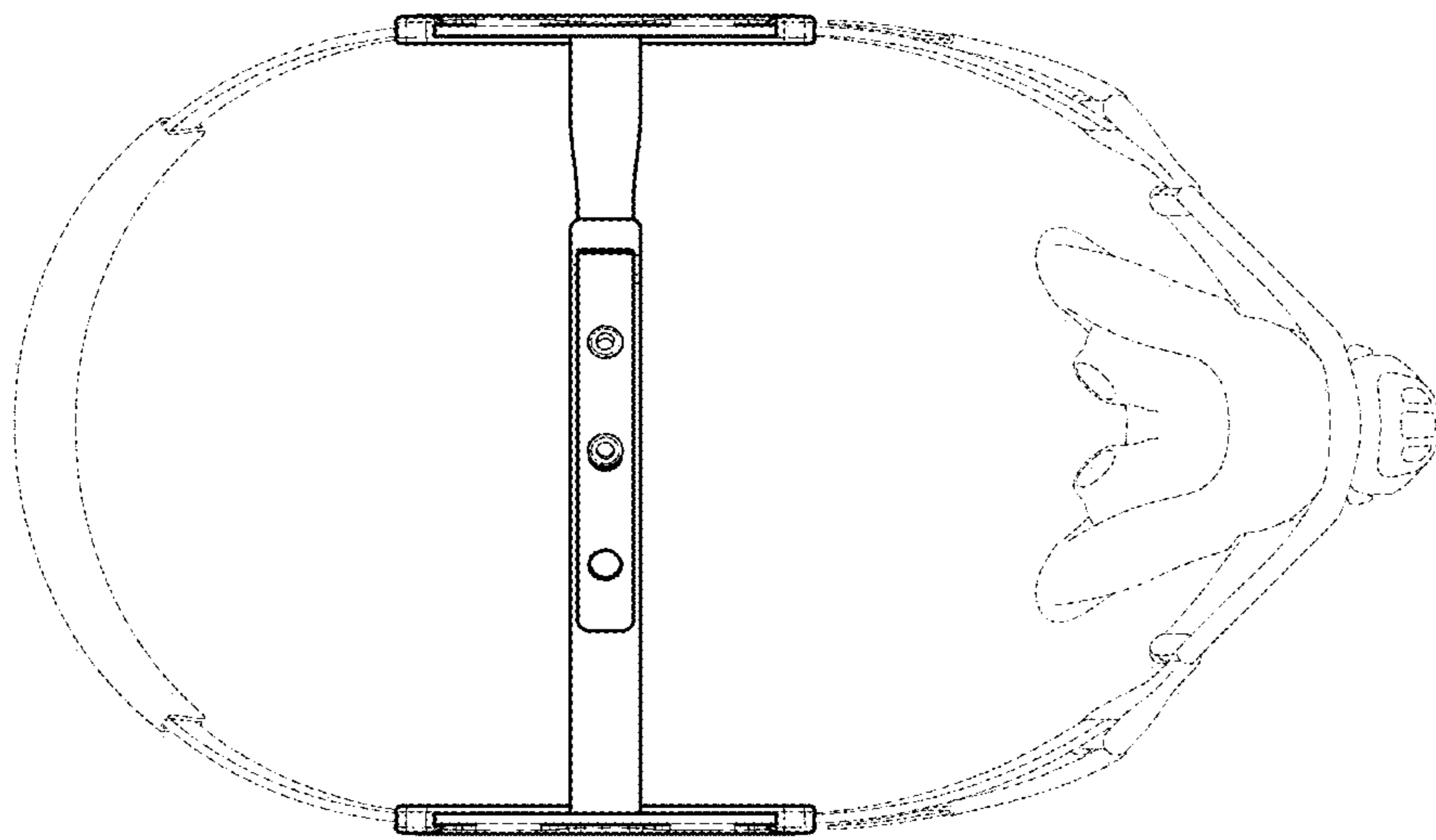


FIG. 6

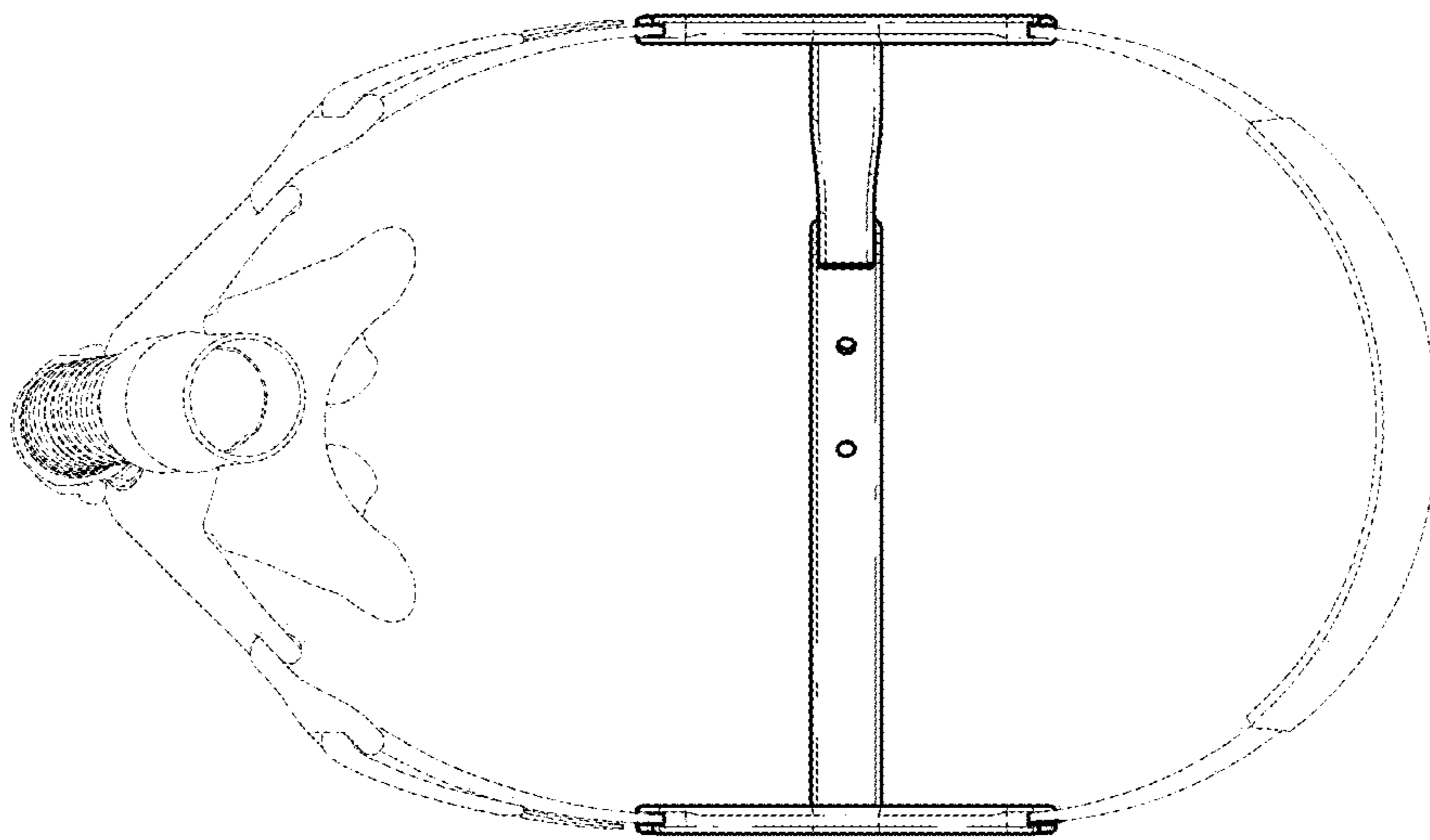


FIG. 7