



US00D987067S

(12) **United States Design Patent** (10) **Patent No.:** **US D987,067 S**  
**Huang** (45) **Date of Patent:** **\*\* May 23, 2023**

(54) **BREAST PUMP**

FOREIGN PATENT DOCUMENTS

(71) Applicant: **Shenzhen Lianghao Technology Co., Ltd, Shenzhen (CN)**

CN 307595381 \* 10/2022  
CN 307842604 \* 2/2023

(72) Inventor: **Zhenqiang Huang, Shenzhen (CN)**

OTHER PUBLICATIONS

(\*\*) Term: **15 Years**

(21) Appl. No.: **29/885,451**

(22) Filed: **Feb. 24, 2023**

(51) **LOC (14) Cl.** ..... **24-02**

(52) **U.S. Cl.**

USPC ..... **D24/109**

(58) **Field of Classification Search**

USPC .... D24/107–110.5, 111, 113, 121, 127, 185,  
D24/186, 193, 197, 209, 231; D9/436,  
D9/455, 500, 549; D7/700; D13/168;  
D14/172, 203.2–203.7, 204; D15/7–9  
CPC ..... A61M 1/06; A61M 1/062; A61M 1/064;  
A61M 2210/1007; A61M 2205/07; A61M  
1/80; A61M 1/066; A61J 9/00; A61J  
9/001

See application file for complete search history.

Wearable Breast Pump Hands Free, XIMYRA. May 21, 2022. Site visited Mar. 8, 2023. [https://www.amazon.com/Wearable-XIMYRA-Portable-Breastfeeding-Breastpump/dp/B09YPRR2Q6] (Year: 2022).\*  
Bioboo Hands Free Breast Pump. Dec. 21, 2022. Site visited Mar. 8, 2023. [https://www.amazon.com/Wearable-Silicone-Function-Portable-Electric/dp/B0BQRDD52Q/ref=sxin\_16\_pa\_sp\_search\_thematic\_sspa?content-id=amzn1.sym.db5bdf6b-c3cb-4492-ada6-1426f4f364d5%3Aamzn1.sym.db5bdf6b-c3cb-4492-ada6-1426f4f364d5&cv\_ct\_cx=breast+pump&keywords=breast+pump&pd\_rd\_i=B0BQRDD52Q&pd\_rd\_r=1595def9-6b89-43b3-a63e-30ff1a5f0658&pd\_rd\_w=9nHsK&pd\_rd\_wg=v29Mp&pf\_rd\_p=db5bdf6b-c3cb-4492-ada6-1426f4f364d5&pf\_rd\_r=9SVA604DTZ3J16BB40FC&qid=1678309702&sr=1-1-a73d1c8c-2fd2-4f19-aa41-2df0222bcb241-spons&psc=1&spLa=ZW5jcnlwdG V kUXVhbGlmaWVyPUEuXjZUQzRISVpSNjBTJmVuY3J5cHRl ZEIkPUEwNDc4MDYzMTJFV0xGT0lWVk15MSZlbnNyeXB0Z WRBZEIkPUEwNTA0NDExM0oxVVNDWEpYS0Y0QiZ3aWRn ZXROYWlIPXNwX3NIYXJjaF90aGVtYXRpYyZhY3Rpb249Y2 xpY2tSZWRpcmVjdCZkb05vdExvZ0NsaWNrPXRydWU=] (Year: 2022).\*

\* cited by examiner

(56) **References Cited**

U.S. PATENT DOCUMENTS

D283,732 S \* 5/1986 Elliott ..... D24/109  
D313,103 S 12/1990 Kawano  
D408,528 S \* 4/1999 Kan ..... D24/109  
D484,236 S \* 12/2003 Renz ..... D24/109  
D485,614 S \* 1/2004 Renz ..... D24/109  
D486,223 S \* 2/2004 Robson ..... D24/109  
D496,097 S 9/2004 Rosnak et al.  
D688,786 S 8/2013 Cudworth  
D766,420 S \* 9/2016 Jaeger-Waldau ..... D24/109  
D783,803 S \* 4/2017 Rigert ..... D24/109  
10,183,102 B2 \* 1/2019 Kim ..... A61M 1/064  
D898,185 S 10/2020 Gong  
D932,003 S 9/2021 Zhang  
D963,835 S \* 9/2022 Conklin ..... D24/109  
D965,136 S \* 9/2022 Feng ..... D24/109  
D975,837 S 1/2023 Yan  
D976,423 S 1/2023 Wainstein et al.

(57) **CLAIM**

The ornamental design for a breast pump, as shown and described.

**DESCRIPTION**

FIG. 1 is a front, right, and top perspective view of a breast pump, showing my new design;  
FIG. 2 is rear, left, and bottom perspective view thereof;  
FIG. 3 is a front elevational view thereof;  
FIG. 4 is a rear elevational view thereof;  
FIG. 5 is a left elevational view thereof;  
FIG. 6 is a right elevational view thereof;

(Continued)

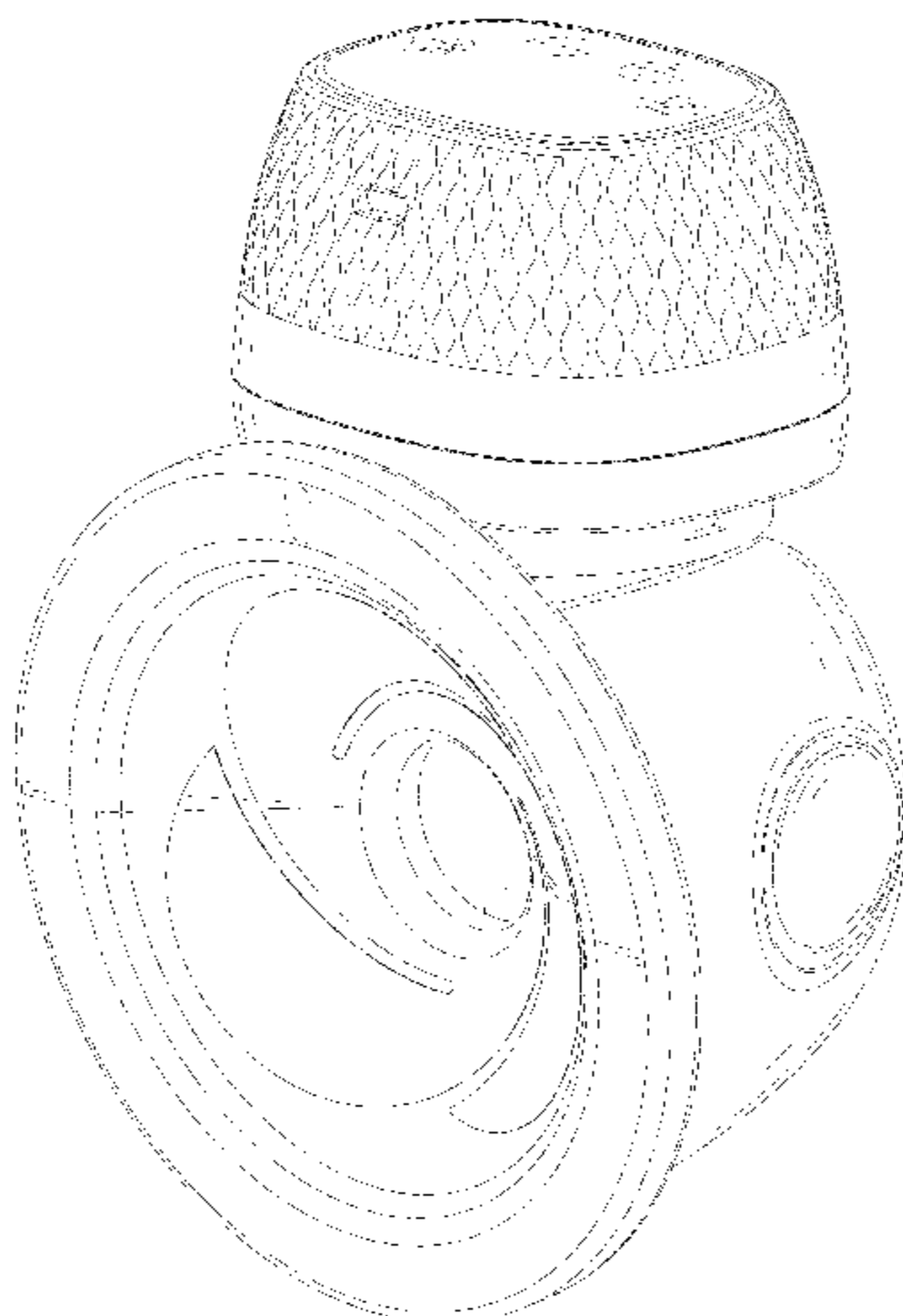


FIG. 7 is a top plan view thereof;  
FIG. 8 is a bottom plan view thereof; and,  
FIG. 9 is an exploded view thereof.  
The broken lines depict portions of the breast pump that  
form no part of the claimed design.

**1 Claim, 9 Drawing Sheets**

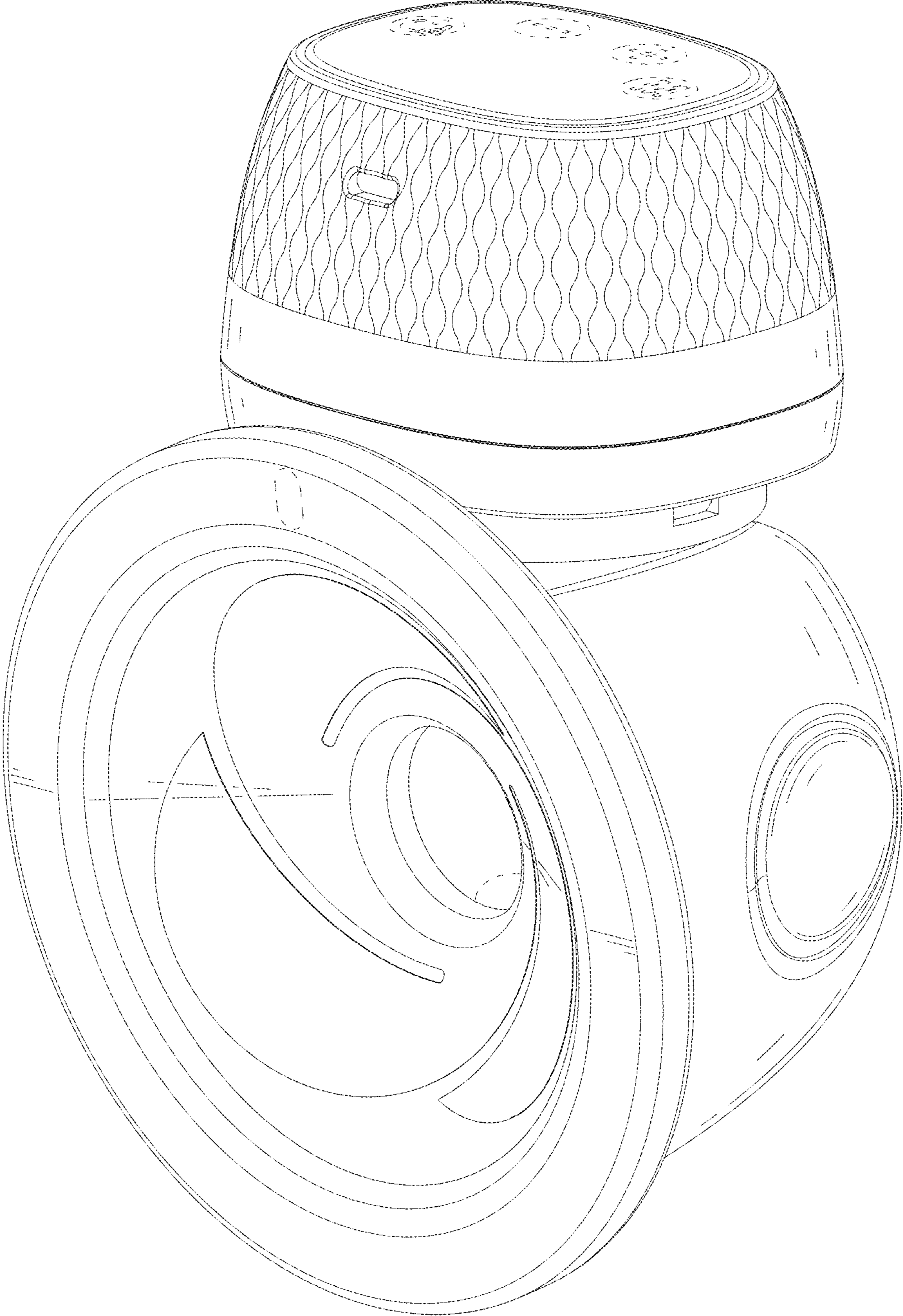


FIG.1

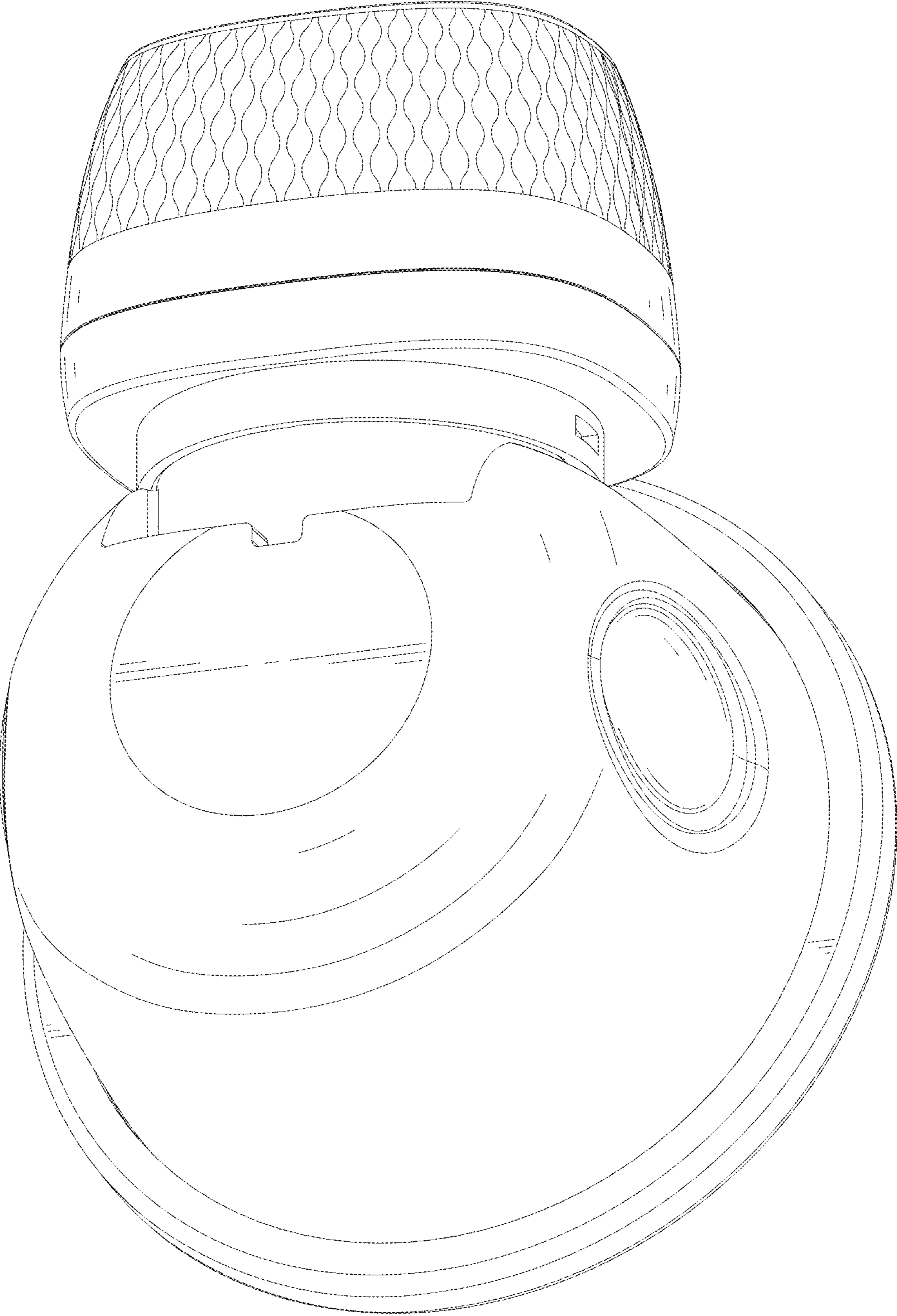


FIG.2

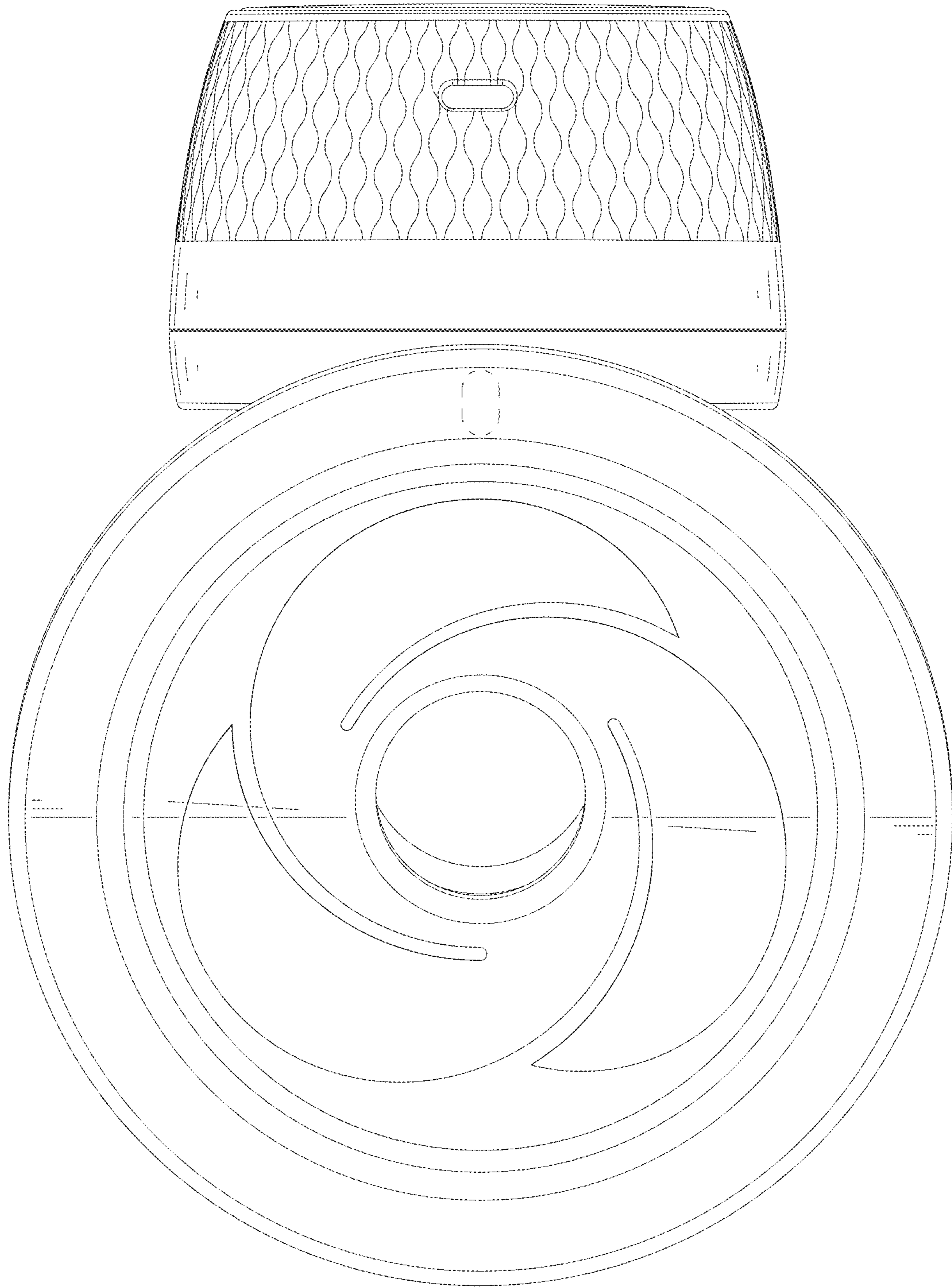


FIG. 3

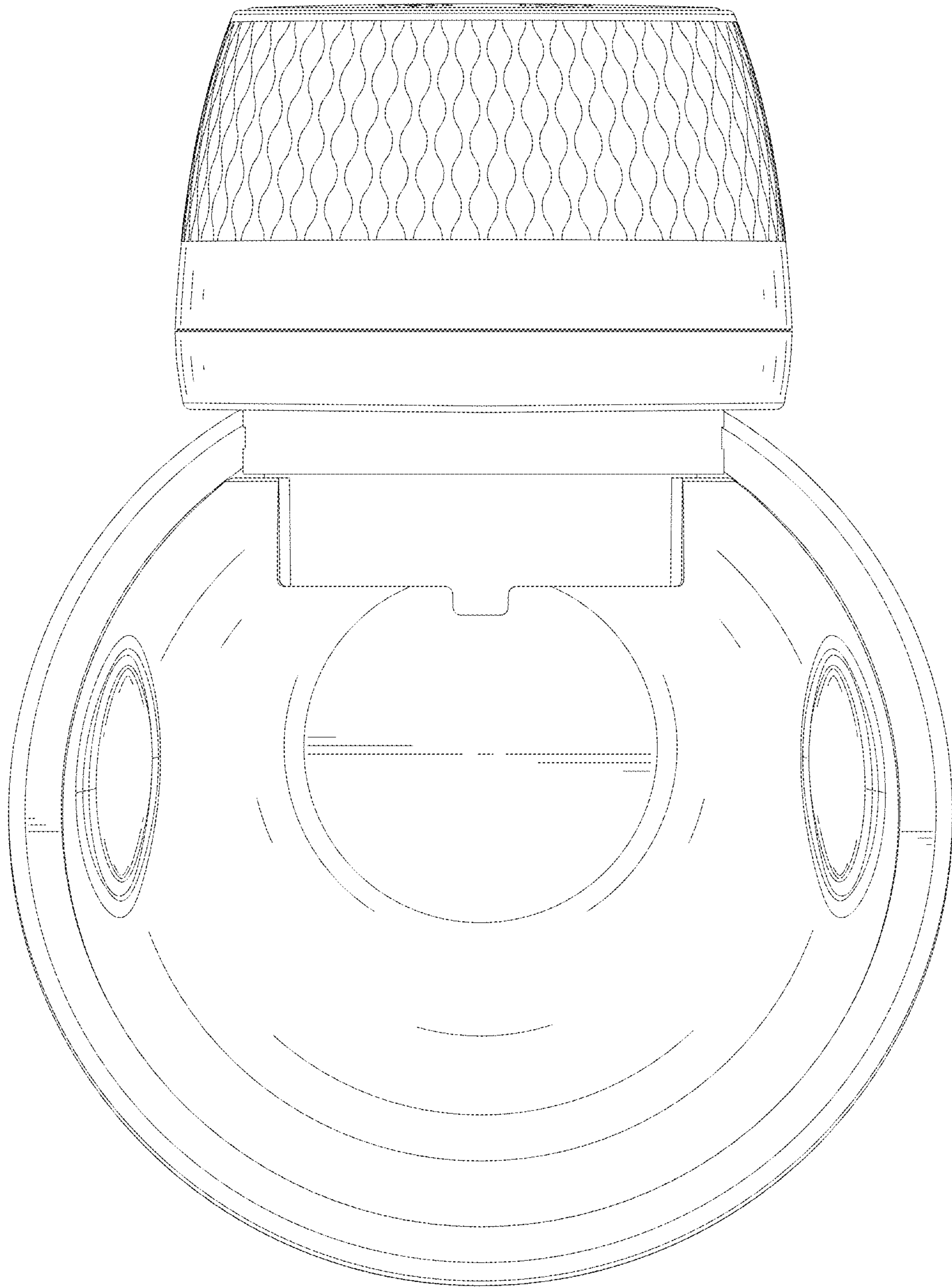


FIG.4

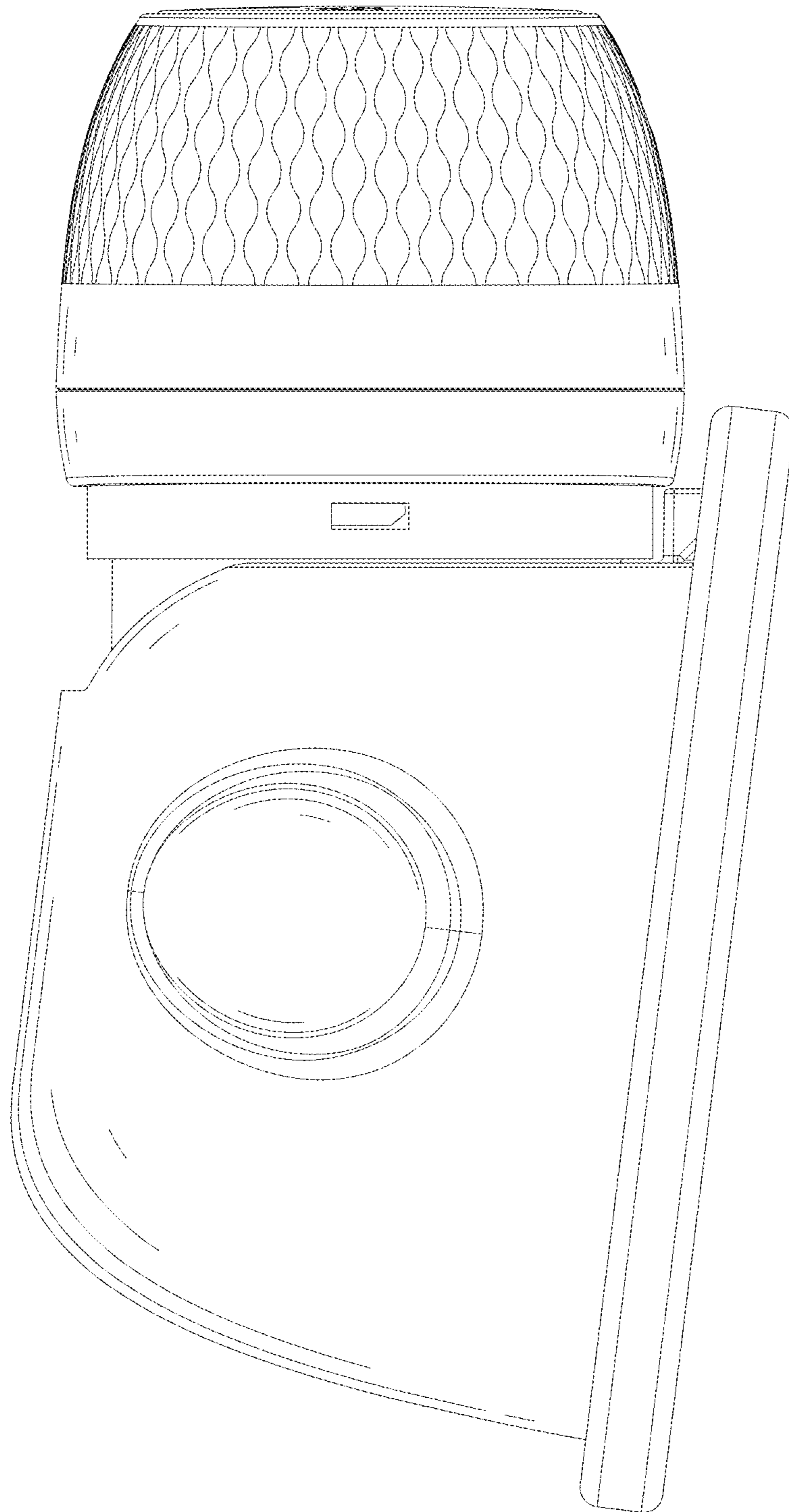


FIG. 5

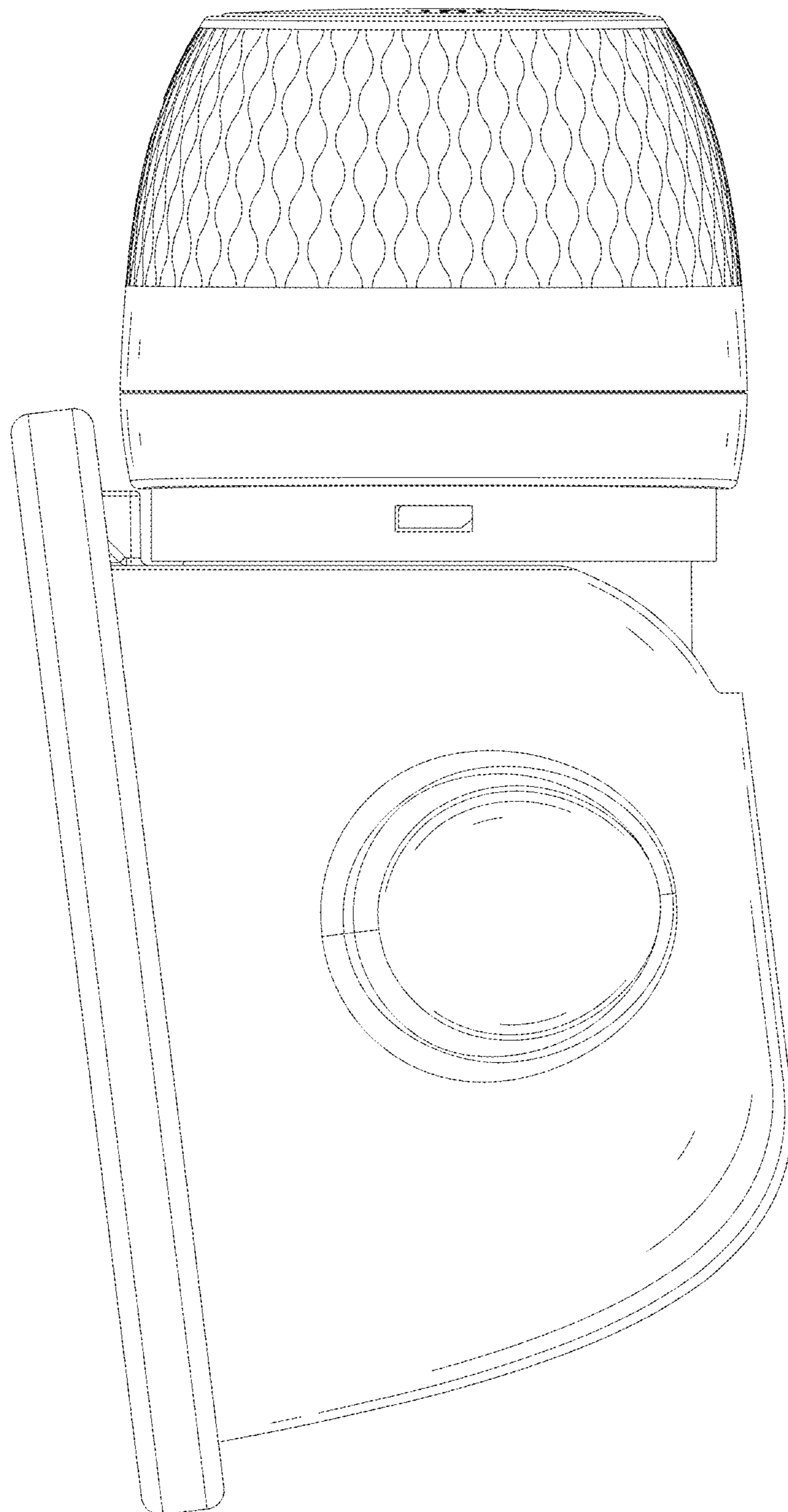


FIG.6



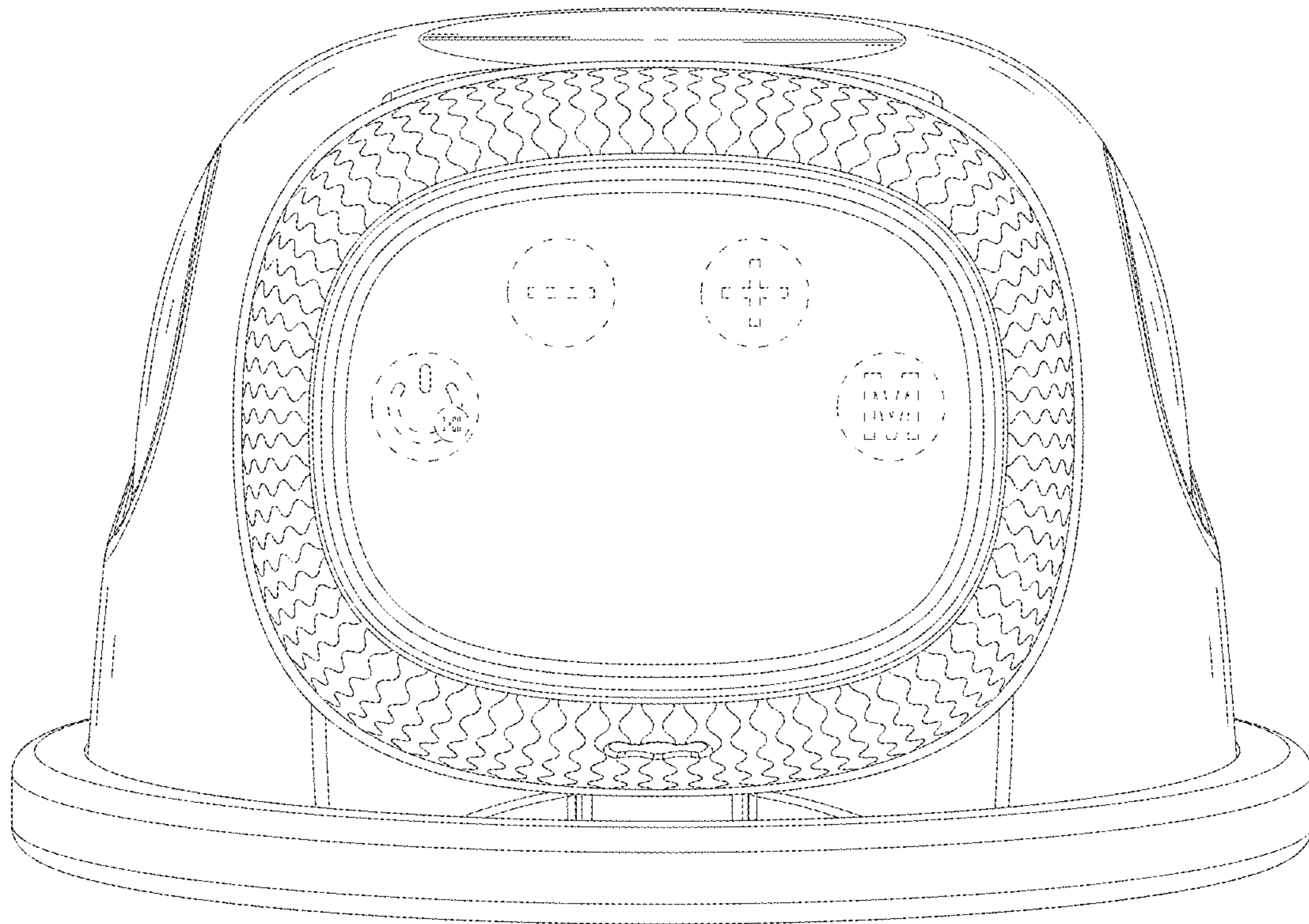


FIG. 7

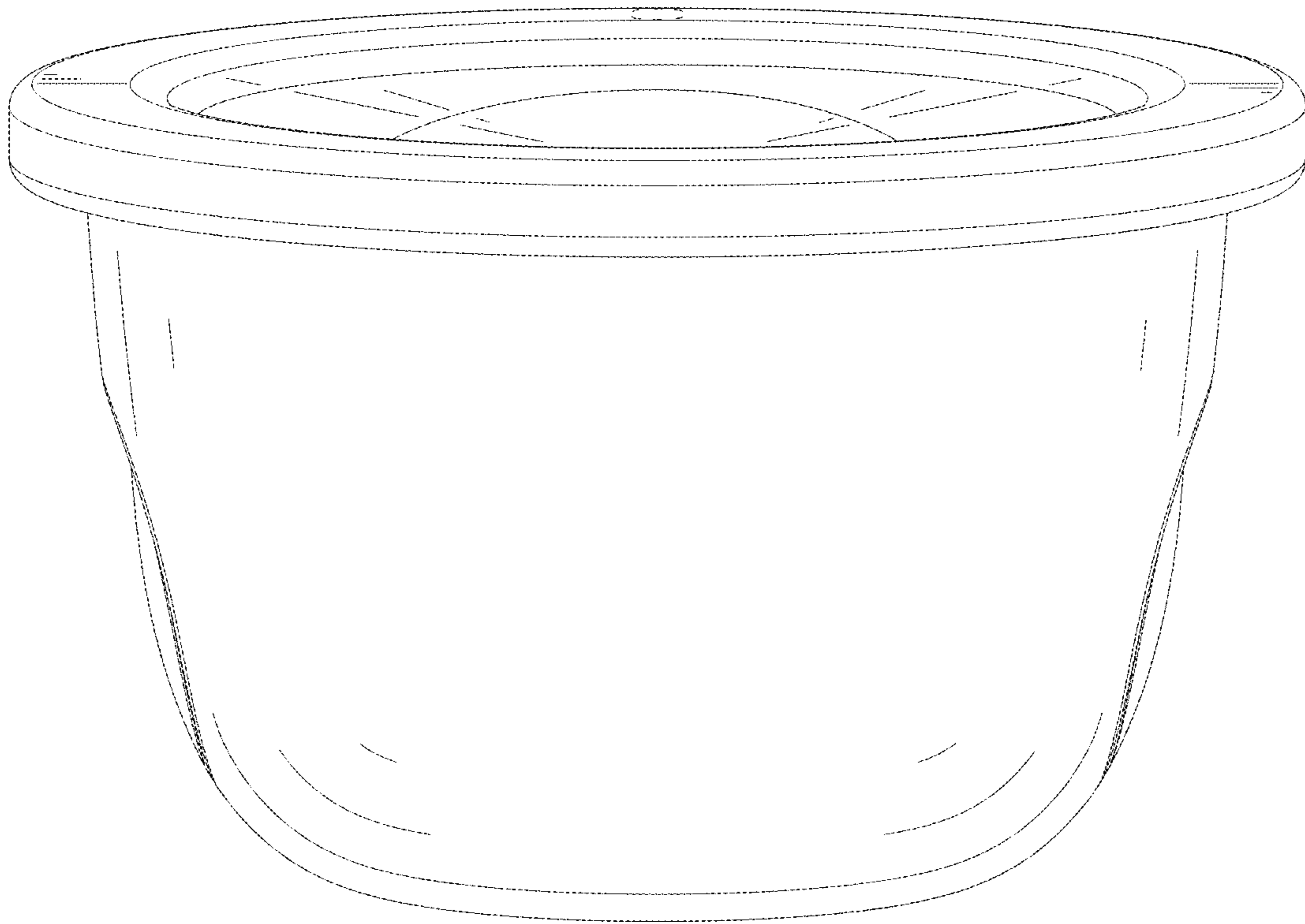


FIG. 8

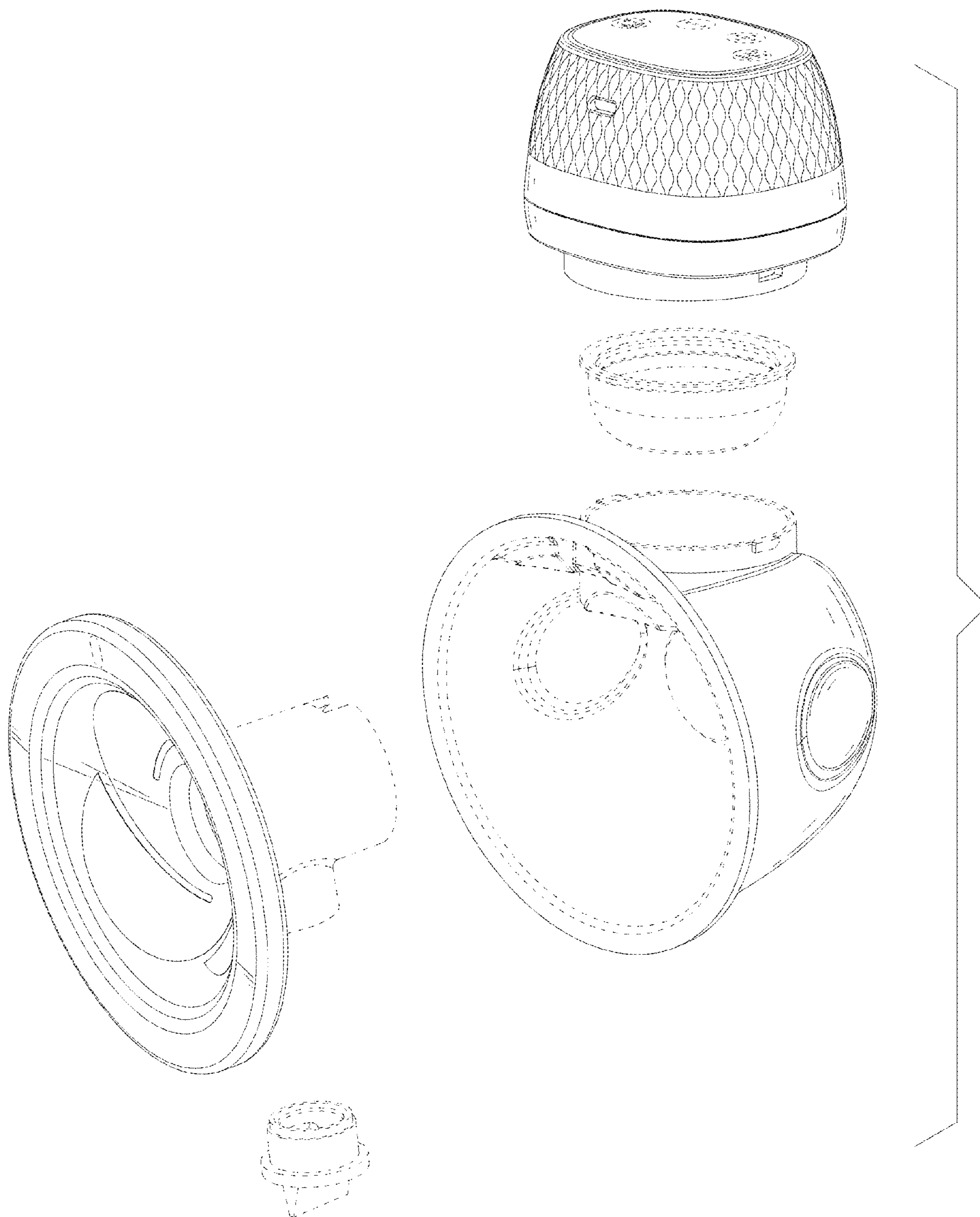


FIG. 9