



US00D987062S

(12) **United States Design Patent**
Wang

(10) **Patent No.:** **US D987,062 S**

(45) **Date of Patent:** **** May 23, 2023**

(54) **CEILING FAN**

(71) Applicant: **AIR COOL INDUSTRIAL CO., LTD.**, Taichung (TW)

(72) Inventor: **Cliff Wang**, Taichung (TW)

(73) Assignee: **AIR COOL INDUSTRIAL CO., LTD.**, Taichung (TW)

(**) Term: **15 Years**

(21) Appl. No.: **29/764,796**

(22) Filed: **Jan. 3, 2021**

(51) **LOC (14) Cl.** **23-04**

(52) **U.S. Cl.**
USPC **D23/377**

(58) **Field of Classification Search**
USPC D23/370, 377, 379, 385, 411, 413;
D26/59

CPC F04D 25/088; F04D 29/38; F04D 29/384;
F04D 29/386; F21V 33/0096

See application file for complete search history.

(56) **References Cited**

U.S. PATENT DOCUMENTS

D246,796 S *	12/1977	Laymon	D23/413
D628,688 S *	12/2010	Pan	D23/377
D706,970 S *	6/2014	Wang	D26/59
D771,795 S *	11/2016	Wang	D26/59
D801,510 S *	10/2017	O'Connell	D23/377
D840,016 S *	2/2019	Guthrie	D23/411
D859,632 S *	9/2019	Yang	D23/411

D873,987 S *	1/2020	Biancuzzo	D23/377
D876,609 S *	2/2020	O'Connell	D26/89
D885,550 S *	5/2020	Avedon	D23/370
D926,963 S *	8/2021	Avedon	D23/379
D936,813 S *	11/2021	McRoberts	D23/377
D942,607 S *	2/2022	Eiffert	D23/377
D948,023 S *	4/2022	Wang	D23/377
D948,700 S *	4/2022	McRoberts	D26/59
D960,345 S *	8/2022	Holmes Bradley	D23/377
D965,761 S *	10/2022	Holmes Bradley	D23/377
11,477,873 B1 *	10/2022	Chen	H05B 47/185
D970,711 S *	11/2022	McRoberts	D23/377

* cited by examiner

Primary Examiner — Sharon S Oum

(74) *Attorney, Agent, or Firm* — Pai Patent & Trademark Law Firm; Chao-Chang David Pai

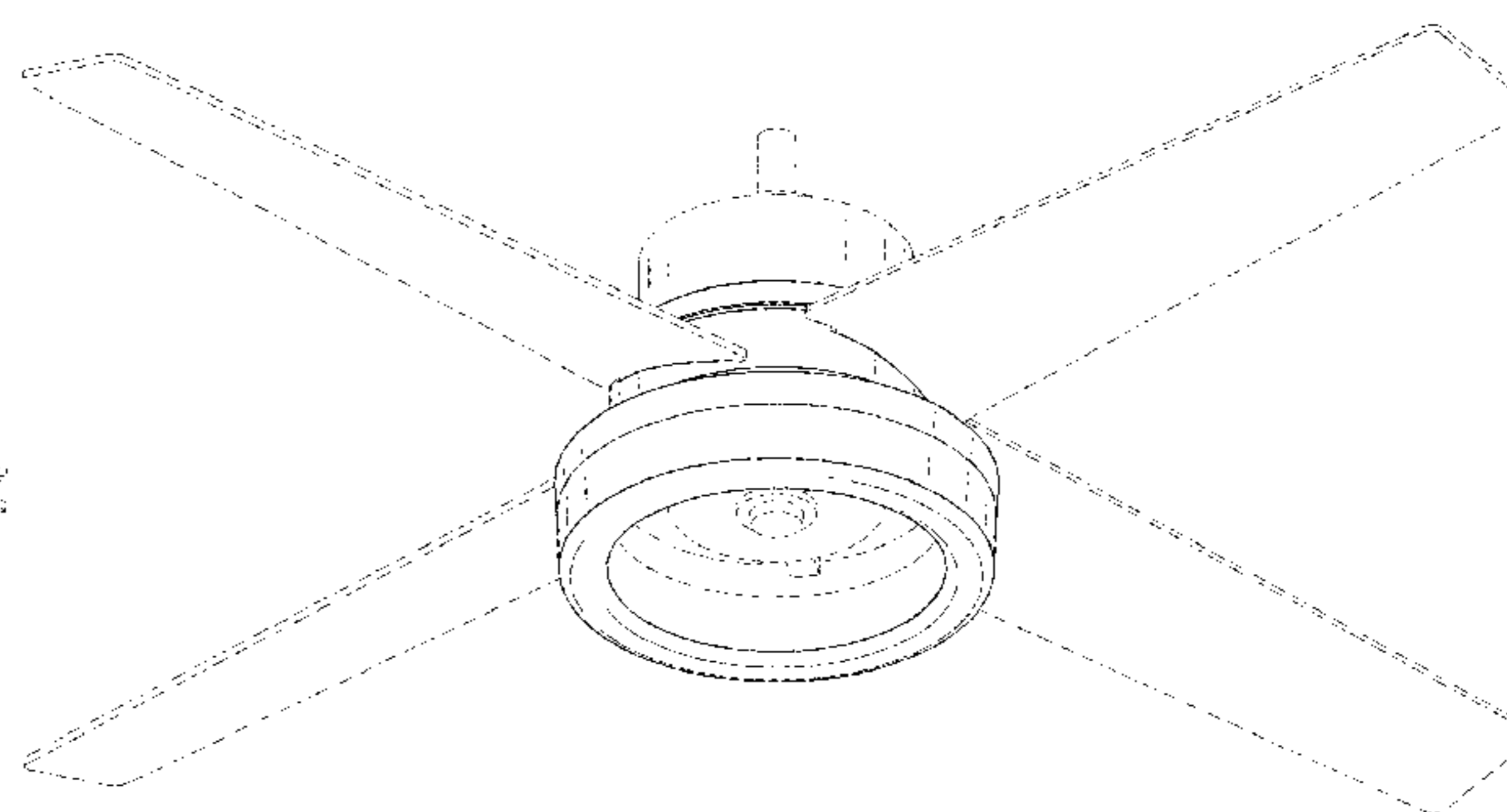
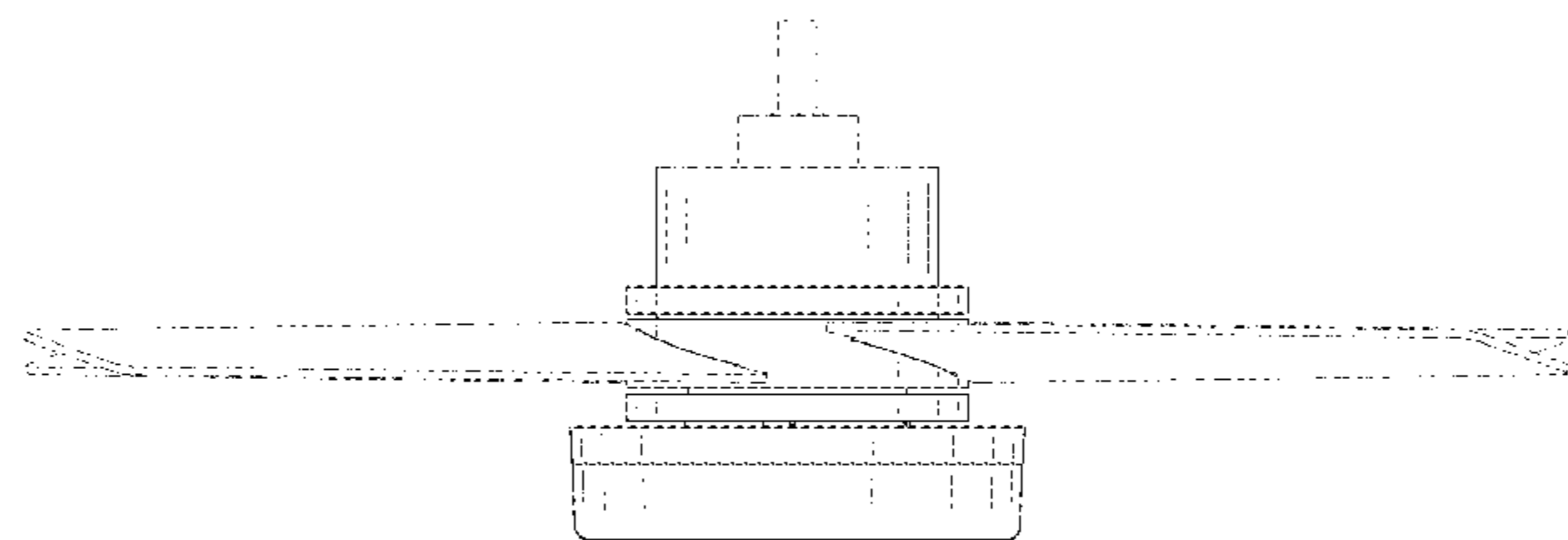
(57) **CLAIM**

The ornamental design for a ceiling fan, as shown and described.

DESCRIPTION

FIG. 1 is a front top perspective view of a ceiling fan showing my new design;
 FIG. 2 is a front elevational view thereof;
 FIG. 3 is a rear elevational view thereof;
 FIG. 4 is a left side elevational view thereof;
 FIG. 5 is a right side elevational view thereof;
 FIG. 6 is a top plan view thereof;
 FIG. 7 is a bottom plan view thereof; and,
 FIG. 8 is a front bottom perspective view thereof.
 The broken lines illustrate portions of the ceiling fan that form no part of the claimed design.

1 Claim, 6 Drawing Sheets



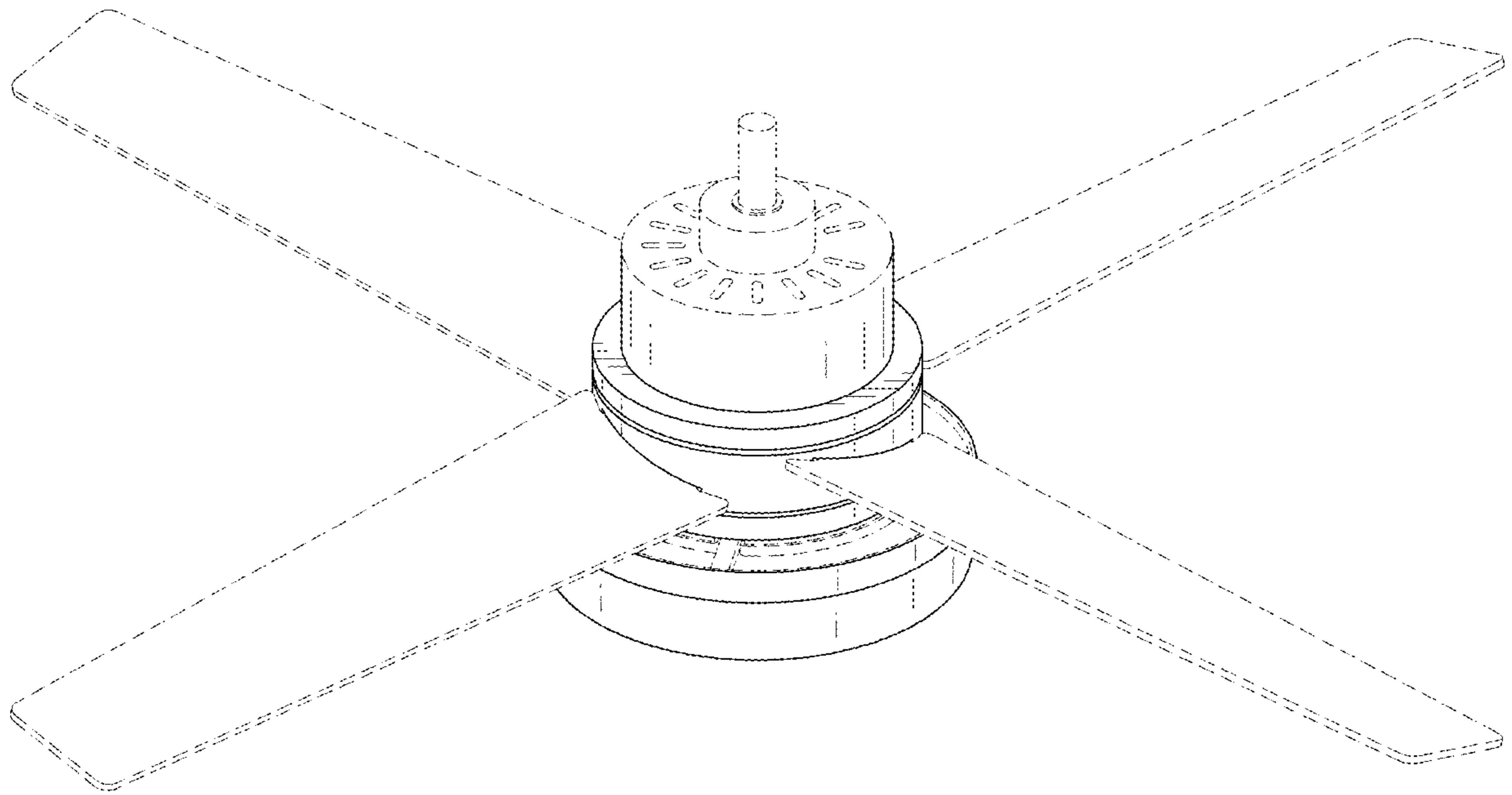


FIG. 1

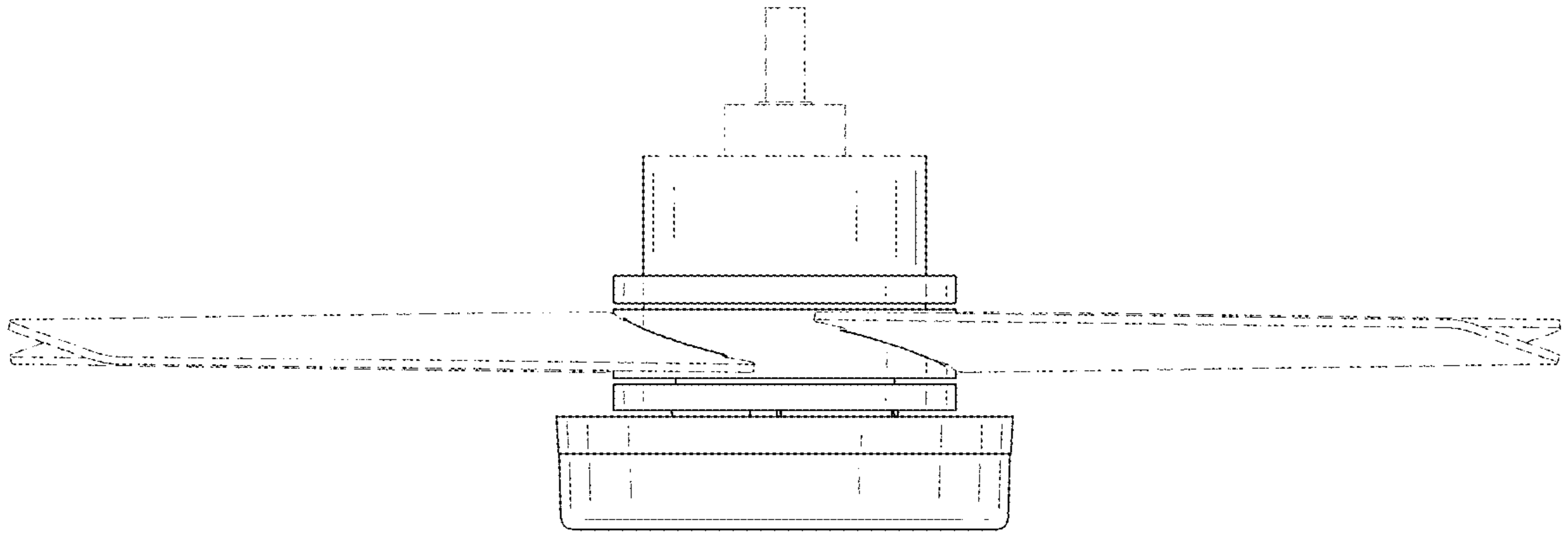


FIG. 2

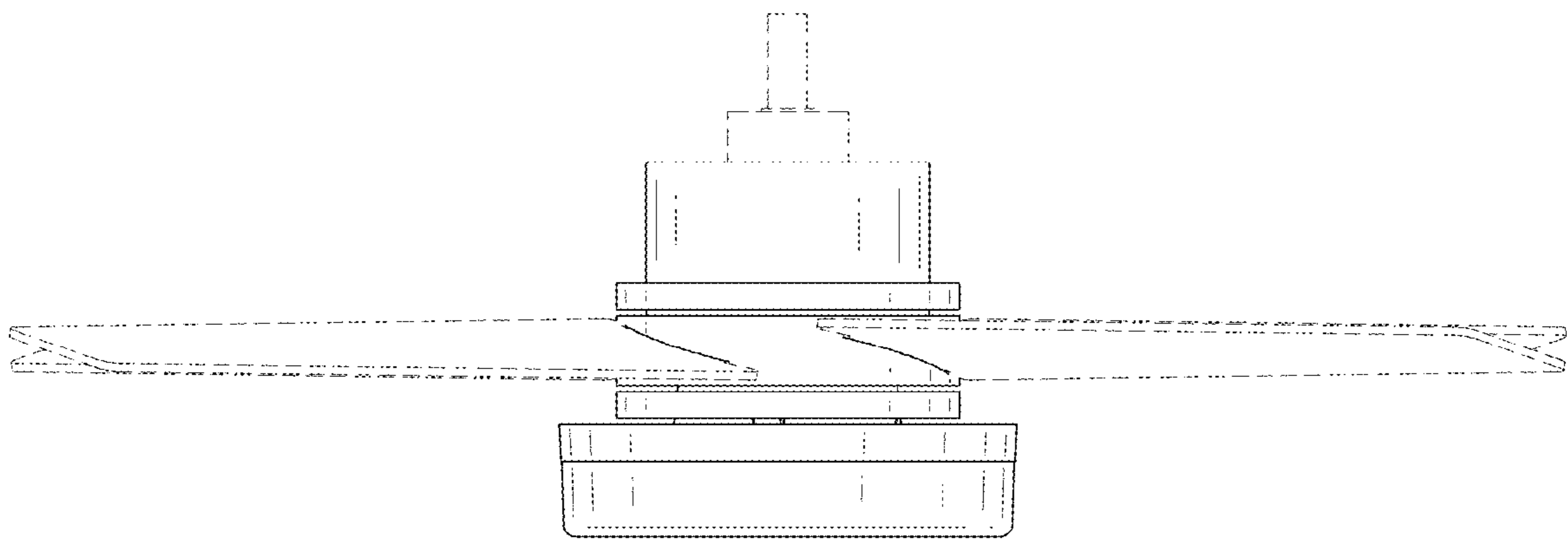


FIG. 3

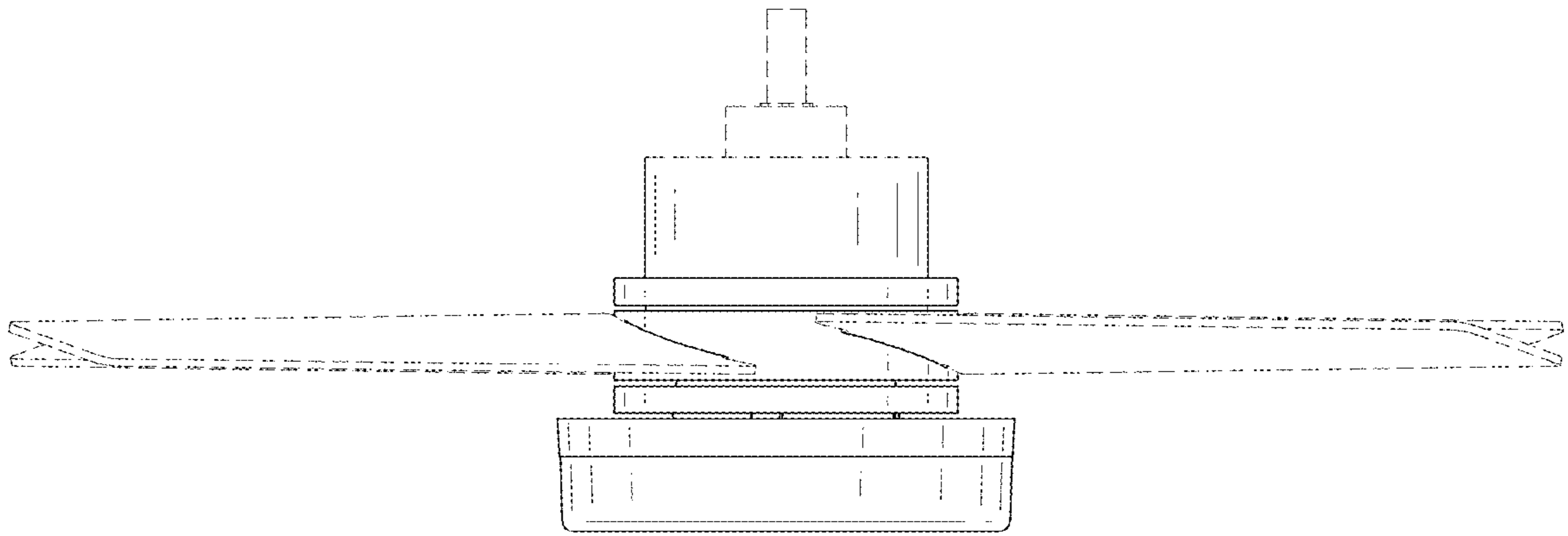


FIG. 4

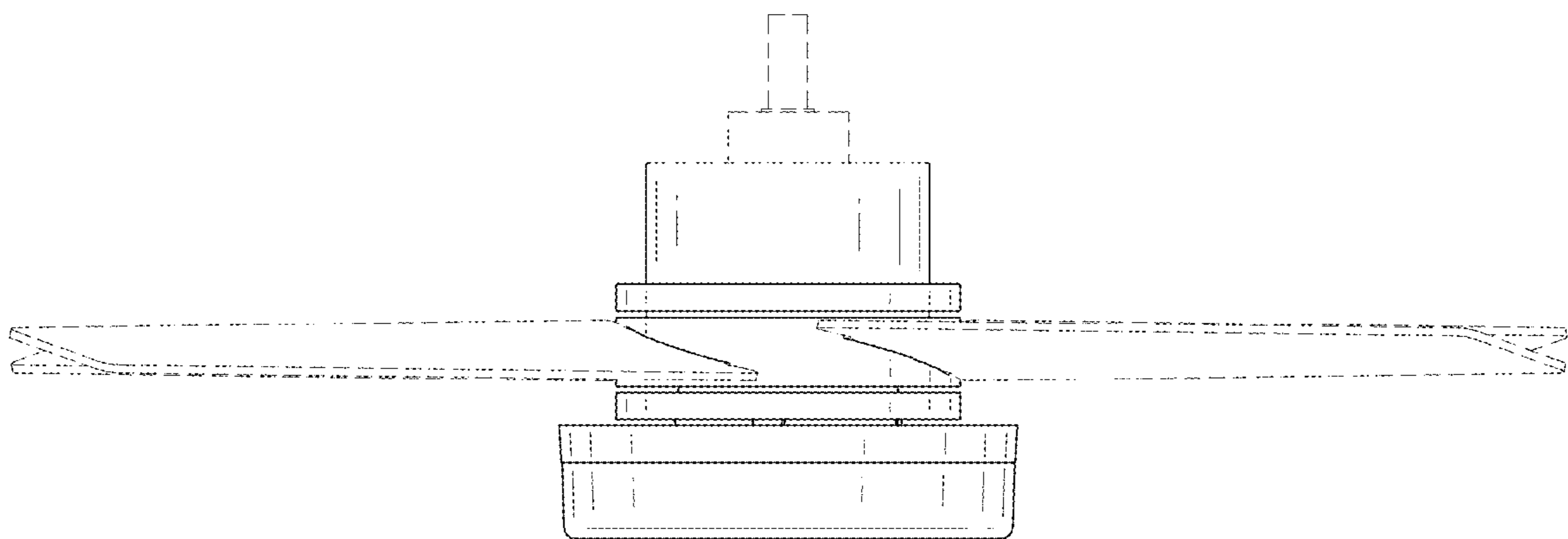


FIG. 5

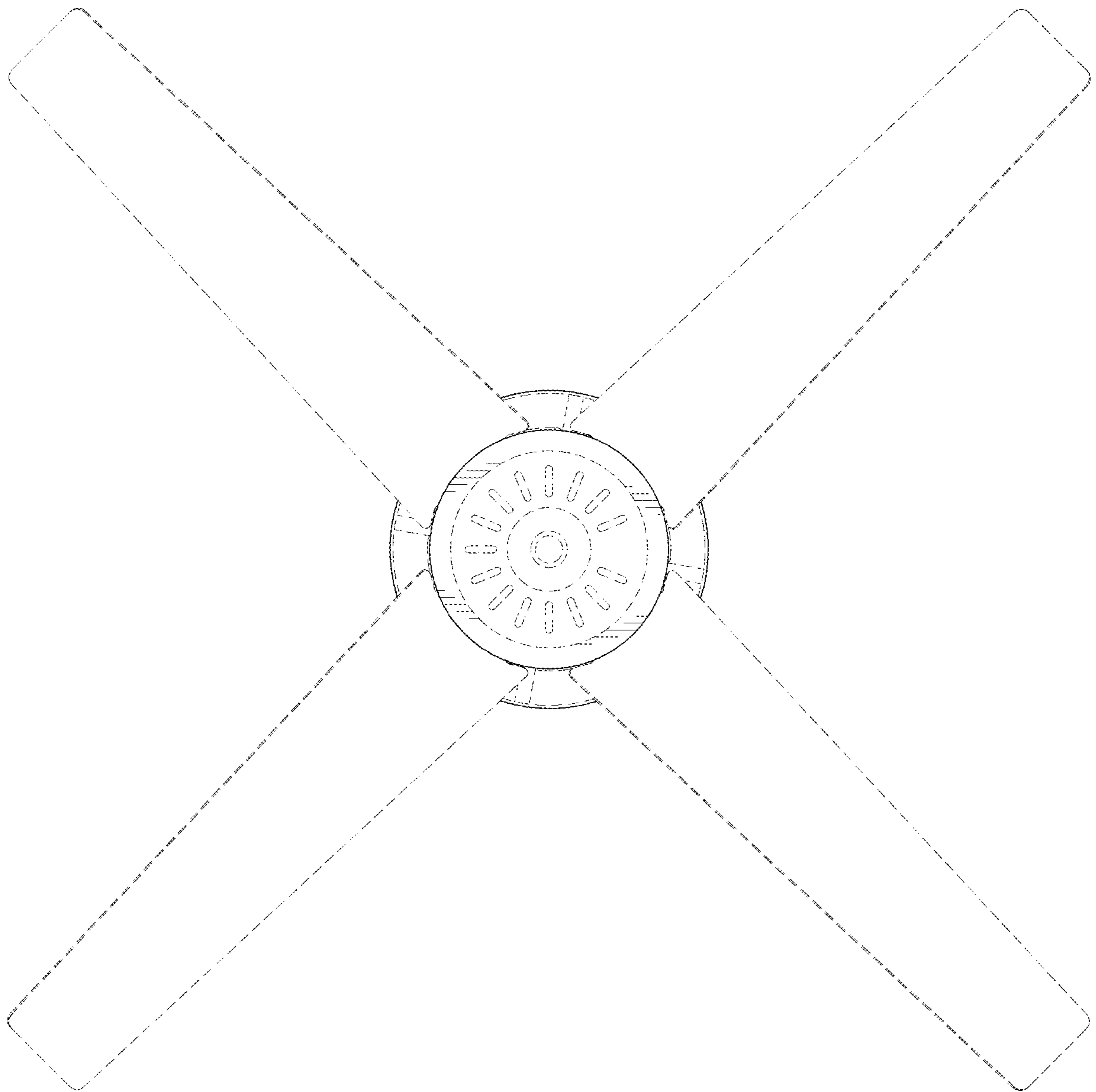


FIG. 6

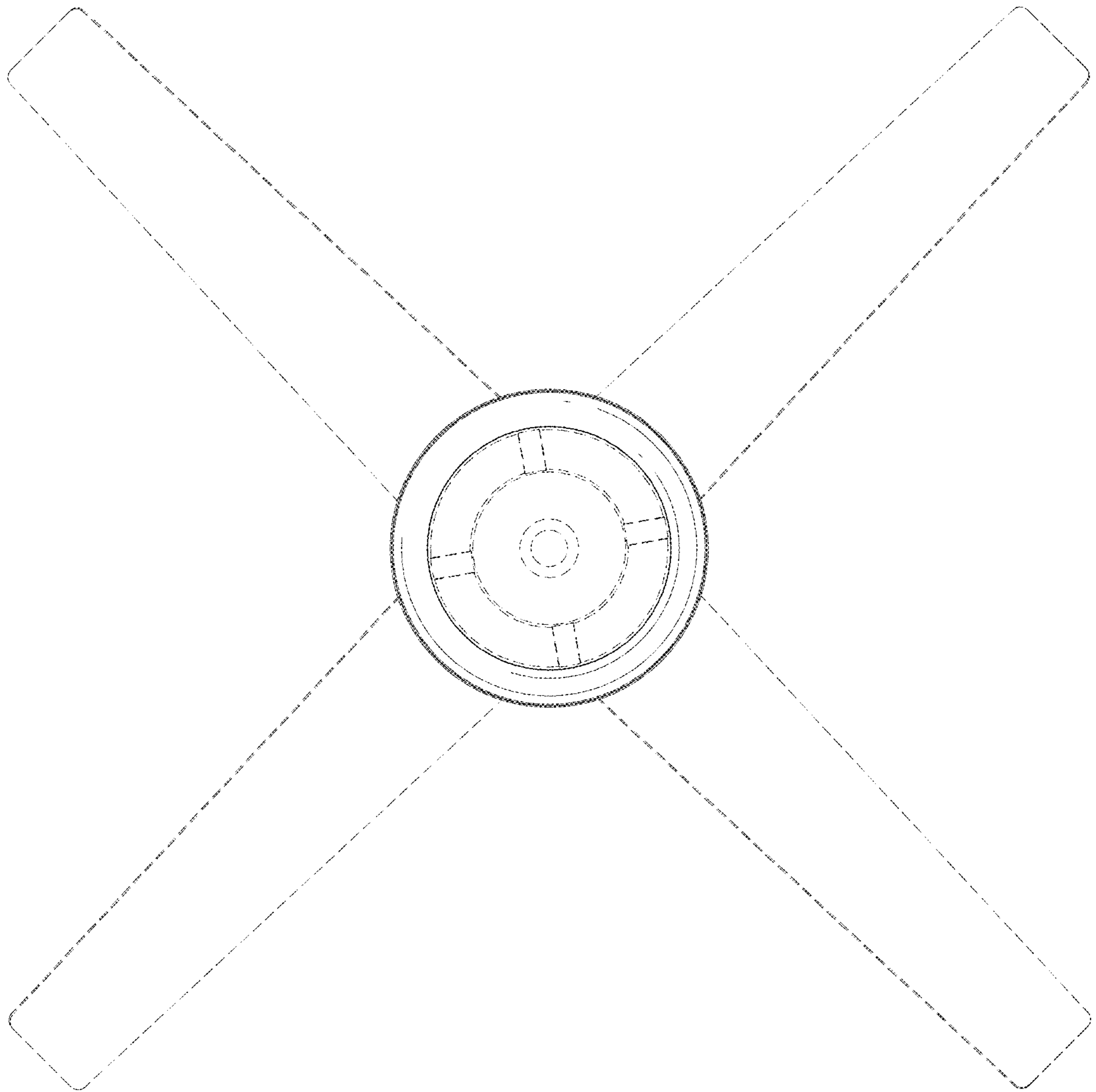


FIG. 7

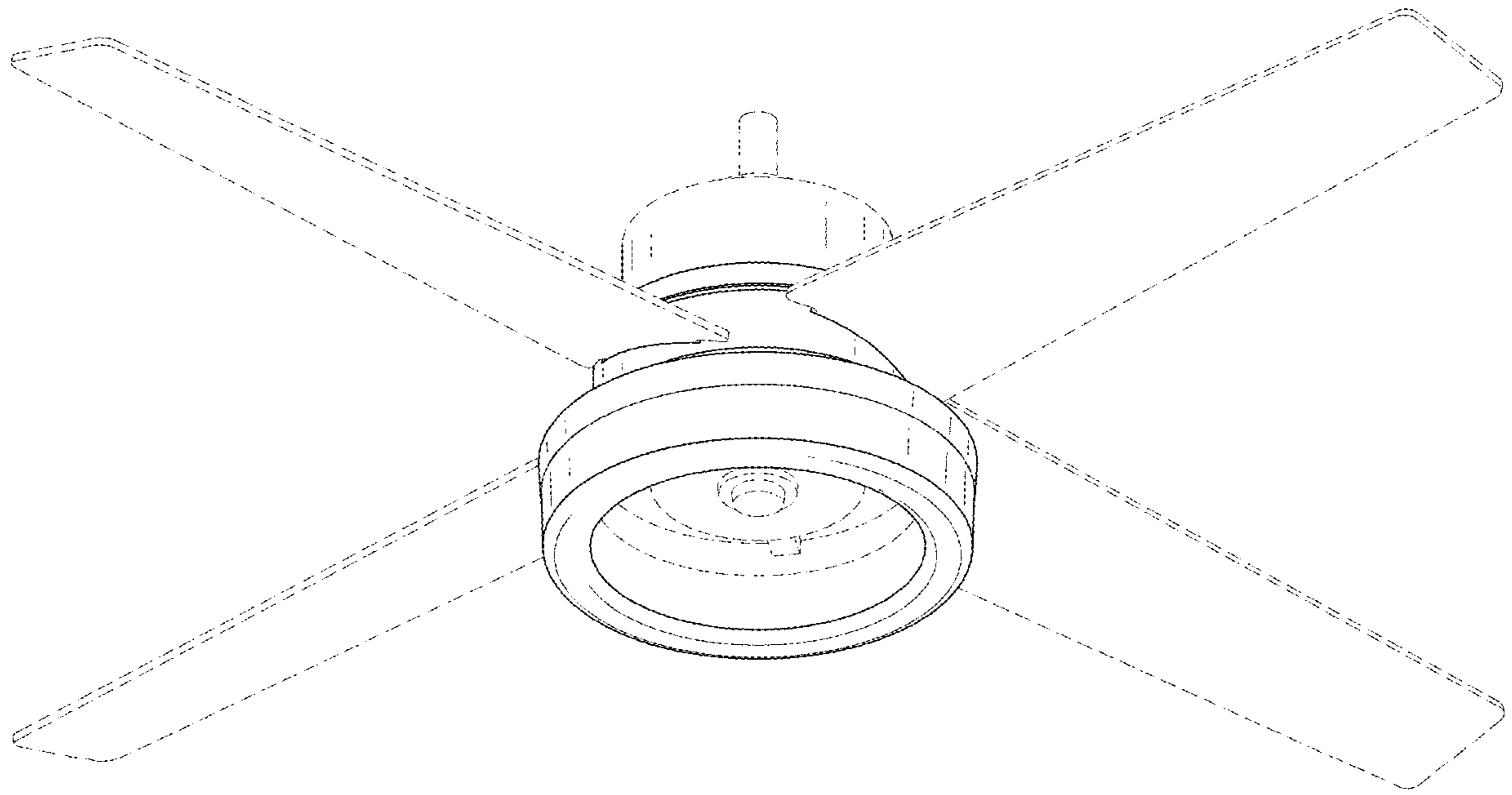


FIG. 8