



US00D987061S

(12) **United States Design Patent**
Mei

(10) **Patent No.:** **US D987,061 S**

(45) **Date of Patent:** **** May 23, 2023**

- (54) **NECK FAN**
- (71) Applicant: **Zhiqiang Mei**, Shenzhen (CN)
- (72) Inventor: **Zhiqiang Mei**, Shenzhen (CN)
- (**) Term: **15 Years**
- (21) Appl. No.: **29/884,124**
- (22) Filed: **Feb. 8, 2023**
- (51) **LOC (14) Cl.** **23-04**
- (52) **U.S. Cl.**
USPC **D23/380**
- (58) **Field of Classification Search**
USPC D23/370, 380-382, 411
CPC ... F04D 29/005; F04D 25/166; F04D 25/0673
See application file for complete search history.

(56) **References Cited**

U.S. PATENT DOCUMENTS

D903,086 S *	11/2020	Liu	D23/370
D920,497 S *	5/2021	Li	D23/370
D925,028 S *	7/2021	Song	D23/370
D928,932 S *	8/2021	Li	D23/370
D936,819 S *	11/2021	Zhang	D23/380
D936,820 S *	11/2021	Yuan	D23/380
D943,067 S *	2/2022	Fan	D23/270
D950,702 S *	5/2022	Zhu	D23/380
D951,423 S *	5/2022	Zhou	D23/380
D959,637 S *	8/2022	Zhang	D23/380

D966,490 S *	10/2022	Liu	D23/380
D968,583 S *	11/2022	Fan	D23/380
D972,708 S *	12/2022	Li	D23/380
D973,861 S *	12/2022	Lee	D23/370
D976,383 S *	1/2023	Li	D23/380
2021/0355960 A1 *	11/2021	Liu	F25B 21/02
2022/0106963 A1 *	4/2022	Li	F04D 29/4213

* cited by examiner

Primary Examiner — Janice Hallmark

(57) **CLAIM**

The ornamental design for a neck fan, as shown and described.

DESCRIPTION

FIG. 1 is a front perspective view of a neck fan, showing my new design;
 FIG. 2 is a rear perspective view thereof;
 FIG. 3 is a front view thereof;
 FIG. 4 is a rear view thereof;
 FIG. 5 is a left side view thereof;
 FIG. 6 is a right side view thereof;
 FIG. 7 is a top view thereof; and,
 FIG. 8 is a bottom view thereof.
 The broken lines in the drawings illustrate the portions of the Neck Fan, which form no part of the claimed design.

1 Claim, 8 Drawing Sheets

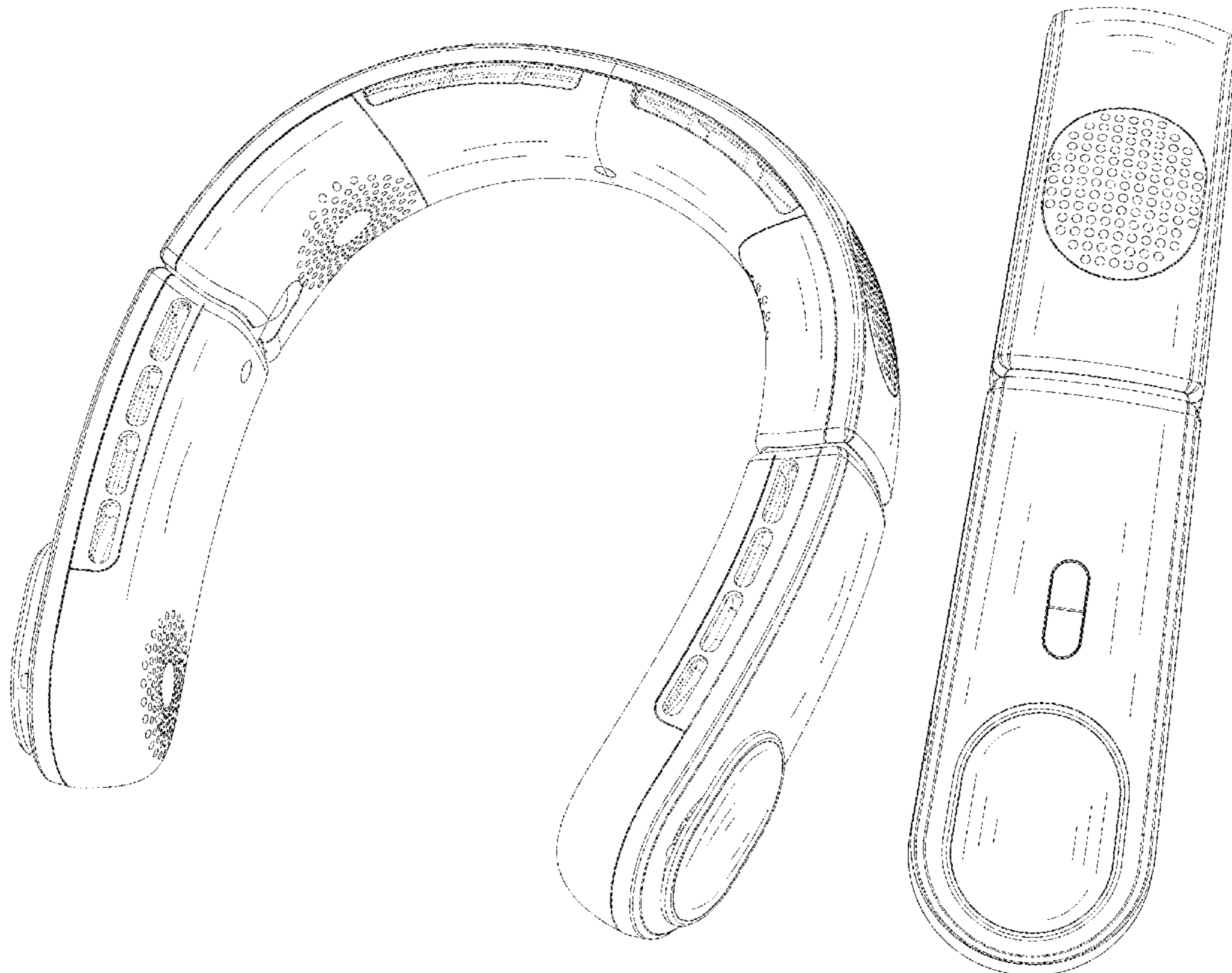




FIG. 1



FIG. 2

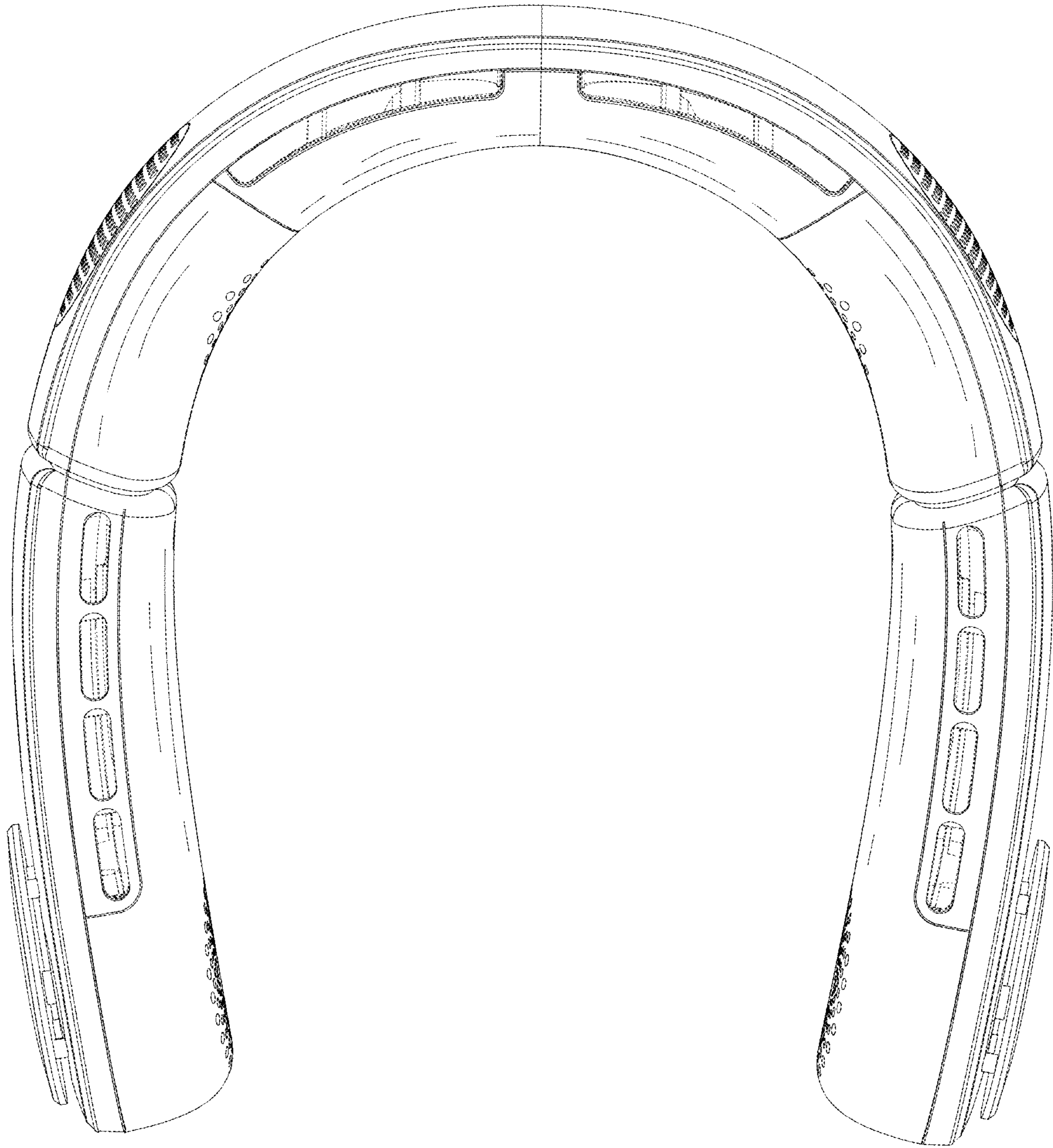


FIG. 3

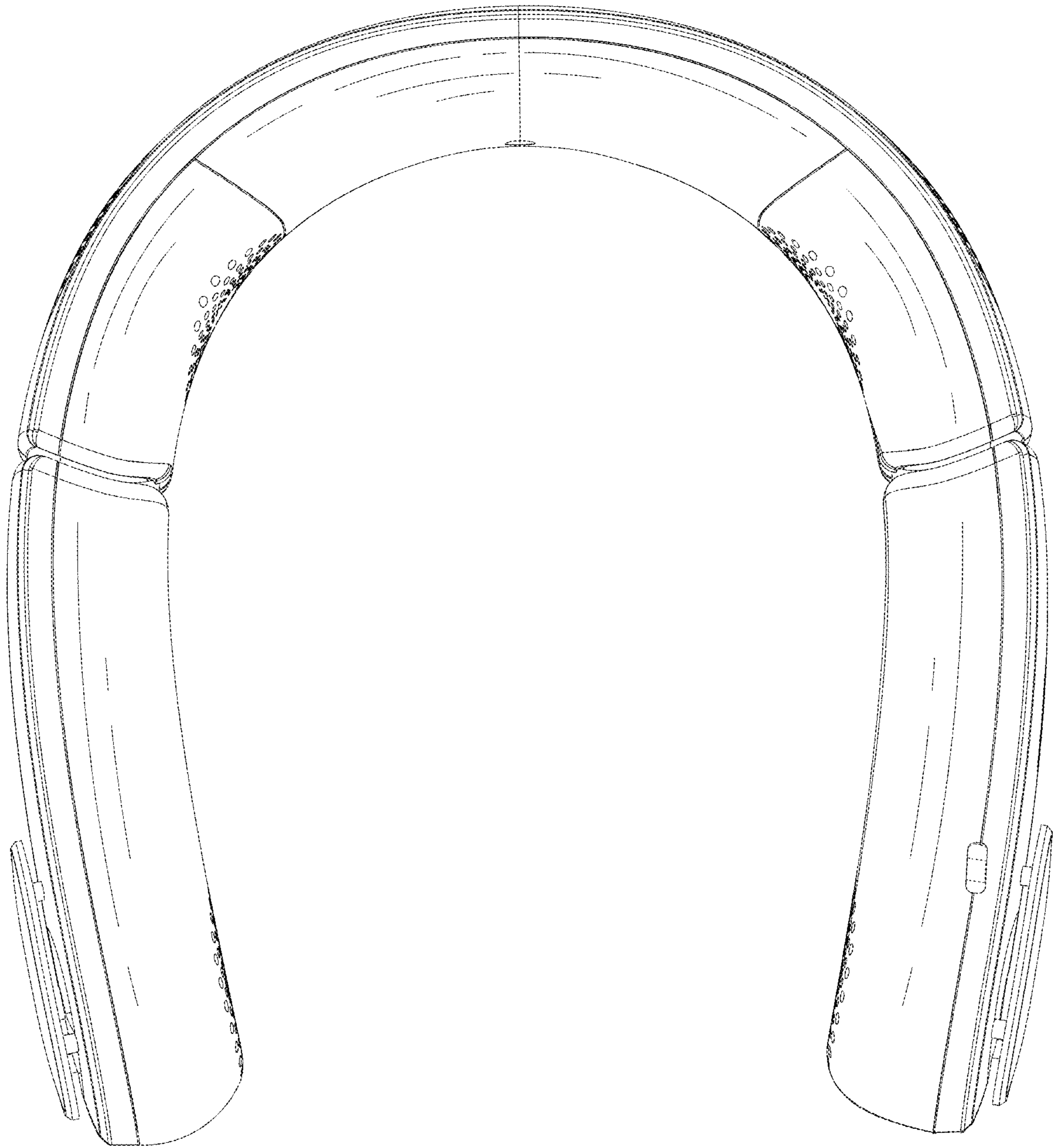


FIG. 4

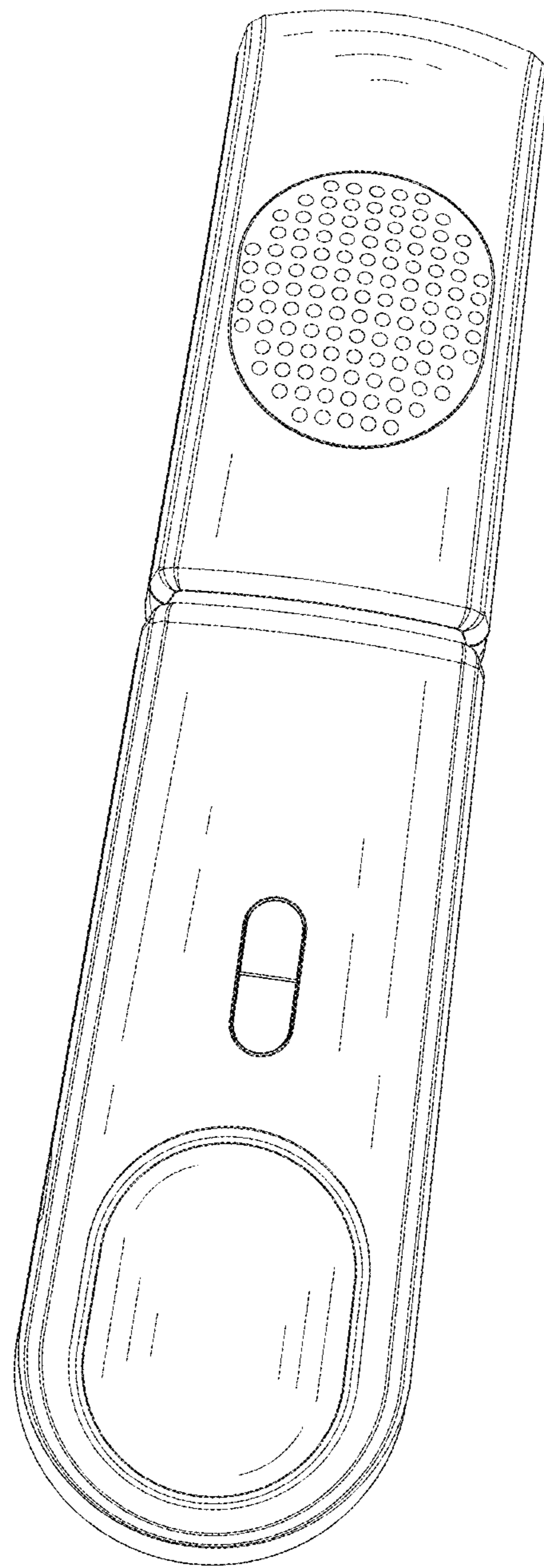


FIG. 5

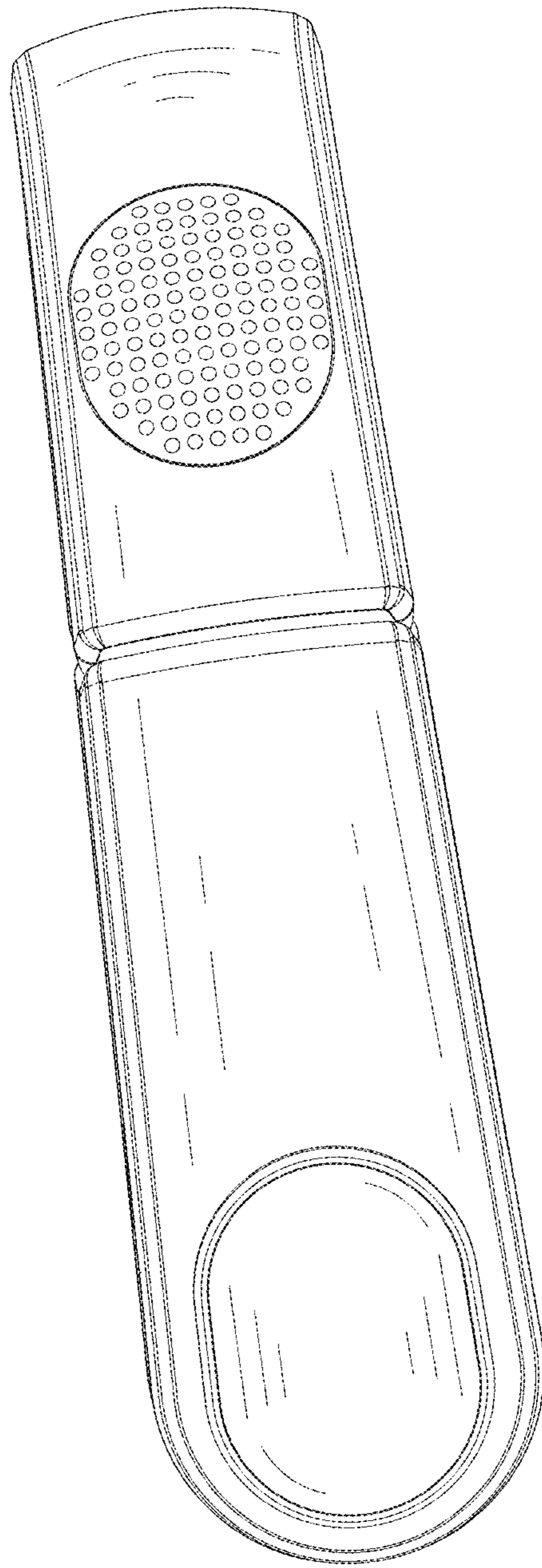


FIG. 6

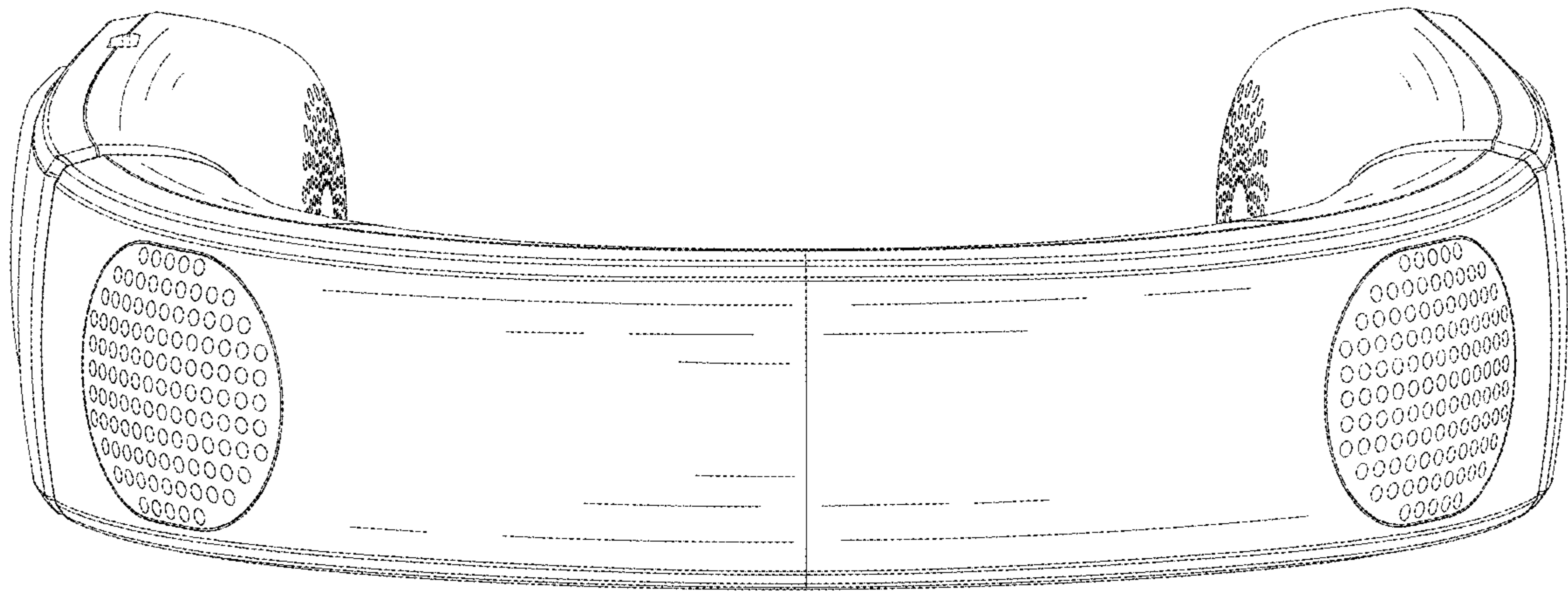


FIG. 7

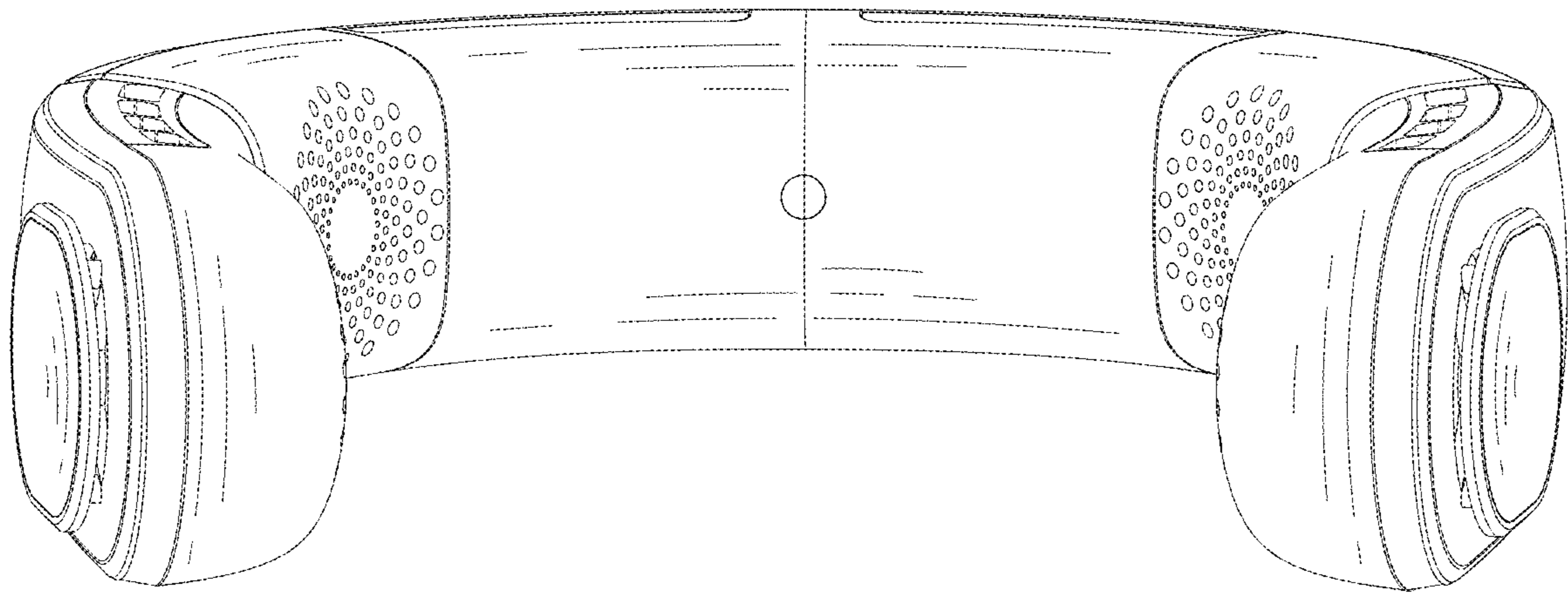


FIG. 8