



US00D987057S

(12) **United States Design Patent**
Choi et al.

(10) **Patent No.:** **US D987,057 S**

(45) **Date of Patent:** **** May 23, 2023**

(54) **RANGE HOOD**

(71) Applicant: **SAMSUNG ELECTRONICS CO., LTD.**, Suwon-si (KR)

(72) Inventors: **Hwanwoong Choi**, Suwon-si (KR);
Kyungseob Yang, Suwon-si (KR);
Deoksang Yun, Suwon-si (KR);
Jaemin Lee, Suwon-si (KR)

(73) Assignee: **SAMSUNG ELECTRONICS CO., LTD.**, Gyeonggi-Do (KR)

(**) Term: **15 Years**

(21) Appl. No.: **29/801,537**

(22) Filed: **Jul. 29, 2021**

(30) **Foreign Application Priority Data**

Apr. 21, 2021 (KR) 30-2021-0019350

(51) **LOC (14) Cl.** **23-04**

(52) **U.S. Cl.**
USPC **D23/372**

(58) **Field of Classification Search**
USPC D23/370–372, 381, 385, 411–412, 388
CPC .. F24C 15/20; F24C 15/2021; F24C 15/2035;
F24C 15/2042; F24C 15/2071
See application file for complete search history.

(56) **References Cited**

U.S. PATENT DOCUMENTS

- 979,182 A * 12/1910 MacDonald E03F 5/0404
210/163
- D244,854 S * 6/1977 Salamone D23/261
- D452,557 S * 12/2001 Tamura D23/372
- D471,268 S * 3/2003 Segers D23/372
- D490,887 S * 6/2004 Segers D23/372
- D574,943 S * 8/2008 Deng D23/372
- D592,741 S * 5/2009 Miura D23/372

- D594,959 S * 6/2009 Orihara D23/366
- D621,023 S * 8/2010 Funnell D23/372
- D636,482 S * 4/2011 LeMay D23/388
- D651,705 S * 1/2012 Klunker D23/371
- D701,952 S * 4/2014 Hoshino D23/388
- D707,341 S * 6/2014 Alfakhrany D23/388
- D939,073 S * 12/2021 Oh D23/372
- D944,384 S * 2/2022 Yuan D23/372

(Continued)

FOREIGN PATENT DOCUMENTS

- CN 304537386 S 3/2018
- CN 304724155 S 7/2018

(Continued)

Primary Examiner — Sharon S Oum

(74) *Attorney, Agent, or Firm* — Cantor Colburn LLP

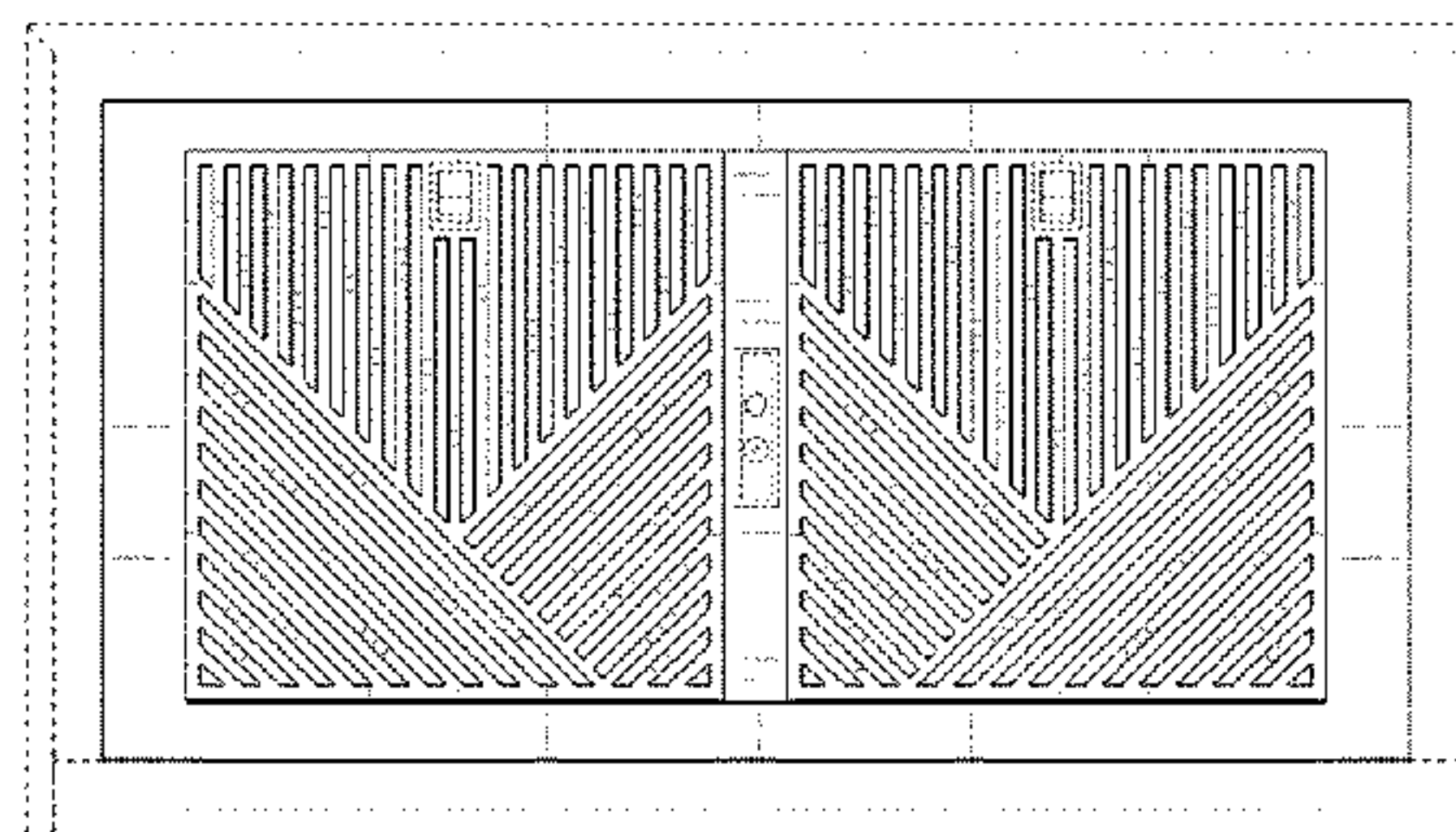
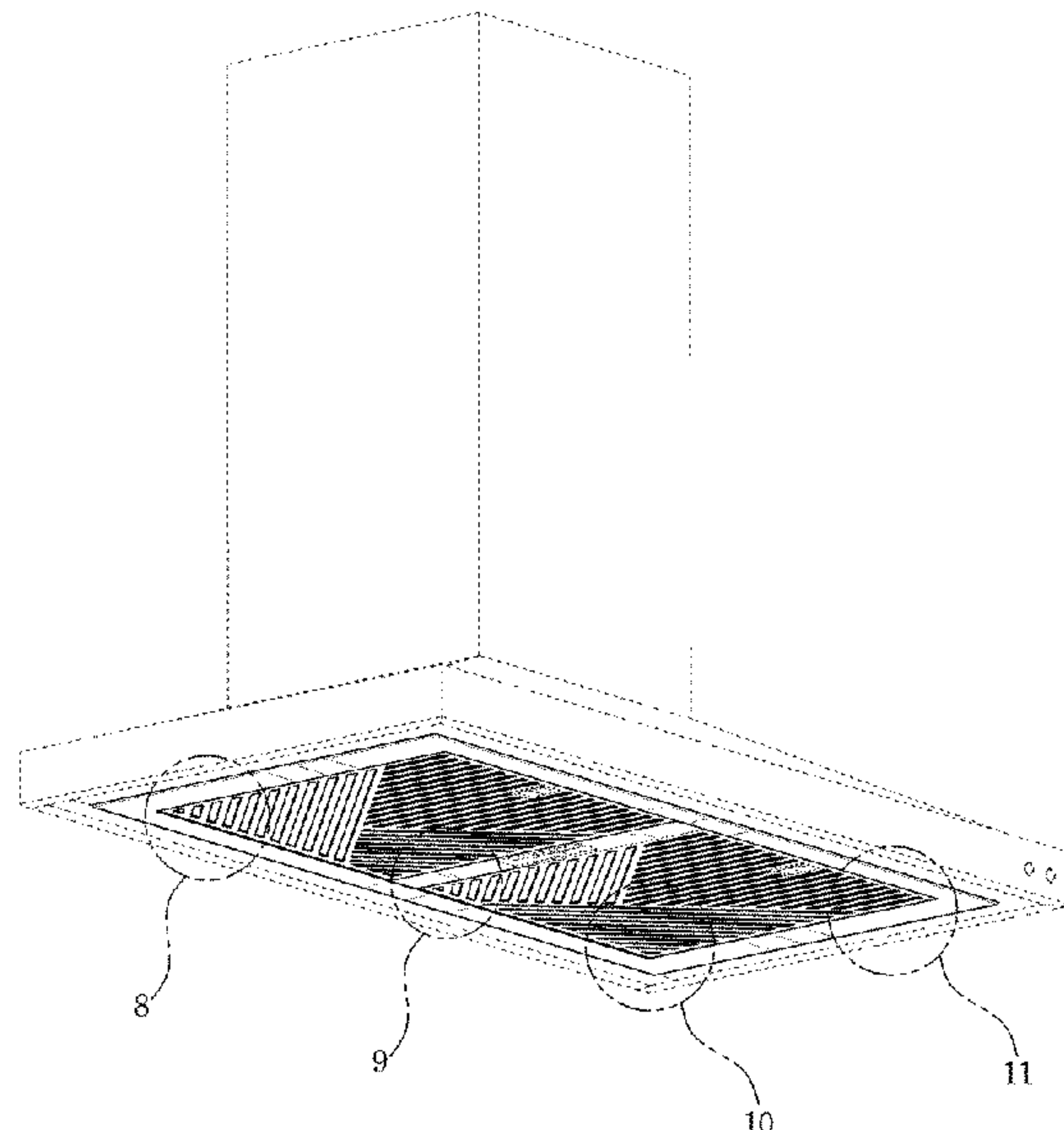
(57) **CLAIM**

The ornamental design for a range hood, as shown and described.

DESCRIPTION

FIG. 1 is a front perspective view of a range hood, showing our new design;
 FIG. 2 is a front view thereof;
 FIG. 3 is a rear view thereof;
 FIG. 4 is a left-side view thereof;
 FIG. 5 is a right-side view thereof;
 FIG. 6 is a top view thereof;
 FIG. 7 is a bottom view thereof;
 FIG. 8 is an enlarged view of the portion 8 in FIG. 1;
 FIG. 9 is an enlarged view of the portion 9 in FIG. 1;
 FIG. 10 is an enlarged view of the portion 10 in FIG. 1; and,
 FIG. 11 is an enlarged view of the portion 11 in FIG. 1.
 The even-dash broken lines illustrating portions of the range hood form no part of the claimed design. The dot-dot-dash broken lines encircling enlargement portions of the claimed design form no part of the claimed design.

1 Claim, 11 Drawing Sheets



(56)

References Cited

U.S. PATENT DOCUMENTS

D947,351 S * 3/2022 Hyon D23/372
2018/0372332 A1* 12/2018 Cha H04N 5/38
2022/0357051 A1* 11/2022 Choi G01J 5/07
2022/0381446 A1* 12/2022 Lee H04R 1/403

FOREIGN PATENT DOCUMENTS

CN 304817832 S 9/2018
CN 306183606 S 11/2020
CN 306232258 S 12/2020

* cited by examiner

FIG. 1

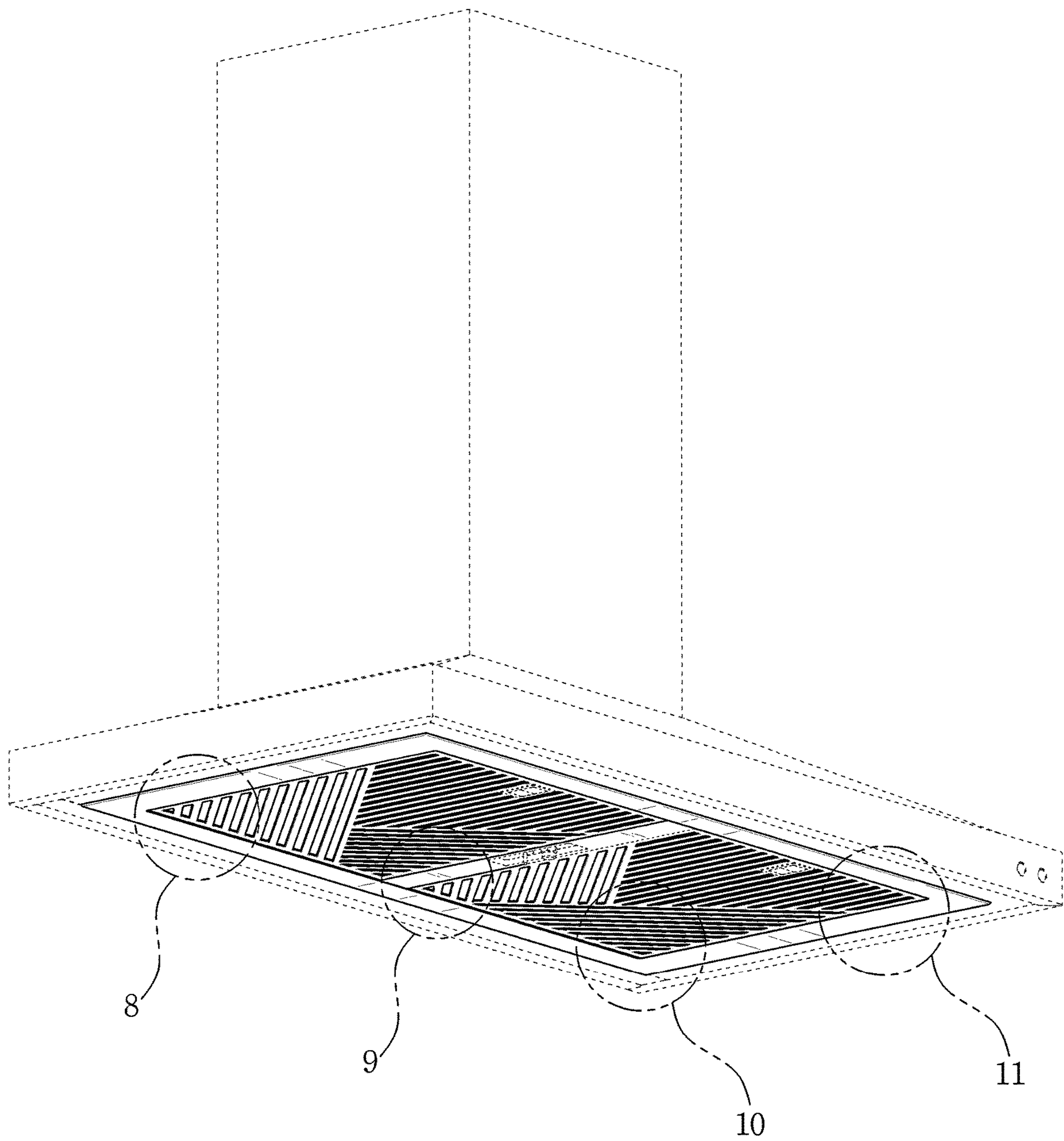


FIG. 2

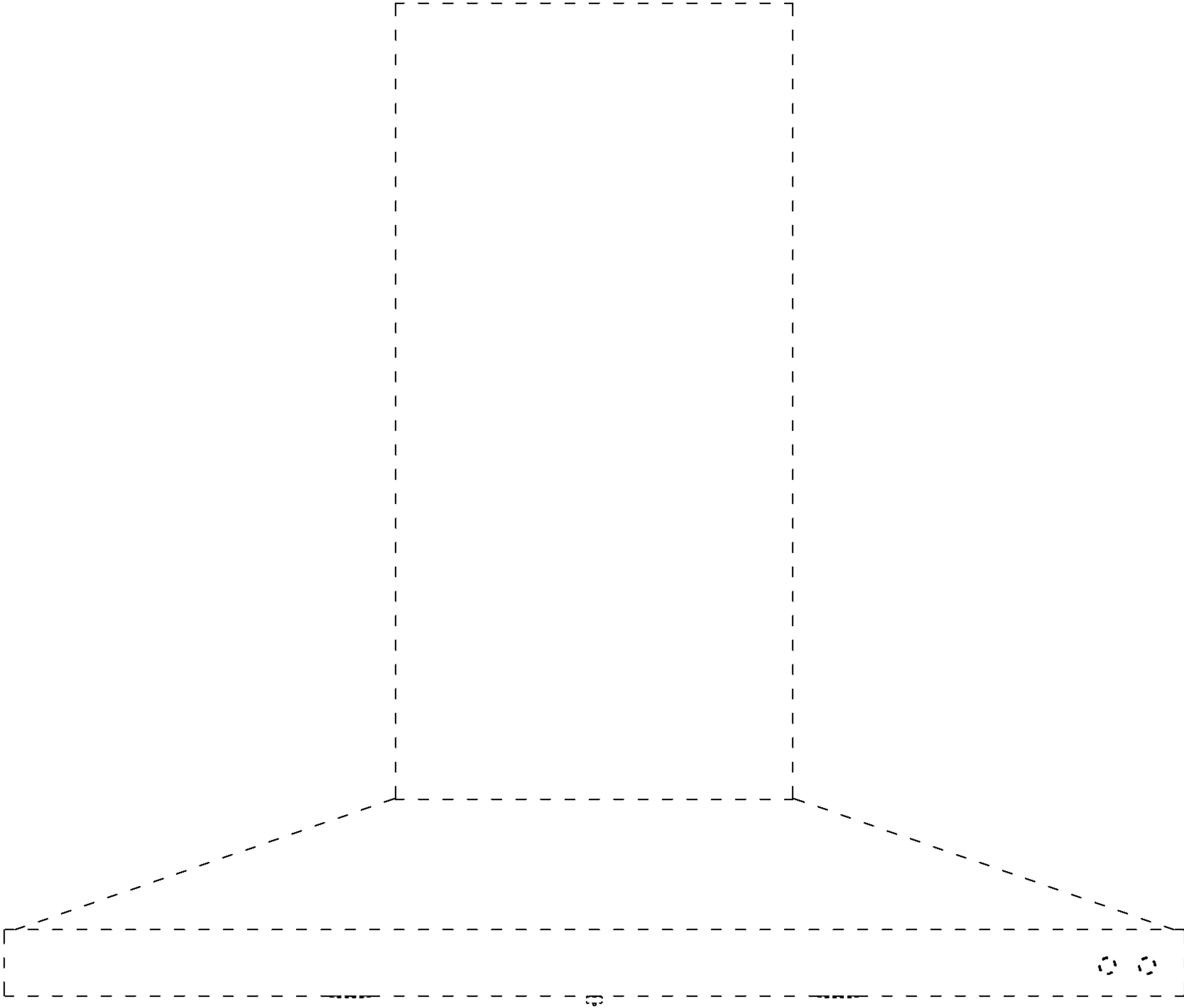


FIG. 3

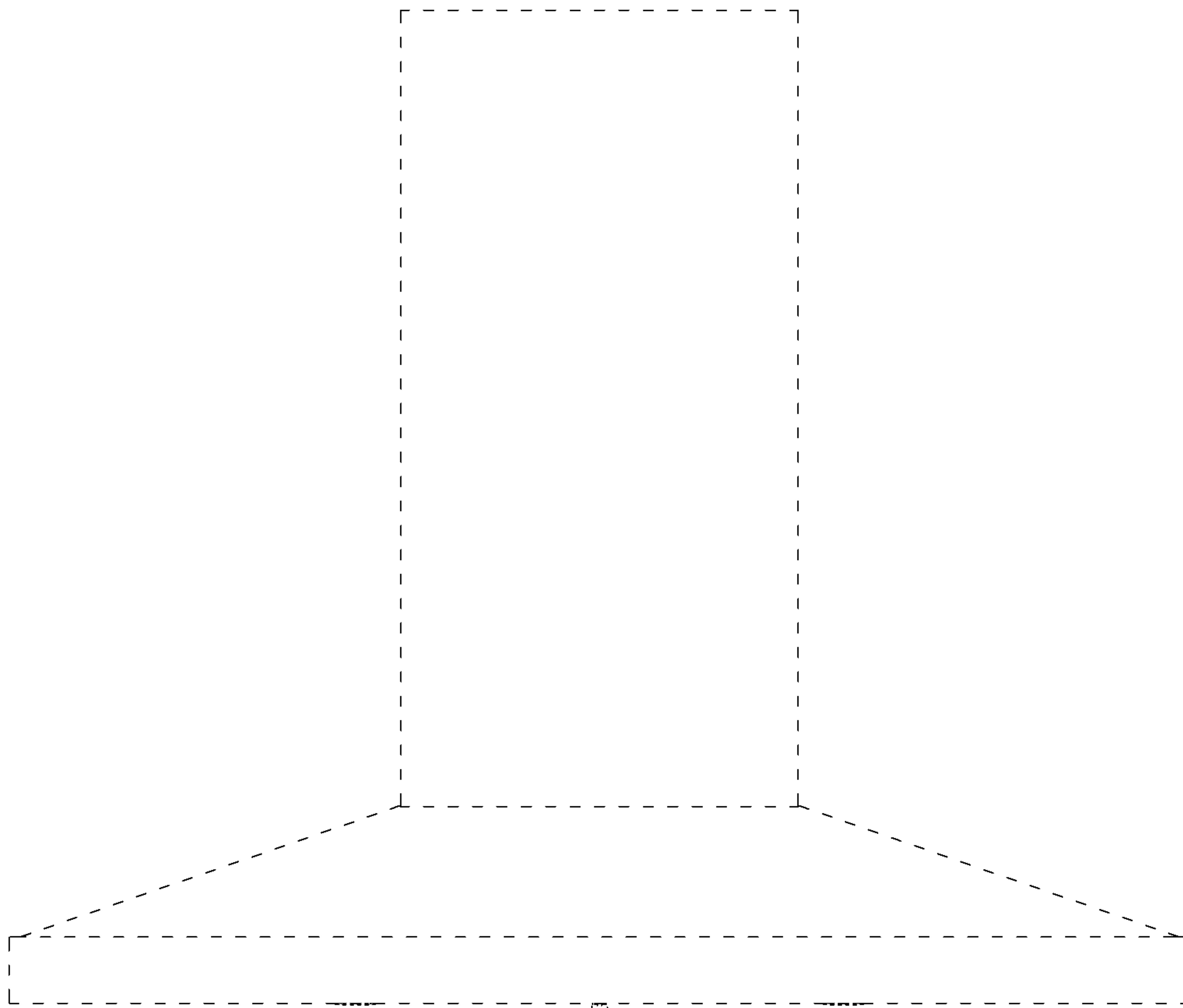


FIG. 4

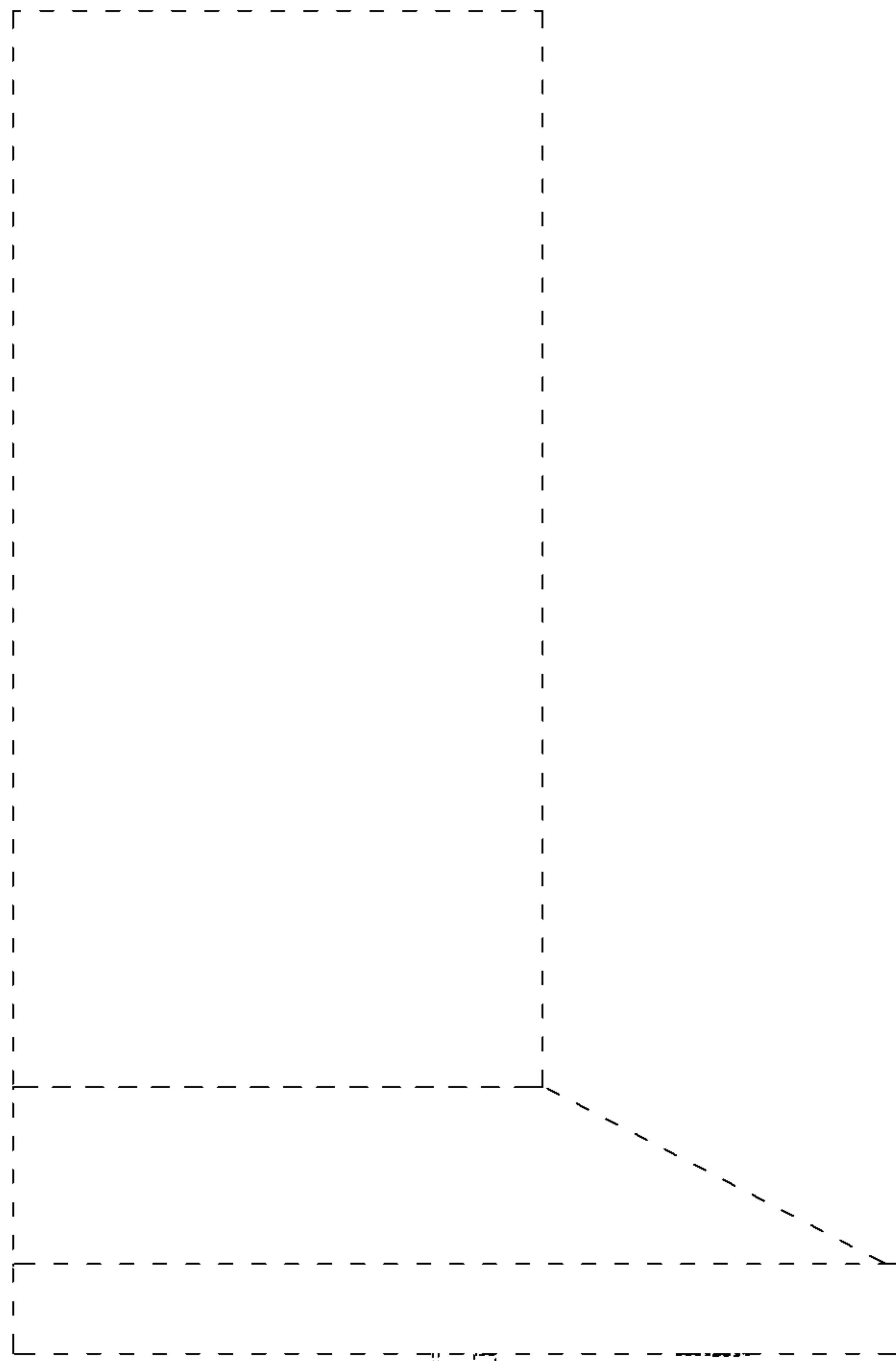


FIG. 5

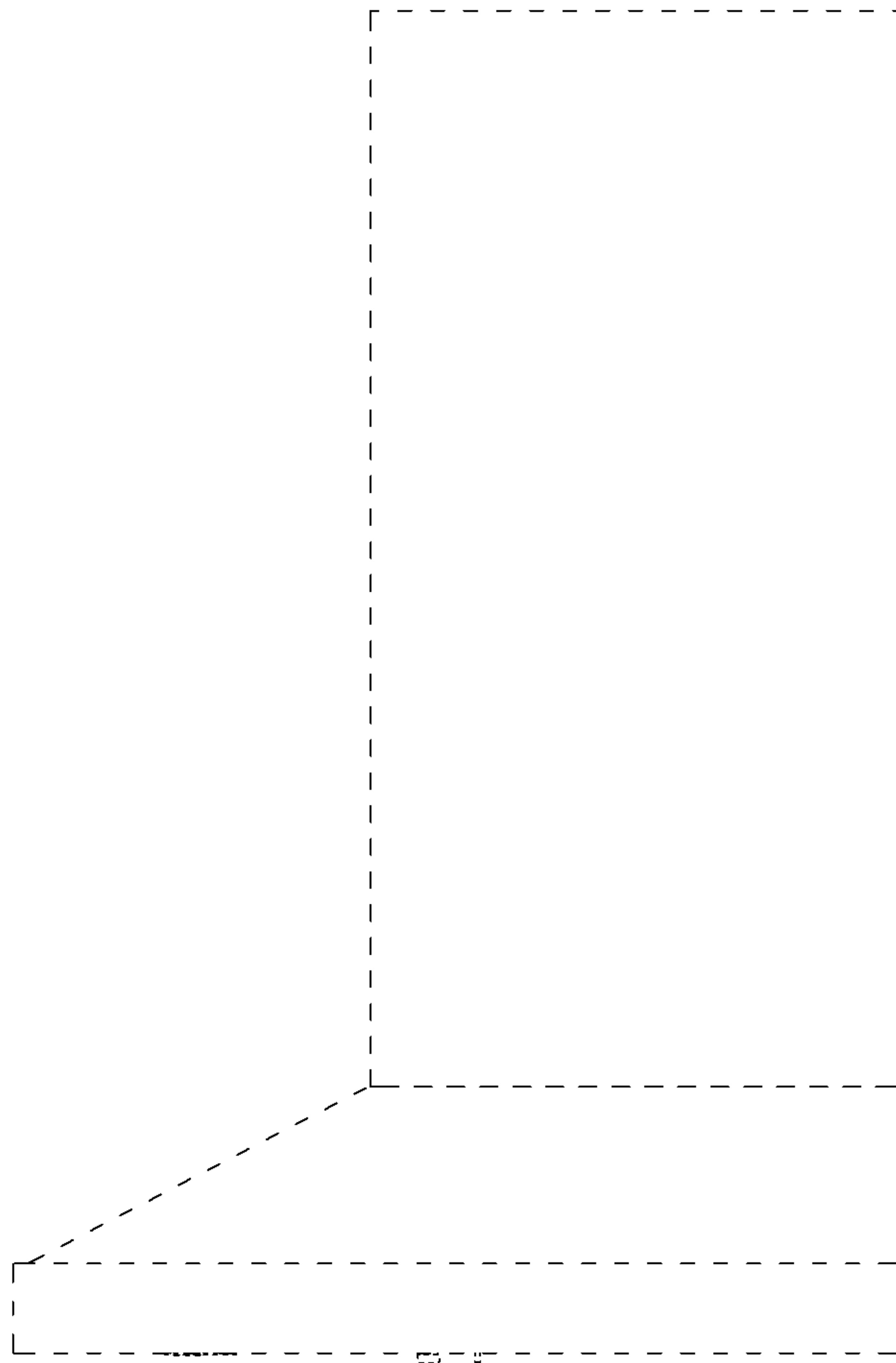


FIG. 6

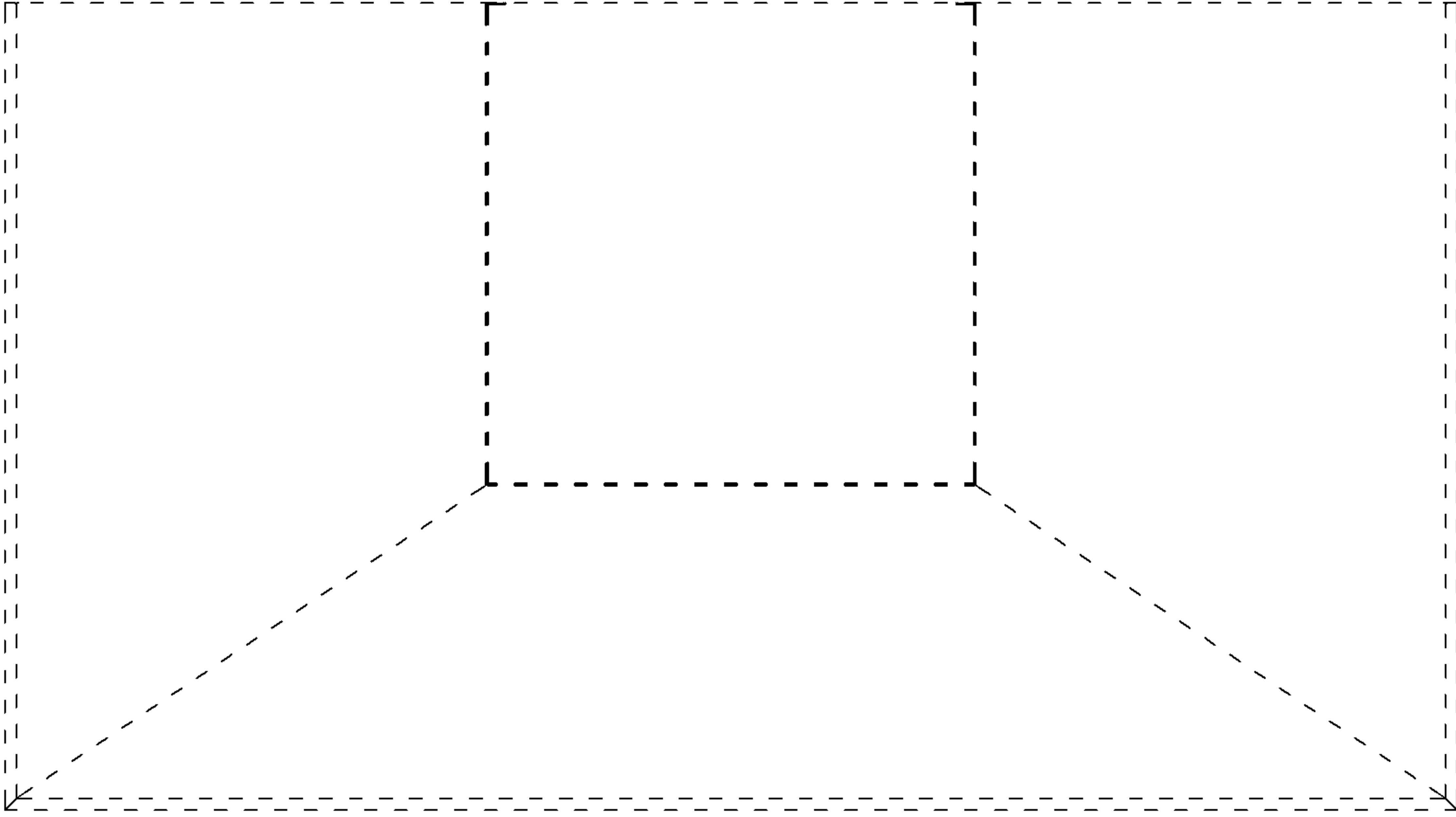


FIG. 7

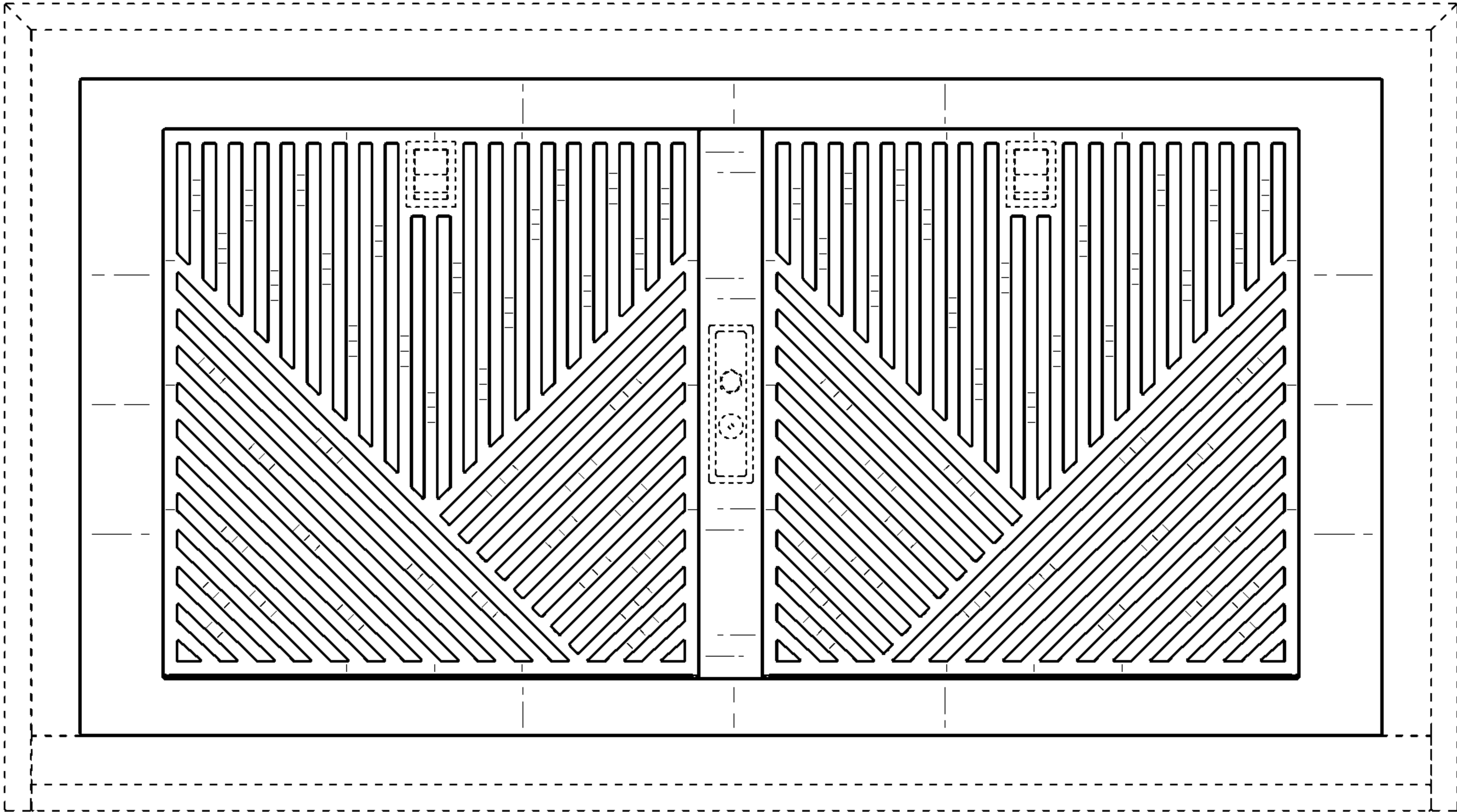


FIG. 8

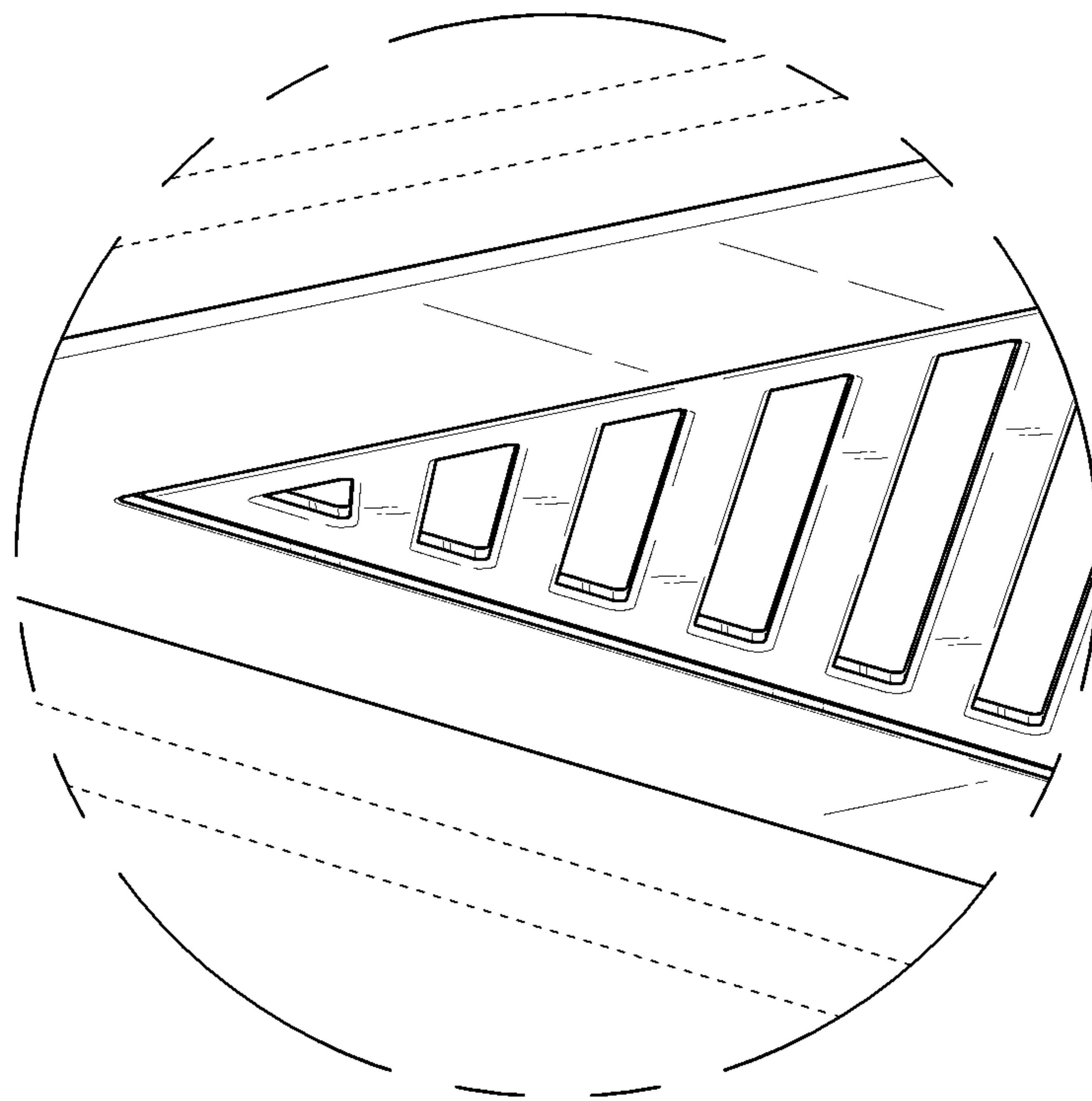


FIG. 9

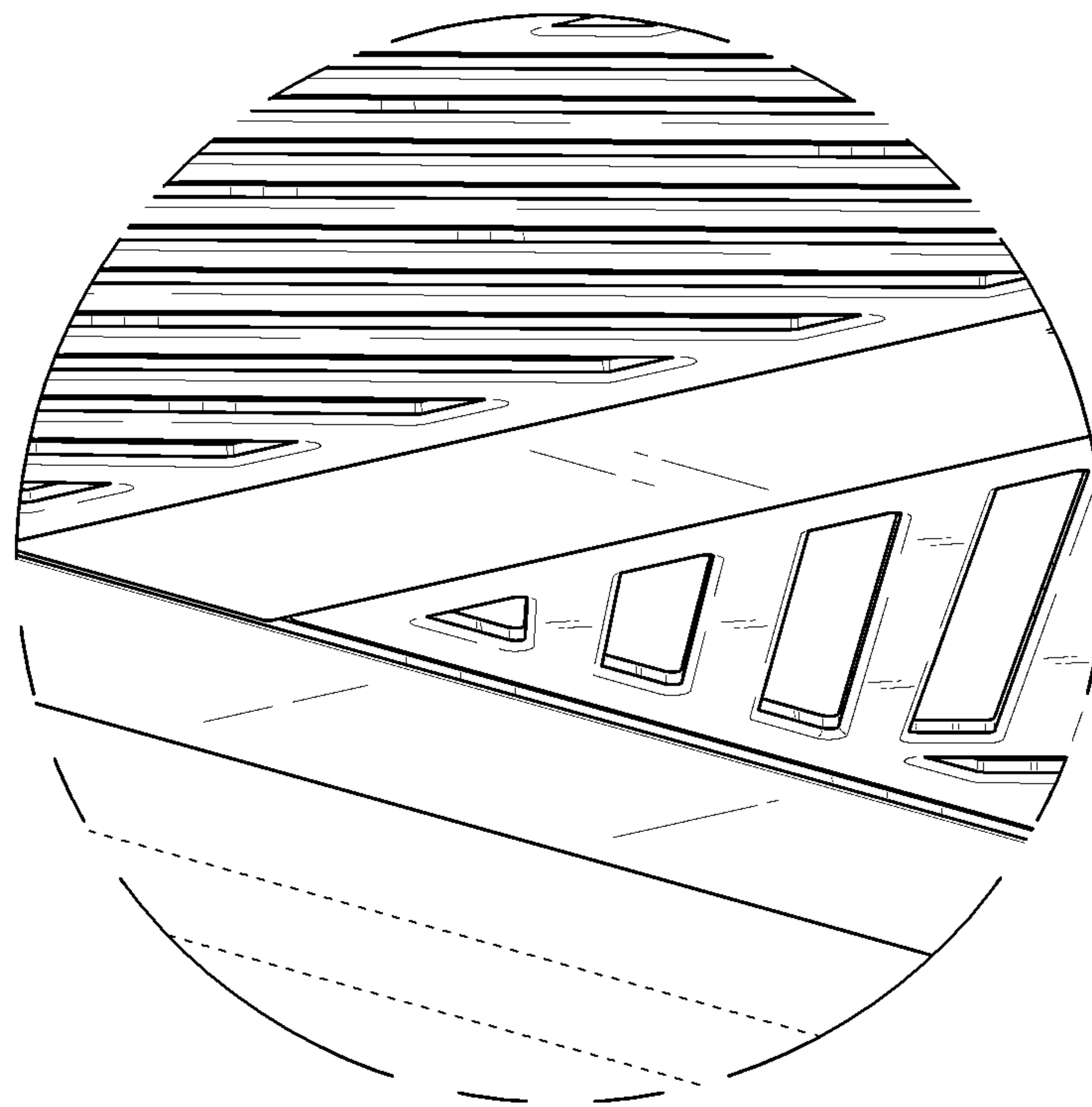


FIG. 10

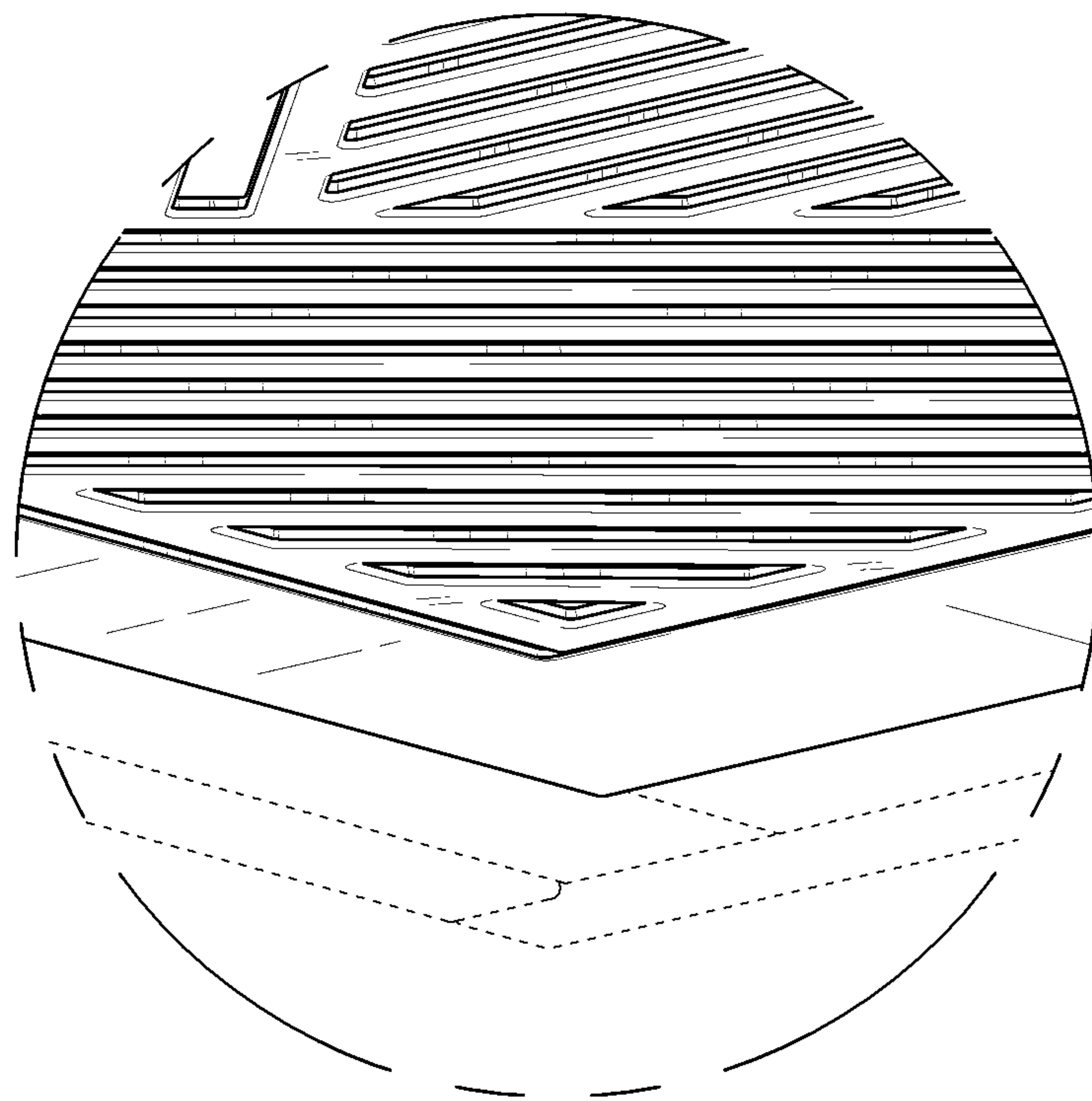


FIG. 11

