



US00D987056S

(12) **United States Design Patent**  
**Zhu**

(10) **Patent No.:** **US D987,056 S**

(45) **Date of Patent:** **\*\* May 23, 2023**

(54) **HANDHELD FAN**

(71) Applicant: **Guangdong Aoyun Technology Co., LTD.**, Huizhou (CN)

(72) Inventor: **Xueping Zhu**, Huizhou (CN)

(73) Assignee: **Guangdong Aoyun Technology Co., LTD.**, Huizhou (CN)

(\*\*) Term: **15 Years**

(21) Appl. No.: **29/886,586**

(22) Filed: **Mar. 10, 2023**

(30) **Foreign Application Priority Data**

Feb. 23, 2023 (CN) ..... 202330070526.7

(51) **LOC (14) Cl.** ..... **23-04**

(52) **U.S. Cl.**  
USPC ..... **D23/382**

(58) **Field of Classification Search**  
USPC ..... D23/370, 377, 380-382, 385, 411-413;  
D26/59  
CPC ..... F04D 25/0673; F04D 25/084  
See application file for complete search history.

(56) **References Cited**

**U.S. PATENT DOCUMENTS**

D837,963 S \* 1/2019 Xu ..... D23/382  
D841,796 S \* 2/2019 Freeland ..... D23/370  
D885,555 S \* 5/2020 Wang ..... D23/382

D886,982 S \* 6/2020 Li ..... D23/379  
D893,699 S \* 8/2020 Zhu ..... D23/382  
D902,373 S \* 11/2020 Xu ..... D23/382  
D907,187 S \* 1/2021 Li ..... D23/382  
D937,402 S \* 11/2021 Zhao ..... D23/382  
D940,295 S \* 1/2022 Li ..... D23/382  
D959,638 S \* 8/2022 Ahn ..... D23/382  
D963,832 S \* 9/2022 Yang ..... D23/382  
D964,544 S \* 9/2022 Zou ..... D23/382  
2021/0180601 A1 \* 6/2021 Ling ..... F04D 29/053

\* cited by examiner

*Primary Examiner* — Janice Hallmark

(74) *Attorney, Agent, or Firm* — Kunzler Bean & Adamson, PC; Michael Bartholomew

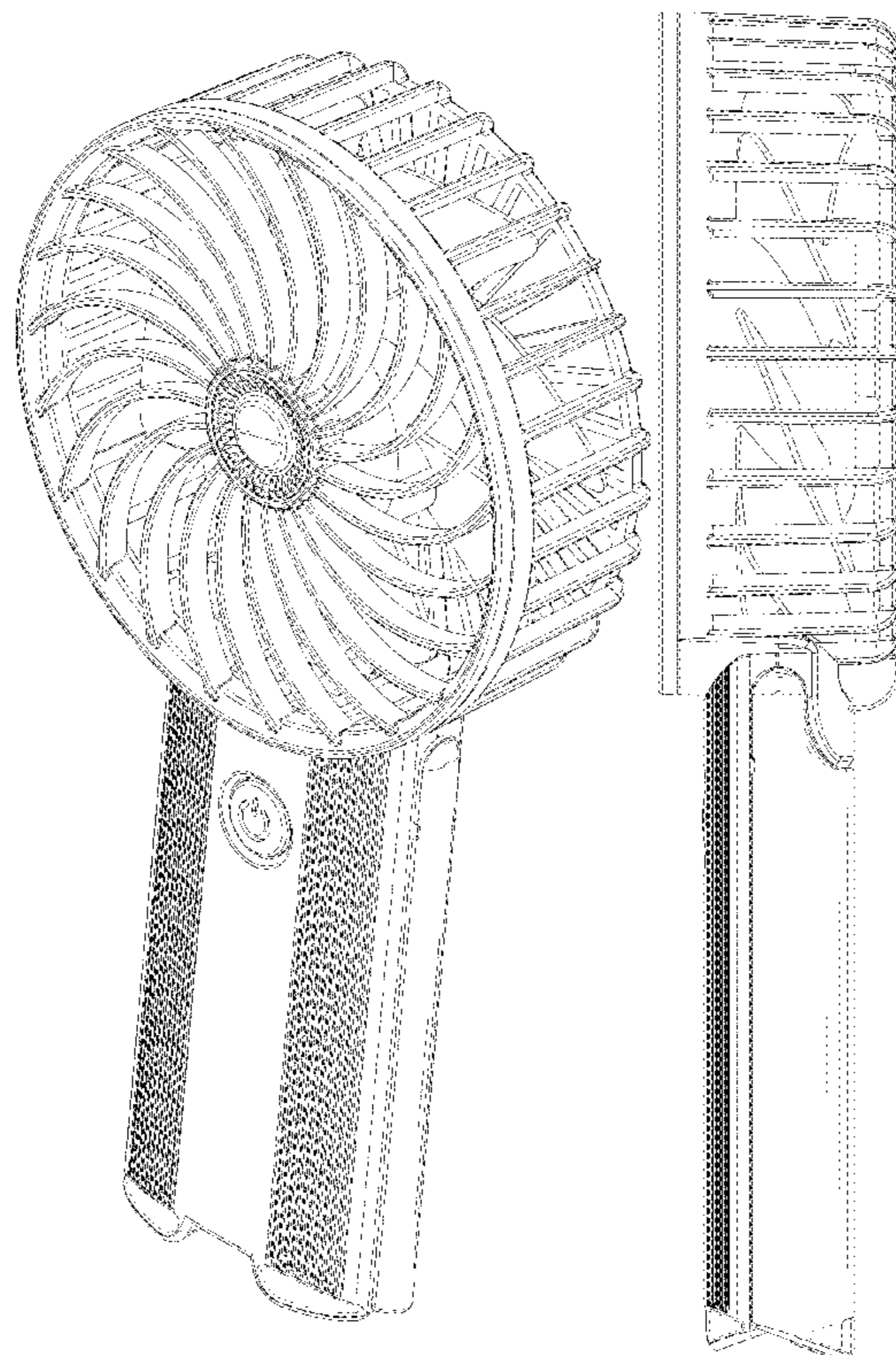
(57) **CLAIM**

The ornamental design for a handheld fan, as shown and described.

**DESCRIPTION**

FIG. 1 is a front, right and top perspective view of a handheld fan, showing my design.  
FIG. 2 is a front elevation view thereof.  
FIG. 3 is a rear elevation view thereof.  
FIG. 4 is a left side elevation view thereof.  
FIG. 5 is a right side elevation view thereof.  
FIG. 6 is a top plan view thereof.  
FIG. 7 is a bottom plan view thereof; and,  
FIG. 8 is another front, right and top perspective view of the handheld fan in another state.  
The broken lines depict portions of the handheld fan that form no part of the claimed design.

**1 Claim, 8 Drawing Sheets**



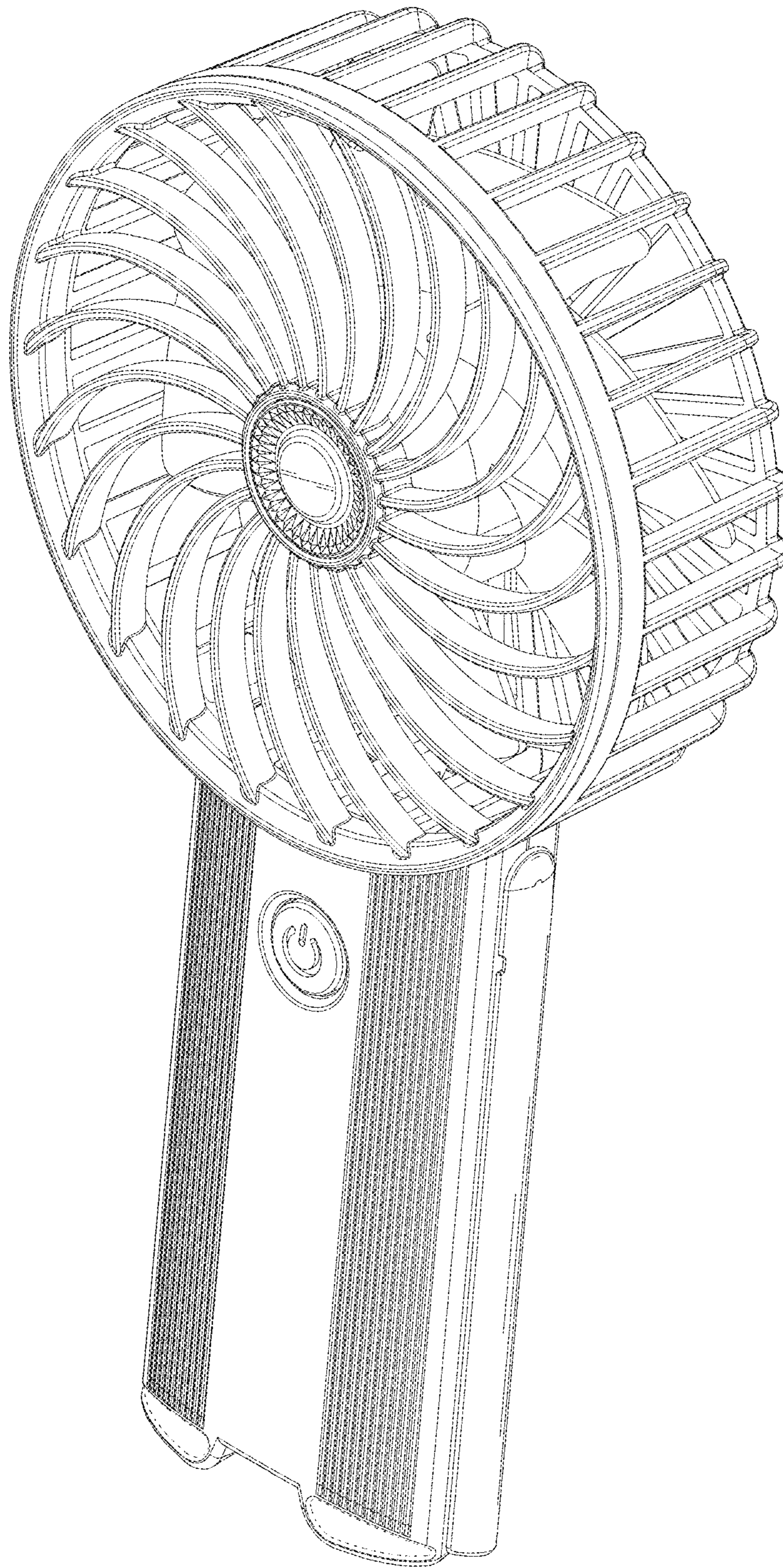


FIG. 1

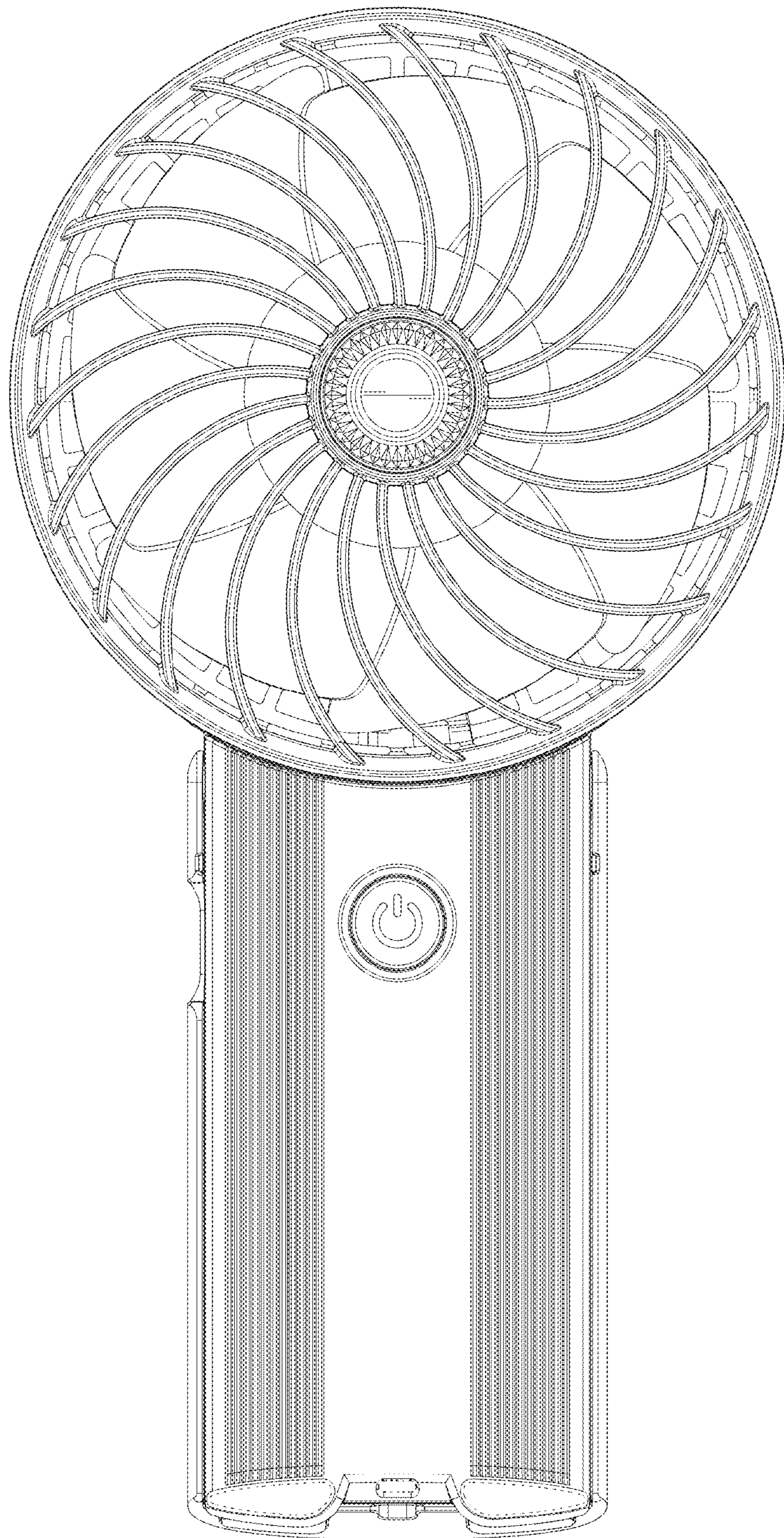


FIG. 2

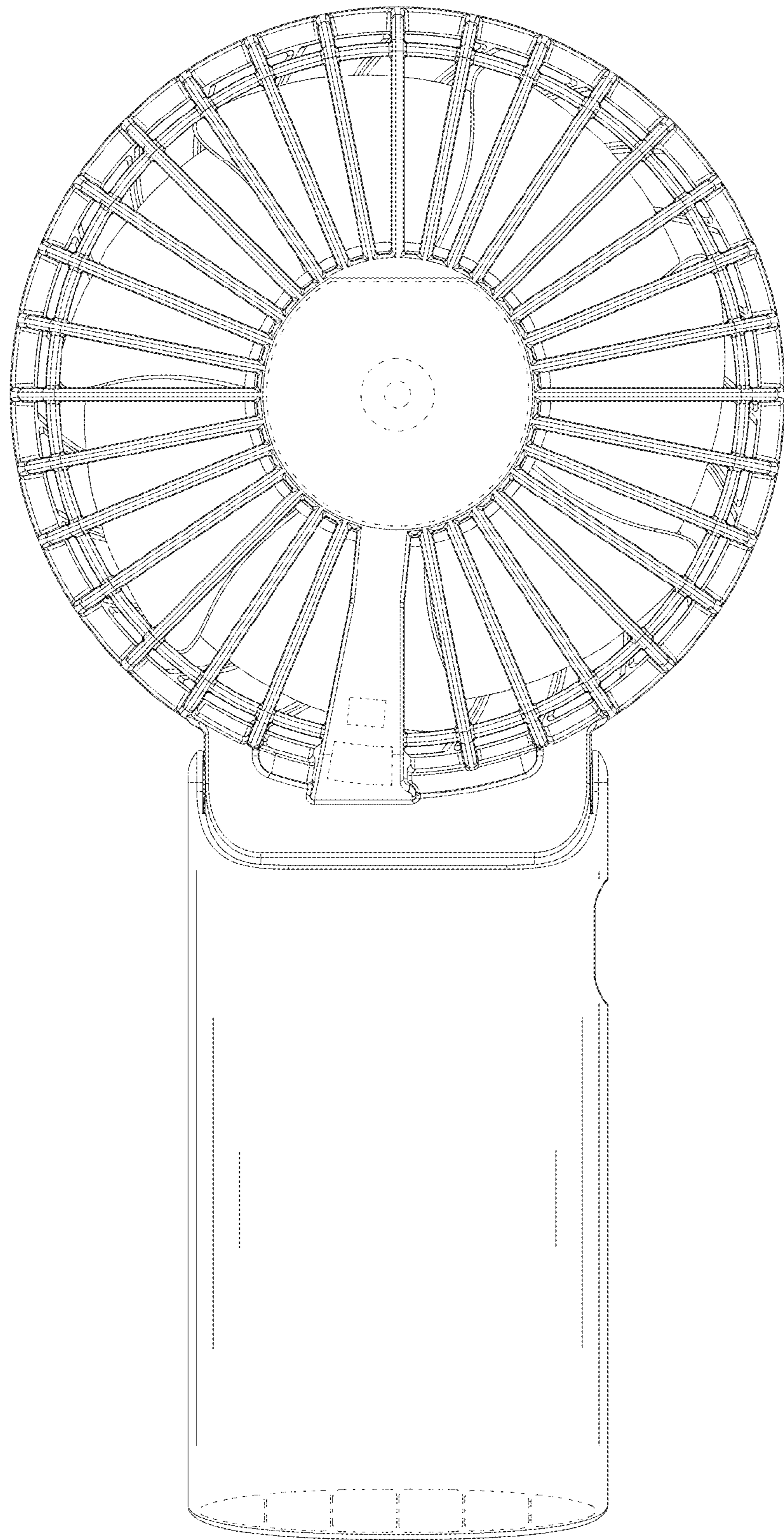


FIG. 3

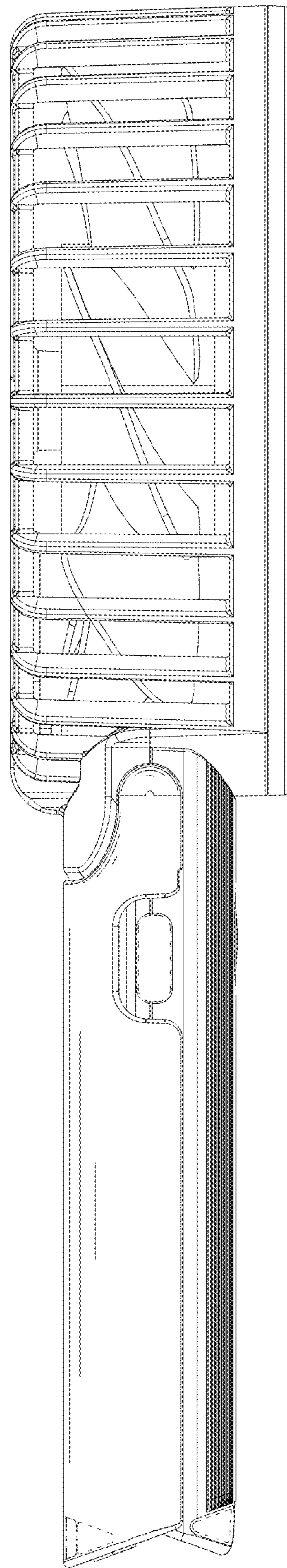


FIG. 4

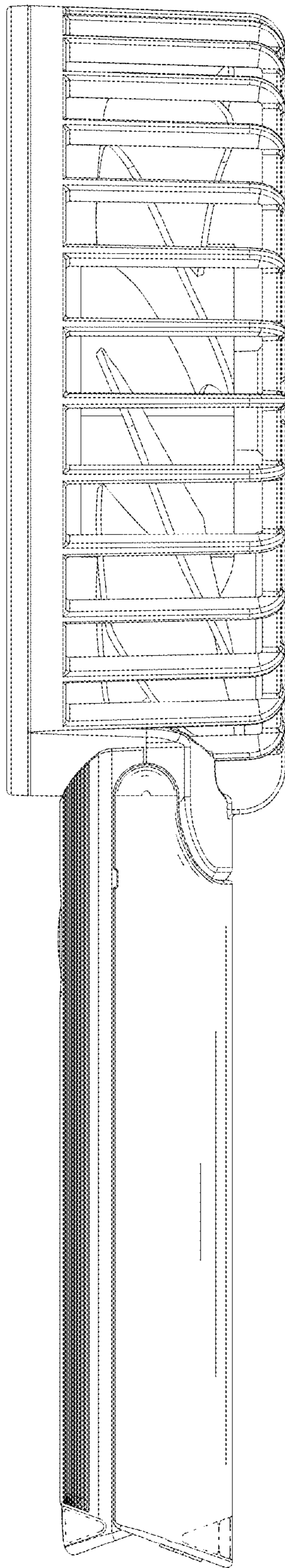


FIG.5

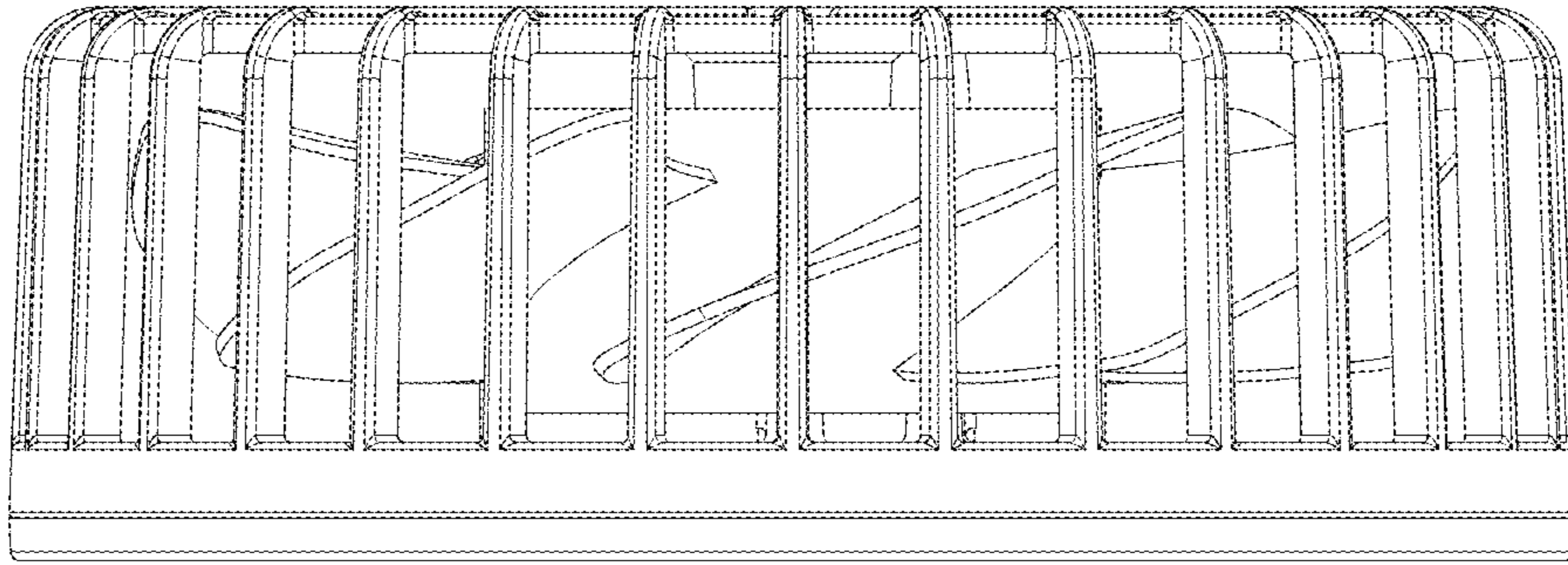


FIG.6

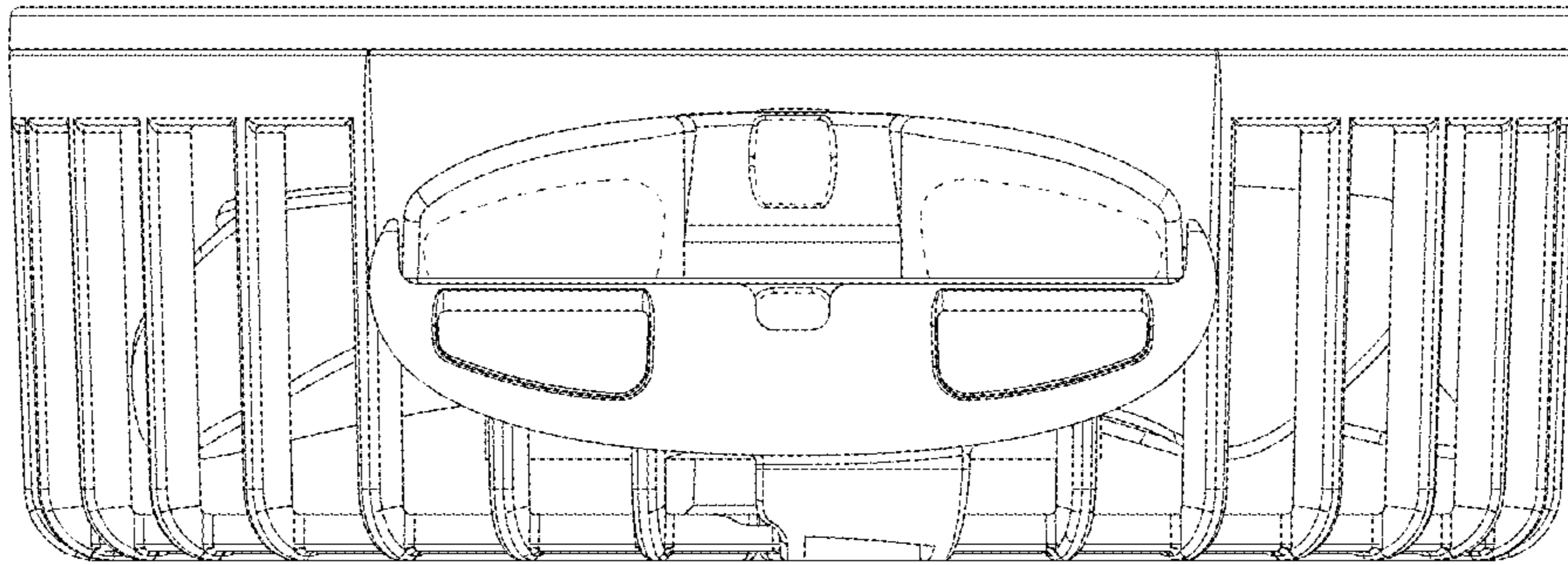


FIG.7



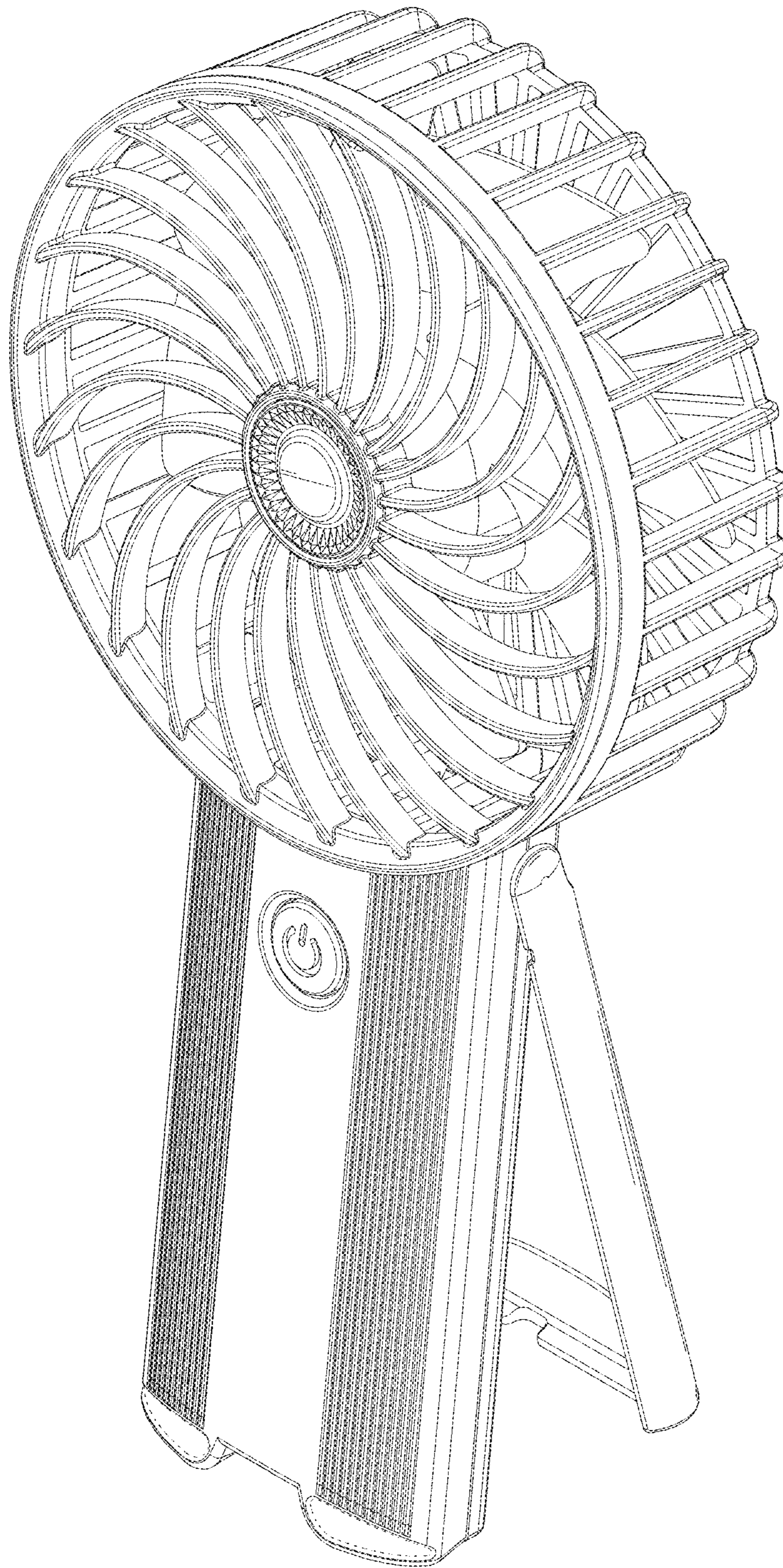


FIG.8