



US00D987055S

(12) **United States Design Patent**
Lin

(10) **Patent No.:** **US D987,055 S**

(45) **Date of Patent:** **** May 23, 2023**

- (54) **FAN**
- (71) Applicant: **Xiuwei Lin**, Puning (CN)
- (72) Inventor: **Xiuwei Lin**, Puning (CN)
- (**) Term: **15 Years**
- (21) Appl. No.: **29/881,218**
- (22) Filed: **Dec. 29, 2022**
- (51) **LOC (14) Cl.** **23-04**
- (52) **U.S. Cl.**
USPC **D23/382**
- (58) **Field of Classification Search**
USPC D23/332-333, 335-336, 370, 377, 379,
D23/381-382, 385
CPC F04D 25/0673; F04D 25/08; F04D 25/084;
F04D 25/086
See application file for complete search history.

| | | | | |
|-------------------|---------|--------|-------|-------------|
| D919,075 S * | 5/2021 | Lin | | D23/381 |
| D921,179 S | 6/2021 | Haggar | | |
| D952,116 S | 5/2022 | Cai | | |
| D962,416 S * | 8/2022 | Lin | | D23/381 |
| D965,134 S * | 9/2022 | Lin | | D23/382 |
| D967,391 S * | 10/2022 | Lin | | D23/382 |
| D974,540 S * | 1/2023 | Tang | | D23/381 |
| 2022/0080437 A1 * | 3/2022 | Zhong | | B05B 1/3006 |

* cited by examiner

Primary Examiner — Sharon S Oum

(74) *Attorney, Agent, or Firm* — Runit Ranjit Kanakia

(57) **CLAIM**

The ornamental design for a fan, as shown and described.

DESCRIPTION

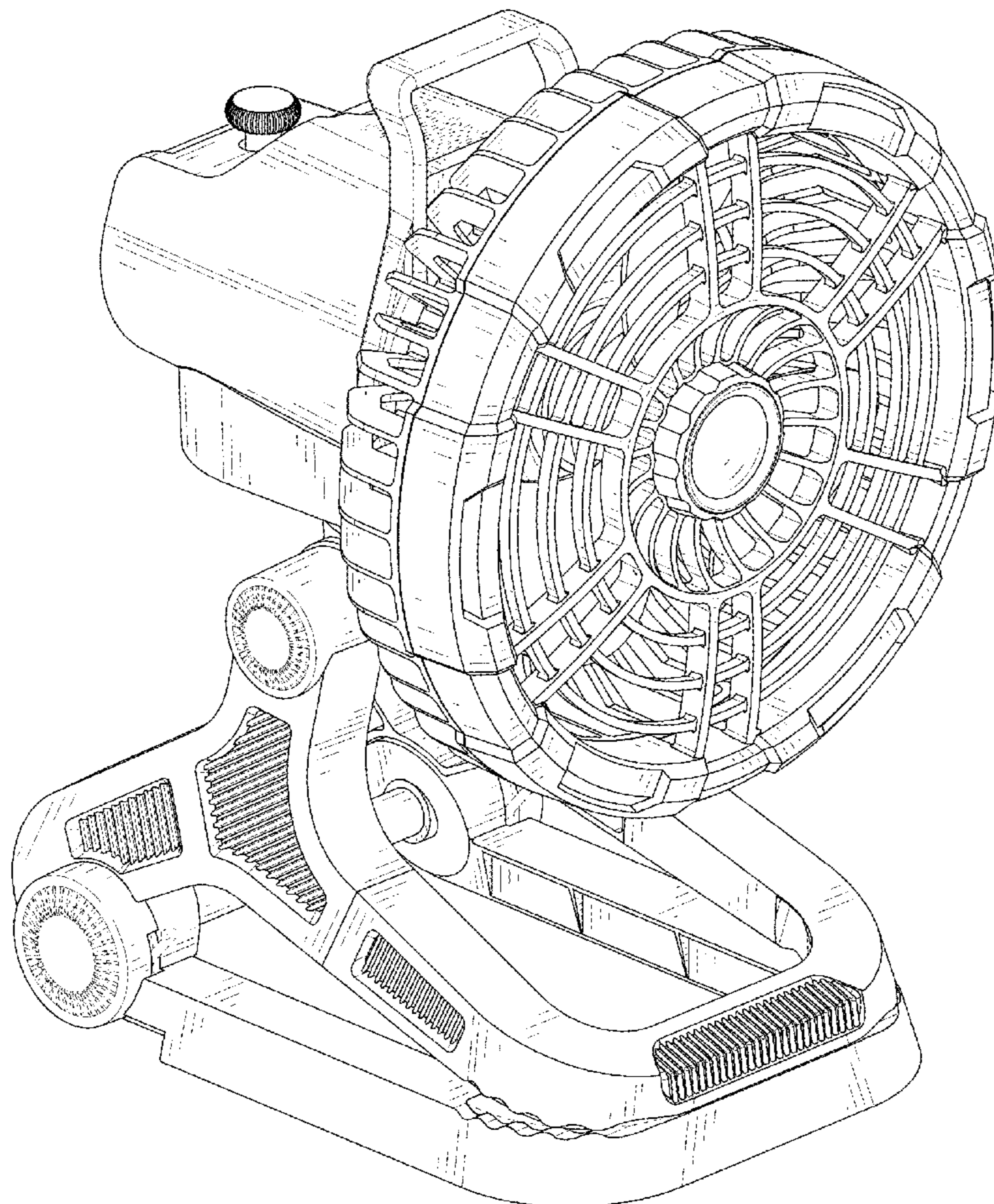
FIG. 1 is a first perspective view of a fan showing my new design;
 FIG. 2 is a second perspective view thereof;
 FIG. 3 is a front view thereof;
 FIG. 4 is a back view thereof;
 FIG. 5 is a left side view thereof;
 FIG. 6 is a right side view thereof;
 FIG. 7 is a top view thereof; and,
 FIG. 8 is a bottom view thereof.
 The broken lines shown in the drawings depict portions of the fan that form no part of the claimed design.

1 Claim, 8 Drawing Sheets

(56) **References Cited**

U.S. PATENT DOCUMENTS

| | | | | |
|--------------|--------|------------------|-------|---------|
| D674,888 S * | 1/2013 | Kawase | | D23/370 |
| D783,796 S | 4/2017 | Badarello et al. | | |
| D893,698 S * | 8/2020 | Lin | | D23/381 |



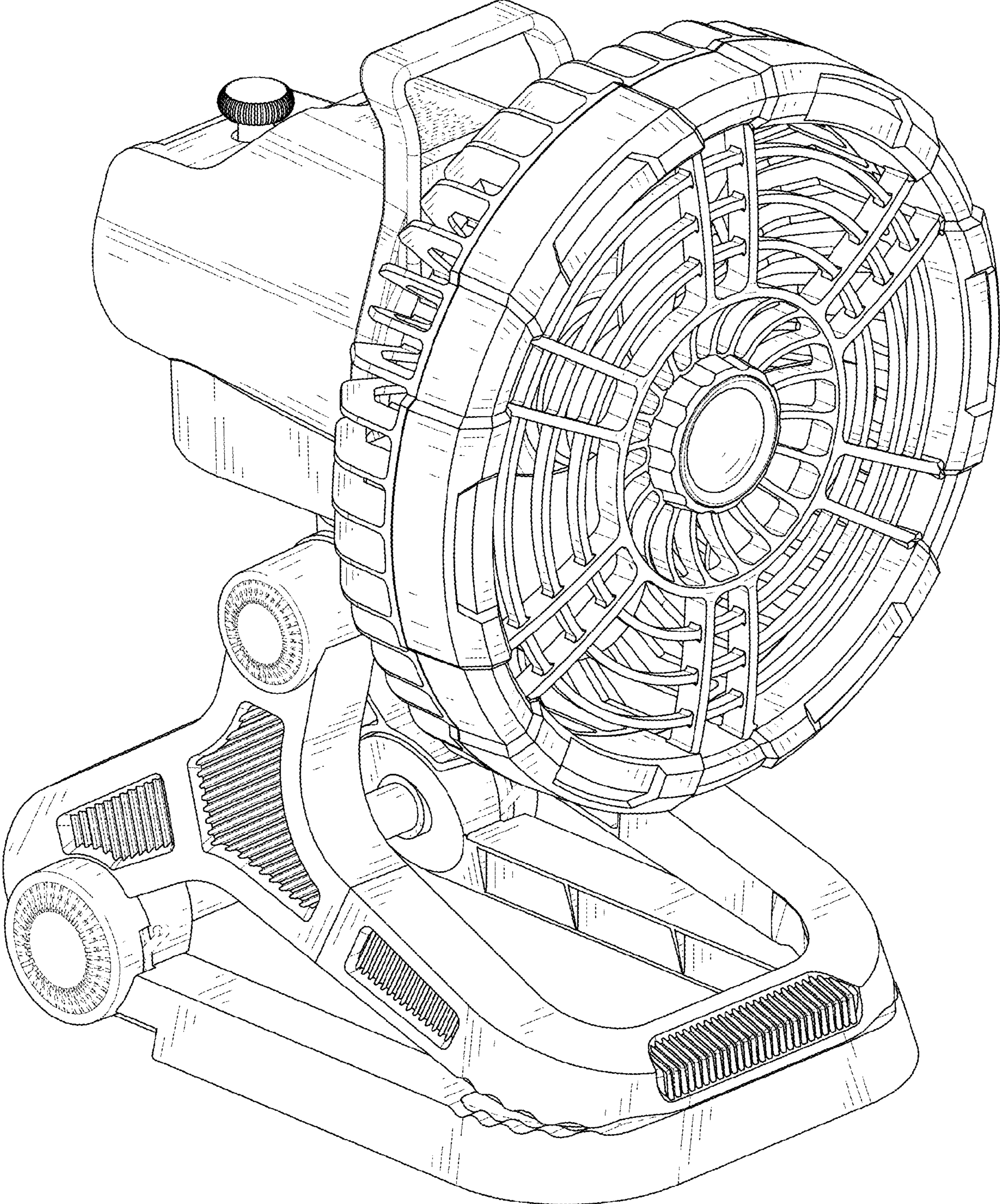


FIG. 1

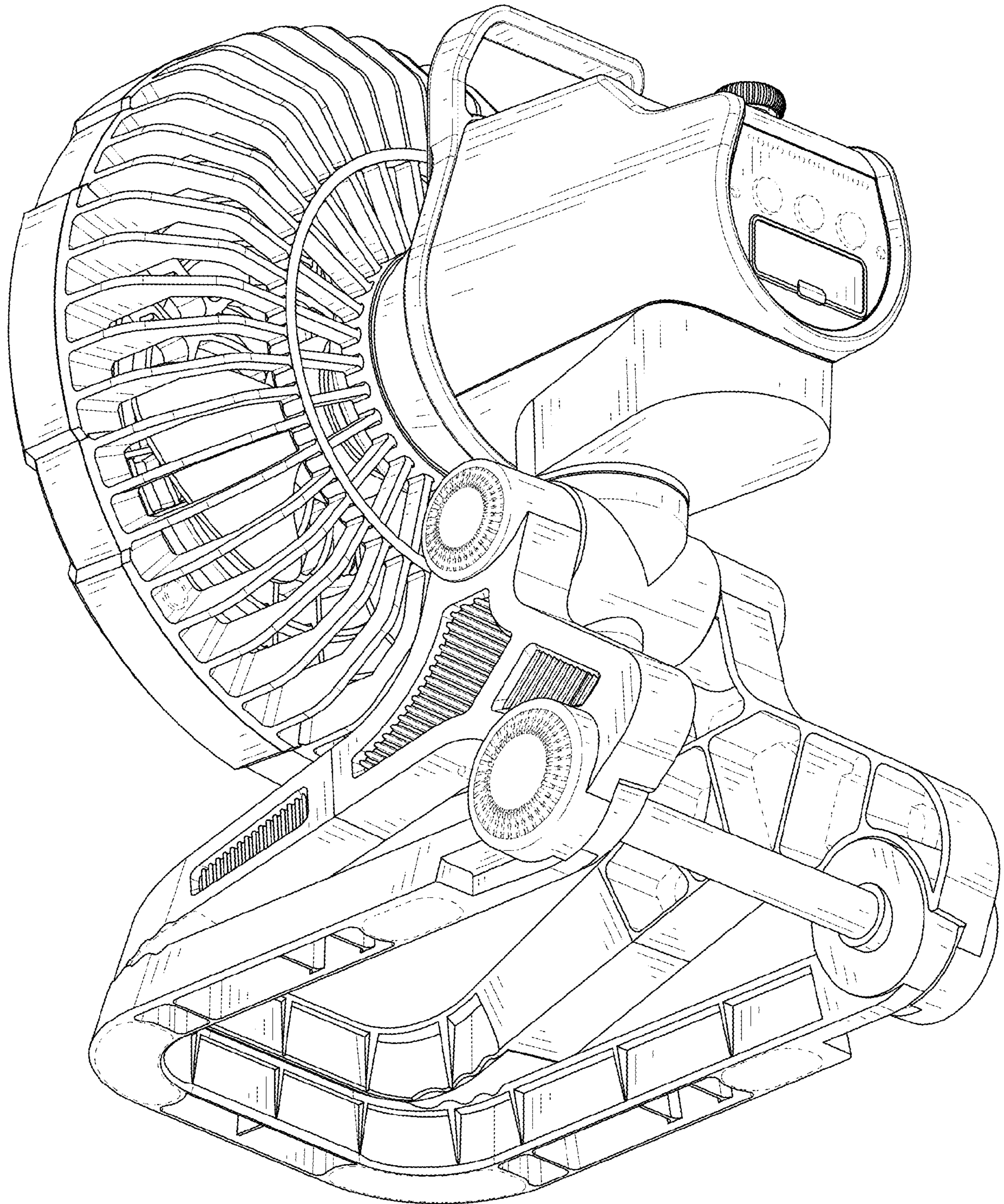


FIG. 2

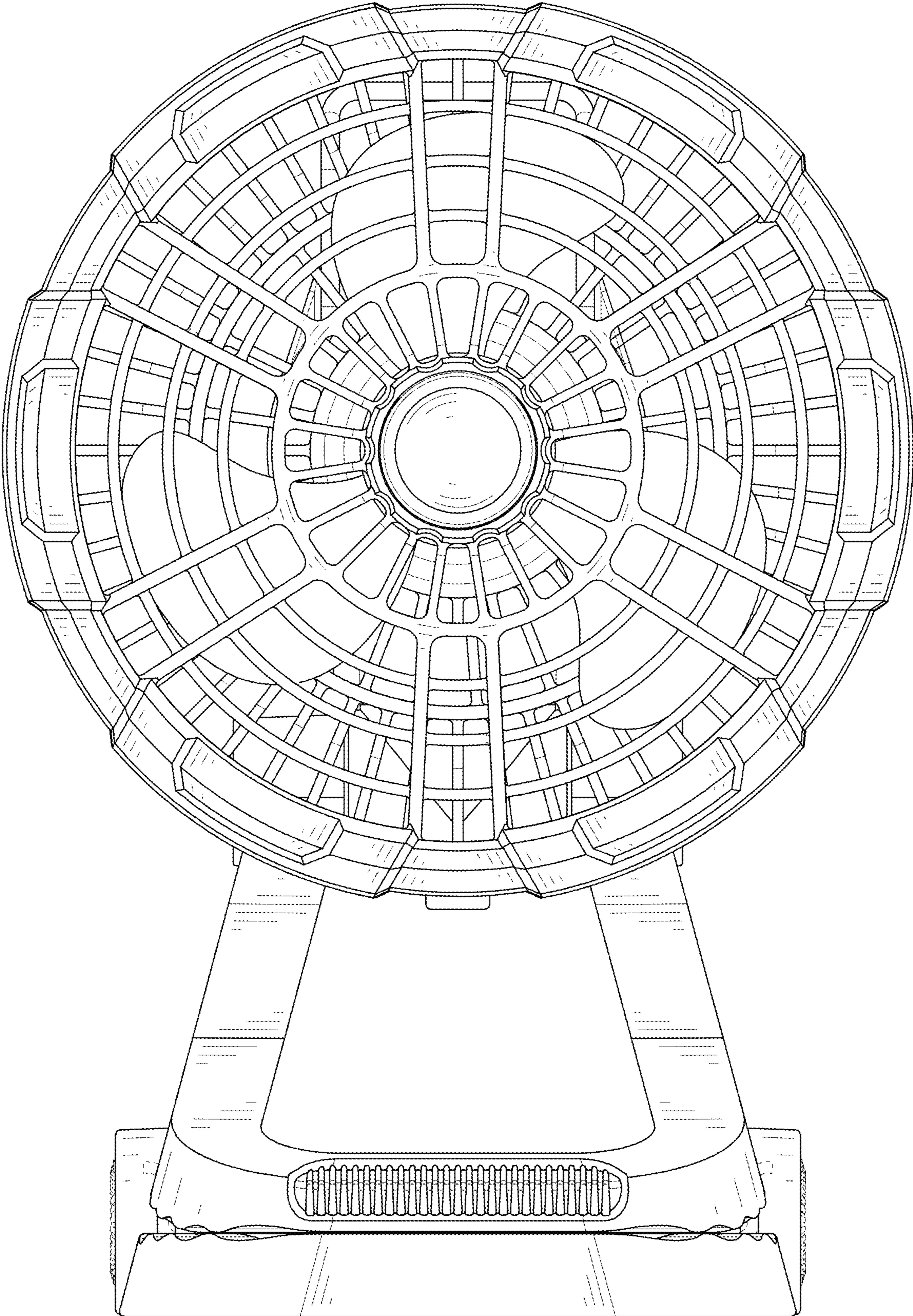


FIG. 3

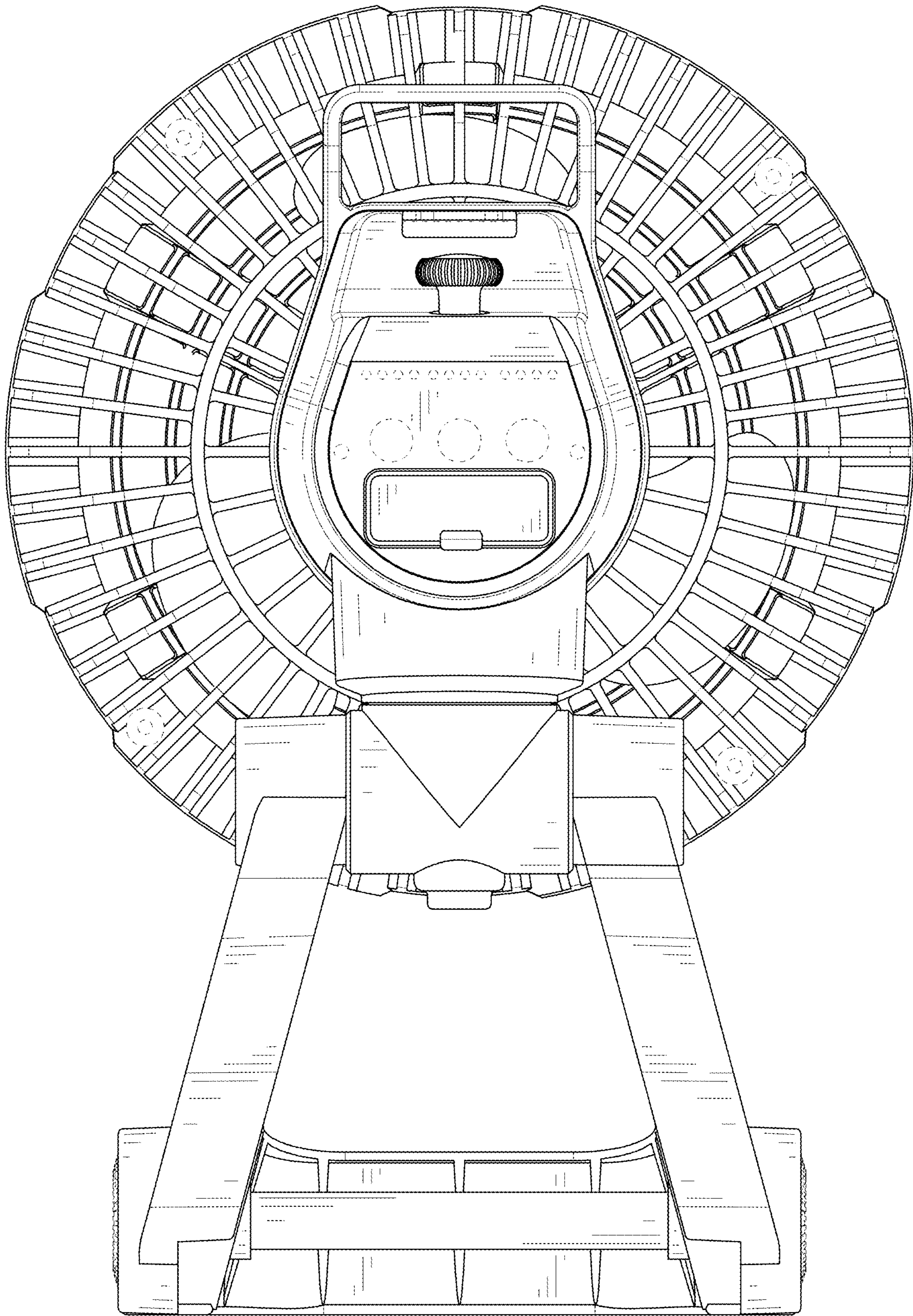


FIG. 4

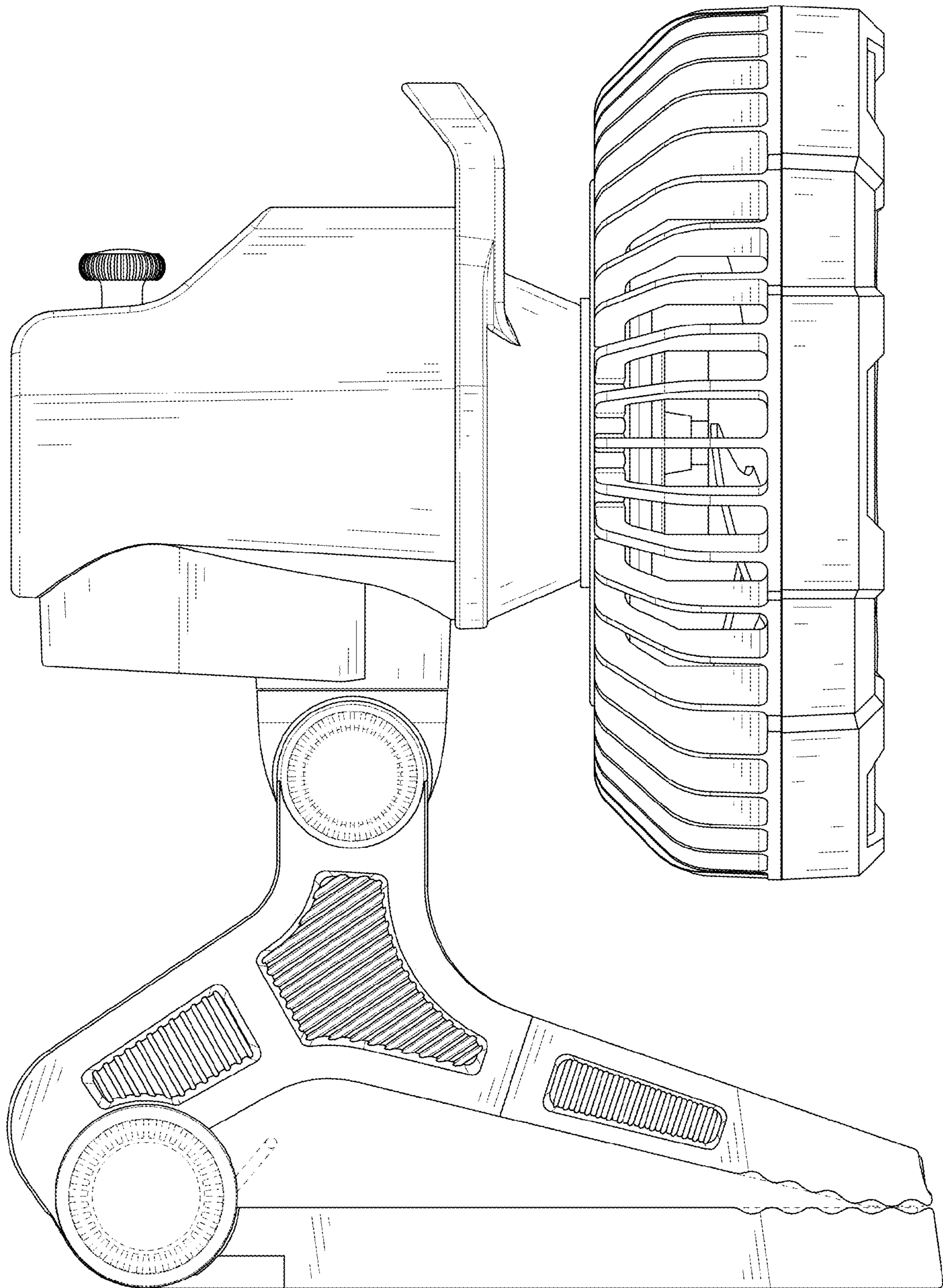


FIG. 5

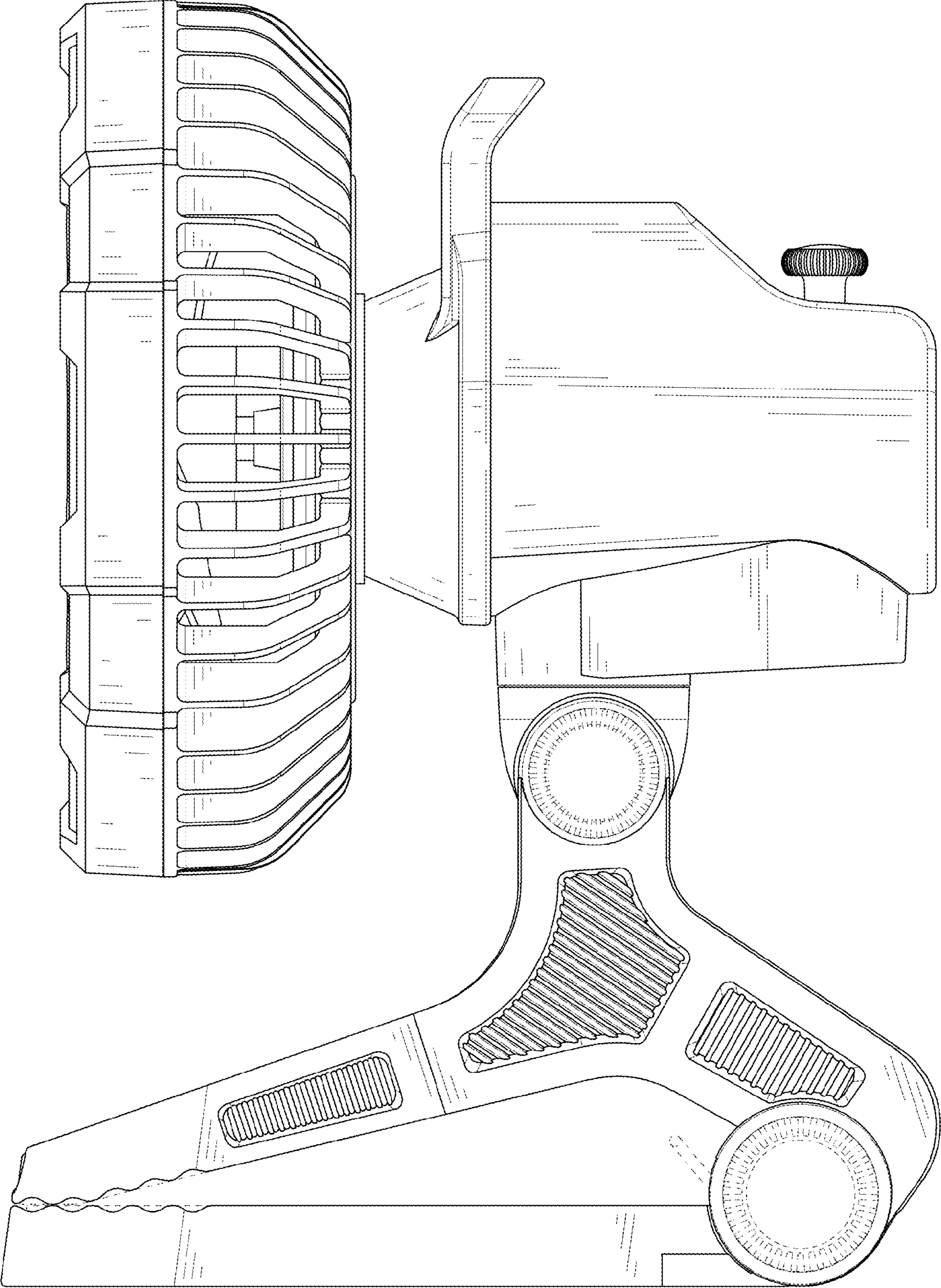


FIG. 6

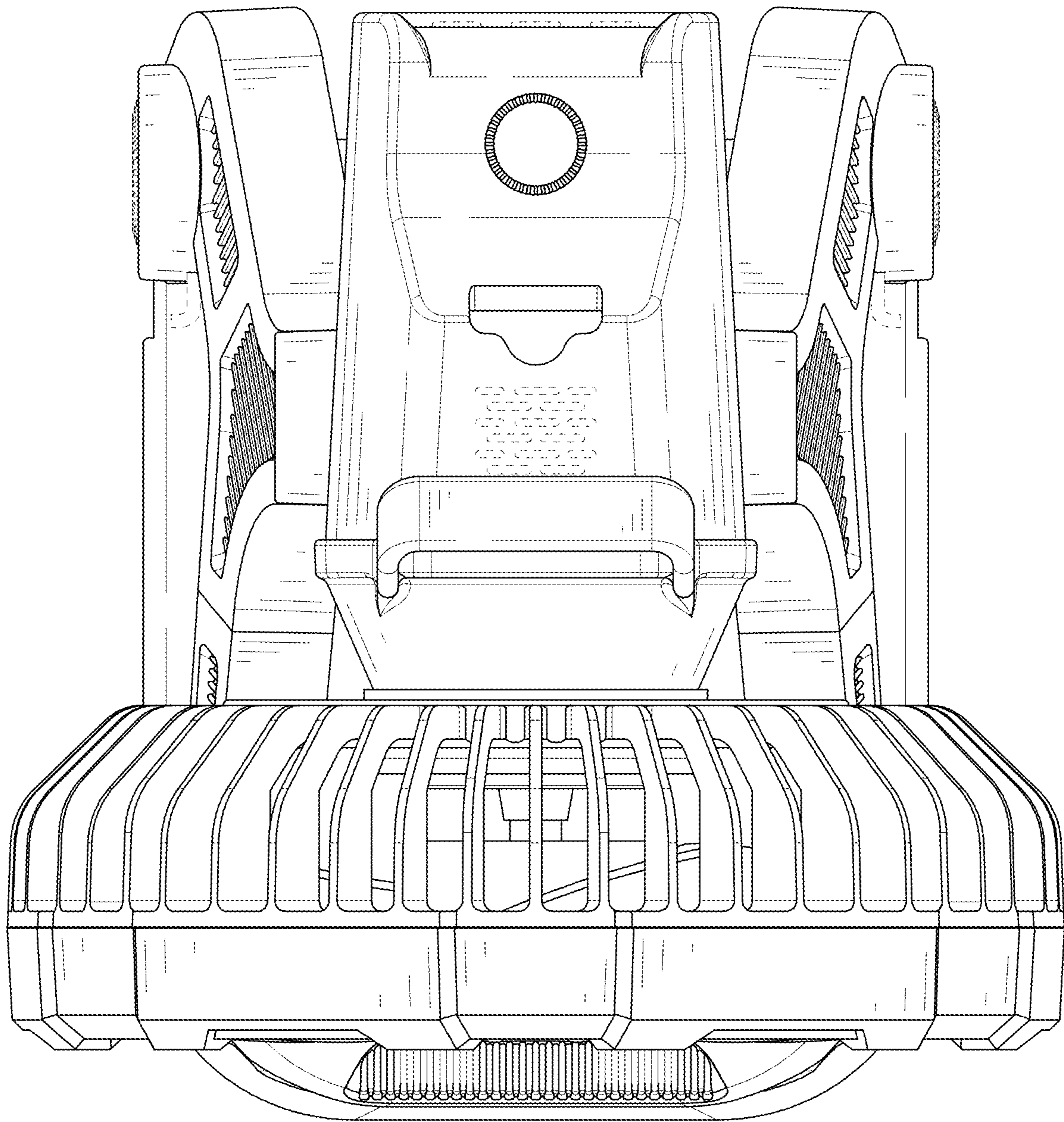


FIG. 7

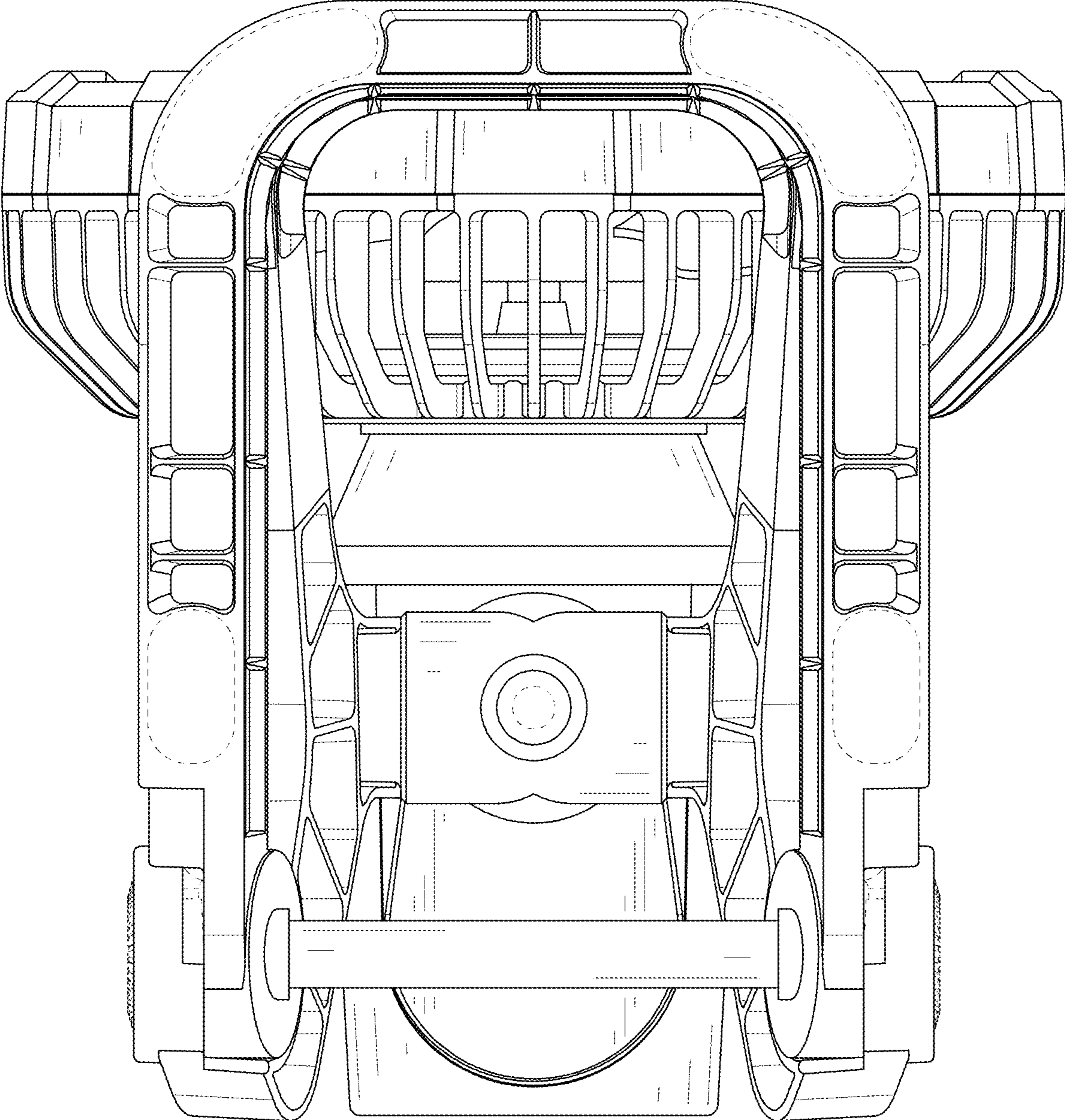


FIG. 8