



US00D987054S

(12) **United States Design Patent**
Avedon

(10) **Patent No.:** **US D987,054 S**

(45) **Date of Patent:** **** May 23, 2023**

- (54) **AIR MOVING DEVICE**
- (71) Applicant: **AIRIUS IP HOLDINGS LLC**,
Longmont, CO (US)
- (72) Inventor: **Raymond B. Avedon**, Boulder, CO
(US)
- (73) Assignee: **AIRIUS IP HOLDINGS, LLC**,
Longmont, CO (US)
- (**) Term: **15 Years**
- (21) Appl. No.: **29/684,153**
- (22) Filed: **Mar. 19, 2019**
- (51) **LOC (14) Cl.** **23-04**
- (52) **U.S. Cl.**
USPC **D23/382**
- (58) **Field of Classification Search**
USPC D23/370, 379, 381, 382, 385, 411-414,
D23/314; D26/59
CPC F04D 19/002; F04D 29/646; F04D 29/325;
F04D 29/522
See application file for complete search history.

D404,617 S	1/1999	Mick et al.
D407,696 S	4/1999	Shimazu
5,938,527 A	8/1999	Oshima et al.
D443,053 S	5/2001	Schaefer
6,360,816 B1 *	3/2002	Wagner H01L 23/467 165/122
D457,142 S	5/2002	Chang
D457,452 S	5/2002	Christiansen
D457,613 S	5/2002	Schaefer
D470,066 S	2/2003	Christiansen
D470,731 S	2/2003	Hipgrave et al.
D481,127 S	10/2003	Hayamizu
D489,967 S	5/2004	Funk
D500,773 S	1/2005	Colson et al.

(Continued)

FOREIGN PATENT DOCUMENTS

GB	190617978	5/1907
WO	WO 2020/214729	10/2020

Primary Examiner — Janice Hallmark

(74) *Attorney, Agent, or Firm* — Knobbe, Martens, Olson & Bear, LLP

(57) **CLAIM**

The ornamental design for an air moving device, as shown and described.

(56) **References Cited**

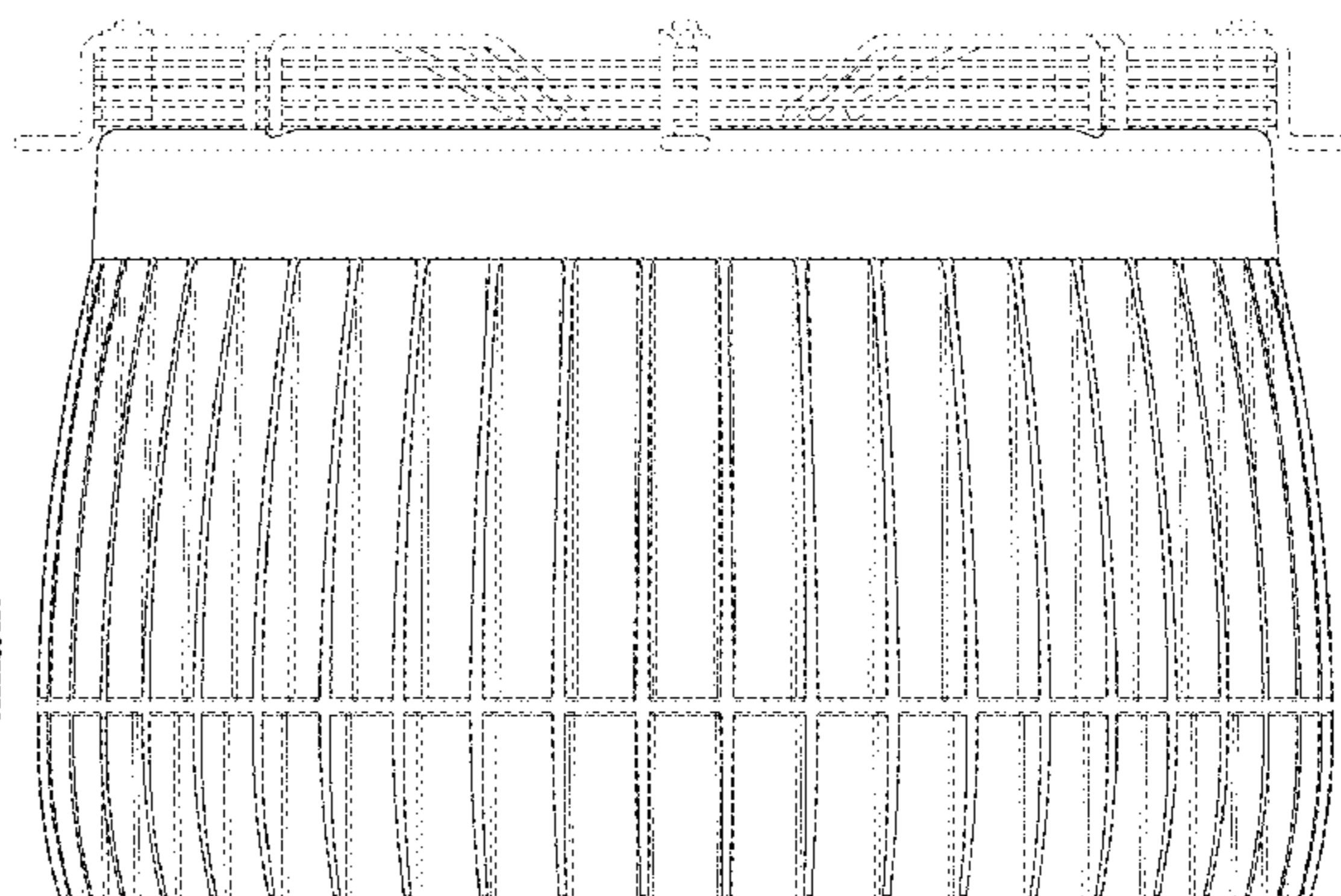
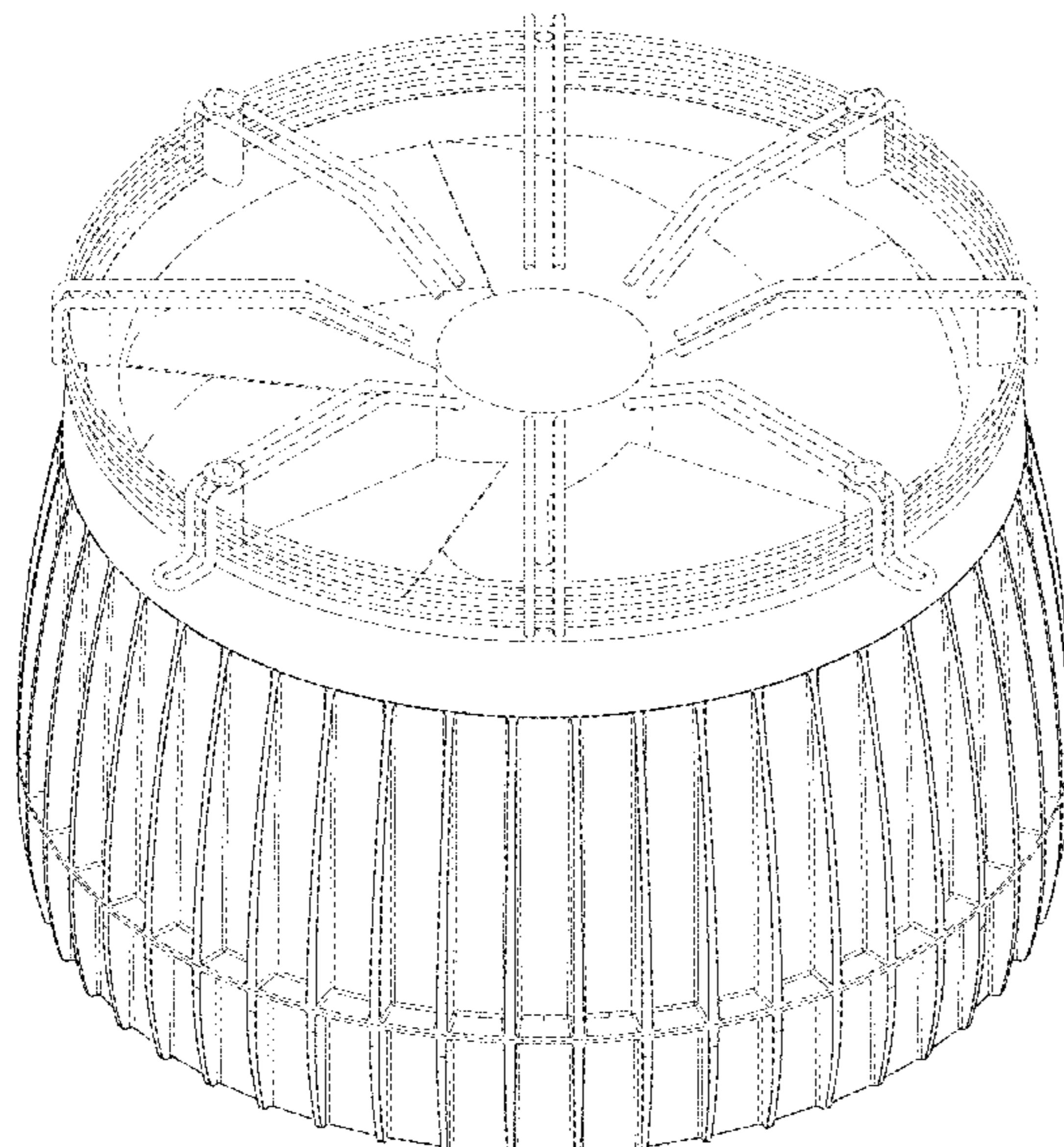
U.S. PATENT DOCUMENTS

2,300,574 A	11/1942	Jepertinger	
D195,287 S *	5/1963	Downing	D23/370
D246,467 S	11/1977	Kurata	
D269,638 S	7/1983	Frye, Jr. et al.	
D272,184 S	1/1984	Karpowicz	
D273,793 S	5/1984	Nachatelo	
D274,772 S	7/1984	Obland	
D291,488 S *	8/1987	Delmas	D23/383
D312,875 S	12/1990	Spock	
D314,619 S	2/1991	Beavers et al.	
D328,405 S	8/1992	Heiligenstein et al.	
D335,532 S	5/1993	Lopez	
D337,157 S	7/1993	Ortiz	
D386,267 S	11/1997	Tickner	

DESCRIPTION

FIG. 1 is a top perspective view of an air moving device showing the new design;
 FIG. 2 is a front side view thereof;
 FIG. 3 is a rear side view thereof;
 FIG. 4 is a right side view thereof;
 FIG. 5 is a left side view thereof;
 FIG. 6 is a top view thereof; and,
 FIG. 7 is a bottom view thereof.
 The broken lines in the drawing views are included for the purpose of illustrating portions of the air moving device that form no part of the claimed design.

1 Claim, 7 Drawing Sheets



(56)

References Cited

U.S. PATENT DOCUMENTS

D505,627 S	5/2005	Py et al.		D803,381 S	11/2017	Kim et al.	
D514,688 S *	2/2006	Avedon	D23/379	D805,176 S *	12/2017	Avedon	D23/379
D525,725 S	7/2006	Foo		D818,185 S	5/2018	Wilson	
D532,229 S	11/2006	Hoernig et al.		D824,716 S	8/2018	Elgamil et al.	
D552,485 S	10/2007	Grabiner et al.		D831,484 S	10/2018	Jung et al.	
D567,961 S	4/2008	Yajima		D835,265 S	12/2018	Inoue	
D578,390 S	10/2008	Green		D836,238 S	12/2018	Ericson, Jr. et al.	
D582,502 S	12/2008	Brittingham		D838,379 S	1/2019	Trump	
D583,451 S	12/2008	Aloe et al.		D840,009 S	2/2019	Suarez et al.	
D583,452 S	12/2008	Aloe et al.		D841,452 S	2/2019	Conselvan	
7,467,931 B2 *	12/2008	O'Toole	F24F 7/007 417/423.1	D844,126 S	3/2019	Sheng et al.	
D584,786 S	1/2009	Brittingham		D844,128 S	3/2019	Li	
D591,382 S	4/2009	Brittingham		D845,461 S	4/2019	Li	
D600,396 S	9/2009	Luinstra		D845,462 S	4/2019	Li	
7,785,064 B2	8/2010	Bartholmey et al.		D847,967 S	5/2019	Hernández et al.	
D625,855 S	10/2010	Franklin		D848,295 S	5/2019	Johnson et al.	
D625,856 S	10/2010	Franklin		D850,727 S	6/2019	Petrucelli	
7,849,644 B2	12/2010	Melesky		D852,143 S	6/2019	Ku	
D630,337 S	1/2011	Chia et al.		D853,017 S	7/2019	Rioux et al.	
D630,536 S	1/2011	Pettit		D861,979 S	10/2019	Sibley	
D631,148 S *	1/2011	Benton	D23/370	D862,795 S	10/2019	Caldas	
D631,579 S	1/2011	Franklin		D865,223 S	10/2019	Spork et al.	
D631,580 S	1/2011	Franklin		D865,907 S	11/2019	Wagner	
D631,581 S	1/2011	Franklin		D868,254 S	11/2019	Lintula et al.	
7,942,627 B2	5/2011	Jin		10,487,840 B2	11/2019	Avedon	
D645,561 S	9/2011	Herrmann et al.		10,487,852 B2	11/2019	Avedon	
D651,709 S	1/2012	Zeyfang		D869,275 S	12/2019	Taunk	
D651,919 S	1/2012	Lai et al.		D870,778 S	12/2019	Johnson	
D651,920 S	1/2012	Lai et al.		D871,535 S	12/2019	Ferrer	
D661,902 S	6/2012	Italiano		D872,911 S	1/2020	Chen	
8,215,789 B2	7/2012	Howard		D877,917 S	3/2020	Schill	
D676,877 S	2/2013	Drenth et al.		D880,098 S	3/2020	Harrison et al.	
D678,791 S	3/2013	Ford		D881,374 S	4/2020	Schoettle	
8,535,128 B2	9/2013	Chwala		D885,550 S	5/2020	Avedon	
D702,887 S	4/2014	Peiruccelli		10,641,506 B2	5/2020	Avedon	
D703,579 S	4/2014	Kuster et al.		10,655,841 B2	5/2020	Avedon	
D709,643 S	7/2014	Kohler et al.		D886,275 S *	6/2020	Avedon	D23/385
D711,843 S	8/2014	Yamazaki et al.		D887,541 S	6/2020	Avedon	
D721,645 S	1/2015	Brown		10,724,542 B2	7/2020	Avedon	
D722,486 S	2/2015	Wang		D895,784 S *	9/2020	Wang	D23/385
D724,199 S	3/2015	Bambot et al.		11,053,948 B2	7/2021	Avedon	
D725,053 S	3/2015	Kaneko et al.		D926,963 S	8/2021	Avedon	
D725,055 S	3/2015	Yamazaki et al.		11,092,330 B2	8/2021	Avedon	
D730,185 S	5/2015	Blanco et al.		11,105,341 B2 *	8/2021	Avedon	F04D 29/646
D731,030 S	6/2015	Tyler		11,221,153 B2	1/2022	Avedon	
D739,223 S	9/2015	Paik et al.		11,236,766 B2	2/2022	Avedon	
D739,832 S	9/2015	Yamazaki et al.		D953,517 S *	5/2022	Belozerova	D23/385
D740,973 S	10/2015	Gonzalez		11,365,743 B2	6/2022	Avedon	
9,151,295 B2 *	10/2015	Avedon	F04D 29/083	11,421,710 B2	8/2022	Avedon	
D742,508 S	11/2015	Row et al.		2003/0026691 A1	2/2003	Huang et al.	
D742,563 S	11/2015	Kasha		2005/0202776 A1 *	9/2005	Avedon	F24F 7/007 454/230
D746,416 S	12/2015	Barlar		2006/0146542 A1	7/2006	Sullivan	
D752,339 S	3/2016	Hoover		2010/0266400 A1 *	10/2010	Avedon	F04D 29/544 29/889.3
D753,817 S	4/2016	Maguire et al.		2012/0060453 A1	3/2012	Holzmann et al.	
D753,818 S	4/2016	Maguire et al.		2012/0195749 A1 *	8/2012	Avedon	F04D 29/329 415/211.2
D756,494 S	5/2016	Gledhill et al.		2013/0011254 A1 *	1/2013	Avedon	F04D 29/083 415/221
9,335,061 B2 *	5/2016	Avedon	F04D 25/08	2013/0023195 A1 *	1/2013	Avedon	F24F 13/06 454/248
D760,384 S	6/2016	Niunoya et al.		2013/0027950 A1 *	1/2013	Avedon	F04D 29/325 362/368
D761,419 S	7/2016	Fitzgerald et al.		2015/0021013 A1	1/2015	Batarseh	
D766,098 S	9/2016	Seo		2015/0176834 A1 *	6/2015	Avedon	F21V 29/83 415/121.3
D766,100 S	9/2016	Jung		2015/0354578 A1 *	12/2015	Avedon	F04D 13/06 415/222
9,459,020 B2 *	10/2016	Avedon	F24F 13/065	2016/0107200 A1	4/2016	Al-Shafei et al.	
D772,531 S	11/2016	Troia		2016/0146222 A1 *	5/2016	Avedon	F04D 29/646 415/220
D774,689 S	12/2016	Terumichi		2017/0370363 A1 *	12/2017	Avedon	F04D 25/088
D777,311 S	1/2017	Chen		2020/0333027 A1 *	10/2020	Avedon	F04F 5/16
9,631,627 B2 *	4/2017	Avedon	F04D 25/088	2021/0007449 A1 *	1/2021	Udagawa	A47B 37/04
D788,953 S	6/2017	Khan		2021/0040960 A1	2/2021	Shih et al.	
9,702,576 B2 *	7/2017	Avedon	F24F 13/06	2021/0277914 A1 *	9/2021	Lu	F04D 17/06
D794,198 S	8/2017	Mizumura et al.					
D794,199 S	8/2017	Mizumura et al.					
D799,014 S	10/2017	Suarez et al.					
D799,675 S	10/2017	Wong					
D800,174 S	10/2017	Ghalsasi et al.					
D801,545 S	10/2017	Wiesli et al.					

(56)

References Cited

U.S. PATENT DOCUMENTS

2021/0396248 A1* 12/2021 Gao F04D 29/663
2022/0120469 A1* 4/2022 Doat F04D 19/002
2022/0220975 A1 7/2022 Avedon

* cited by examiner

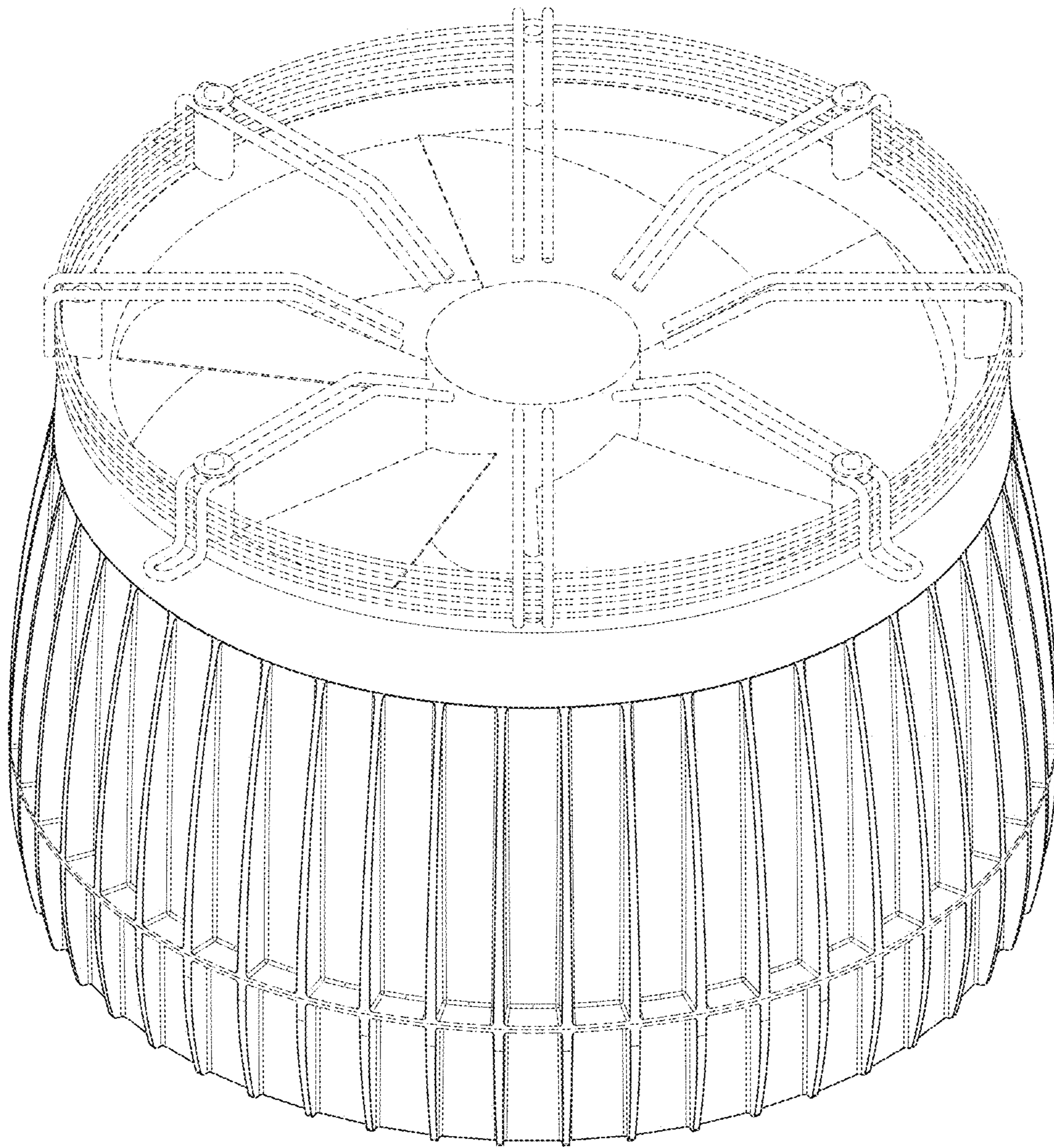


FIG. 1

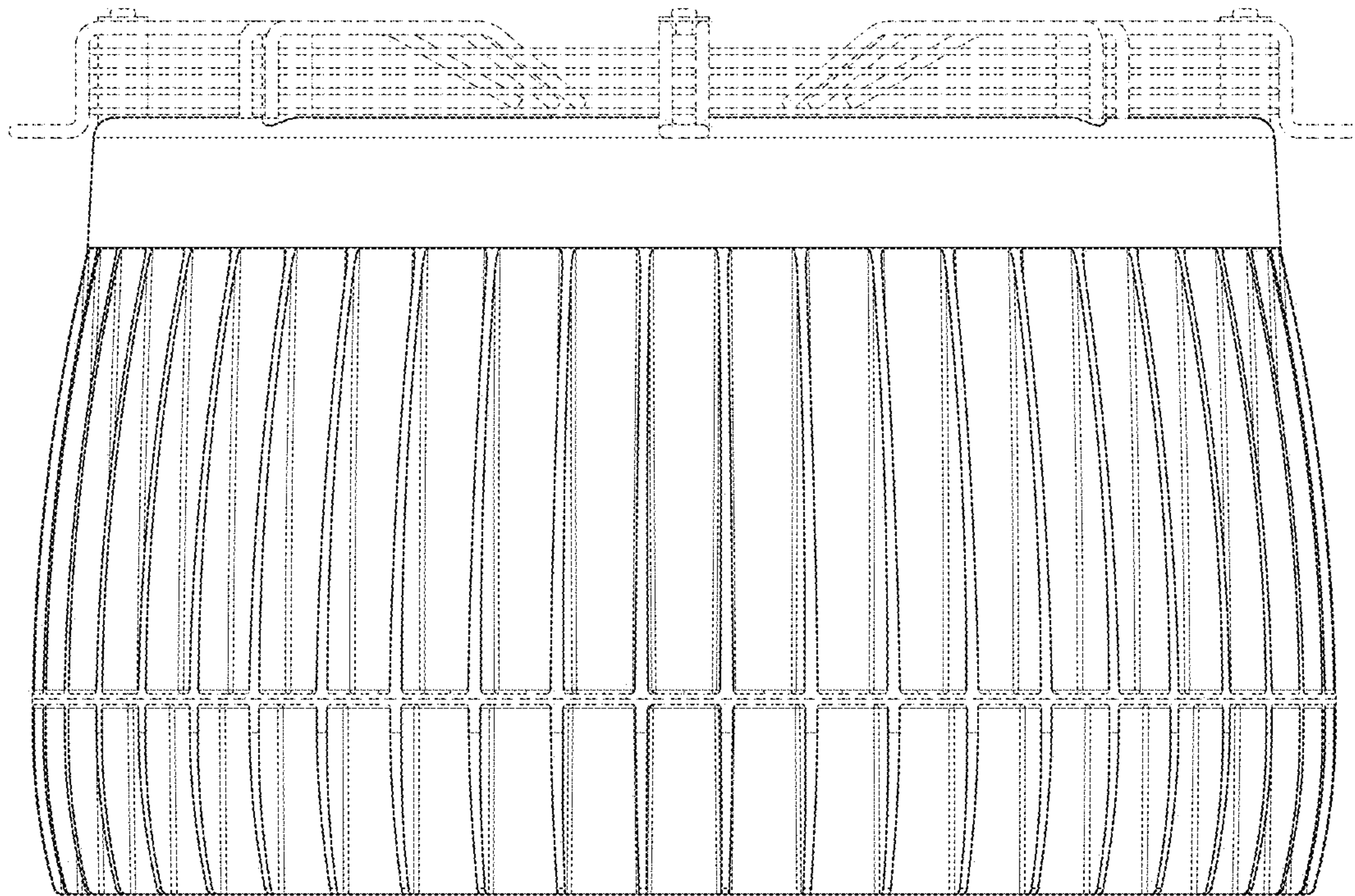


FIG. 2

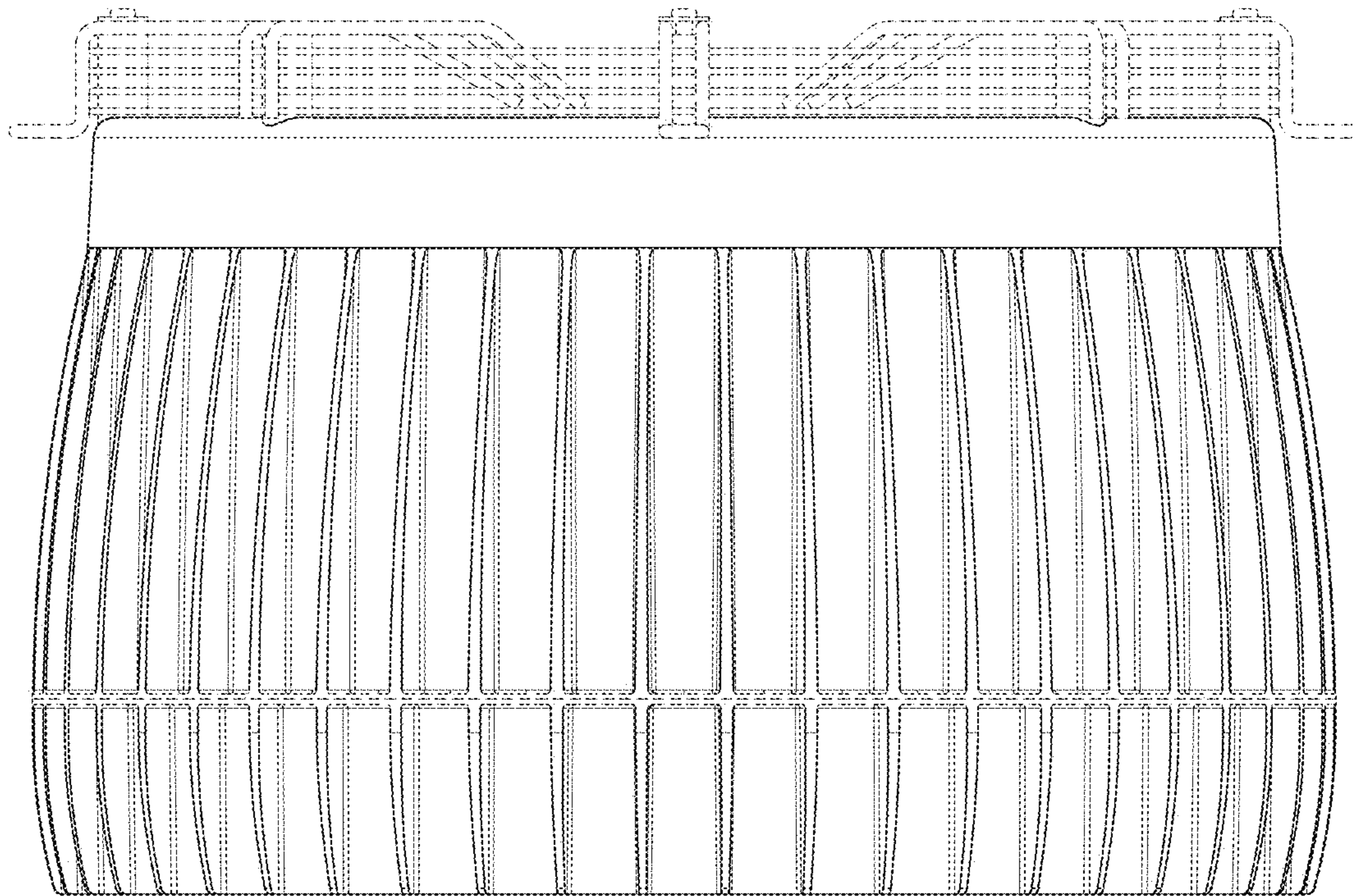


FIG. 3

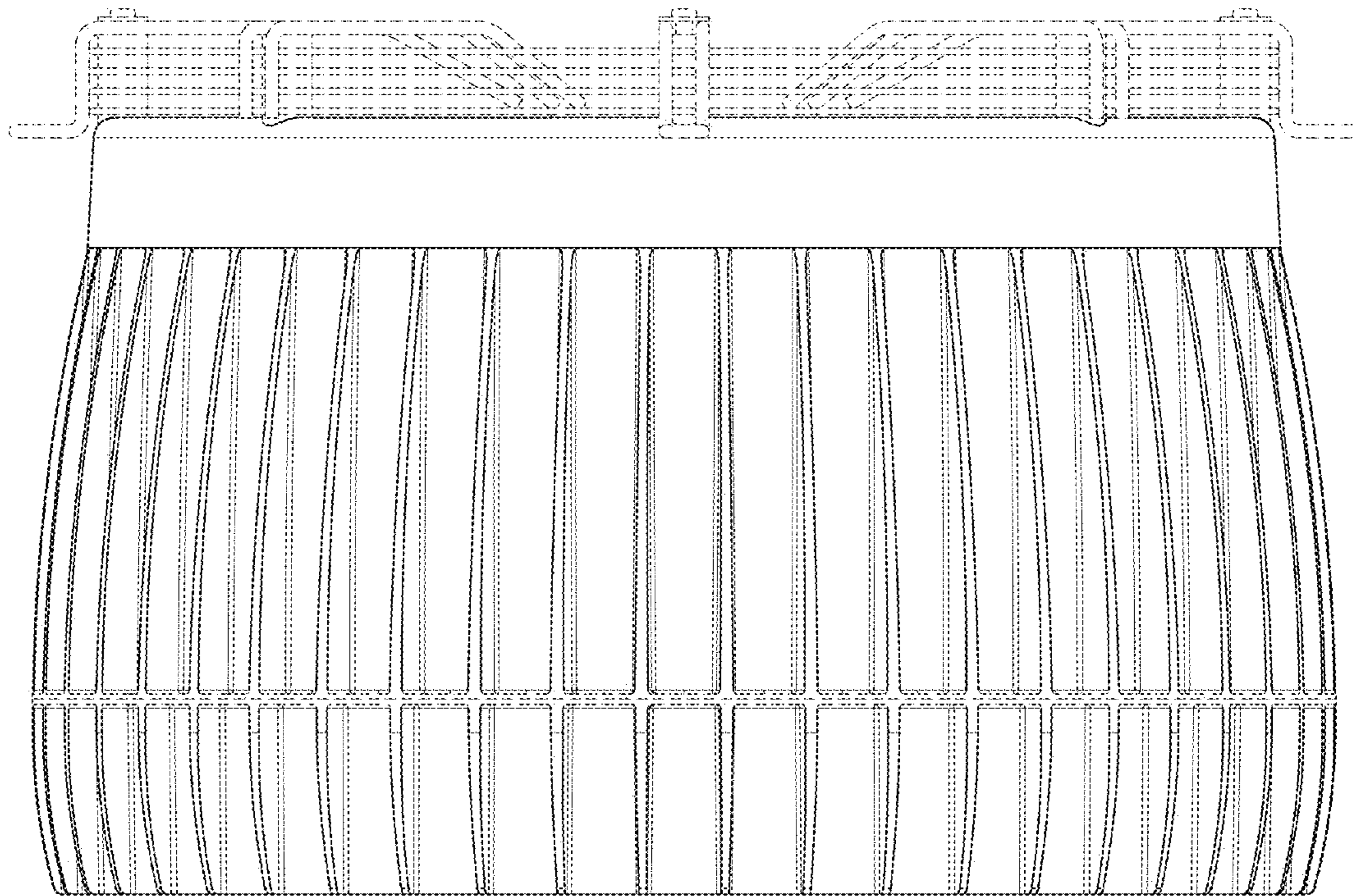


FIG. 4

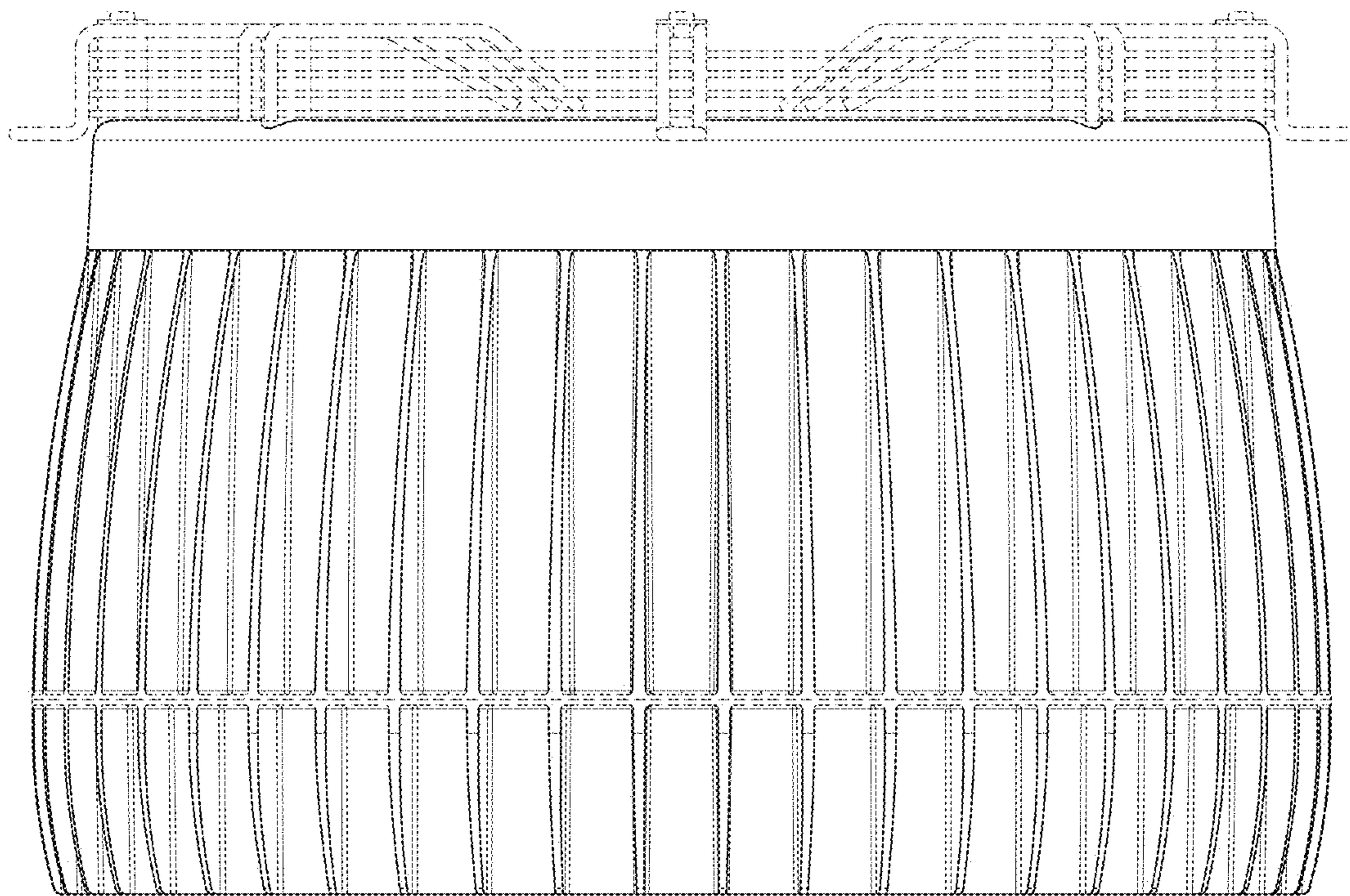


FIG. 5

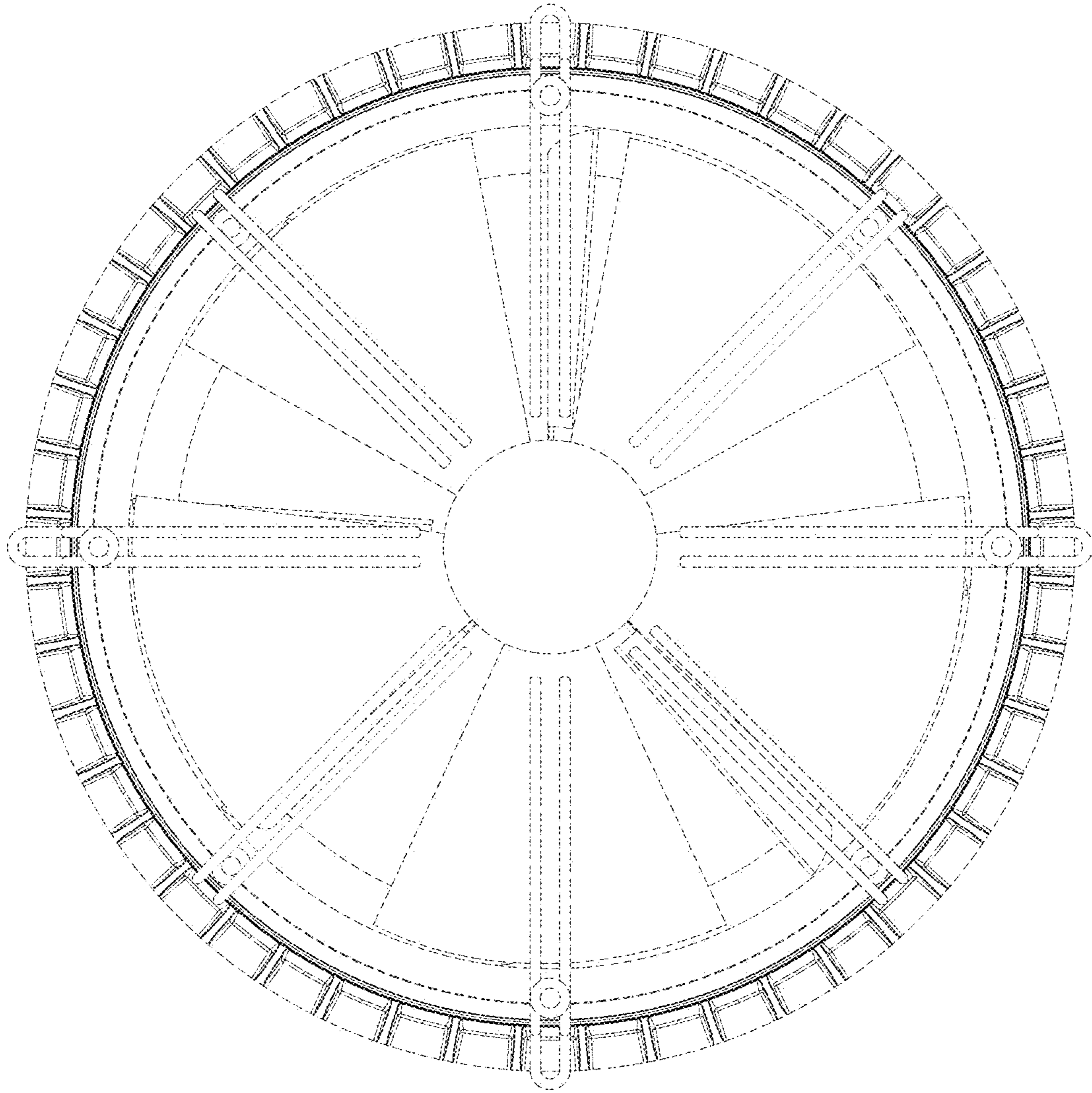


FIG. 6

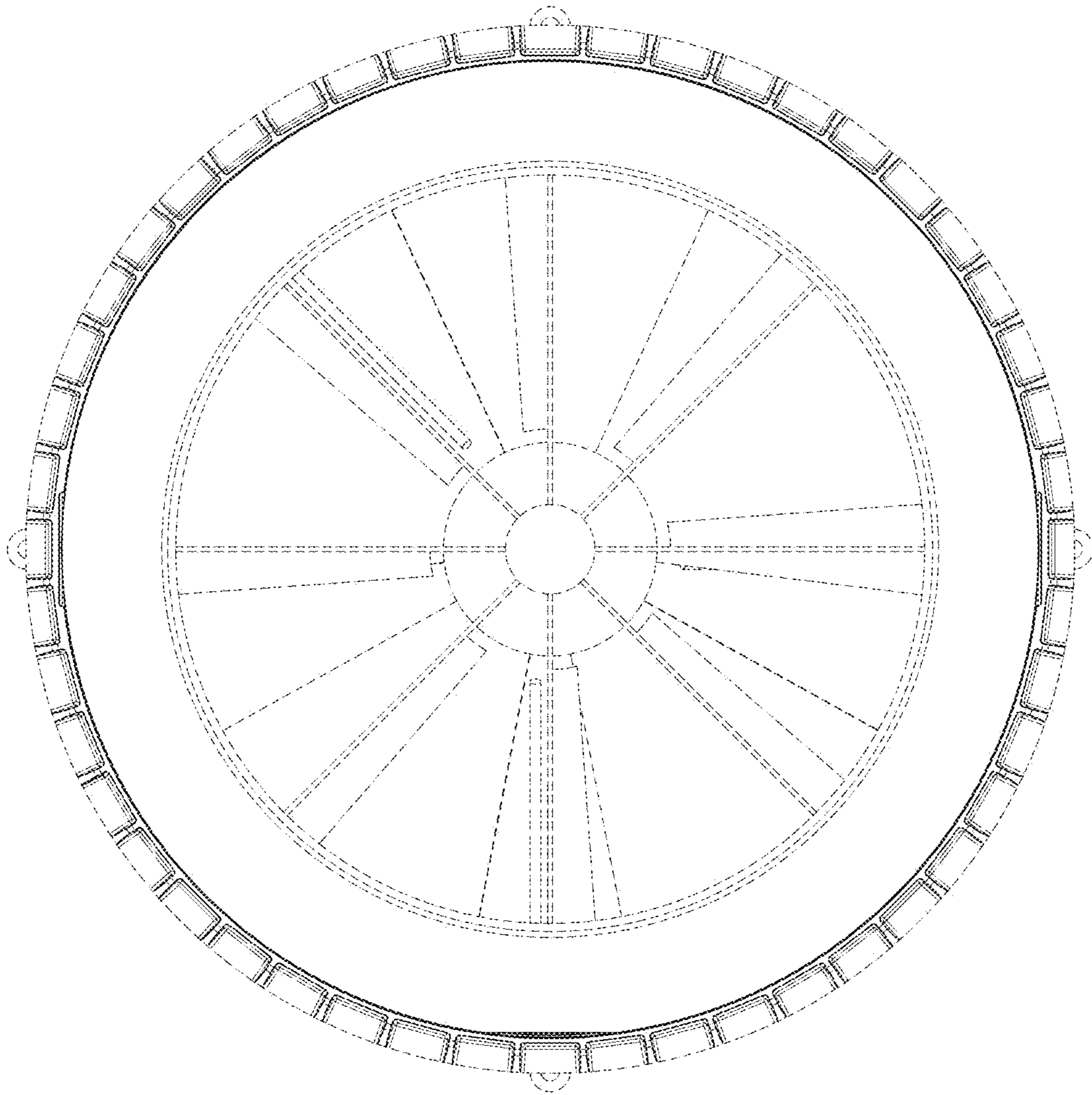


FIG. 7