



US00D987053S

(12) **United States Design Patent**
Lee et al.

(10) **Patent No.:** **US D987,053 S**
(45) **Date of Patent:** **** May 23, 2023**

(54) **CASE OF AIR FRESHENER FOR A CAR**

(71) Applicants: **Seung Yong Lee**, Yongin-si (KR); **Yang Seob Kim**, Incheon (KR); **GIL Co., Ltd.**, Seoul (KR)

(72) Inventors: **Seung Yong Lee**, Yongin-si (KR); **Ji Sun Hwang**, Seoul (KR)

(73) Assignees: **GIL Co., Ltd.**, Seoul (KR); **Seung Yong Lee**, Yongin-si (KR); **Yang Seob Kim**, Incheon (KR)

(**) Term: **15 Years**

(21) Appl. No.: **29/752,967**

(22) Filed: **Sep. 29, 2020**

(30) **Foreign Application Priority Data**

Apr. 22, 2020 (KR) 30-2020-0017828

(51) **LOC (14) Cl.** **23-04**

(52) **U.S. Cl.**
USPC **D23/367**; D23/366; D23/368

(58) **Field of Classification Search**
USPC D1/107; D7/506; D9/601, 602, 603, D9/609, 625; D15/90, 135, 136; D23/332, 333, 355-369; D21/496, 584, D21/596, 606, 611, 628; D26/26, 98, D26/101, 126, 127; D6/518; D14/358
CPC A61L 9/03; A61L 9/04; A61L 9/05; A61L 9/12; A61L 9/14; A61L 9/012; A61L 9/015; A61L 9/048; A61L 9/127
See application file for complete search history.

(56) **References Cited**

U.S. PATENT DOCUMENTS

D199,418 S * 10/1964 Katz D9/609
D474,534 S * 5/2003 Choke-arpornchai D23/366

D521,780 S * 5/2006 Edwards D6/518
D522,287 S * 6/2006 Edwards D6/518
D522,288 S * 6/2006 Edwards D6/518
D522,783 S * 6/2006 Edwards D6/518
D523,671 S * 6/2006 Edwards D6/518
D791,768 S * 7/2017 Billard D14/358
D852,346 S * 6/2019 Park D23/366
D853,546 S * 7/2019 LeBlanc D23/366
D898,176 S * 10/2020 Yau D23/364
D904,593 S * 12/2020 Liu D23/364
2017/0128608 A1 * 5/2017 Hsiao A61L 9/12
2020/0046868 A1 * 2/2020 Meng A61L 9/14

* cited by examiner

Primary Examiner — Gino Colan

Assistant Examiner — David OBrien

(74) *Attorney, Agent, or Firm* — Quantum Patent Law Firm; Seongyoune Kang

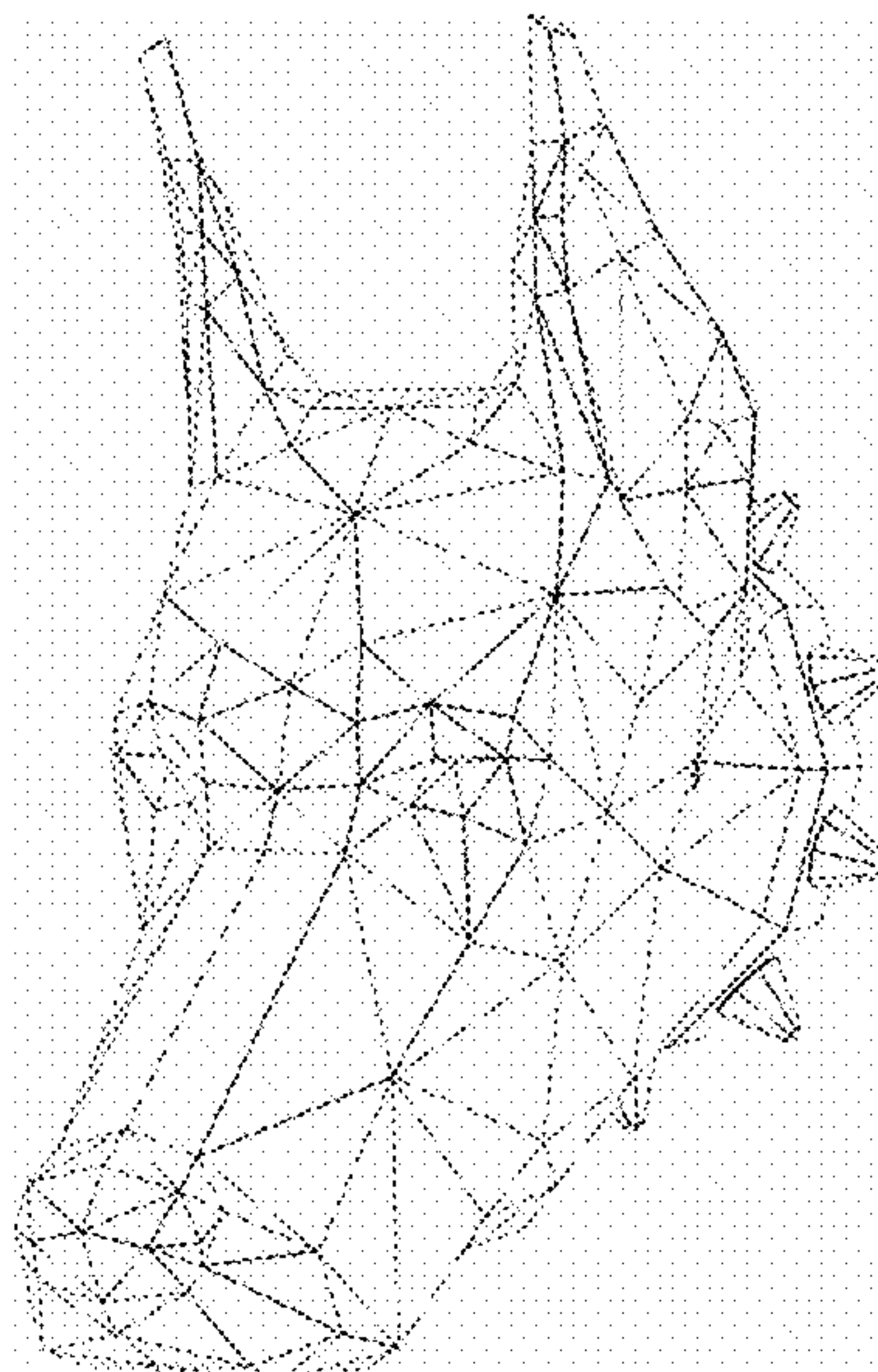
(57) **CLAIM**

The ornamental design for a case of air freshener for a car, as shown and described.

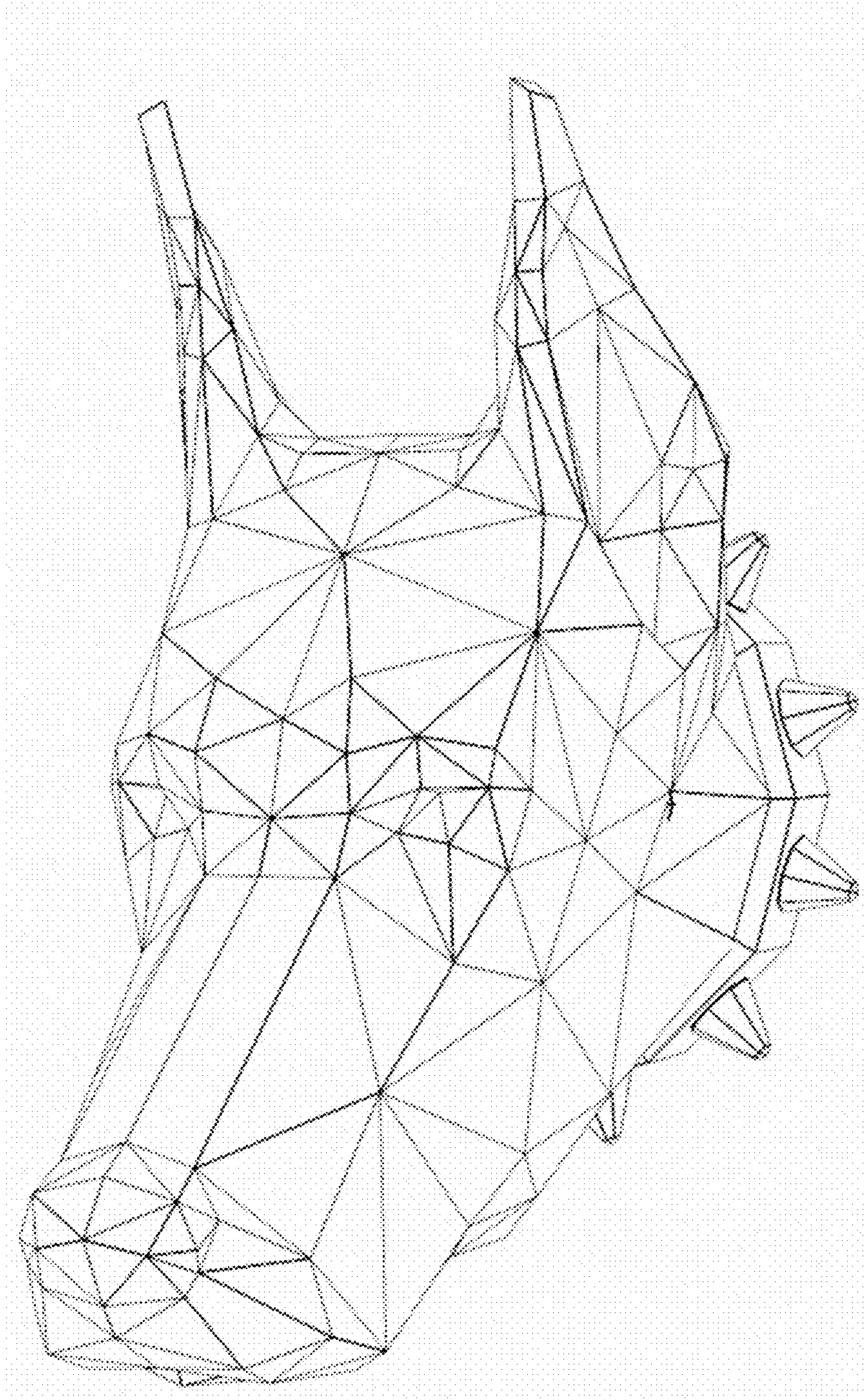
DESCRIPTION

FIG. 1 is a top, front and right side perspective view of a case of air freshener for a car;
FIG. 2 is a front elevational view thereof;
FIG. 3 is a back elevational view thereof;
FIG. 4 is a left side elevational view thereof;
FIG. 5 is a right side elevational view thereof;
FIG. 6 is a top plan view thereof; and,
FIG. 7 is a bottom plan view thereof.
The broken lines, if any in the figures, depict portions of the case of air freshener for a car that form no part of the claimed design.

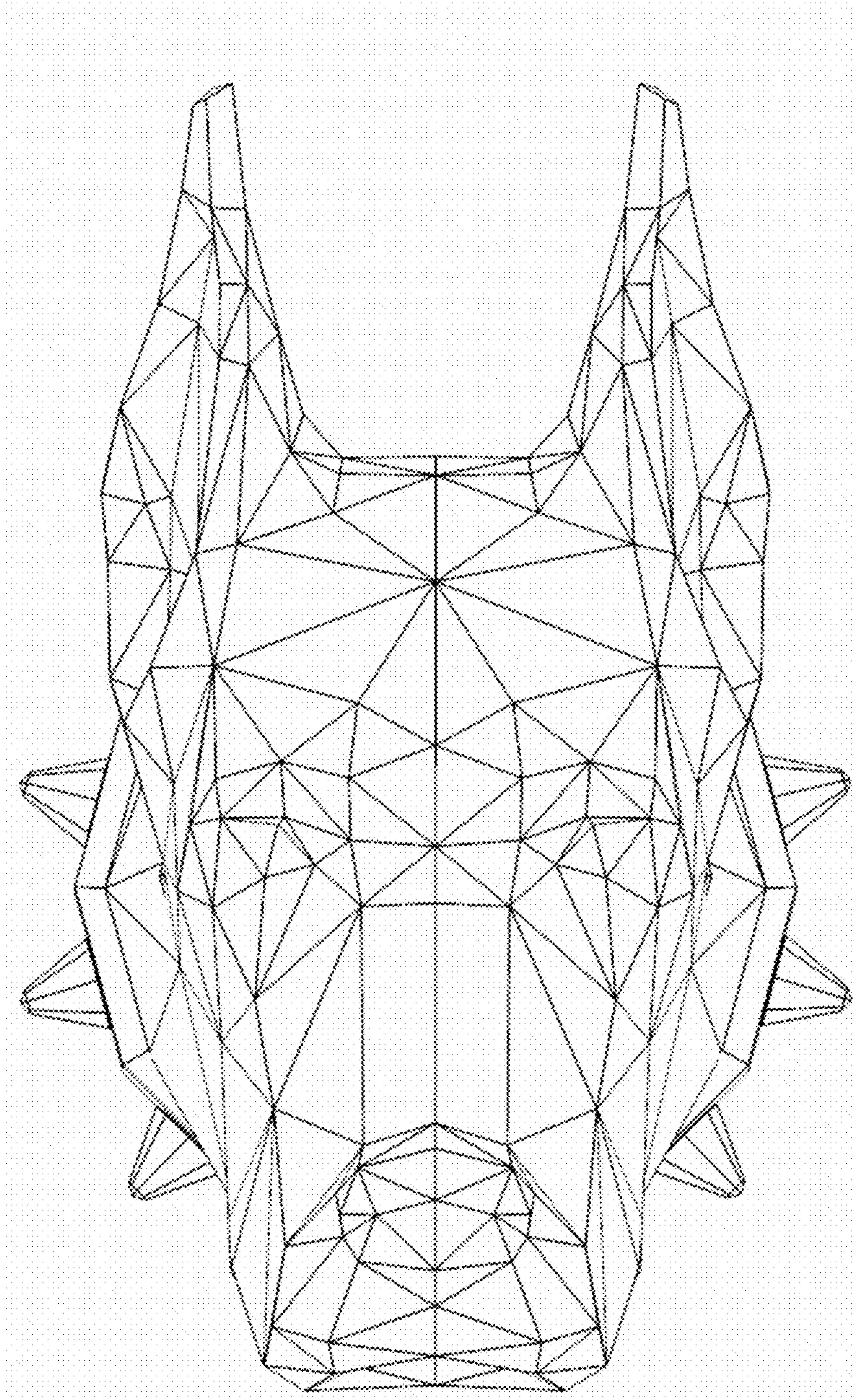
1 Claim, 7 Drawing Sheets



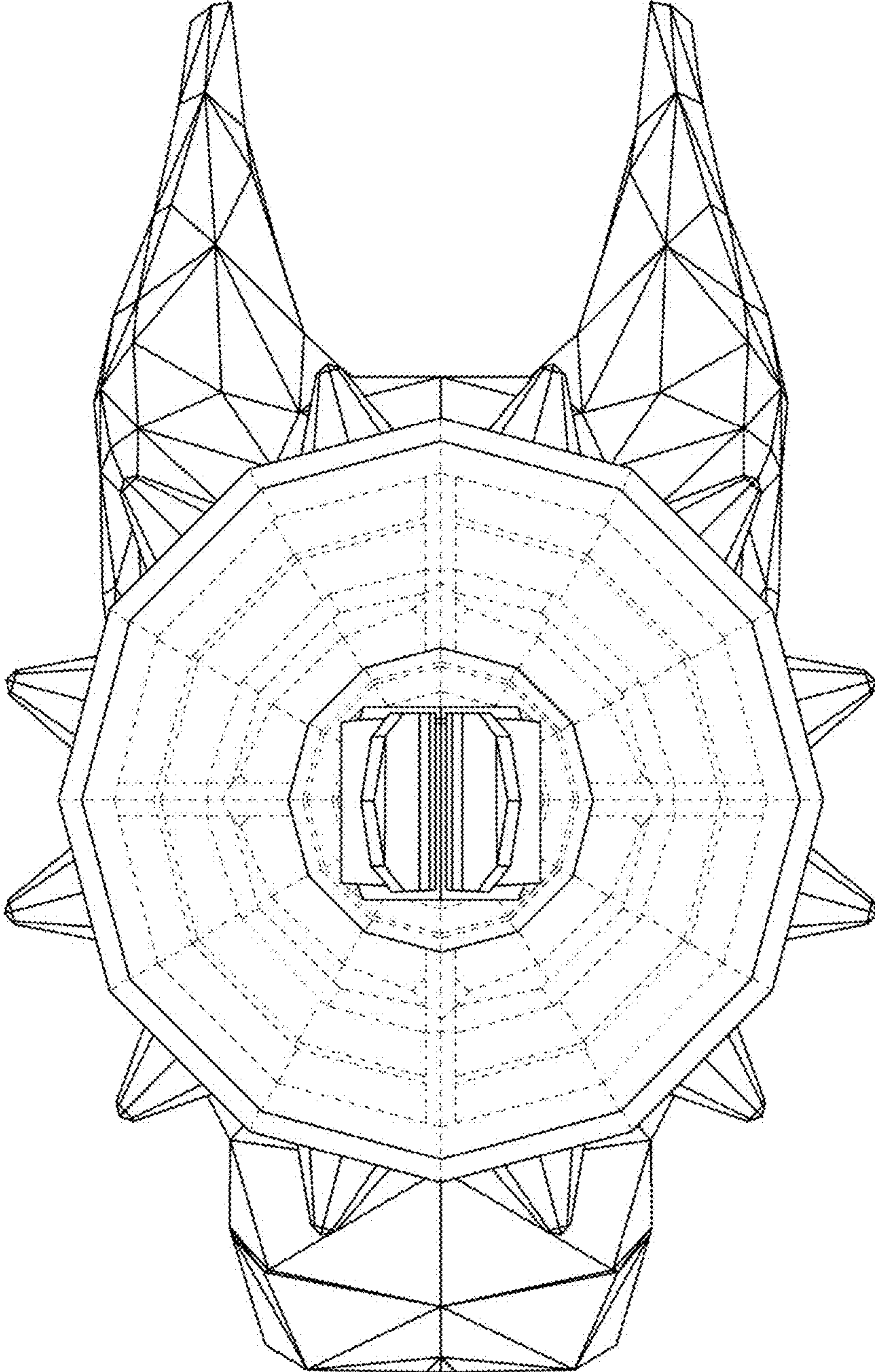
【Fig. 1】



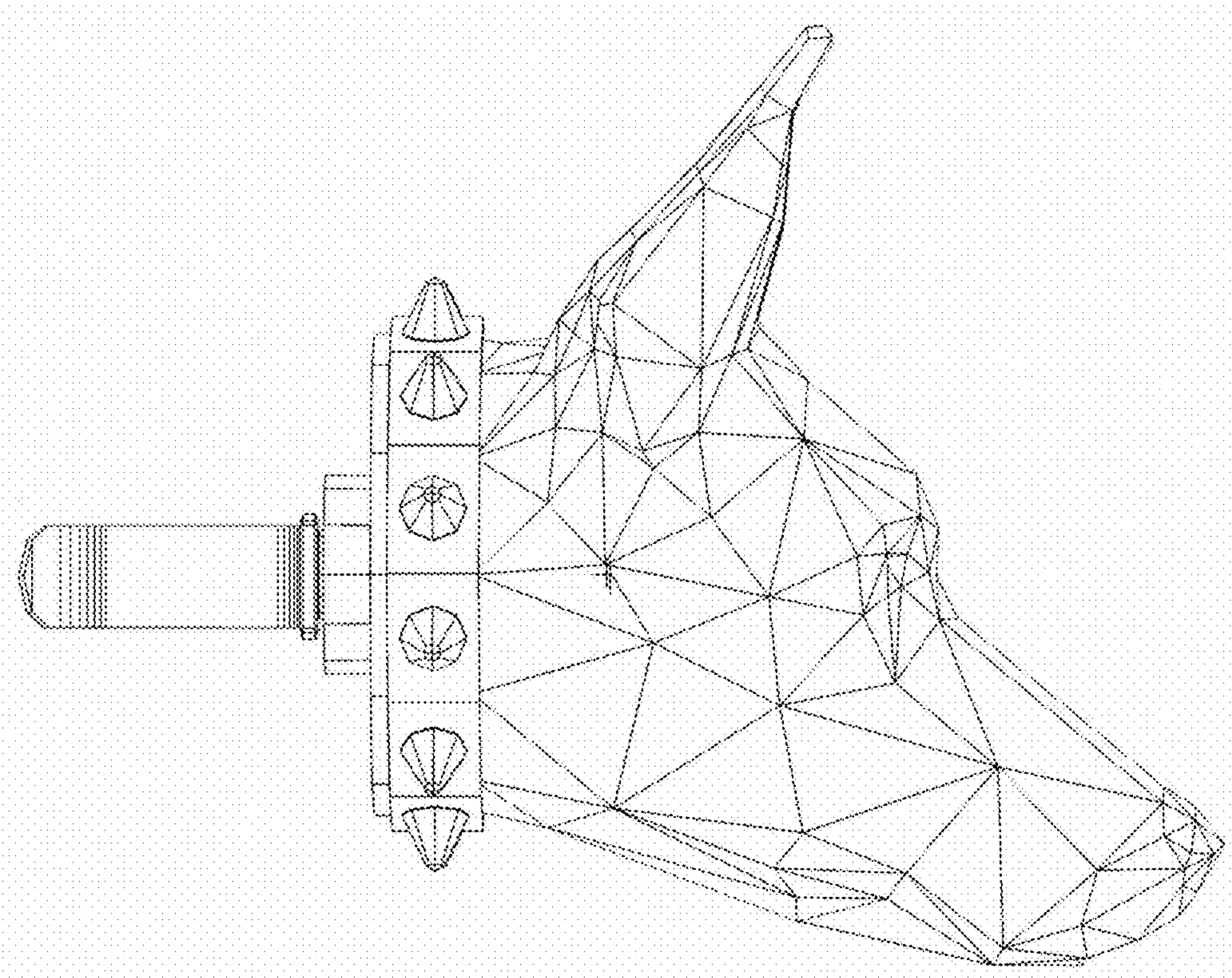
【Fig. 2】



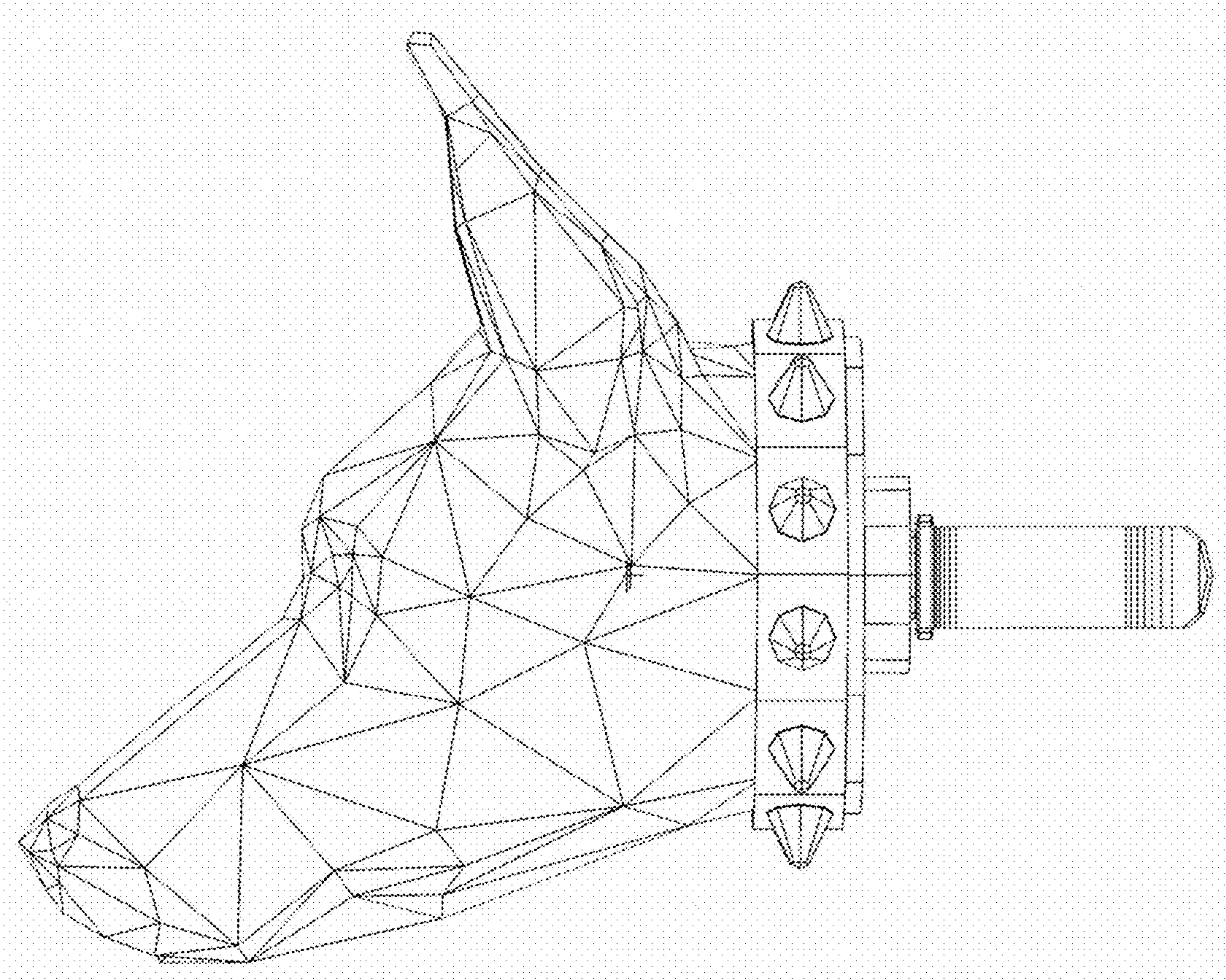
[Fig. 3]



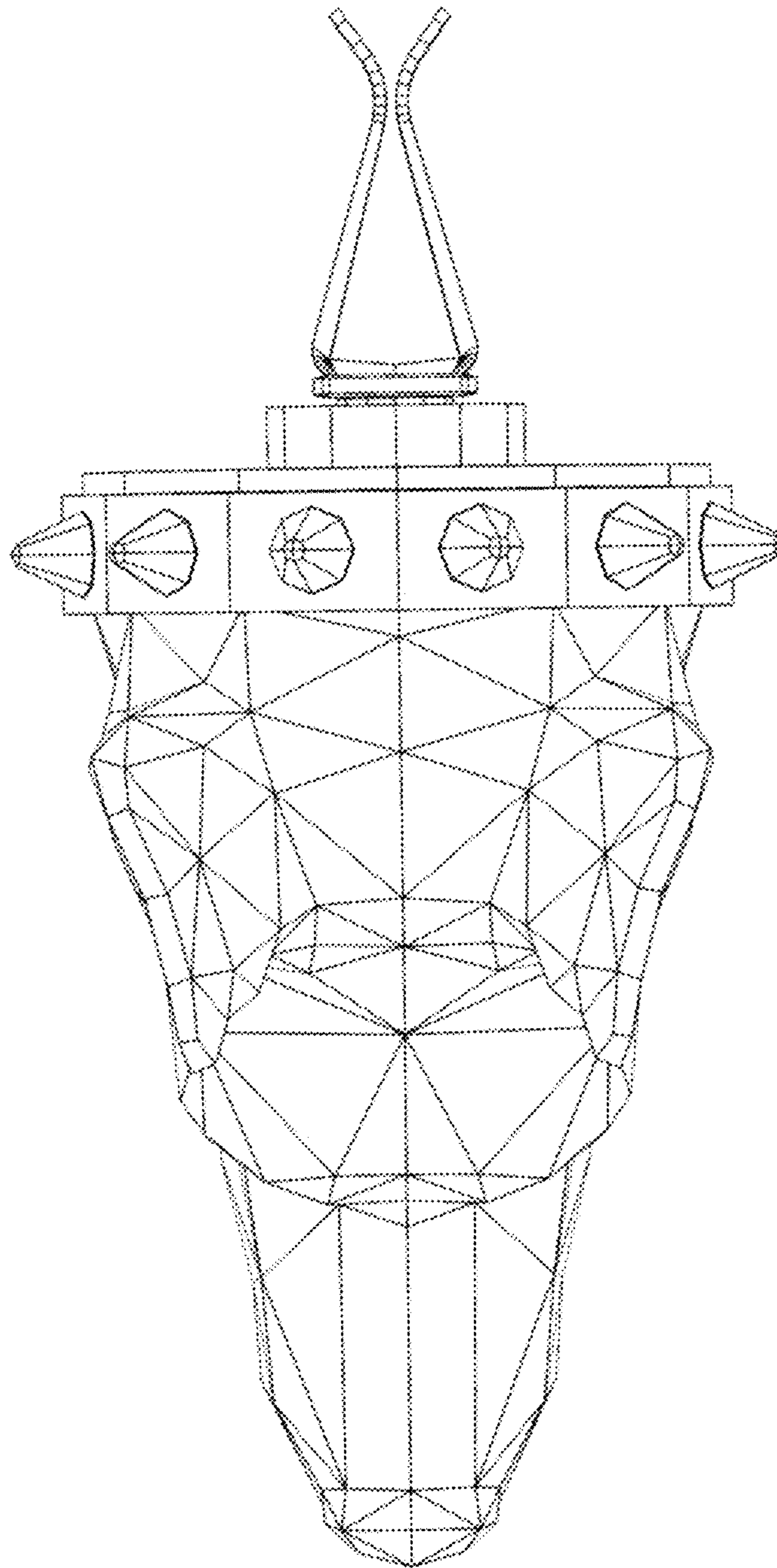
【Fig. 4】



【Fig. 5】



【Fig. 6】



【Fig. 7】

