



US00D987051S

(12) **United States Design Patent** (10) **Patent No.:** **US D987,051 S**  
**Spomer et al.** (45) **Date of Patent:** **\*\* May 23, 2023**

(54) **AIR CLEANER**

(56) **References Cited**

(71) Applicant: **Hilti Aktiengesellschaft**, Schaan (LI)

U.S. PATENT DOCUMENTS

(72) Inventors: **Andreas Spomer**, Munich (DE);  
**Tobias Königler**, Bregenz (AT);  
**Alexander Toszegi**, Leutenbach (DE);  
**Ulrich Roessler**, Winnenden (DE)

D417,492 S *	12/1999	Willey .....	D23/339
D445,116 S *	7/2001	Evans .....	D15/79
D508,735 S *	8/2005	Klein .....	D23/359
D577,426 S *	9/2008	Huang .....	D23/360
D634,414 S *	3/2011	Wolfe .....	D23/359
D678,494 S *	3/2013	Wolfe .....	D23/359
D769,432 S *	10/2016	Dingle .....	D23/359
D854,588 S *	7/2019	Black .....	D15/81
D861,146 S *	9/2019	Dingle .....	D23/359
D866,738 S *	11/2019	Cui .....	D23/359
D922,556 S *	6/2021	Stearns .....	D23/359
D945,584 S *	3/2022	Li .....	D23/359

(73) Assignee: **Hilti Aktiengesellschaft**, Schaan (LI)

(\*\*) Term: **15 Years**

(21) Appl. No.: **35/512,757**

\* cited by examiner

(22) Filed: **Apr. 13, 2021**

*Primary Examiner* — David G Muller

(80) **Hague Agreement Data**

(74) *Attorney, Agent, or Firm* — Crowell & Moring LLP

Int. Filing Date: **Apr. 13, 2021**

Int. Reg. No.: **DM/213786**

Int. Reg. Date: **Apr. 13, 2021**

Int. Reg. Pub. Date: **Oct. 15, 2021**

(57) **CLAIM**

The ornamental design for an air cleaner, as shown and described.

(30) **Foreign Application Priority Data**

**DESCRIPTION**

Oct. 14, 2020 (LI) ..... 2020-778

(51) **LOC (14) Cl.** ..... **23-04**

(52) **U.S. Cl.**  
USPC ..... **D23/364**

(58) **Field of Classification Search**  
USPC ..... D23/355–366, 352, 369, 332, 333, 335,  
D23/336, 342, 351

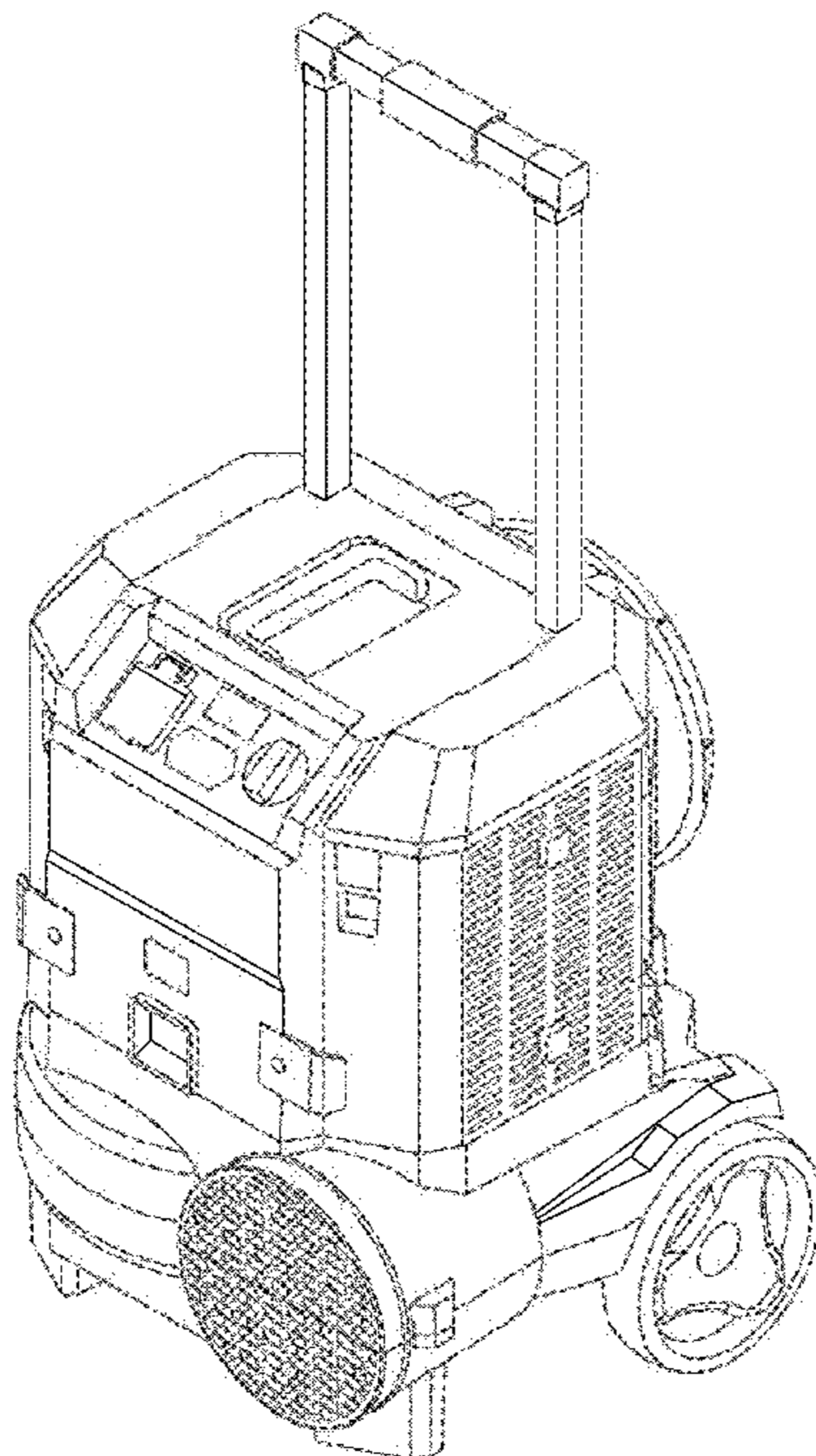
CPC .. A61L 9/16; A61L 9/22; B01D 47/00; B01D  
47/027; B01D 2221/02; B01D 2259/4508;  
B03C 3/155; B03C 3/368; F24F 3/16;  
F24F 13/20; F24F 13/28

See application file for complete search history.

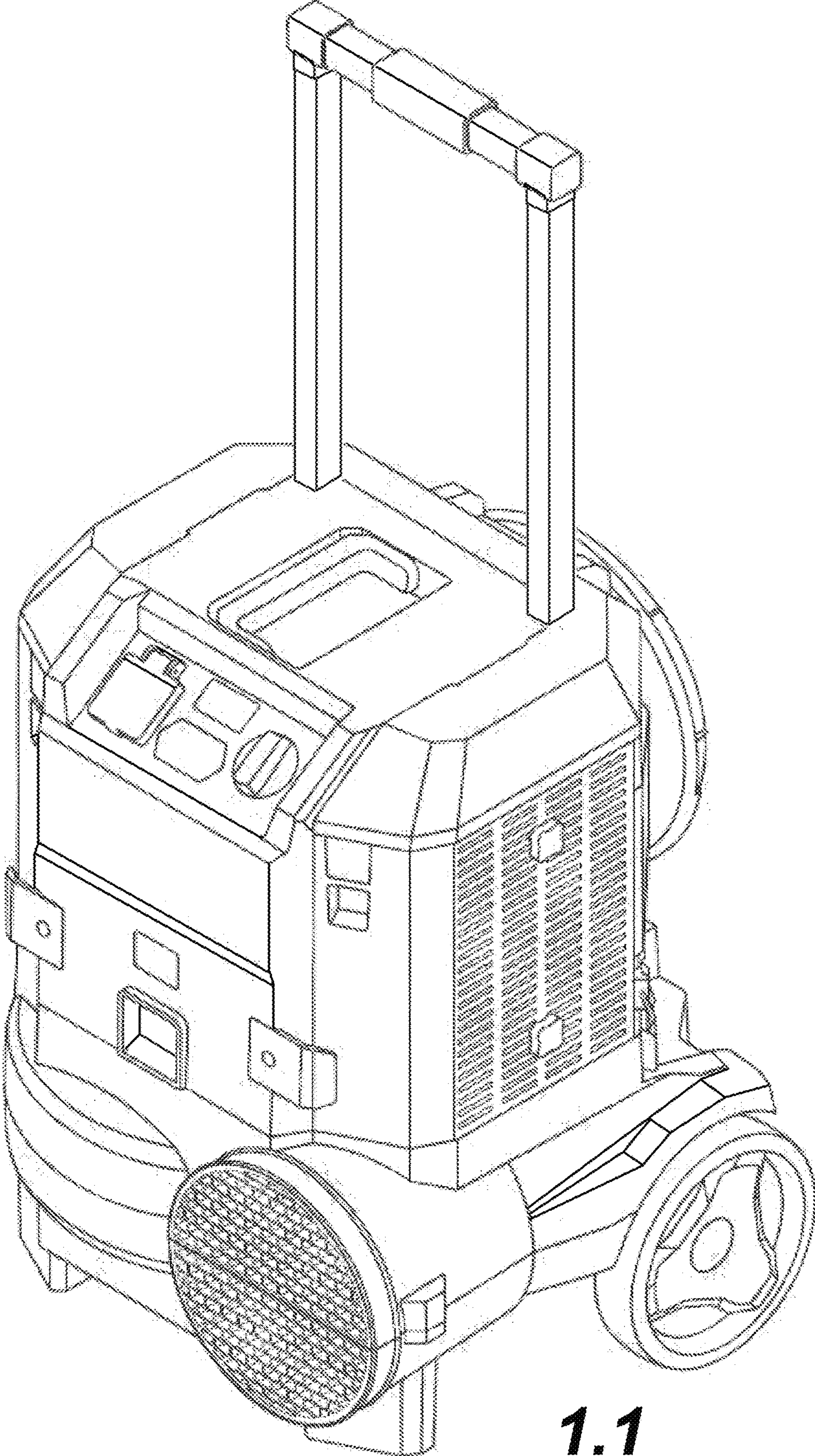
- 1. Air cleaner
- 1.1 : Perspective
- 1.2 : Front
- 1.3 : Back
- 1.4 : Left
- 1.5 : Right
- 1.6 : Top
- 1.7 : Bottom

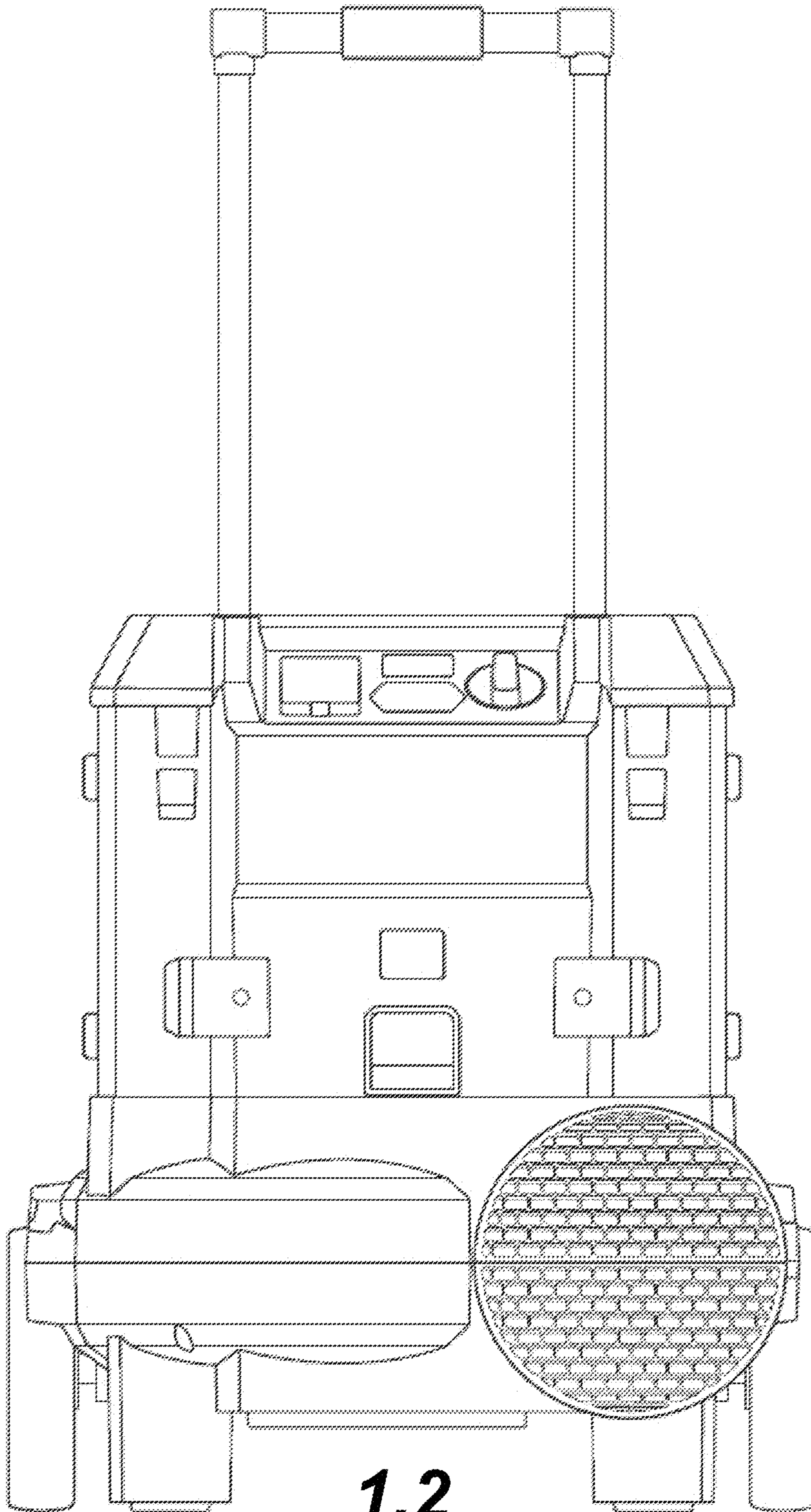
The broken lines in the drawings illustrate portions of the air cleaner that form no part of the claimed design.

**1 Claim, 7 Drawing Sheets**



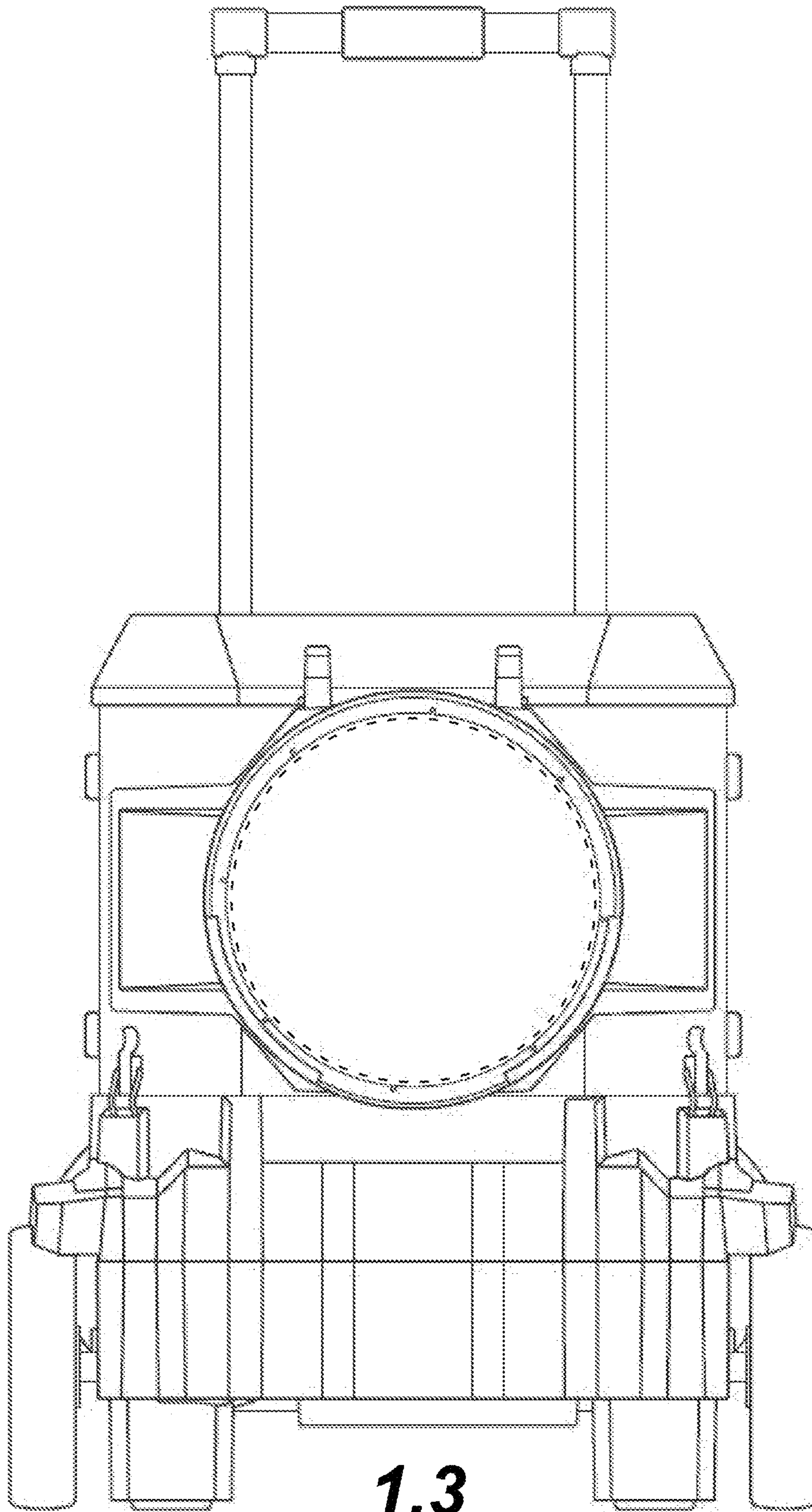


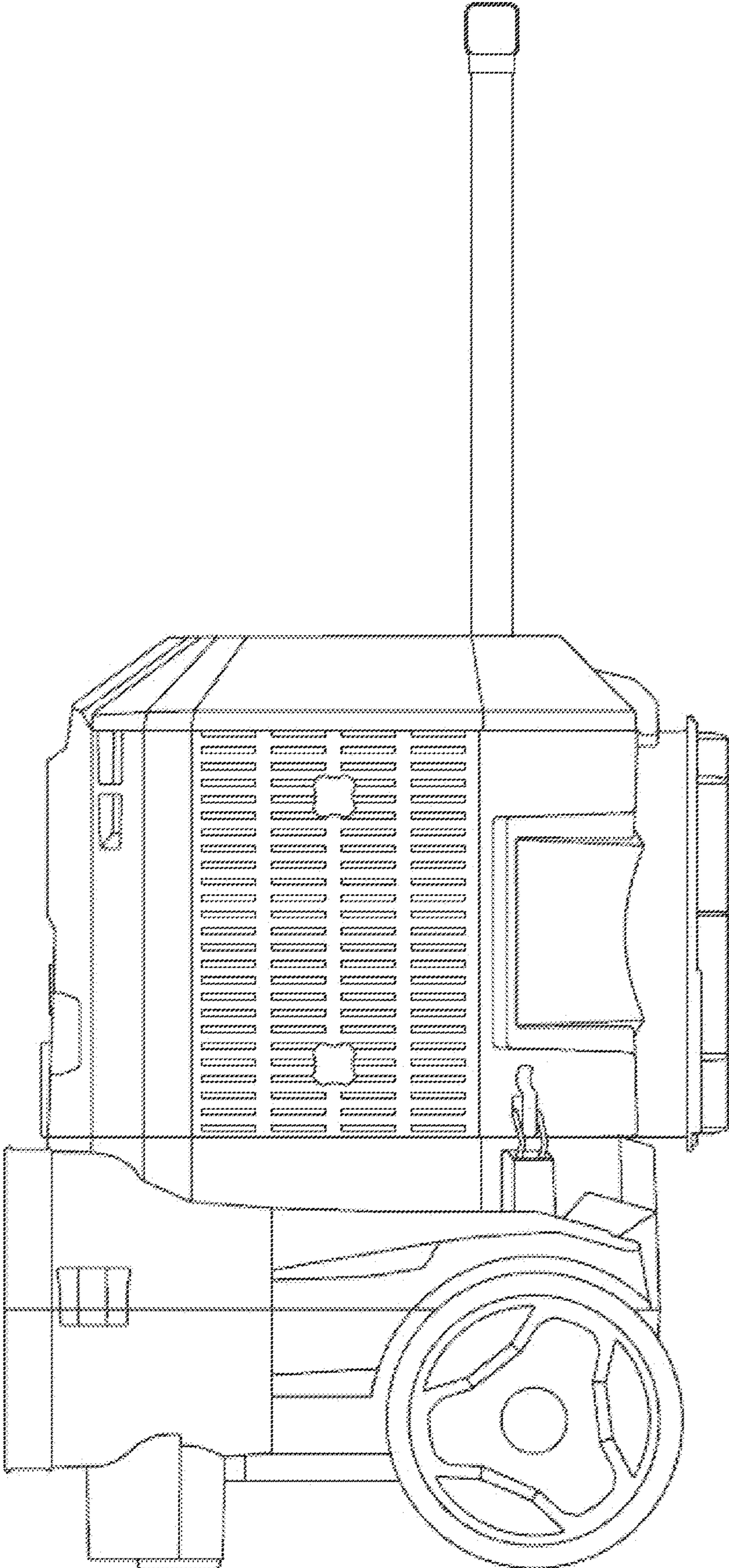




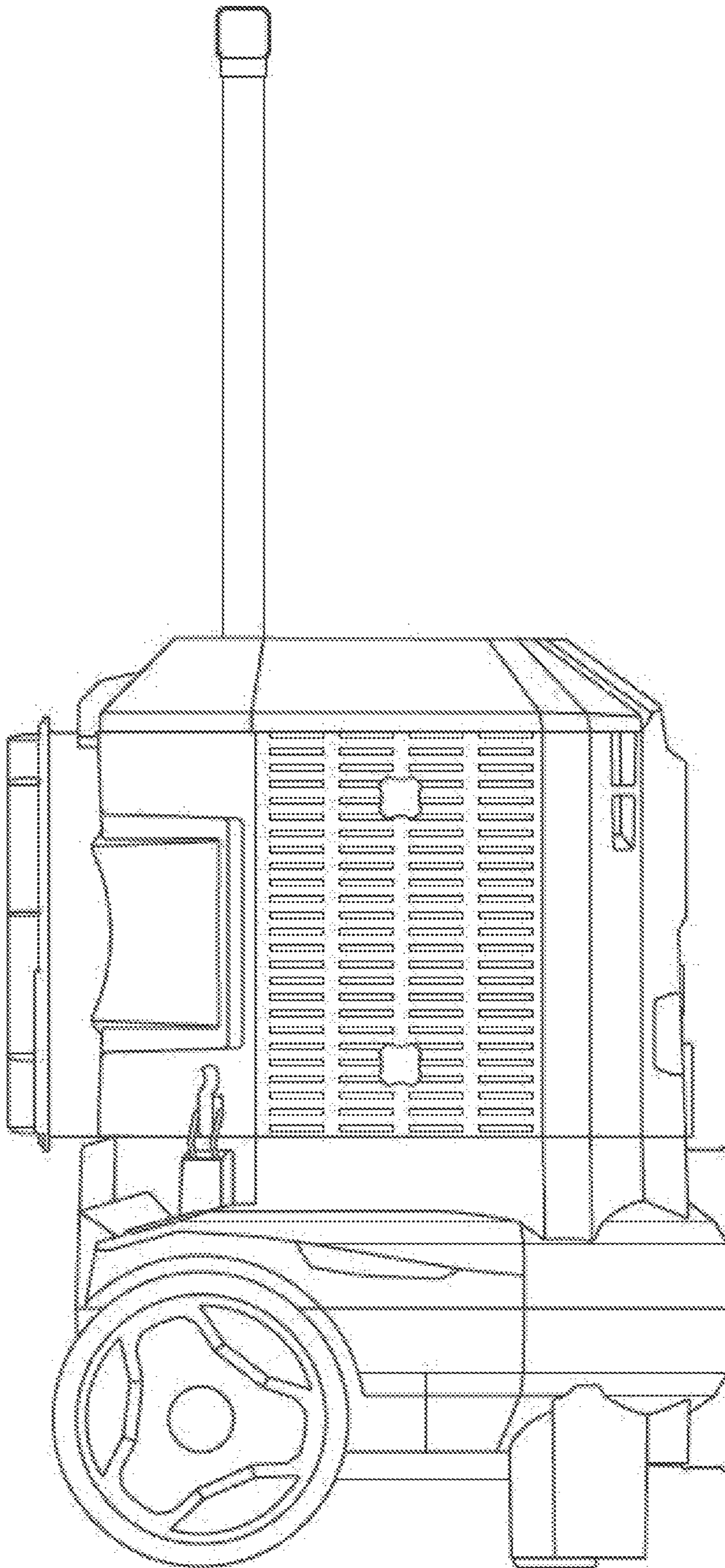
**1.2**





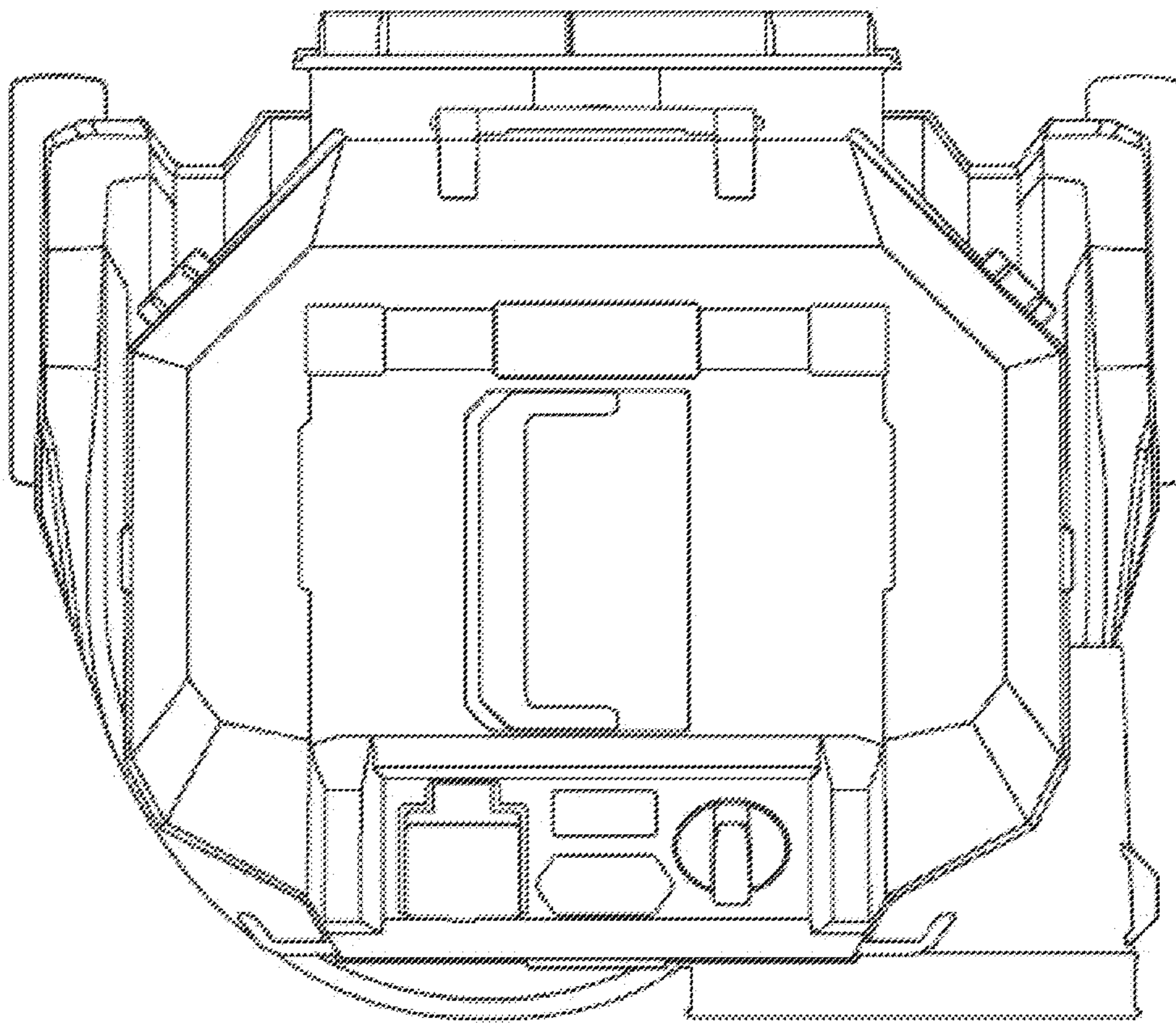


**1.4**

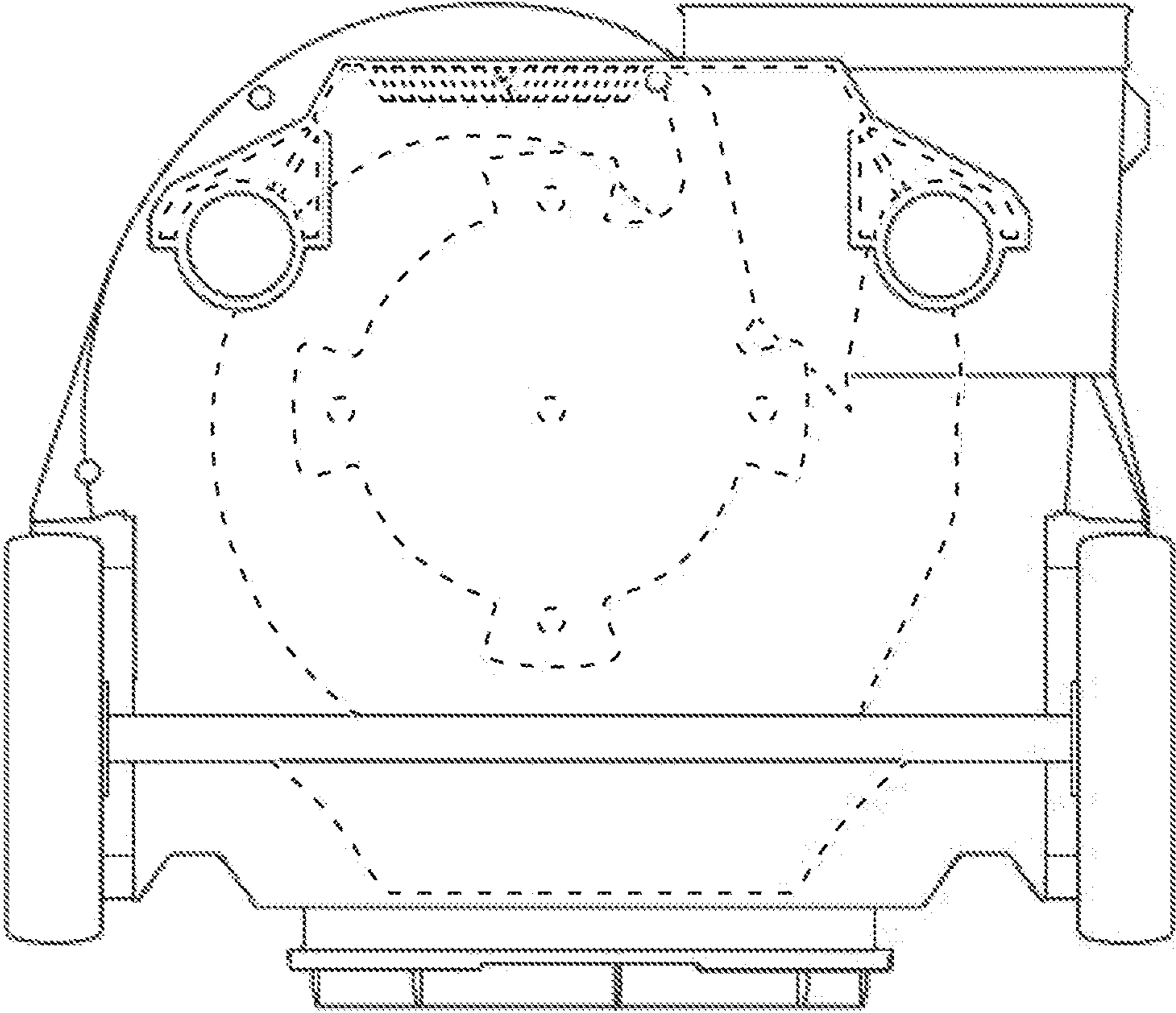


**1.5**





**1.6**



**1.7**