



US00D987050S

(12) **United States Design Patent**
Yan

(10) **Patent No.:** **US D987,050 S**

(45) **Date of Patent:** **** May 23, 2023**

(54) **AIR PURIFIER**

(71) Applicant: **Shenzhen Puremate Technology Co., Ltd.**, Shenzhen (CN)

(72) Inventor: **Yiqing Yan**, Shenzhen (CN)

(73) Assignee: **SHENZHEN PUREMATE TECHNOLOGY CO., LTD.**, Shenzhen (CN)

(**) Term: **15 Years**

(21) Appl. No.: **29/798,295**

(22) Filed: **Jul. 7, 2021**

(30) **Foreign Application Priority Data**

Jun. 24, 2021 (CN) 202130394017.0

(51) **LOC (14) Cl.** **23-04**

(52) **U.S. Cl.**
USPC **D23/364**

(58) **Field of Classification Search**
USPC D23/314, 332, 333, 335, 336, 355, 356, D23/364, 365, 366, 378
CPC F24F 1/0022; F24F 3/14; F24F 6/06; F24F 8/80; B01D 46/00281; B01D 46/0043; A61L 2209/12; A61L 2209/14
See application file for complete search history.

(56) **References Cited**

U.S. PATENT DOCUMENTS

D835,765 S *	12/2018	Chen	D23/364
D916,266 S *	4/2021	Jin	D23/366
D939,071 S *	12/2021	Seo	D23/364
D948,018 S *	4/2022	Li	D23/364
D951,418 S *	5/2022	Yan	D23/364
D953,507 S *	5/2022	Yan	D23/364
D953,509 S *	5/2022	Yan	D23/364
D954,242 S *	6/2022	Yan	D23/364
D960,339 S *	8/2022	Seo	D23/364
D961,751 S *	8/2022	Li	D23/364

D964,532 S *	9/2022	Zuo	D23/364
D972,697 S *	12/2022	Zuo	D23/364
2022/0339573 A1 *	10/2022	Seo	B01D 46/0028

FOREIGN PATENT DOCUMENTS

CN 202130867891.1 * 9/2022

OTHER PUBLICATIONS

DeedMo AP1273 Air Purifier. Catalogue [Online]. Amazon Standard ID# B09G9RMCFR. Amazon.com 2022. [Date First Available on Jan. 30, 2022][Retrieved on Feb. 6, 2023]. Retrieved from the Internet: <URL:https://www.amazon.com/DeedMo-Purifiers-Allergens-Atmosphere-Certificated/dp/B09G9RMCFR> (Year: 2022).*

* cited by examiner

Primary Examiner — Janice Hallmark

Assistant Examiner — Adedoyin Taiwo Odeyale

(74) *Attorney, Agent, or Firm* — Westbridge IP LLC

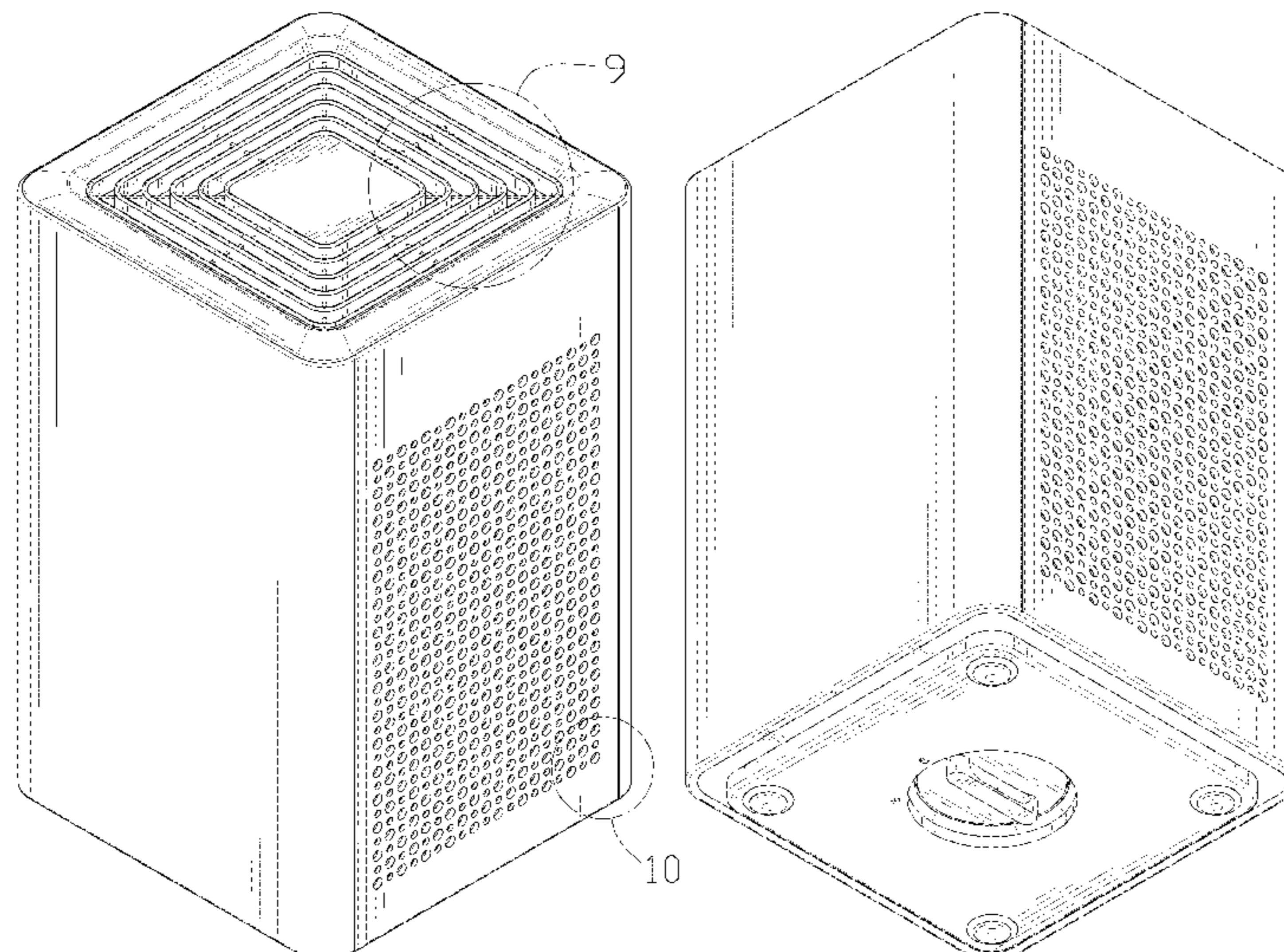
(57) **CLAIM**

The ornamental design for an air purifier, as shown and described.

DESCRIPTION

FIG. 1 is a front perspective view of an air purifier showing my new design;
FIG. 2 is a bottom perspective view thereof;
FIG. 3 is a front elevation view thereof;
FIG. 4 is a rear elevation view thereof;
FIG. 5 is a left side elevation view thereof;
FIG. 6 is a right side elevation view thereof;
FIG. 7 is a top plan view thereof;
FIG. 8 is a bottom plan view thereof;
FIG. 9 is an enlarged view of portion 9 in FIG. 1;
FIG. 10 is an enlarged view of portion 10 in FIG. 1; and,
FIG. 11 is an enlarged view of portion 11 in FIG. 7.
The evenly broken lines in the drawings illustrate portions of the air purifier that form no part of the claim.

1 Claim, 11 Drawing Sheets



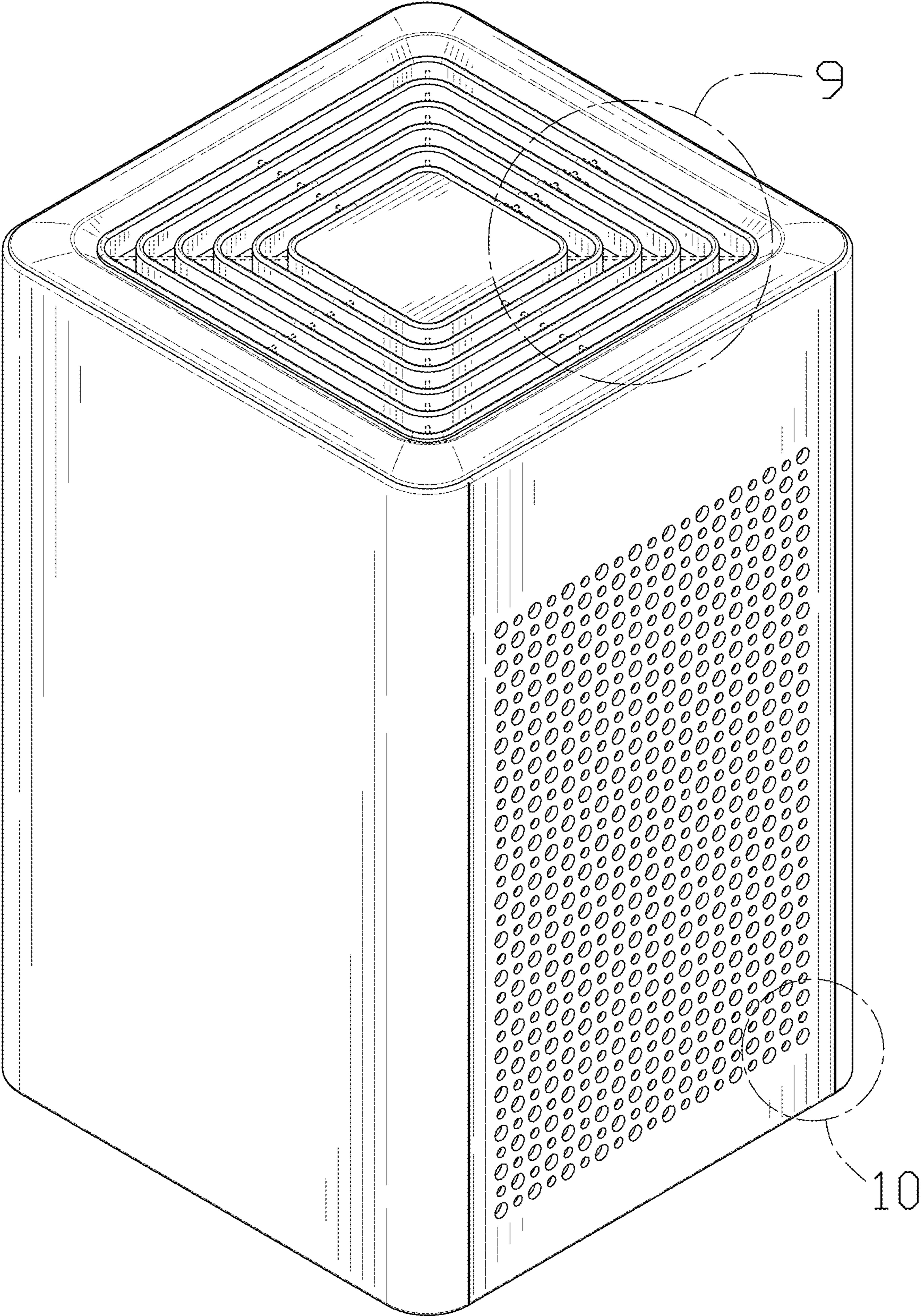


FIG. 1

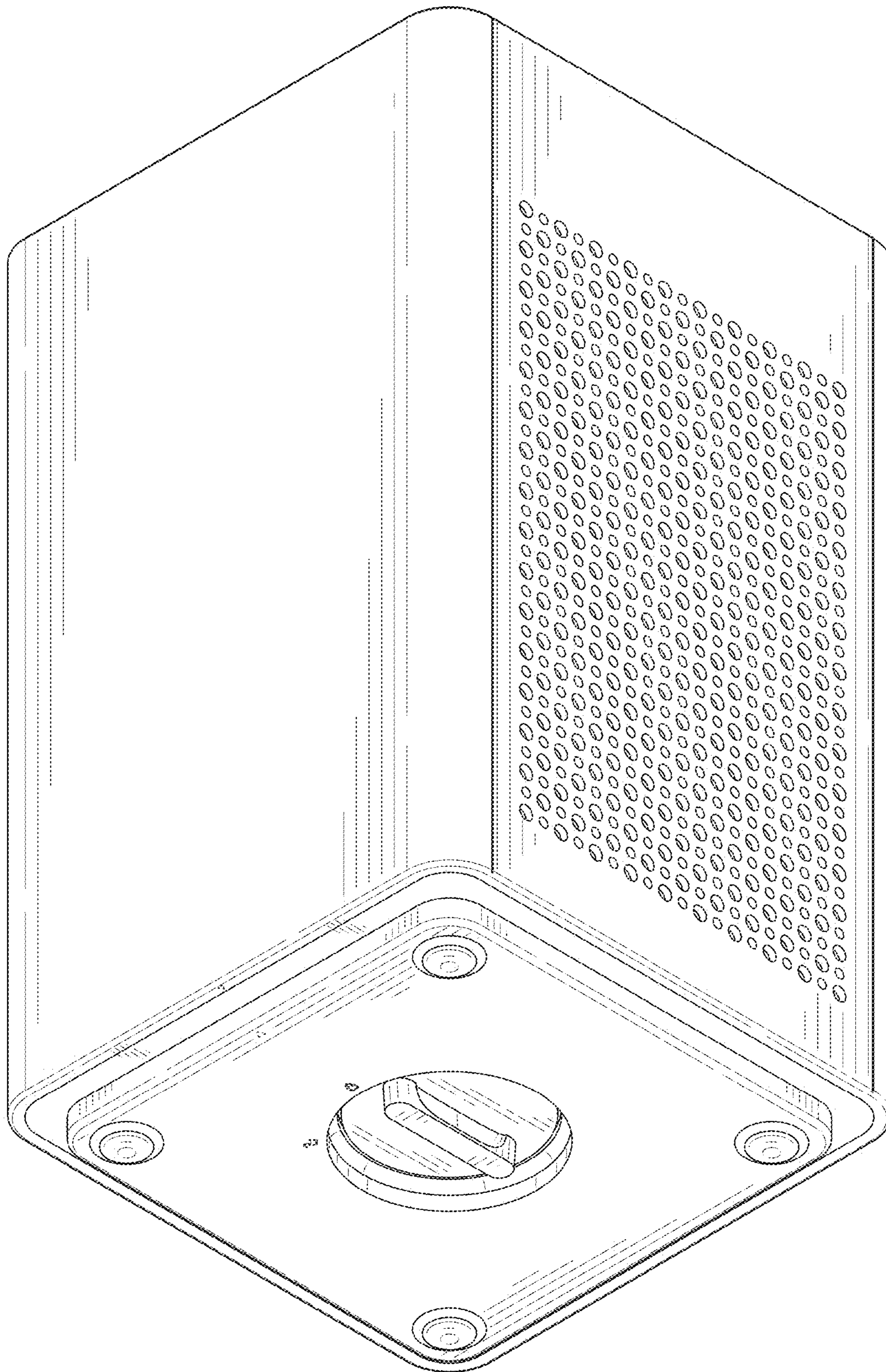


FIG. 2

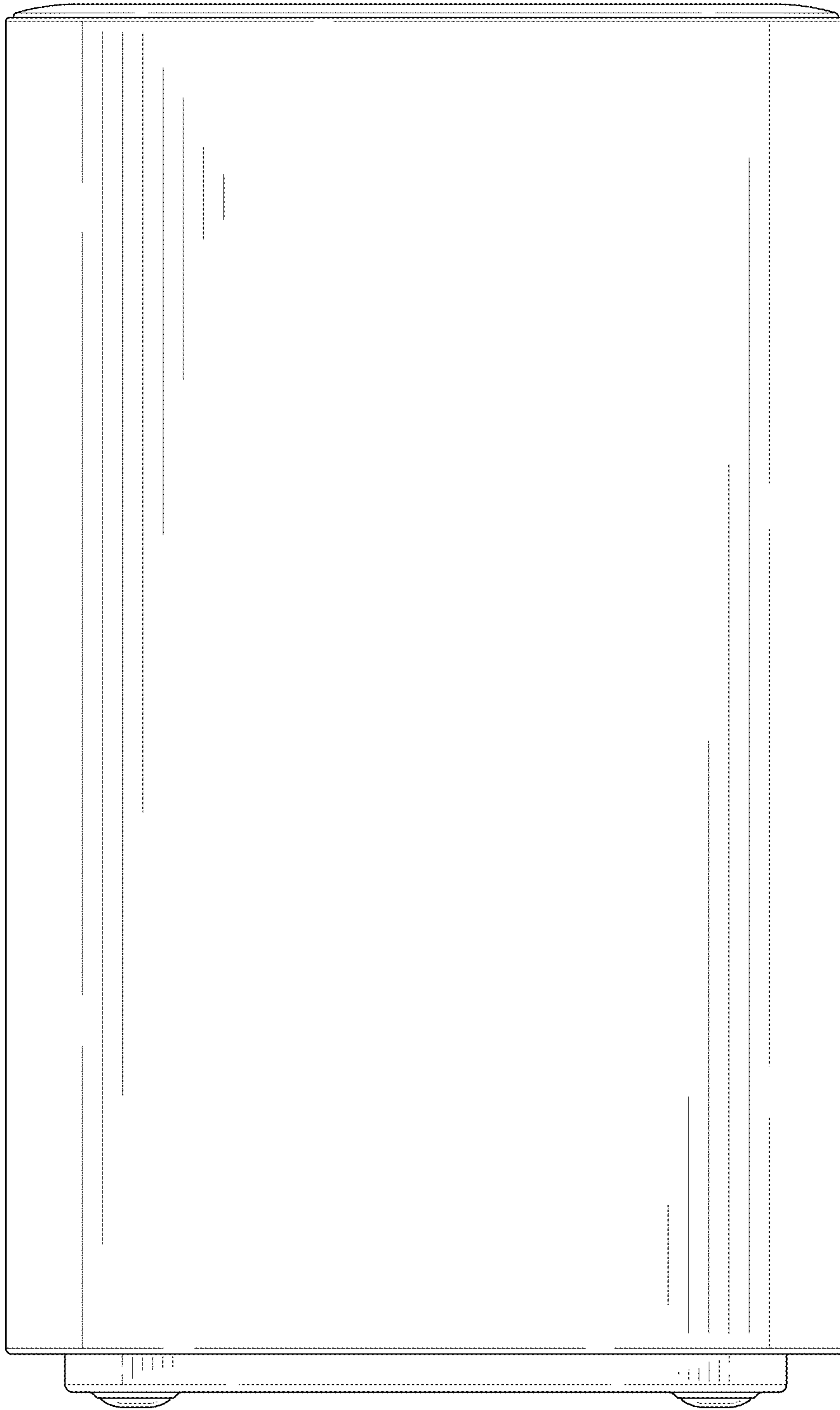


FIG. 3

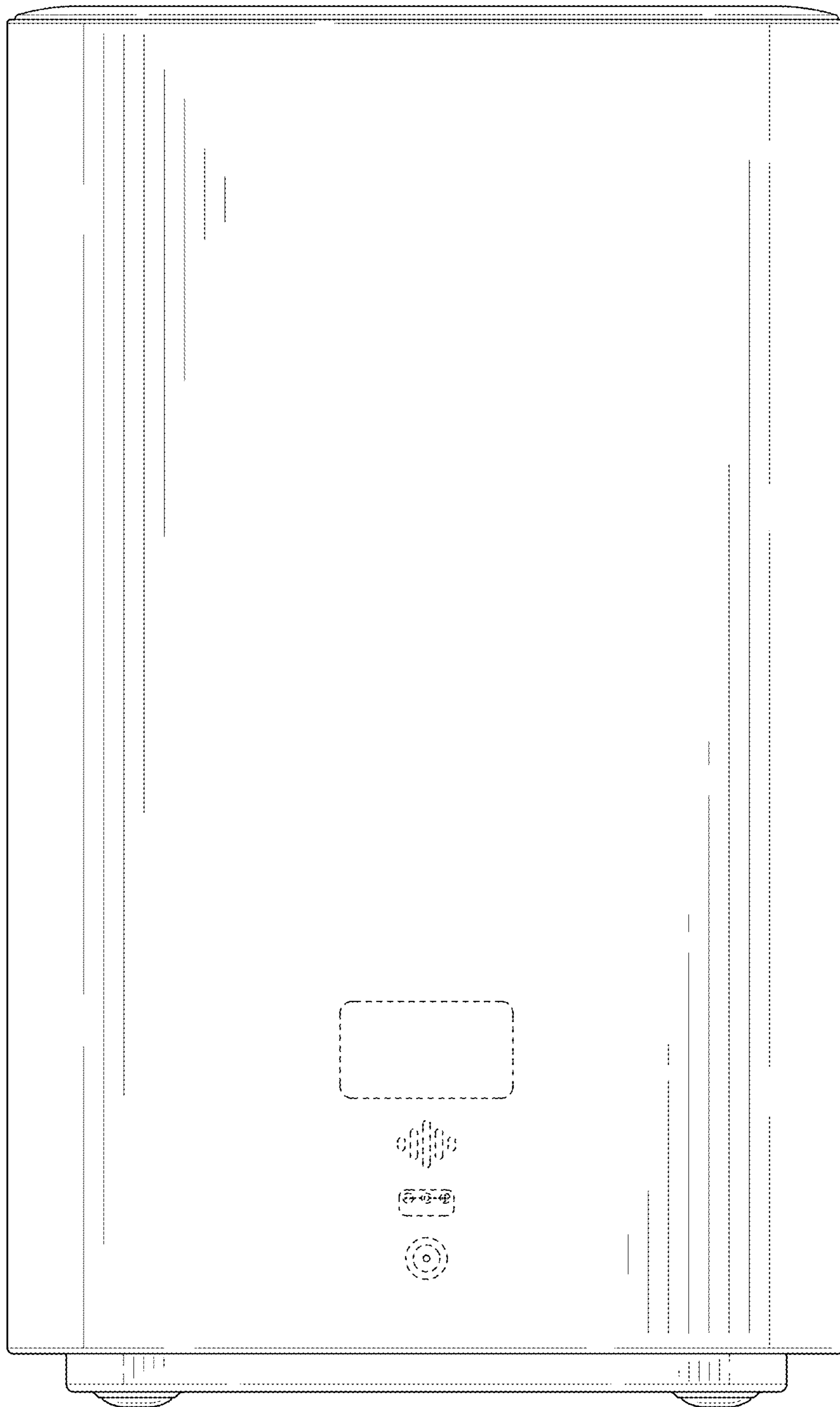


FIG. 4

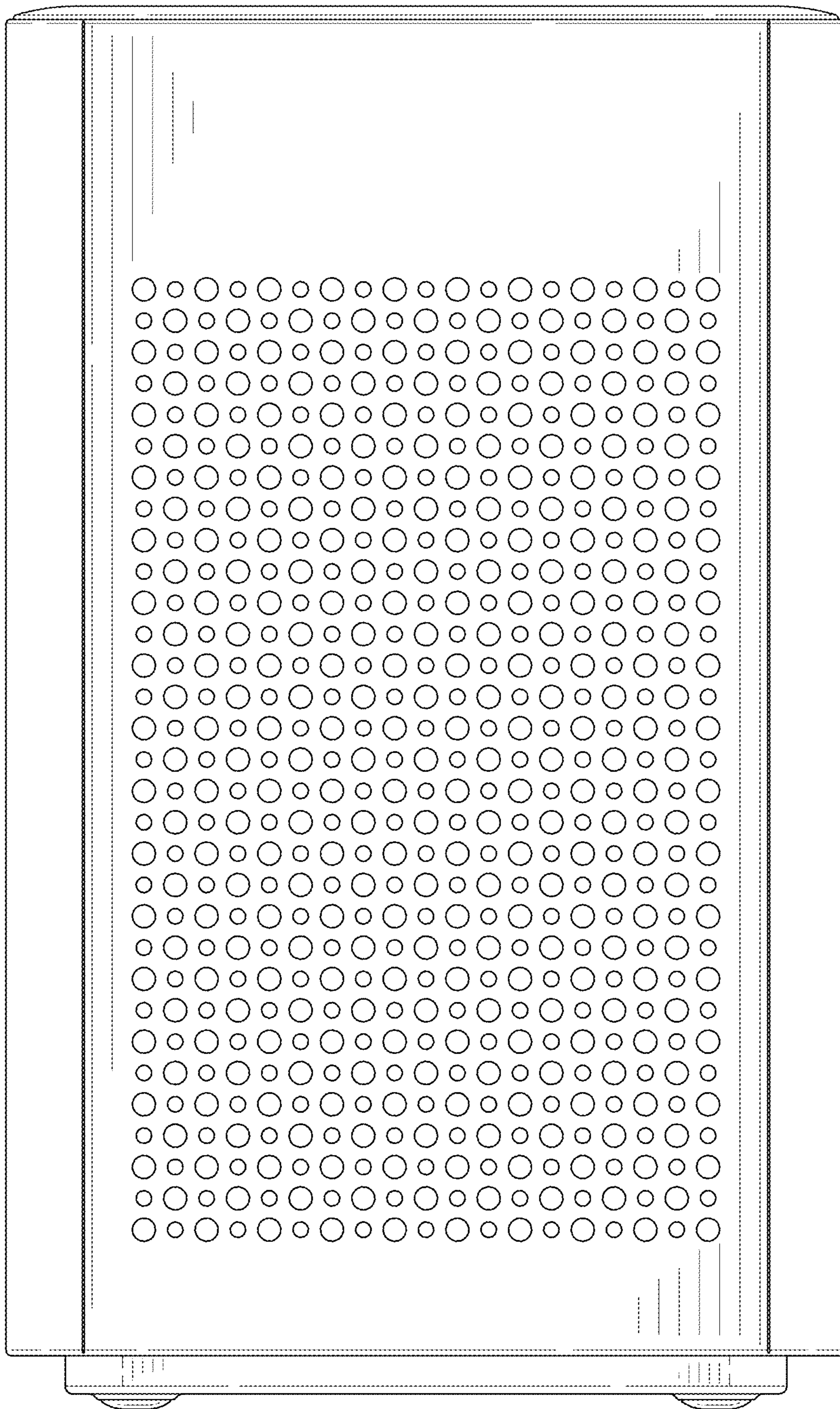


FIG. 5

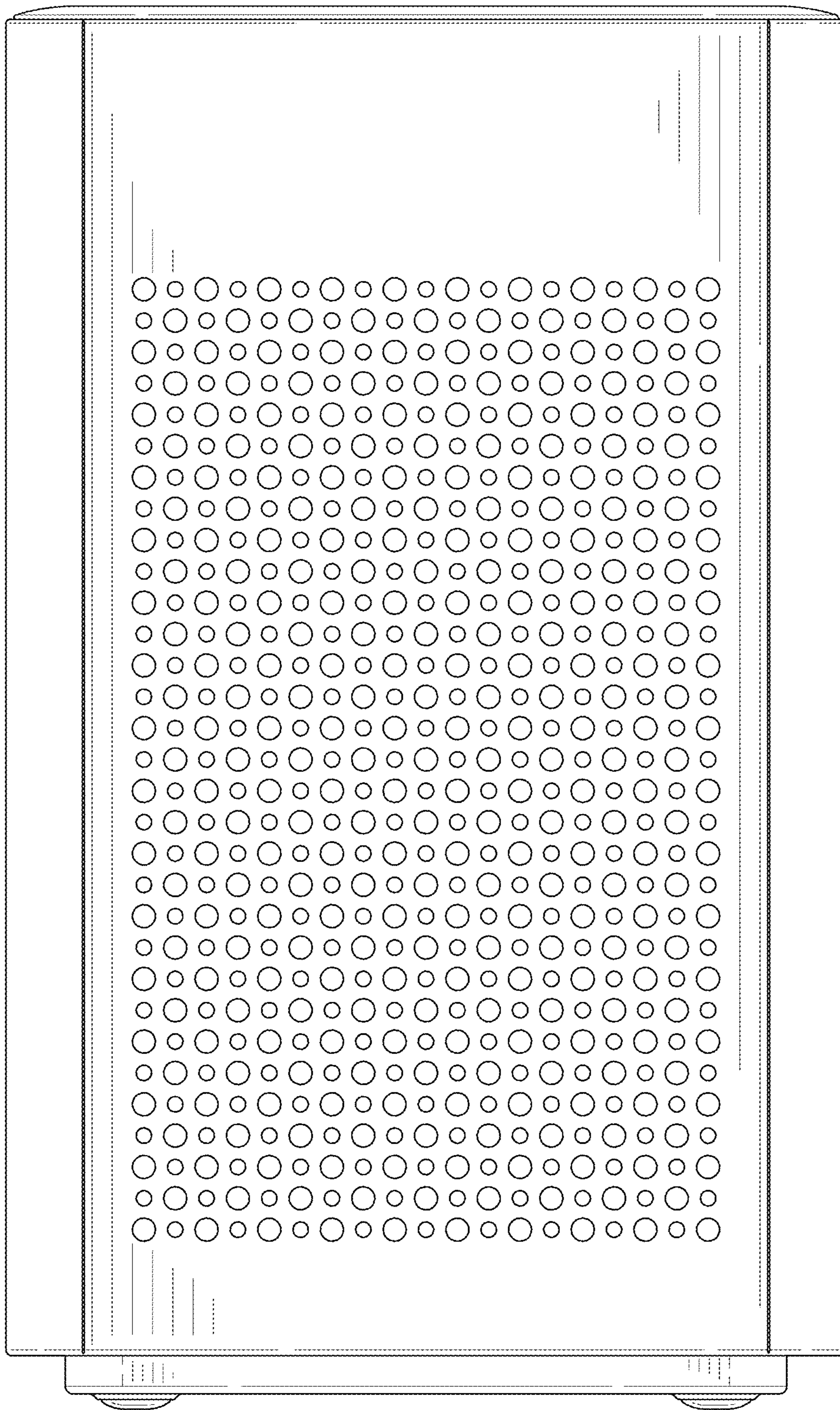


FIG. 6

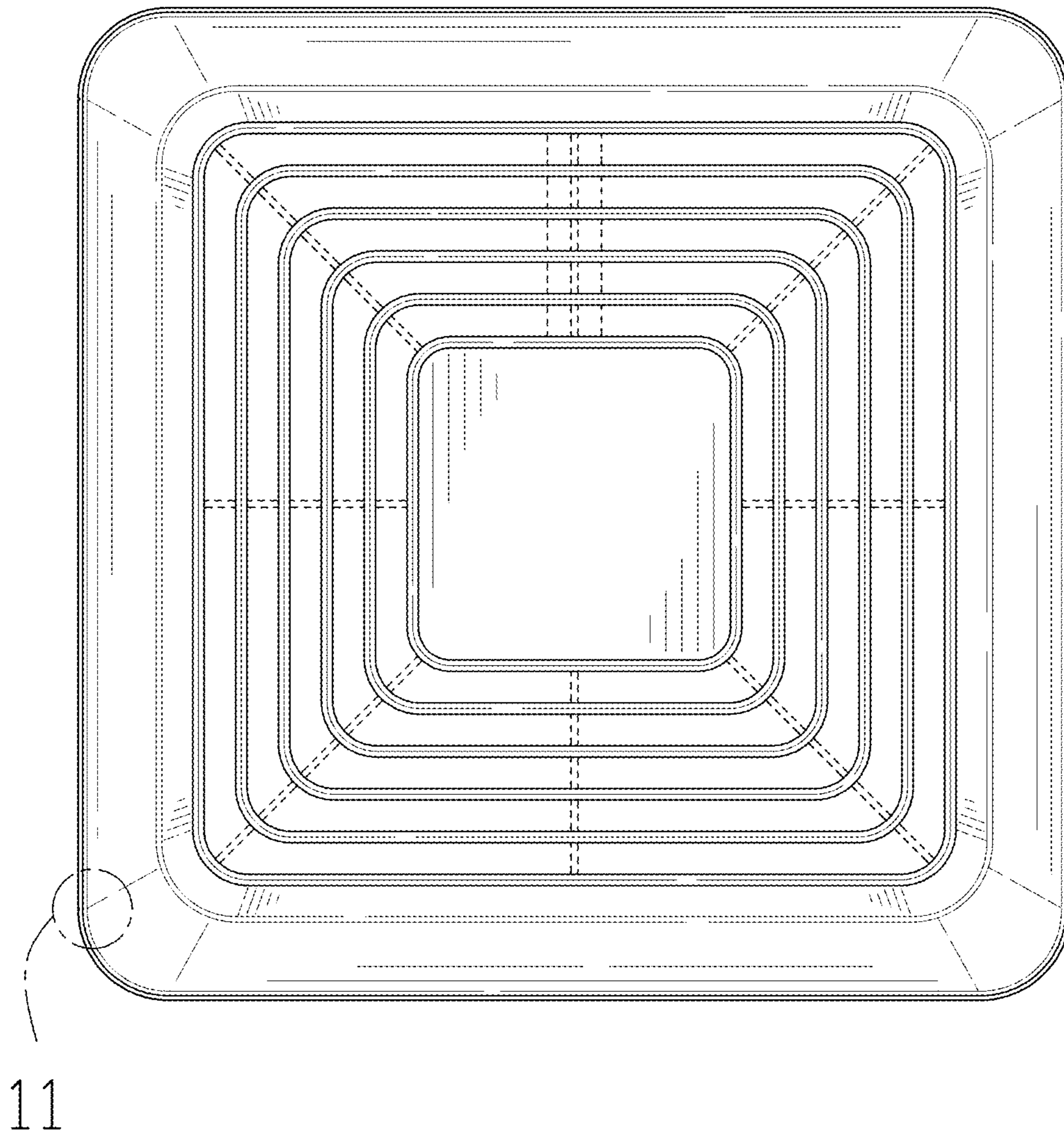


FIG. 7

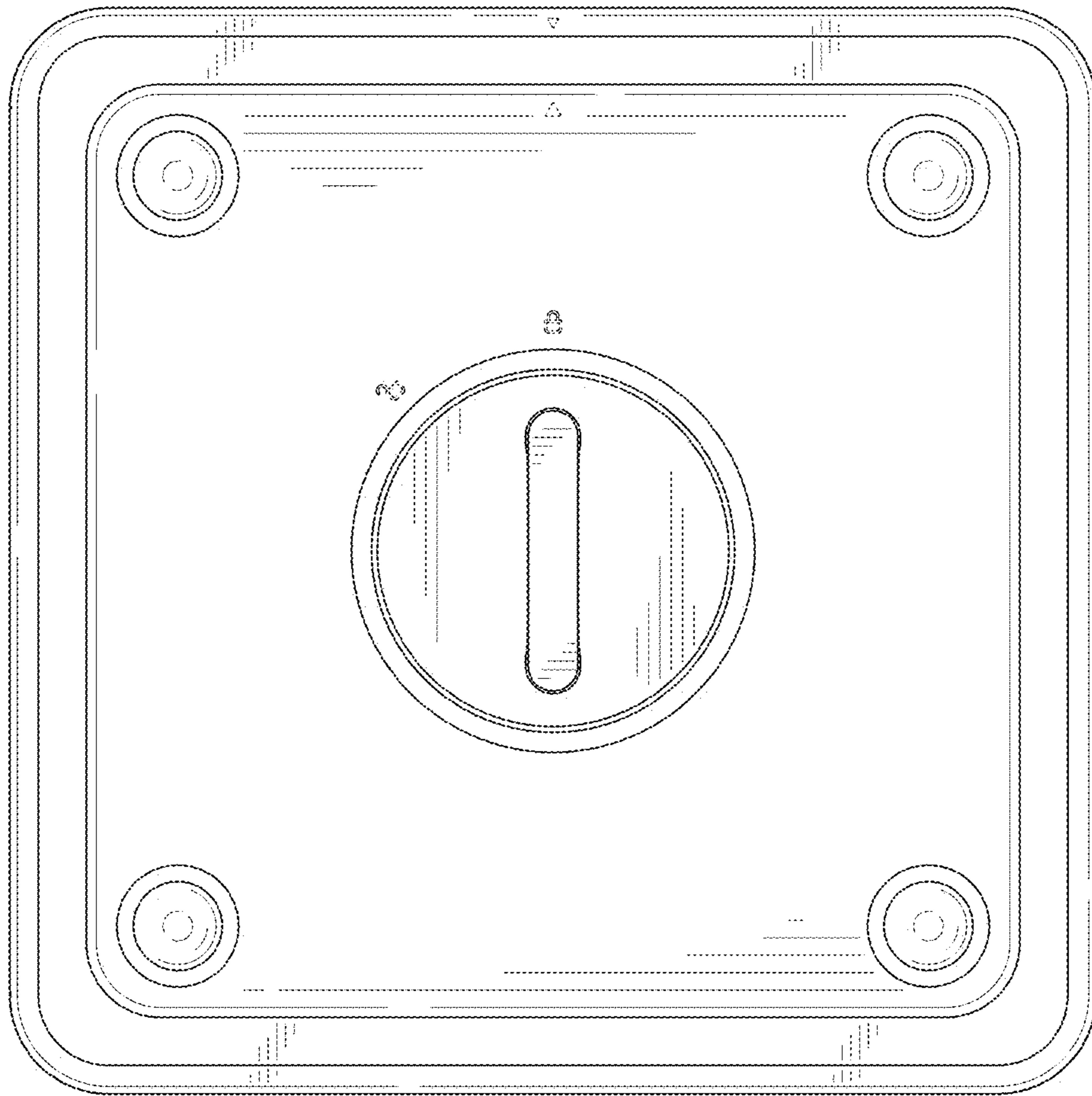


FIG. 8

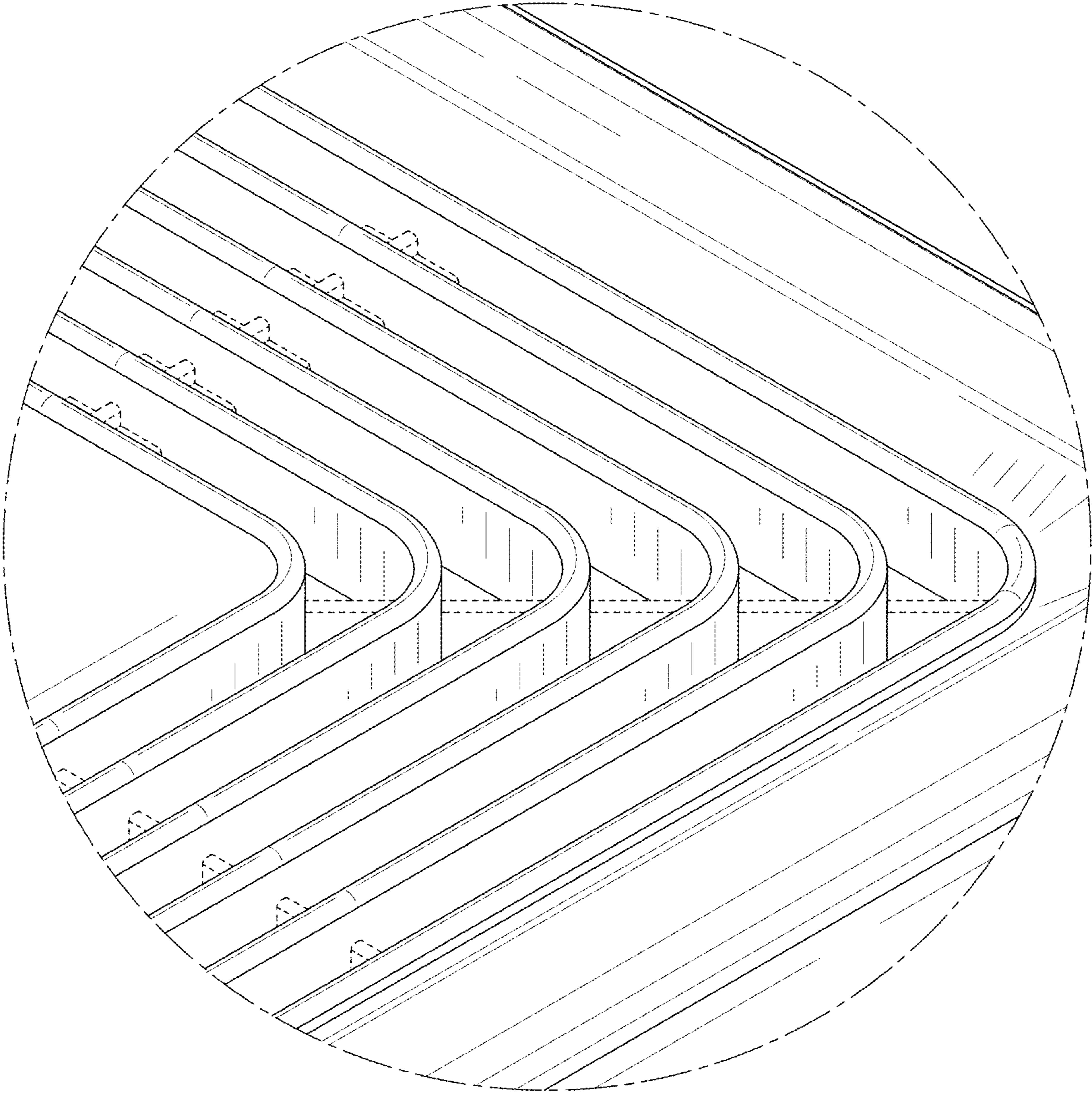


FIG. 9

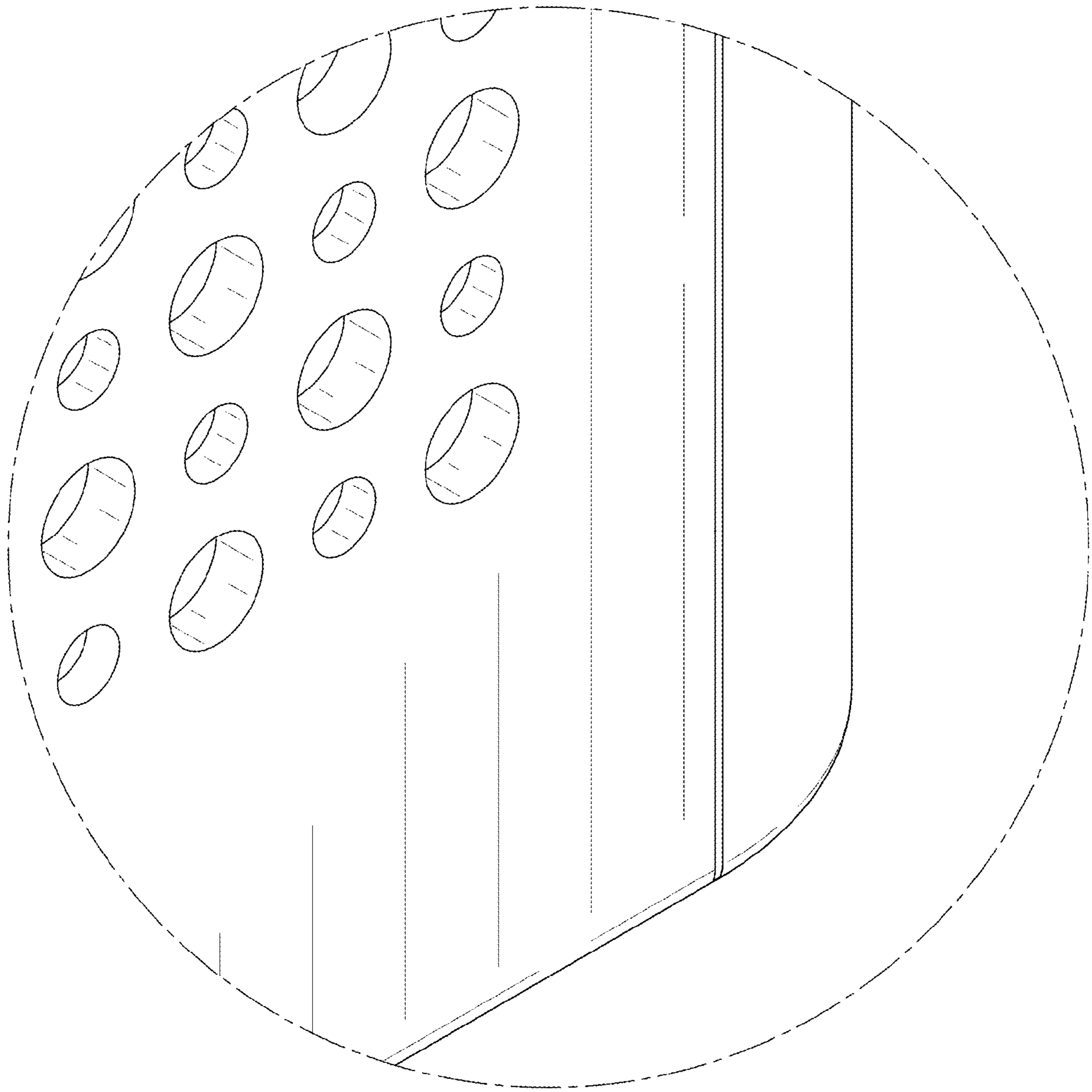


FIG. 10

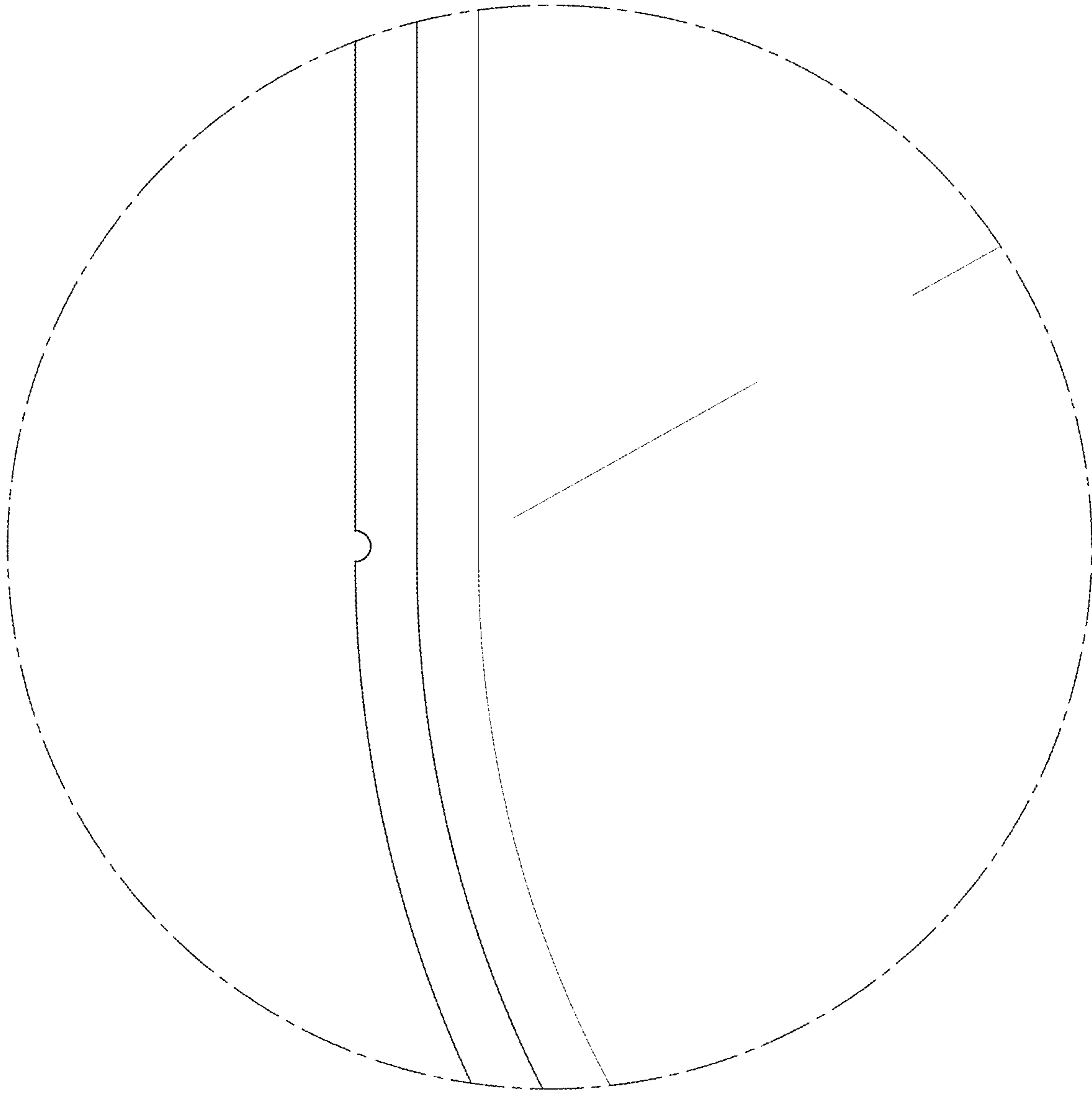


FIG. 11