



US00D987049S

(12) **United States Design Patent**
Jiang

(10) **Patent No.:** **US D987,049 S**

(45) **Date of Patent:** **** May 23, 2023**

(54) **FIRE PIT**

(71) Applicant: **Lei Jiang**, Shandong (CN)

(72) Inventor: **Lei Jiang**, Shandong (CN)

(**) Term: **15 Years**

(21) Appl. No.: **29/821,350**

(22) Filed: **Dec. 29, 2021**

(51) **LOC (14) Cl.** **23-03**

(52) **U.S. Cl.**
USPC **D23/335**

(58) **Field of Classification Search**
USPC D23/314, 328, 333, 354, 370-371,
D23/377-383, 387, 392, 411-414, 320,
D23/327, 329-330, 332, 335-350, 386,
D23/398, 402-403
CPC A47J 33/00; A47J 37/0763; A47J 37/07;
F24C 1/16; F24C 5/00; F24C 3/14; F24B
1/18
See application file for complete search history.

(56) **References Cited**

U.S. PATENT DOCUMENTS

D397,428 S *	8/1998	Reitsma	A47J 36/2477
				D23/343
D420,441 S *	2/2000	Hall	F24B 1/181
				D23/402
D633,995 S *	3/2011	Chiang	D23/343
D701,721 S *	4/2014	Jan	D7/332
D724,714 S *	3/2015	Benson	D23/332
D790,677 S *	6/2017	Horsfield	D23/343
D858,729 S *	9/2019	Scott	D23/348
D914,172 S *	3/2021	Stoltzfus	D23/336
D915,571 S *	4/2021	Lee	D23/336
D918,358 S *	5/2021	Stoltzfus	D23/343
D923,163 S *	6/2021	Jan	D23/343
D926,950 S	8/2021	Stoltzfus		
D926,952 S	8/2021	Hale et al.		

D927,659 S *	8/2021	Stoltzfus	D23/343
D954,921 S *	6/2022	Stoltzfus	D23/347
D955,538 S *	6/2022	Ye	D23/332
D961,747 S *	8/2022	Strange	D23/343
D963,154 S *	9/2022	Horie	D23/370
D965,121 S *	9/2022	Stoltzfus	D23/343
D965,123 S *	9/2022	Heller	D23/343
D968,578 S *	11/2022	Xia	D23/339
2012/0060819 A1 *	3/2012	Hunt	A47J 36/2477
				220/573.1
2020/0208842 A1 *	7/2020	Jan	F24B 1/181

* cited by examiner

Primary Examiner — Dana K Weiland

Assistant Examiner — Jonathan E Fiencke

(74) *Attorney, Agent, or Firm* — ScienBiziP, P.C.

(57) **CLAIM**

The ornamental design for a fire pit, as shown and described.

DESCRIPTION

FIG. 1 is a front, right, and top perspective view of a fire pit, showing my new design; the fire pit is unassembled.

FIG. 2 is a rear, right, and bottom perspective view thereof.

FIG. 3 is a front elevation view thereof.

FIG. 4 is a rear elevation view thereof.

FIG. 5 is a left side elevation view thereof.

FIG. 6 is a right side elevation view thereof.

FIG. 7 is a top plan view thereof.

FIG. 8 is a bottom plan view thereof.

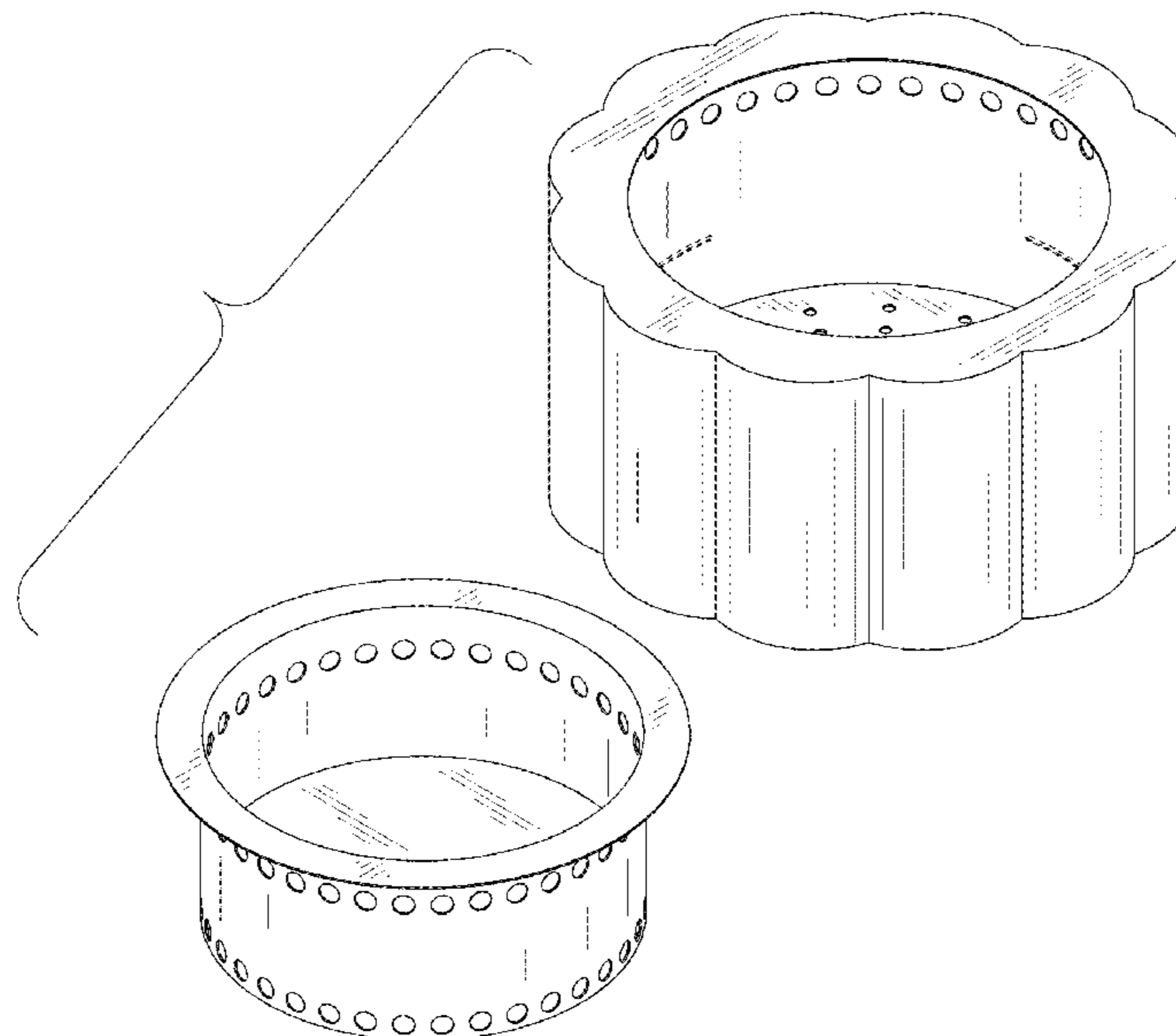
FIG. 9 is a detail view of area 9 circumscribed within FIG. 2; and,

FIG. 10 is a perspective view of the fire pit of FIG. 1, fully assembled.

The broken lines shown in the drawings are included for the purpose of illustrating portions of the fire pit that form no part of the claimed design.

The dot dash broken lines denote the boundaries of the detail area and form no part of the claimed design

1 Claim, 10 Drawing Sheets



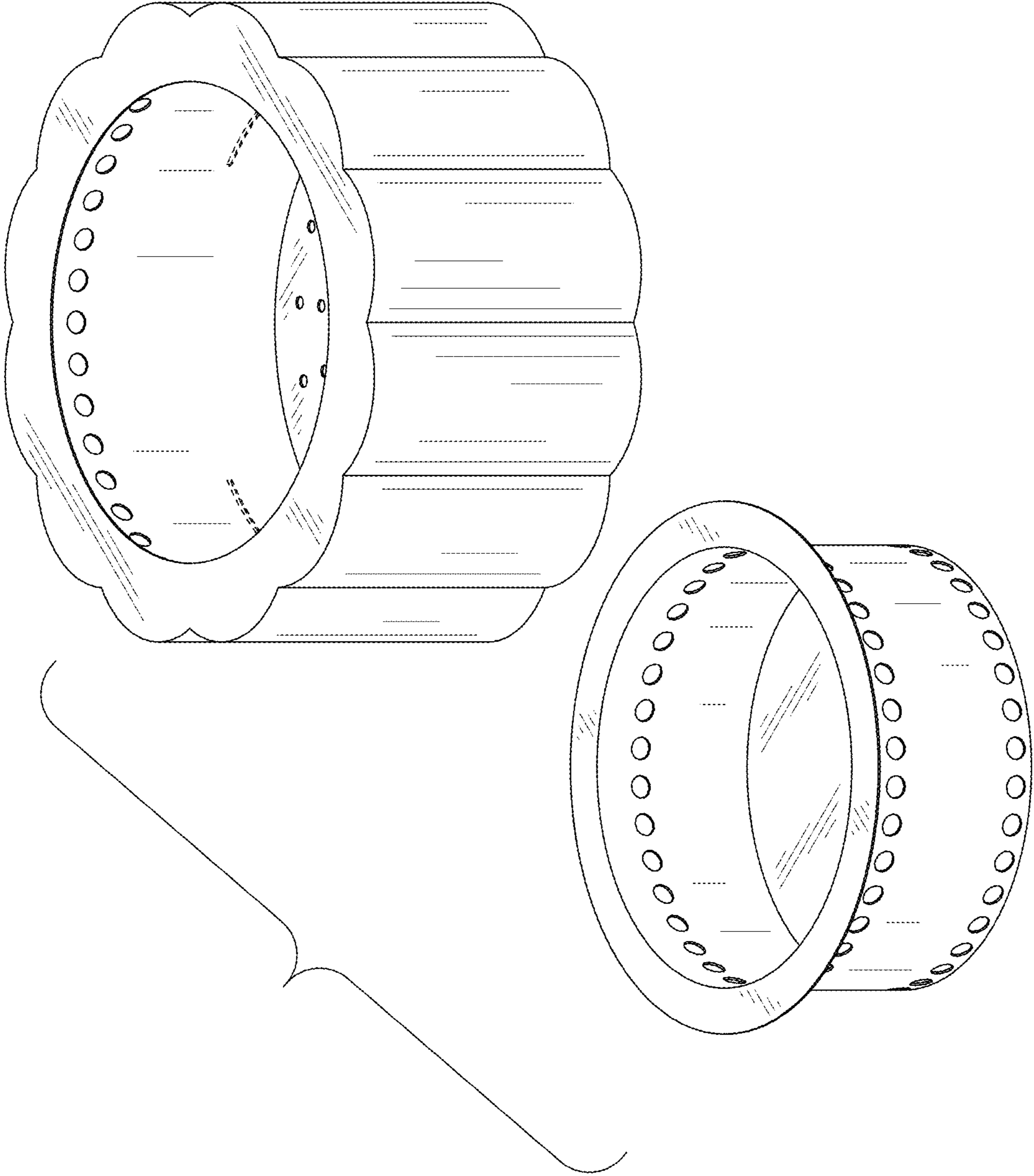


FIG. 1

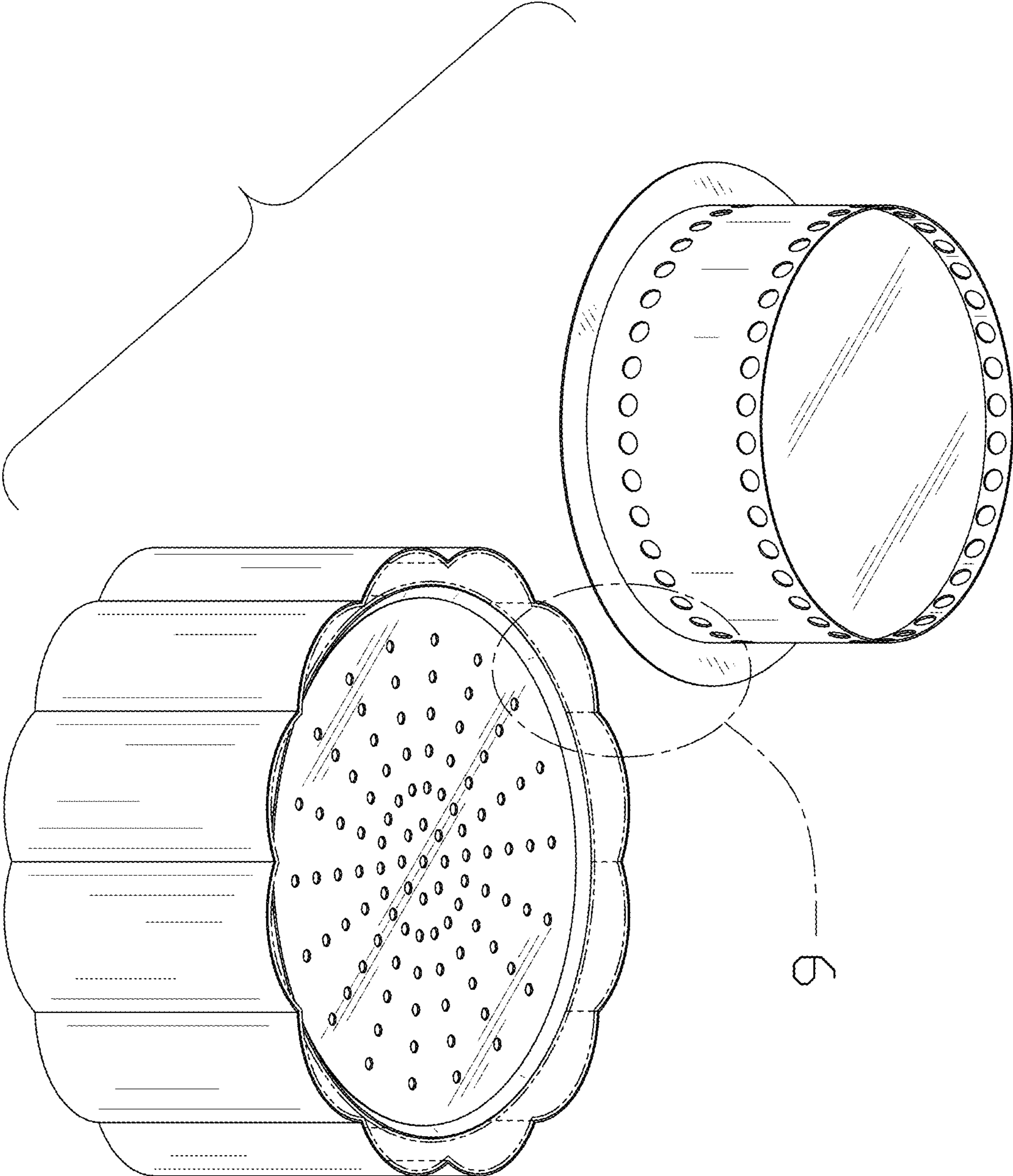


FIG. 2

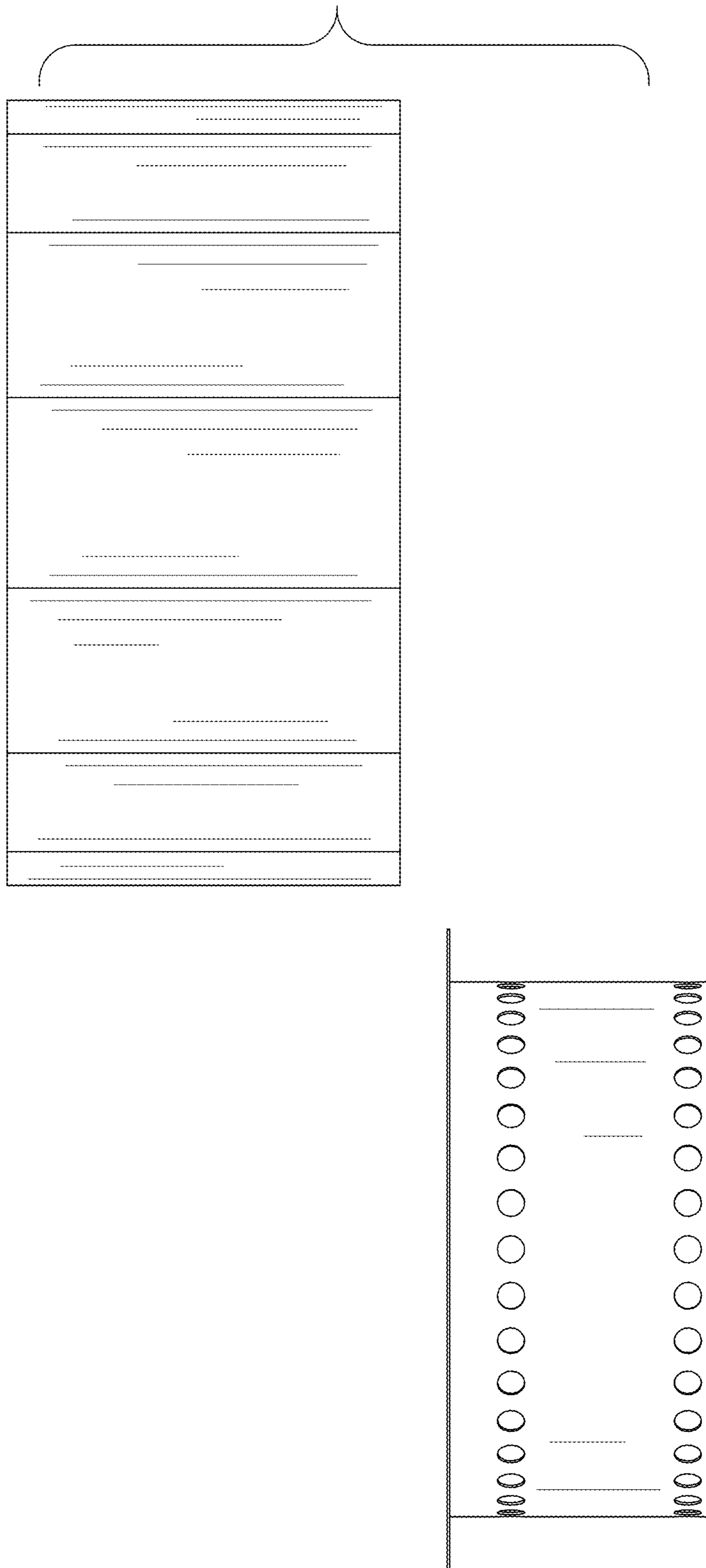


FIG. 3

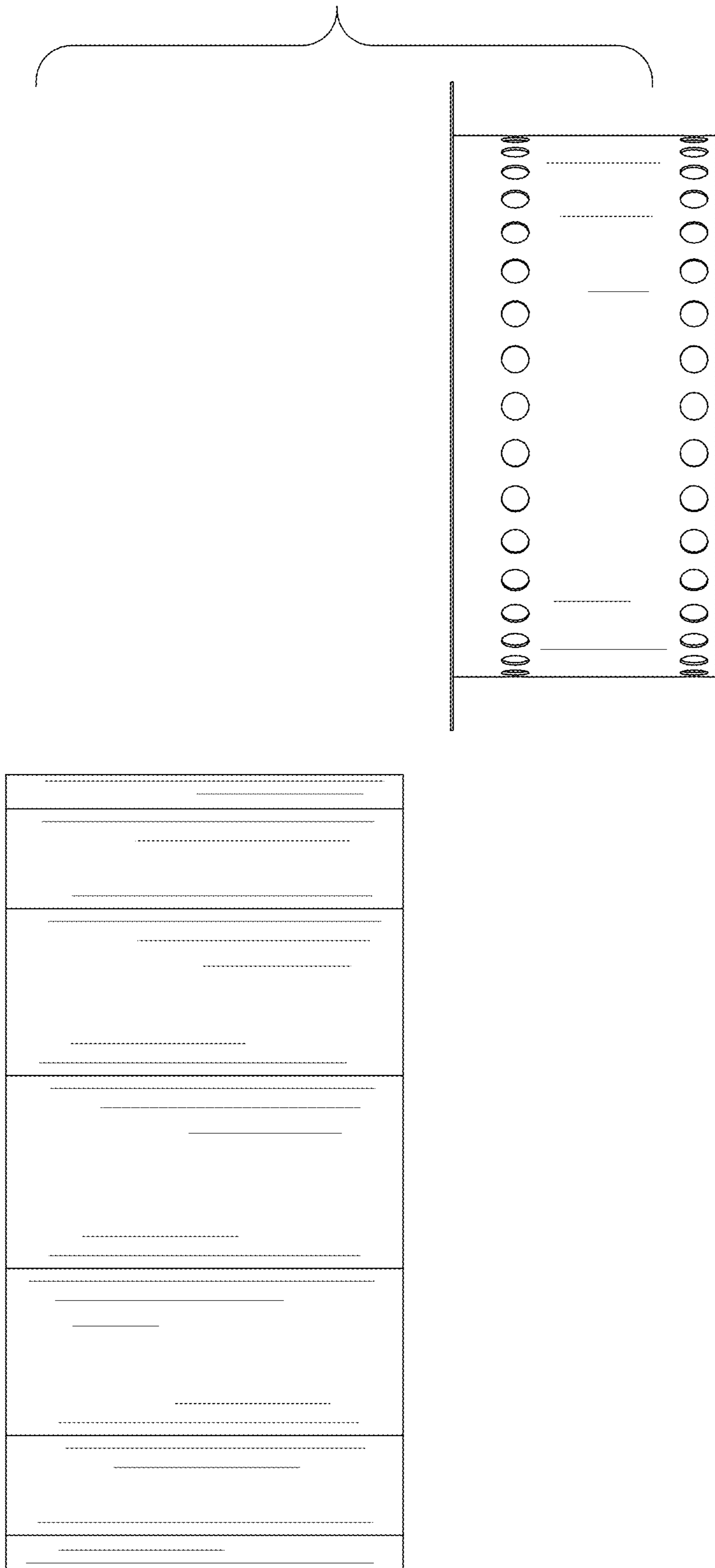


FIG. 4

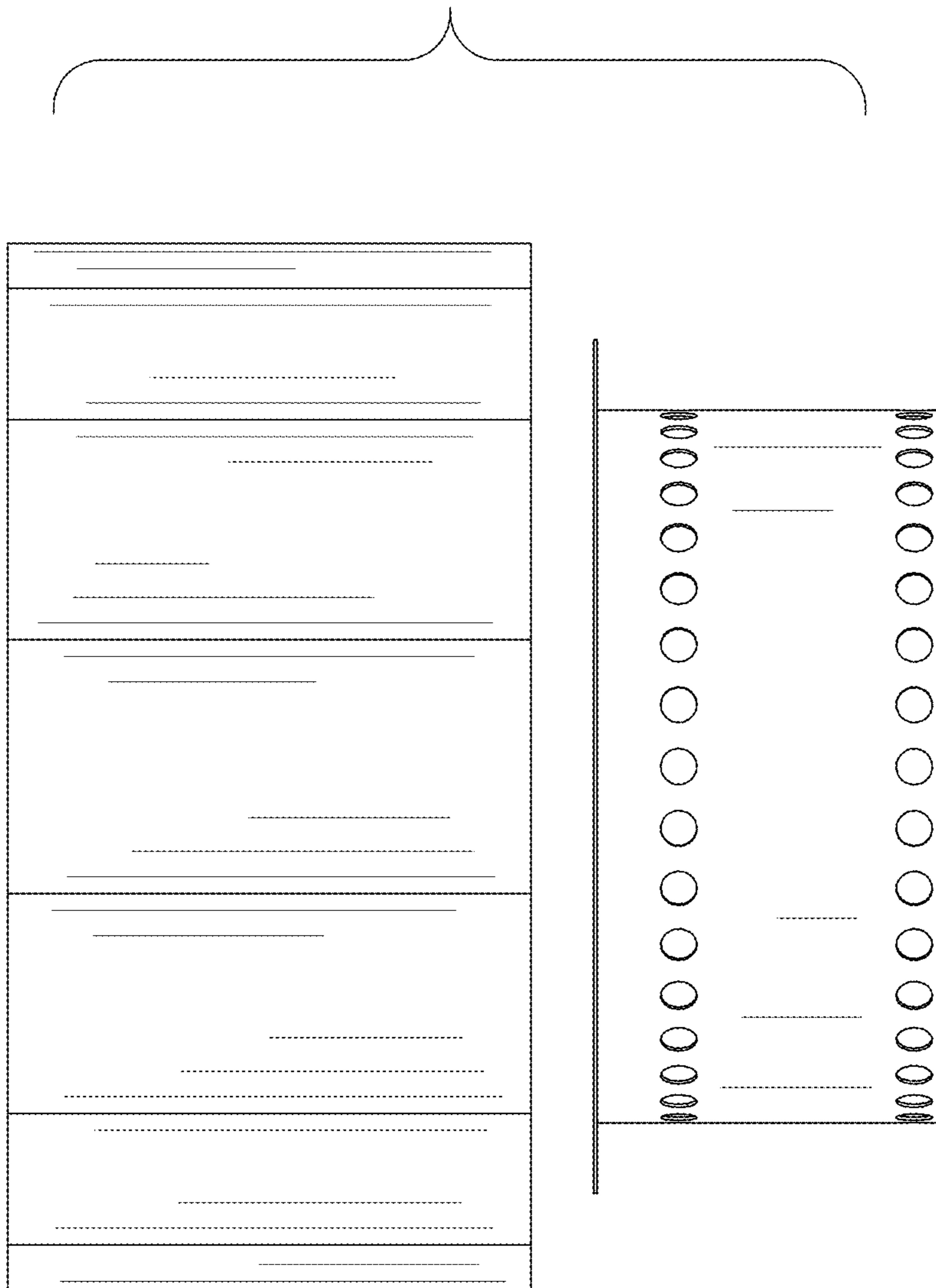


FIG. 5

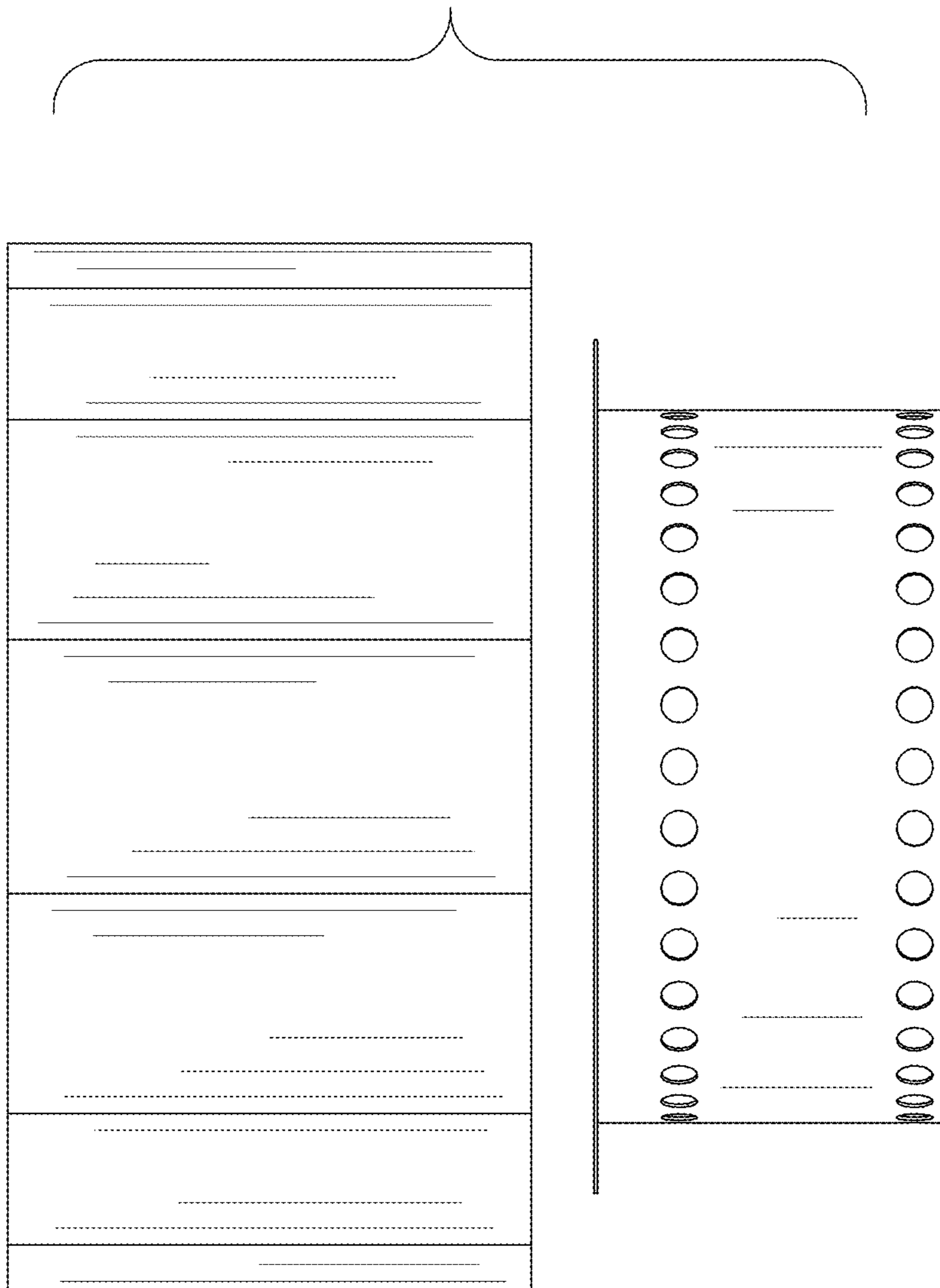


FIG. 6

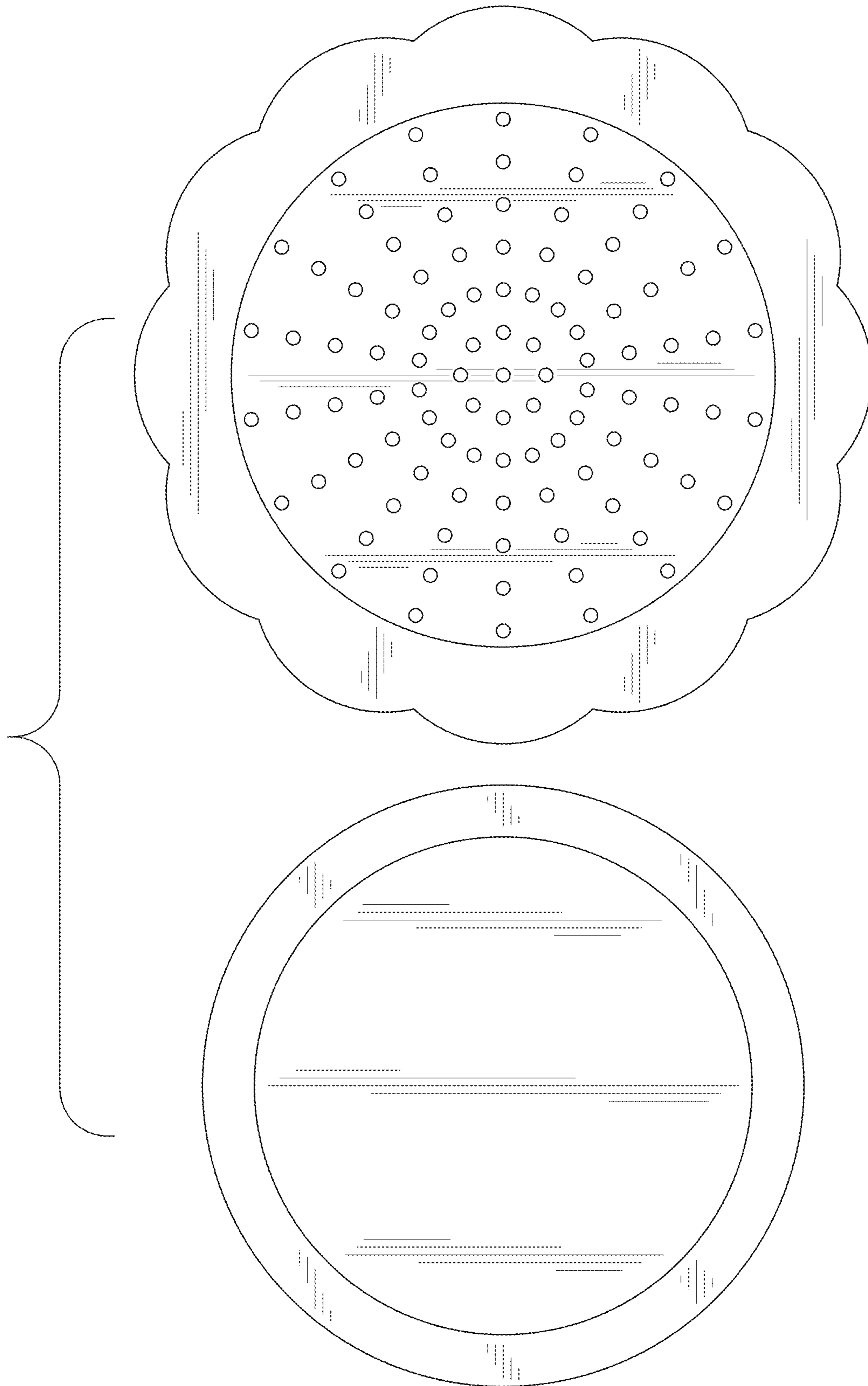


FIG. 7

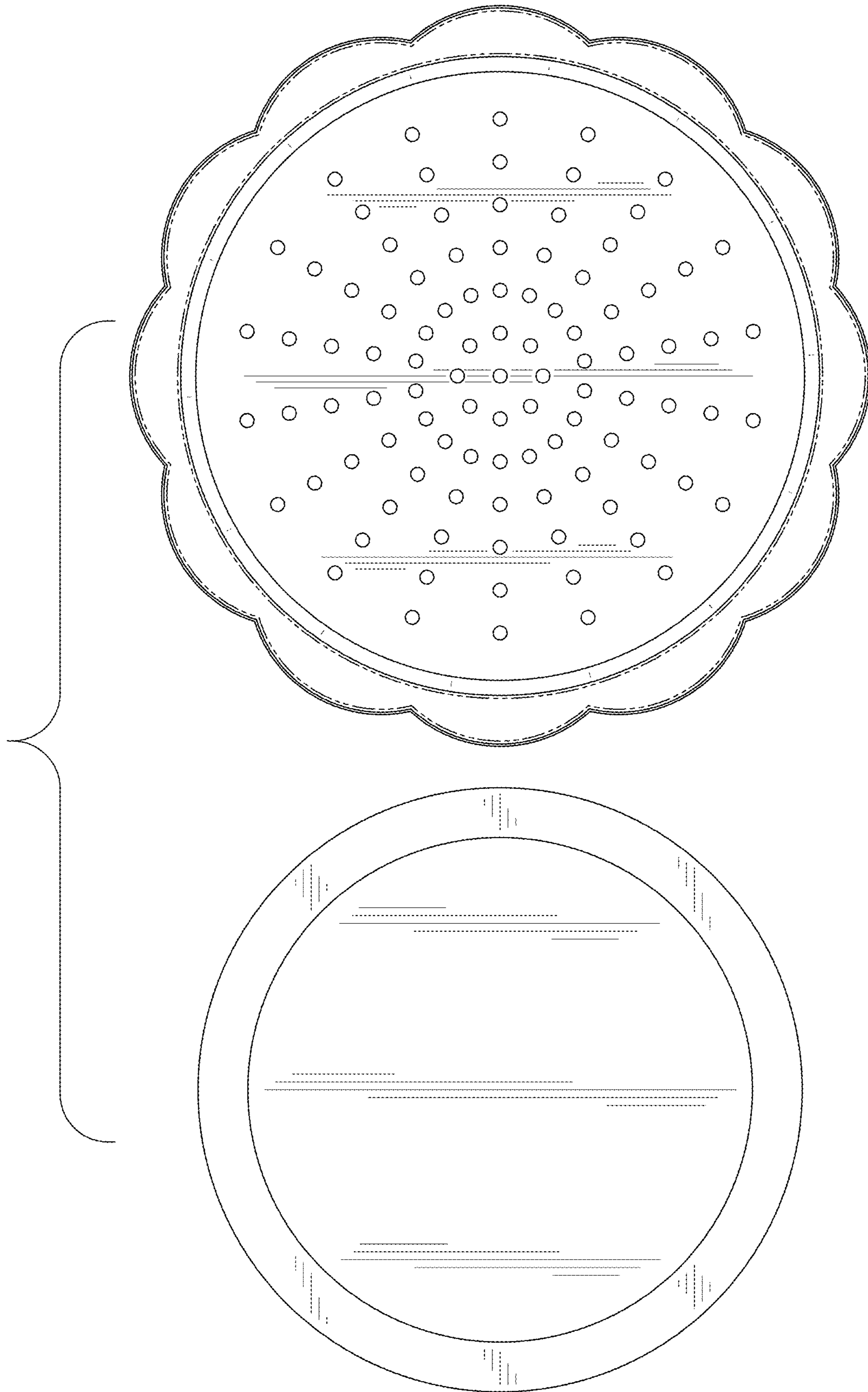


FIG. 8

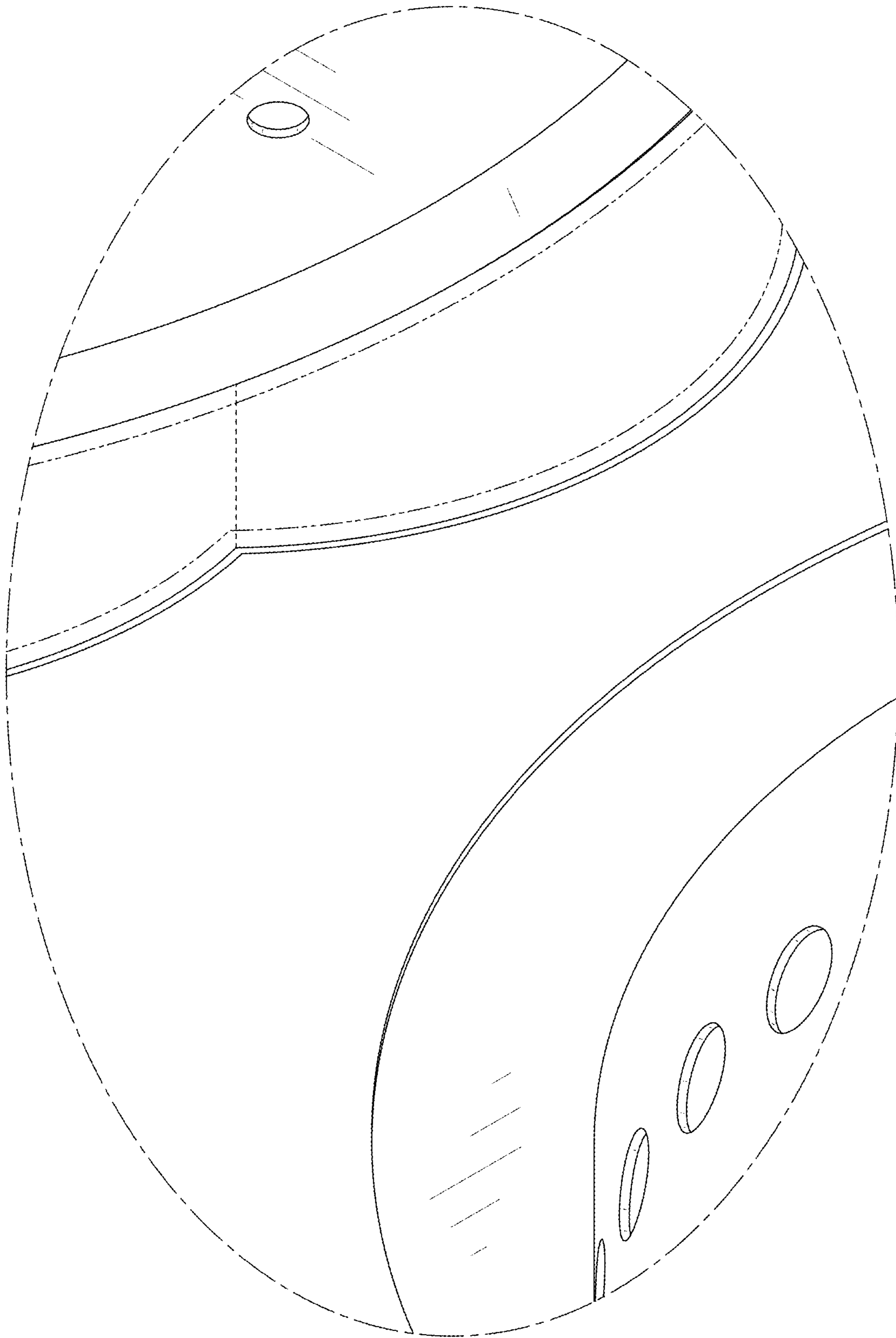


FIG. 9

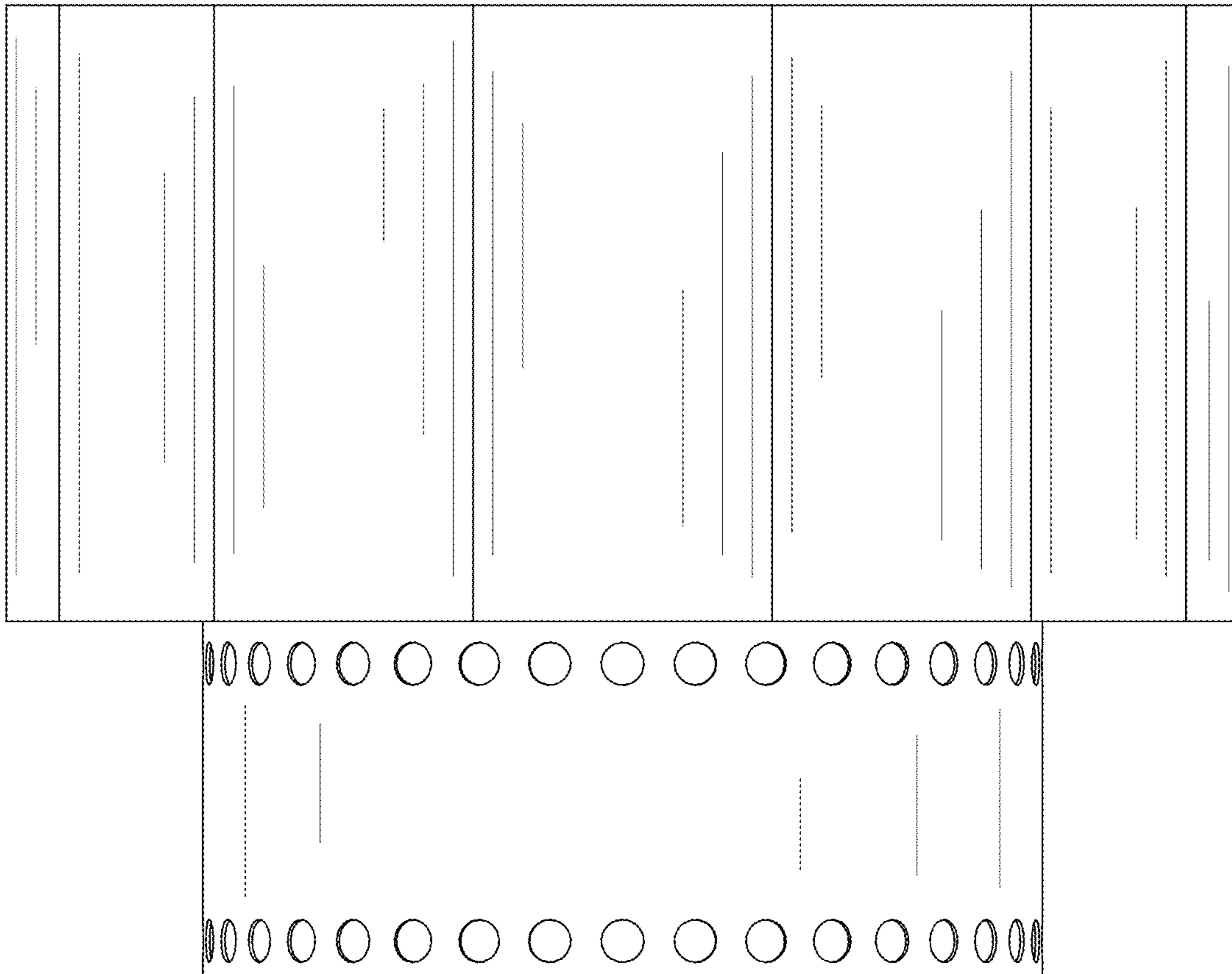


FIG. 10