



US00D987048S

(12) **United States Design Patent** (10) **Patent No.:** **US D987,048 S**  
**Chen** (45) **Date of Patent:** **\*\* May 23, 2023**

(54) **HEATER**  
(71) Applicant: **Cixi Xinlun Electrical Appliance Co., Ltd., Zhejiang (CN)**  
(72) Inventor: **Quanyi Chen, Ningbo (CN)**  
(73) Assignee: **Cixi Xinlun Electrical Appliance Co., Ltd., Zhejiang (CN)**  
(\*\*) Term: **15 Years**  
(21) Appl. No.: **29/809,341**  
(22) Filed: **Sep. 27, 2021**  
(51) **LOC (14) Cl.** ..... **23-03**  
(52) **U.S. Cl.**  
USPC ..... **D23/335**  
(58) **Field of Classification Search**  
USPC ..... D23/207, 213-214, 255, 283, 317-324,  
D23/332, 335-343, 355-365, 398-403,  
D23/417-41, 314, 328, 333, 354,  
D23/370-371, 377-383, 387, 392,  
D23/411-414  
CPC .... F24H 3/0488; F24H 3/0417; F24H 9/0073;  
F24H 9/1881; F23D 14/36  
See application file for complete search history.

D608,431 S \* 1/2010 Wang ..... D23/314  
D831,816 S 10/2018 Baek et al.  
D906,497 S \* 12/2020 Huang ..... D23/336  
D909,550 S 2/2021 Green  
D957,615 S \* 7/2022 Hong ..... D23/378  
D962,414 S \* 8/2022 Zhang ..... D23/378  
D967,393 S \* 10/2022 Pease ..... D23/382  
D969,301 S \* 11/2022 He ..... D23/382

\* cited by examiner

*Primary Examiner* — Dana K Weiland  
*Assistant Examiner* — Jonathan E Fiencke  
(74) *Attorney, Agent, or Firm* — True Shepherd, LLC;  
Andrew Cheng

(57) **CLAIM**

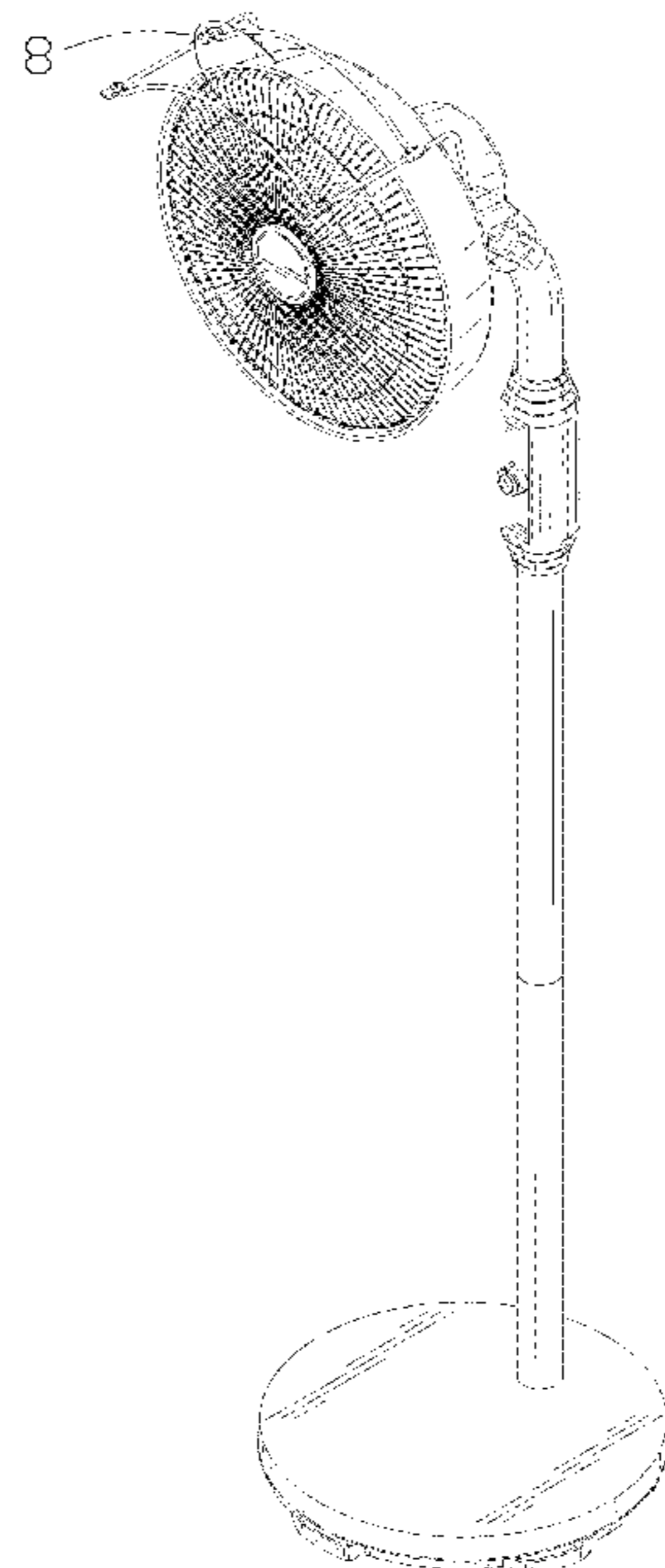
The ornamental design for a heater, as shown and described.

**DESCRIPTION**

FIG. 1 is a front, right and top perspective view of a heater, showing my design.  
FIG. 2 is a rear, left and bottom perspective view thereof.  
FIG. 3 is a front elevation view thereof.  
FIG. 4 is a rear elevation view thereof.  
FIG. 5 is a left side elevation view; the right side view being a mirror image thereof;  
FIG. 6 is a top plan view thereof.  
FIG. 7 is a bottom plan view thereof; and,  
FIG. 8 is a partial enlarged view of an area labeled 8 in FIG. 1 comprising an edge of a net cover.  
A right side elevation view of the heater is a mirror image of the left side elevation view thereof as shown in FIG. 5. The evenly spaced broken lines in the drawings depict portions of the heater that form no part of the claimed design. The dot dash broken lines denote the boundaries of the detail areas and form no part of the claim.

**1 Claim, 8 Drawing Sheets**

(56) **References Cited**  
U.S. PATENT DOCUMENTS  
D91,002 S \* 11/1933 Weber ..... D23/378  
D346,440 S \* 4/1994 Chiu ..... D23/382  
D412,565 S \* 8/1999 Lee ..... D23/335  
D414,858 S \* 10/1999 Litvin ..... D23/382  
D466,993 S \* 12/2002 Chang ..... D23/339  
D470,232 S \* 2/2003 Yeh ..... D23/339  
D502,769 S \* 3/2005 Blateri ..... D23/337  
D506,815 S \* 6/2005 Blateri ..... D23/335  
D509,889 S \* 9/2005 Blateri ..... D23/335



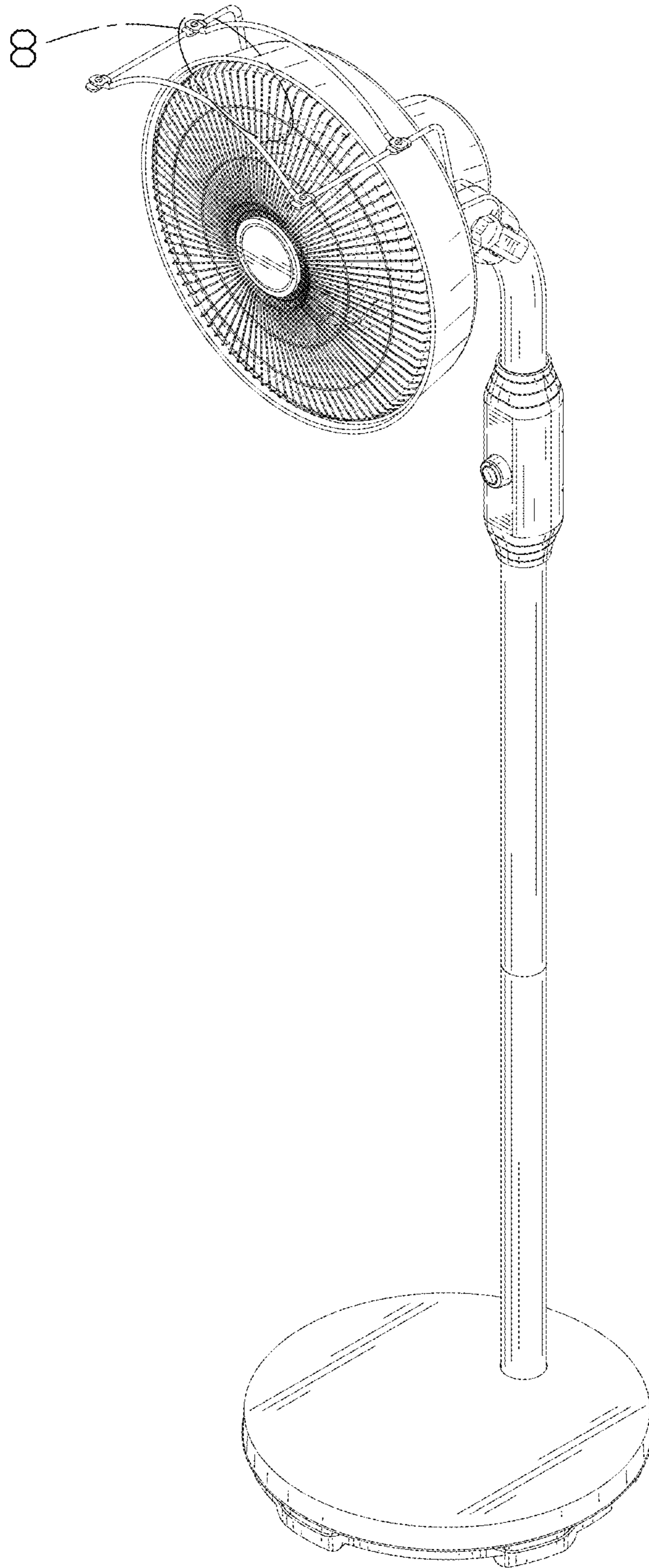


FIG. 1

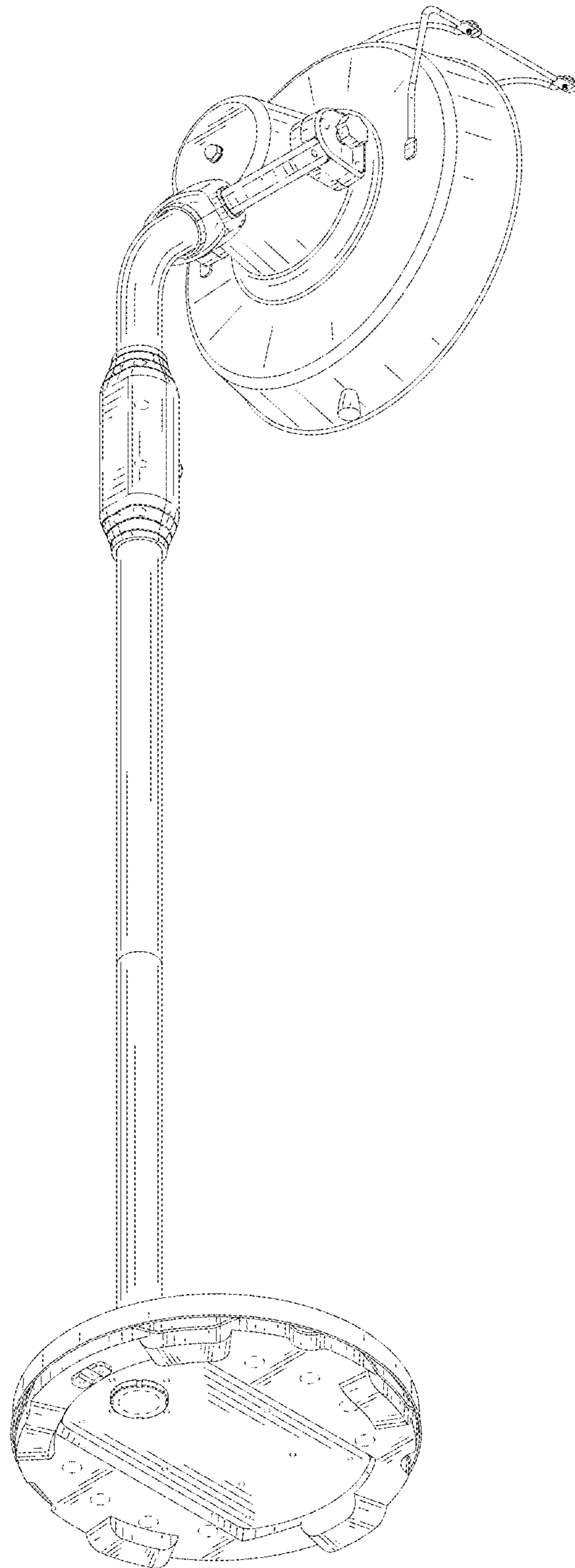


FIG. 2

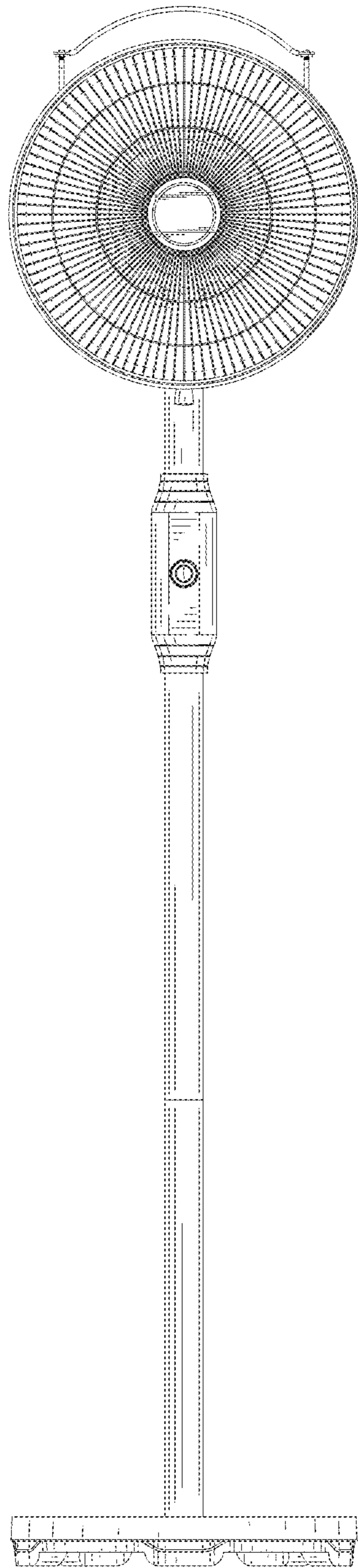


FIG. 3

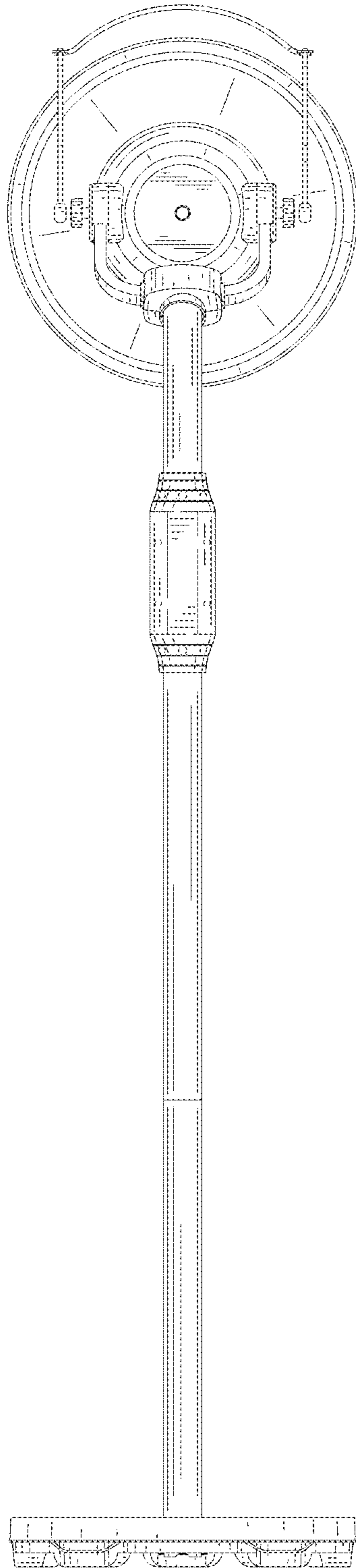


FIG. 4

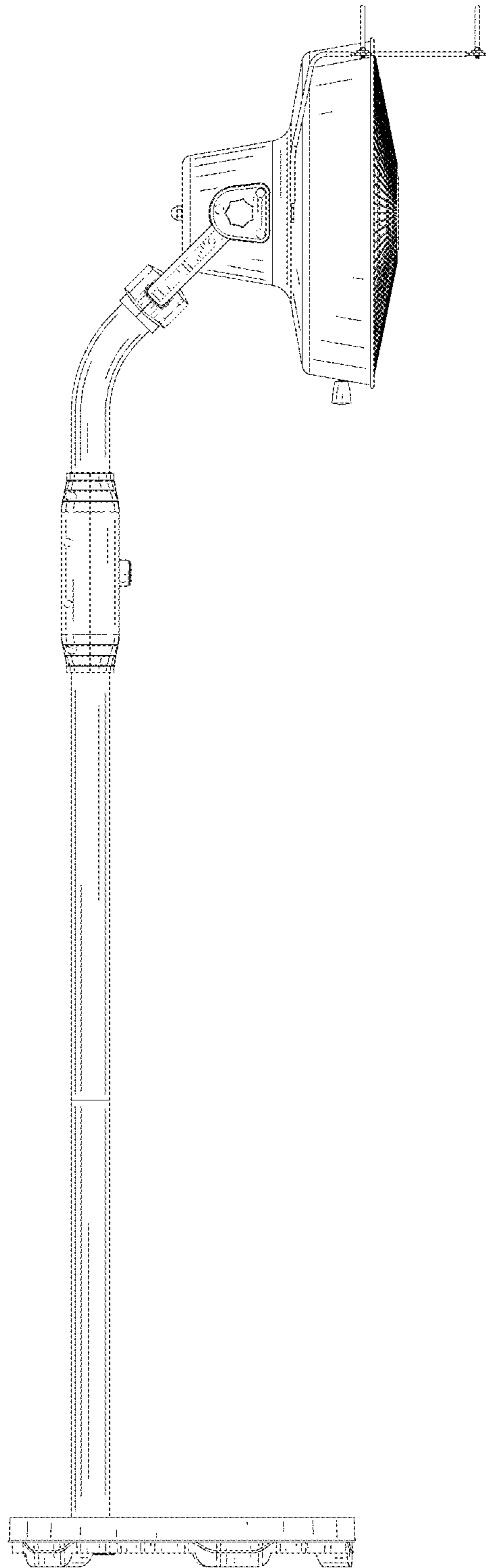


FIG. 5

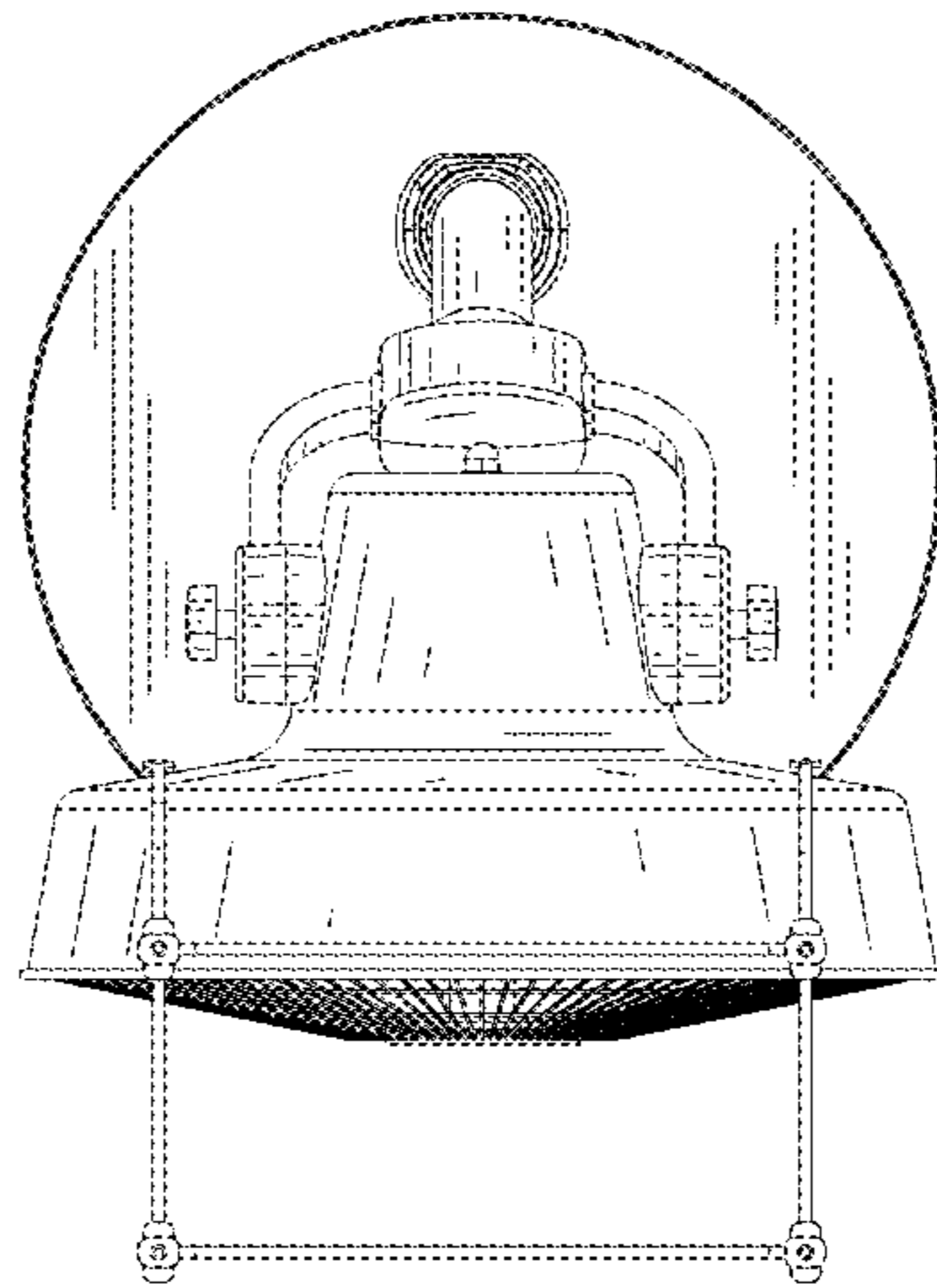


FIG. 6

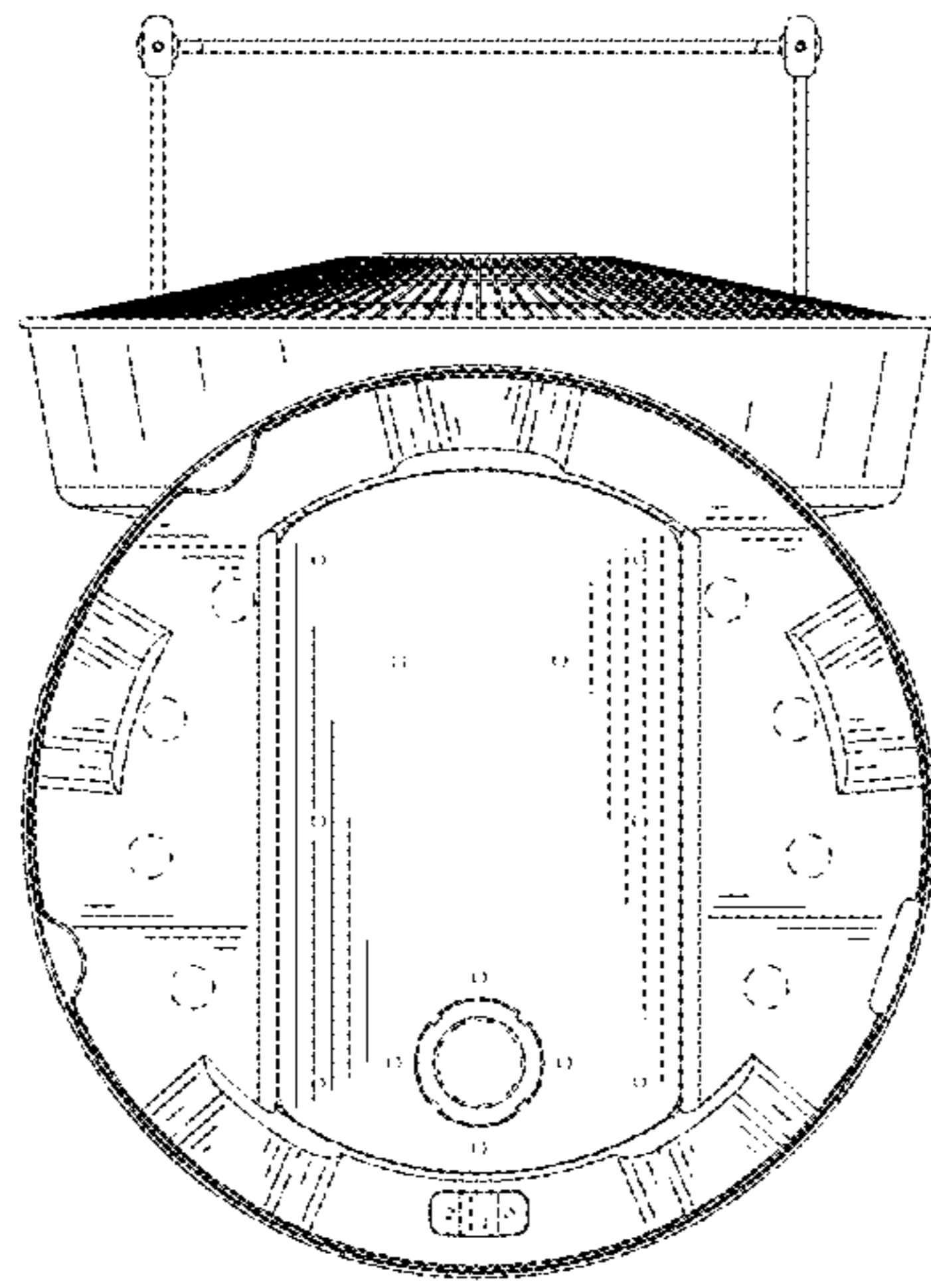


FIG. 7



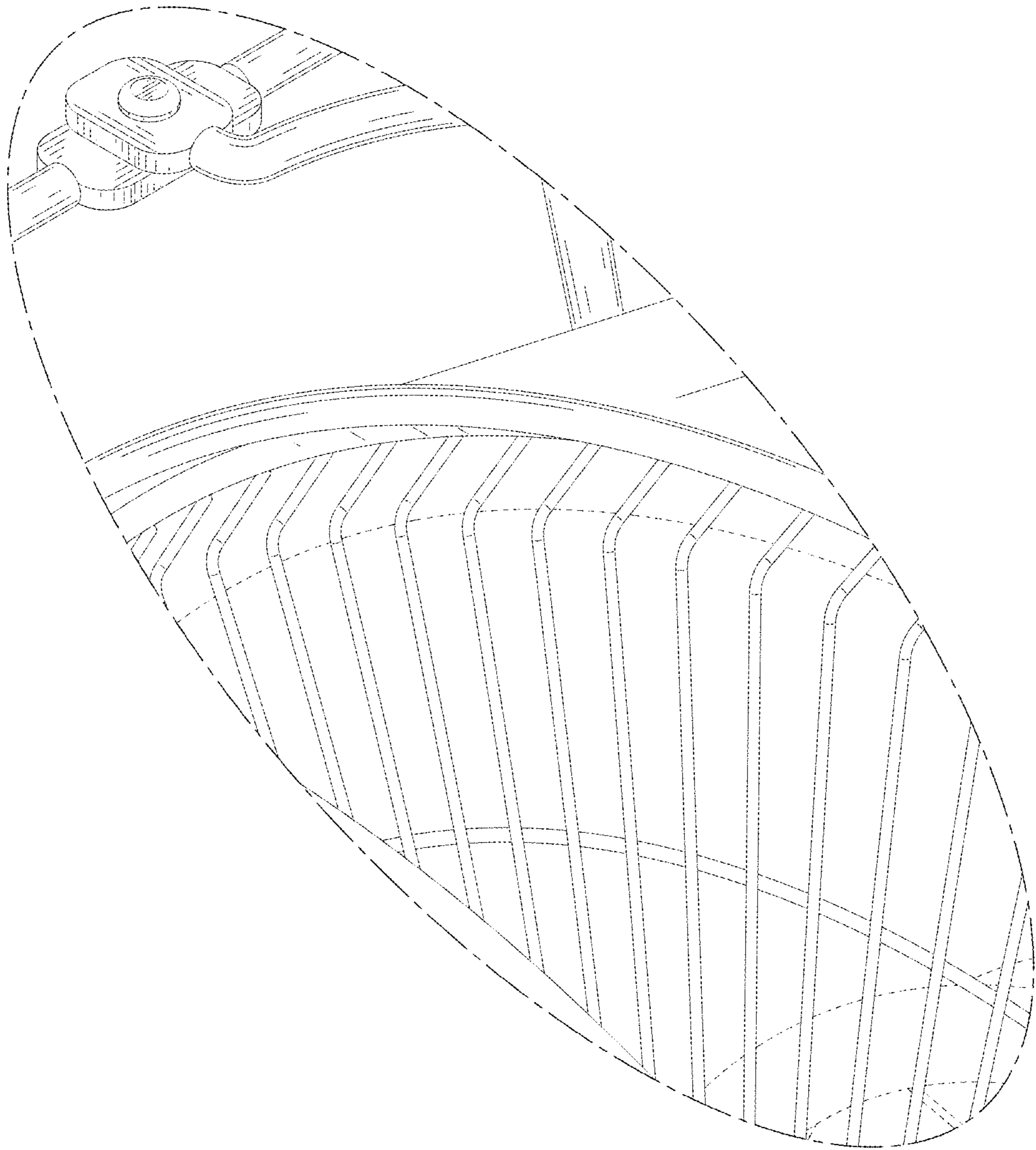


FIG. 8