



US00D987046S

(12) **United States Design Patent**  
**Feng**

(10) **Patent No.:** **US D987,046 S**

(45) **Date of Patent:** **\*\* May 23, 2023**

(54) **COOLING FAN**

(71) Applicant: **Yinghuan Feng**, Ningbo (CN)

(72) Inventor: **Yinghuan Feng**, Ningbo (CN)

(\*\*) Term: **15 Years**

(21) Appl. No.: **29/871,433**

(22) Filed: **Feb. 20, 2023**

(51) **LOC (14) Cl.** ..... **23-04**

(52) **U.S. Cl.**  
USPC ..... **D23/333; D23/370; D23/351**

(58) **Field of Classification Search**  
USPC ..... D23/370, 378, 381, 382, 411, 333, 351,  
D23/356

CPC .. F04D 29/005; F04D 25/166; F04D 25/0673;  
F04D 29/703; Y02B 30/54; F24F 1/02;  
F24F 2006/008

See application file for complete search history.

(56) **References Cited**

**U.S. PATENT DOCUMENTS**

D416,993 S *	11/1999	Dong	.....	D23/351
D536,429 S *	2/2007	Bushee	.....	D23/333
D549,310 S *	8/2007	Hou	.....	D23/333
D565,167 S *	3/2008	Hsu	.....	D23/370
D723,152 S	2/2015	Xu et al.		
D811,567 S *	2/2018	Lopez	.....	D23/351
D827,115 S *	8/2018	Petersen	.....	D23/333
D850,593 S *	6/2019	Petersen	.....	D23/333
D852,340 S *	6/2019	Barlettano	.....	F24F 1/02 D23/333
D933,179 S *	10/2021	Fu	.....	D23/333
D948,679 S *	4/2022	Barlettano	.....	D23/333
D963,135 S *	9/2022	Barlettano	.....	D23/333

D964,530 S *	9/2022	Xu	.....	D23/370
D965,124 S *	9/2022	Zou	.....	D23/351
D966,475 S *	10/2022	Barlettano	.....	D23/333
D967,364 S *	10/2022	Hu	.....	D23/351
D969,283 S *	11/2022	Ye	.....	D23/333
D972,097 S *	12/2022	Yang	.....	D23/351
D972,098 S *	12/2022	Yang	.....	D23/351
D977,079 S *	1/2023	Liu	.....	D23/333
D978,308 S *	2/2023	Barlettano	.....	D23/333
2021/0148584 A1 *	5/2021	Barlettano	.....	F24F 5/0035

**FOREIGN PATENT DOCUMENTS**

CN 307194856 S 3/2022

\* cited by examiner

*Primary Examiner* — Janice Hallmark

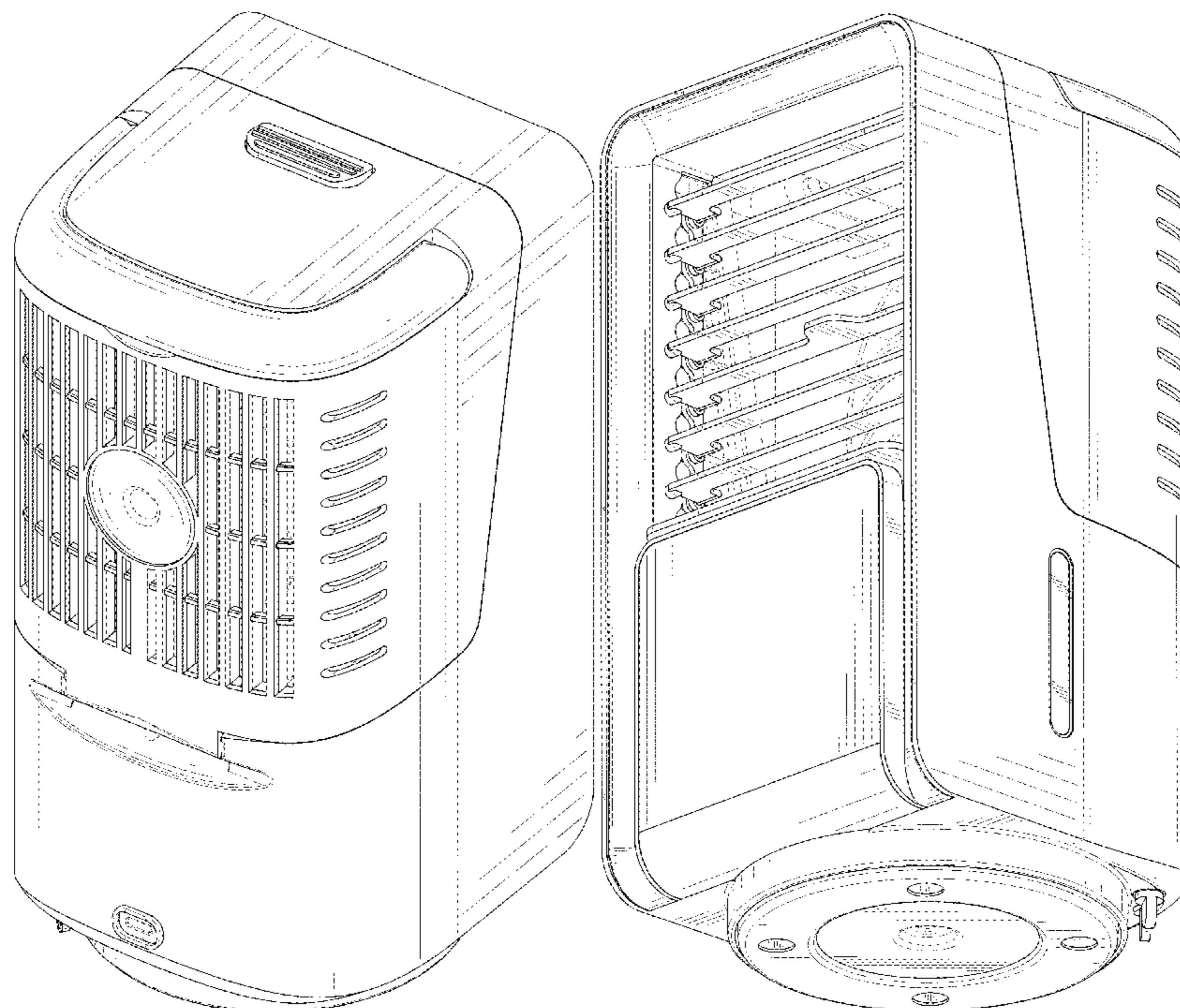
(57) **CLAIM**

The ornamental design for a cooling fan, as shown and described.

**DESCRIPTION**

FIG. 1 is a front and top perspective view of a cooling fan, showing my new design;  
 FIG. 2 is a rear and bottom perspective view thereof;  
 FIG. 3 is a front elevation view thereof;  
 FIG. 4 is a rear elevation view thereof;  
 FIG. 5 is a left side elevation view thereof;  
 FIG. 6 is a right side elevation view thereof;  
 FIG. 7 is a top plan view thereof;  
 FIG. 8 is a bottom plan view thereof; and,  
 FIG. 9 is another perspective view thereof, shown in an alternative position.  
 The broken lines in the figures illustrate portions of the cooling fan that form no part of the claimed design.

**1 Claim, 9 Drawing Sheets**



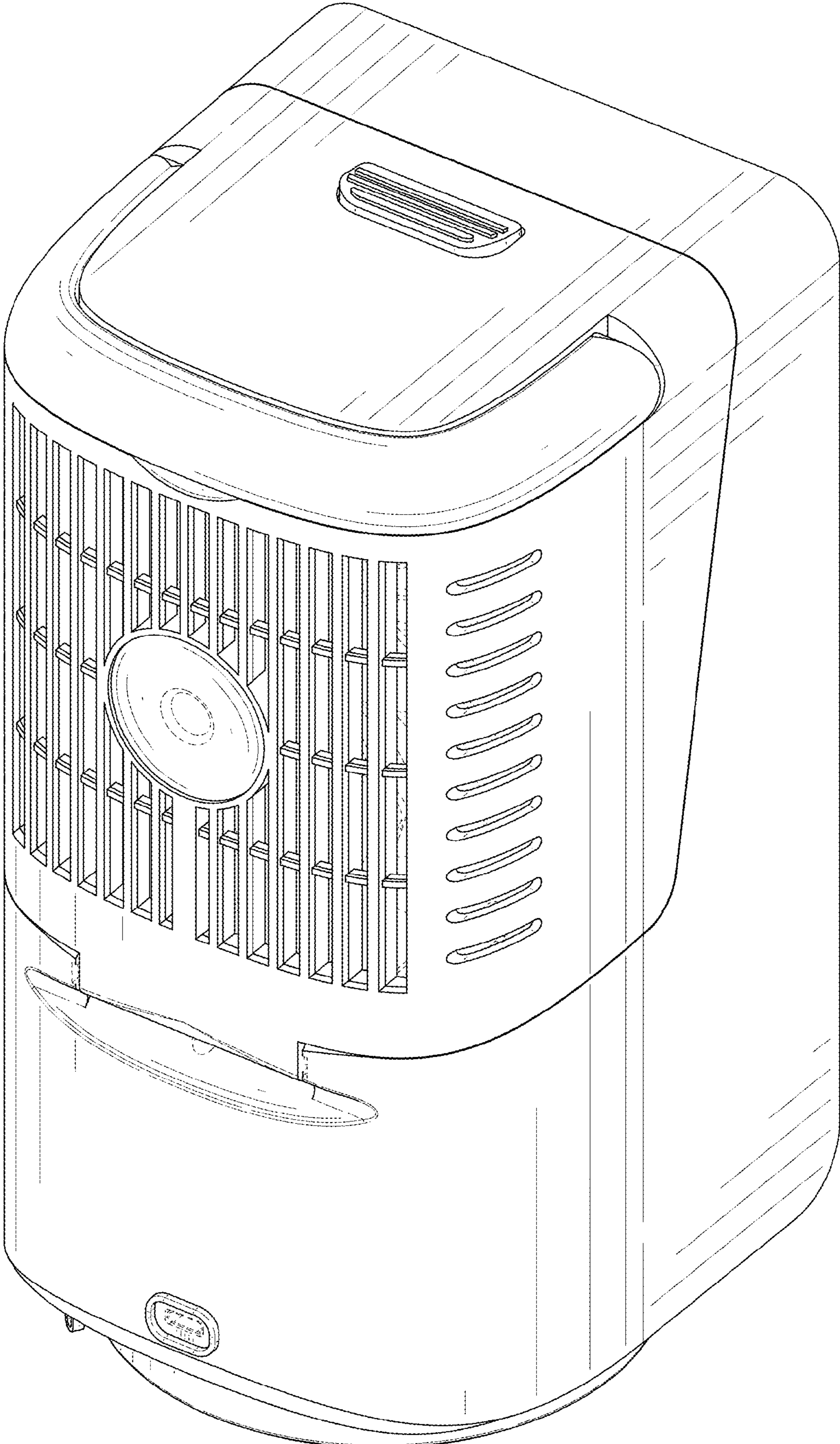


FIG. 1

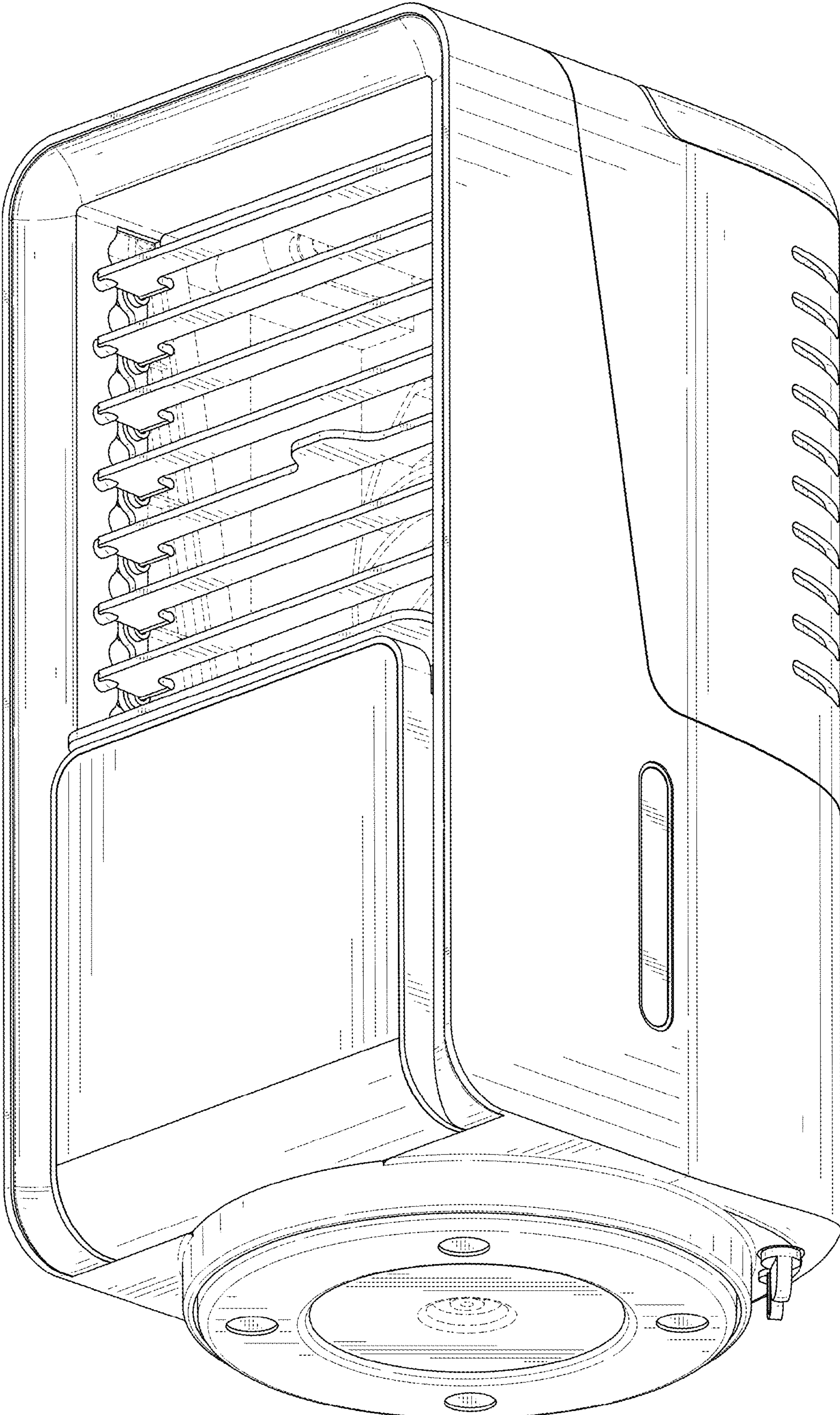


FIG. 2

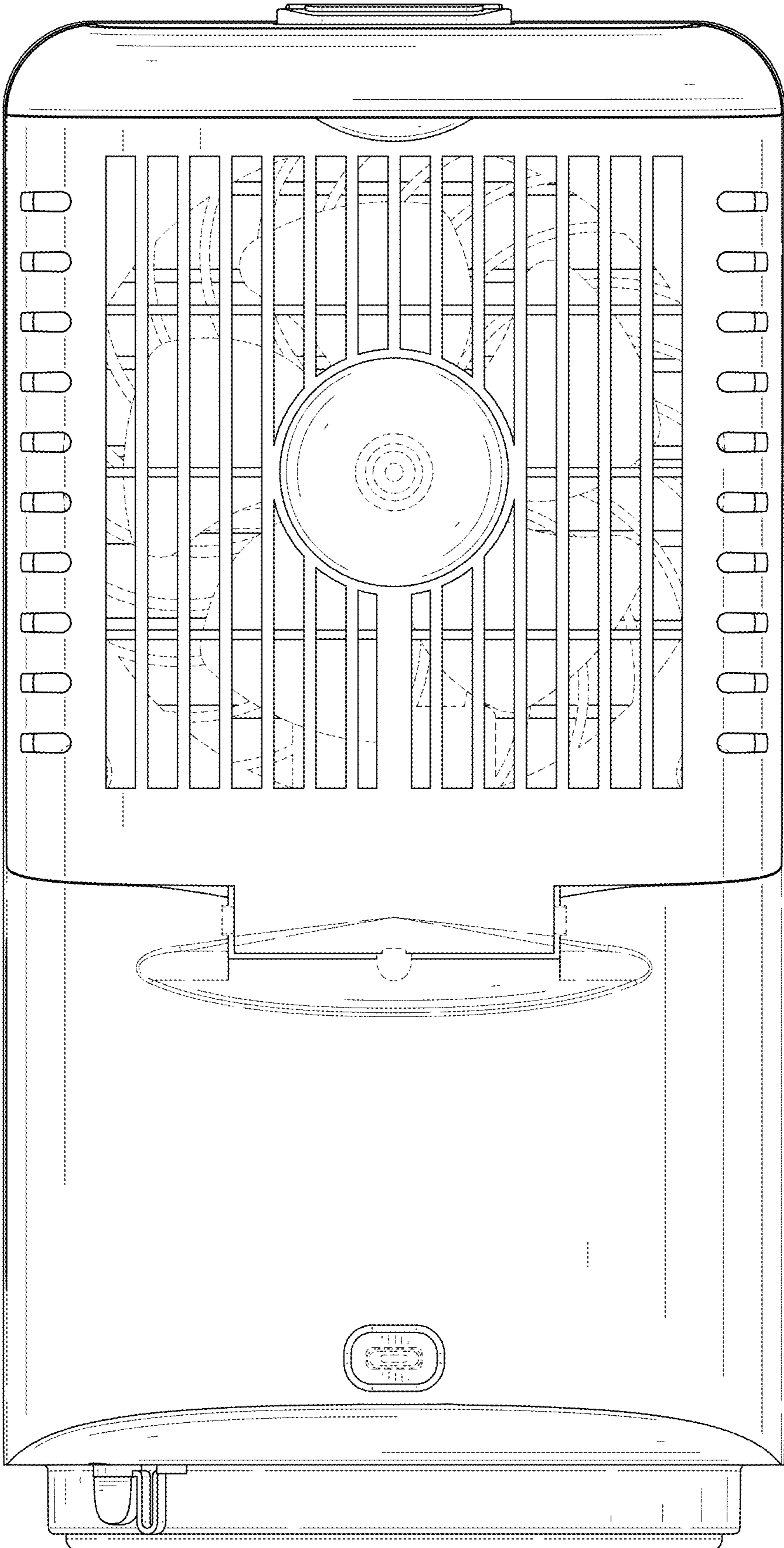


FIG. 3

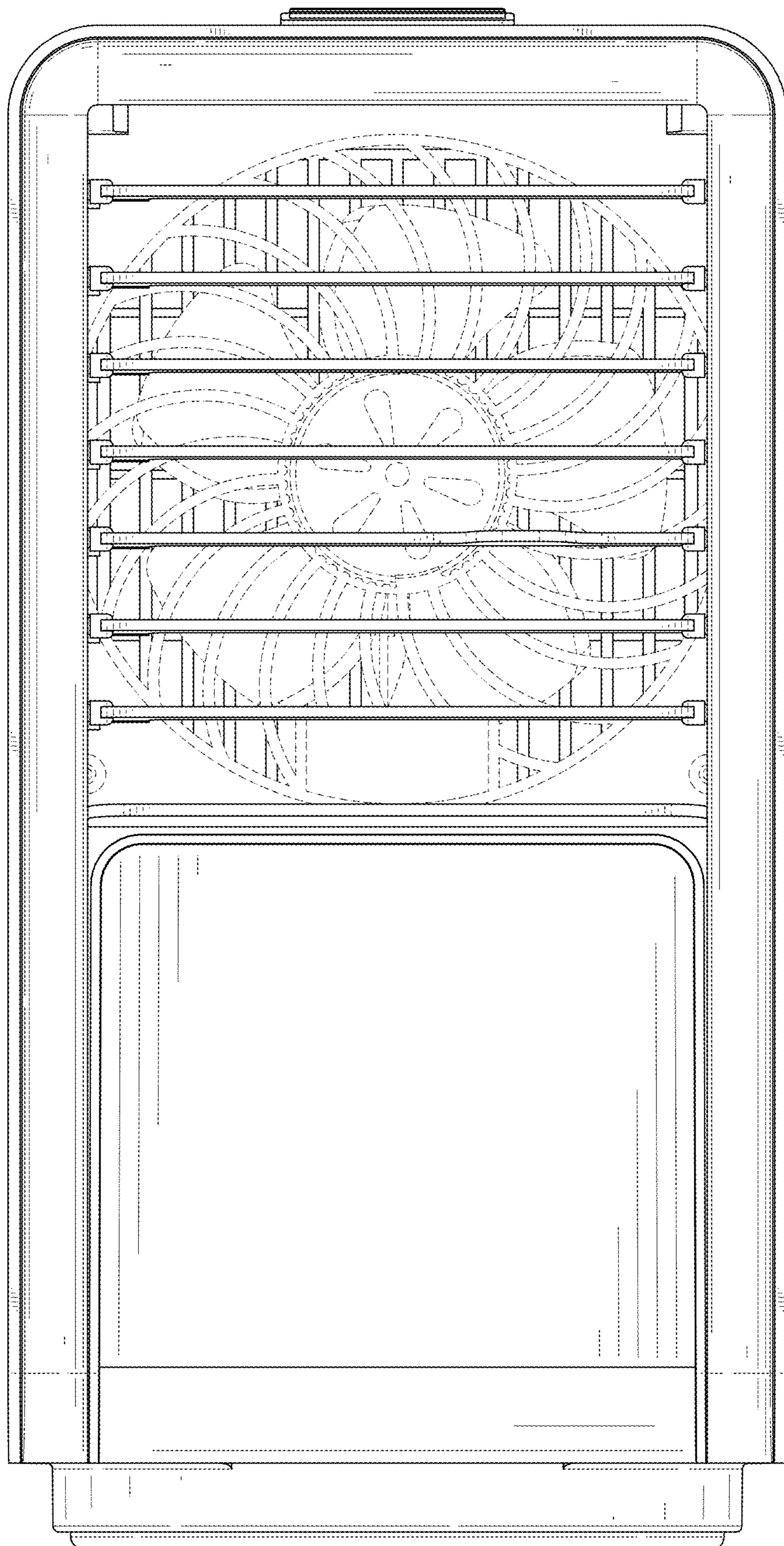


FIG. 4

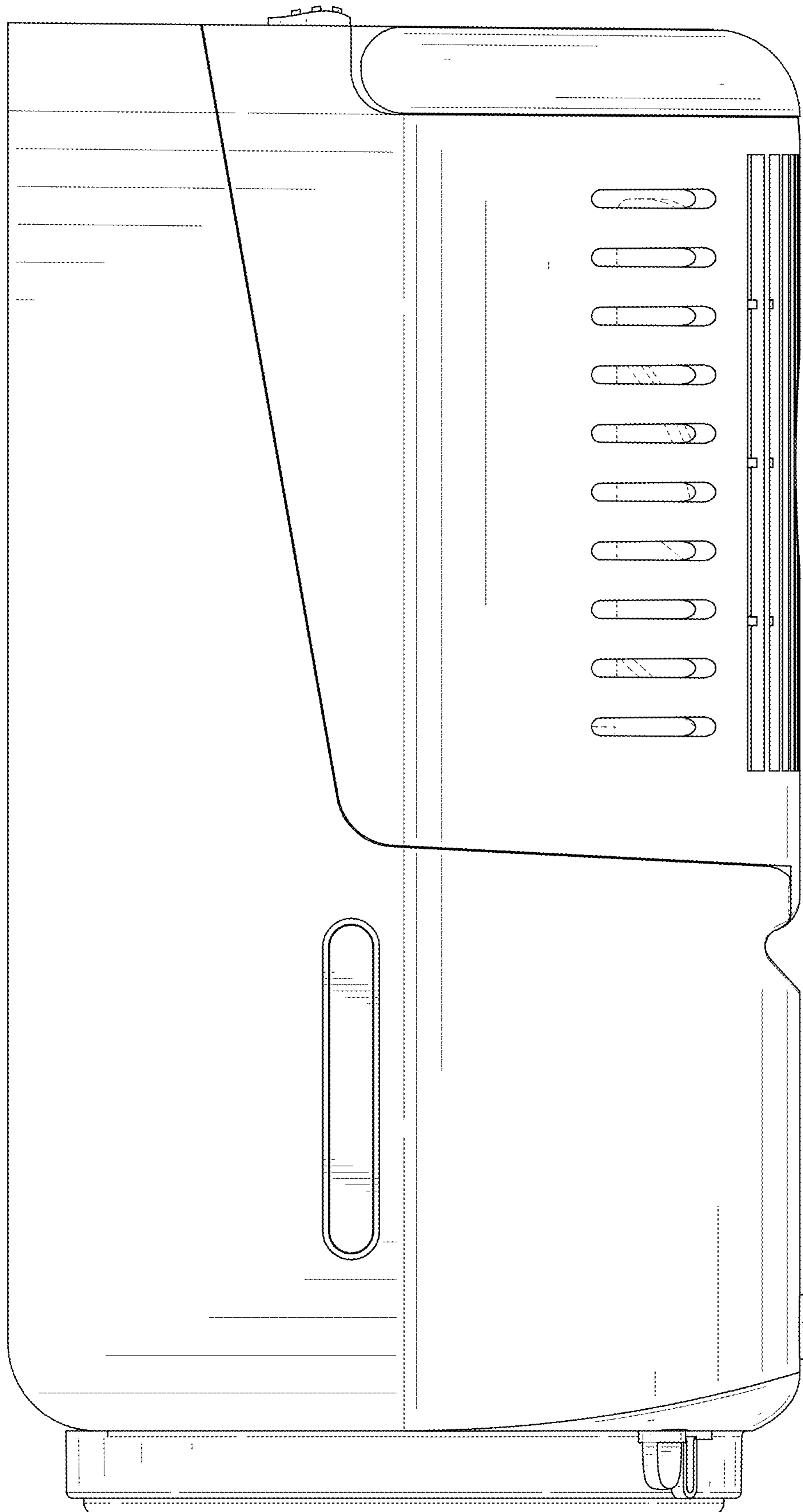


FIG. 5

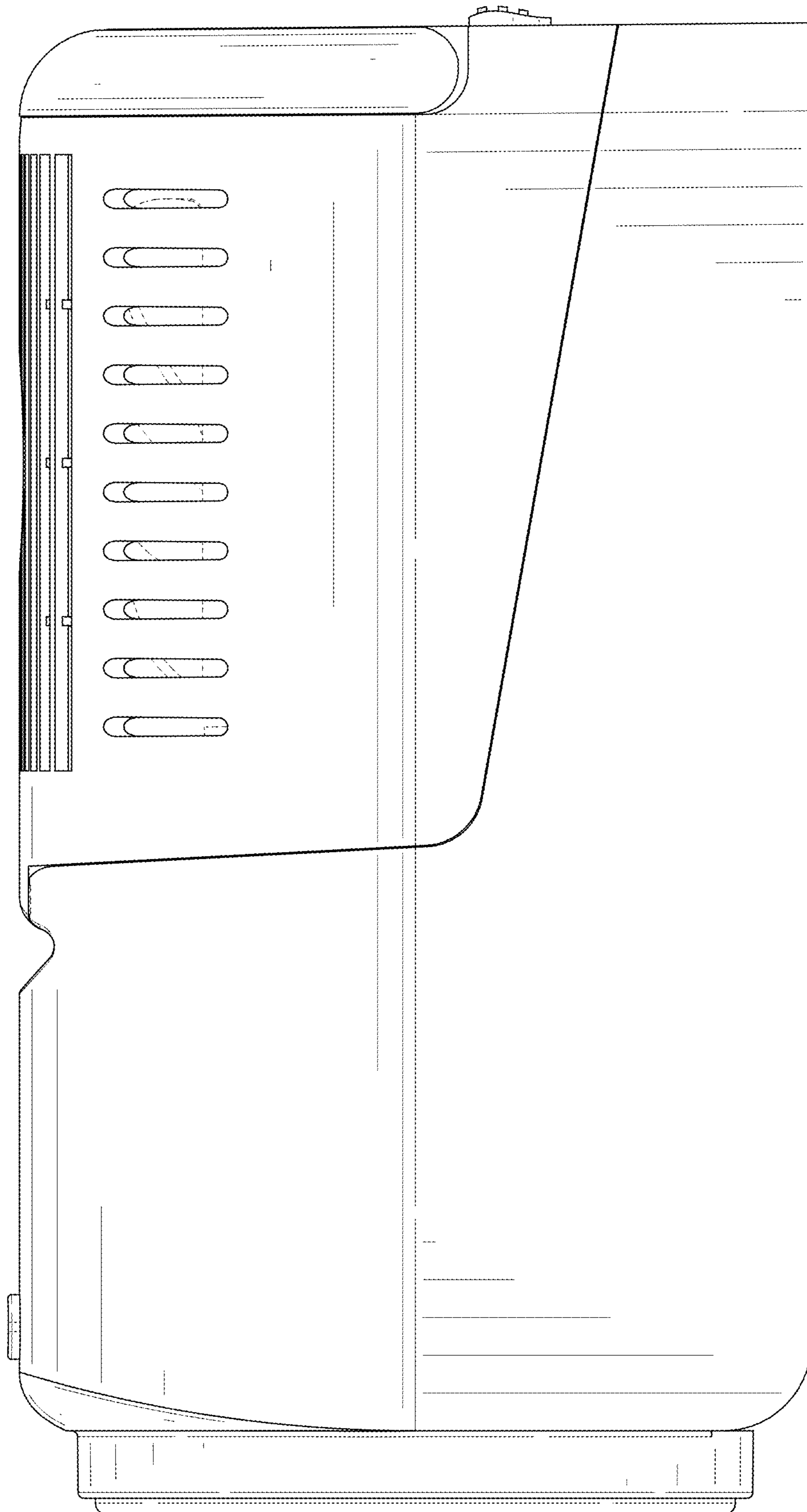


FIG. 6

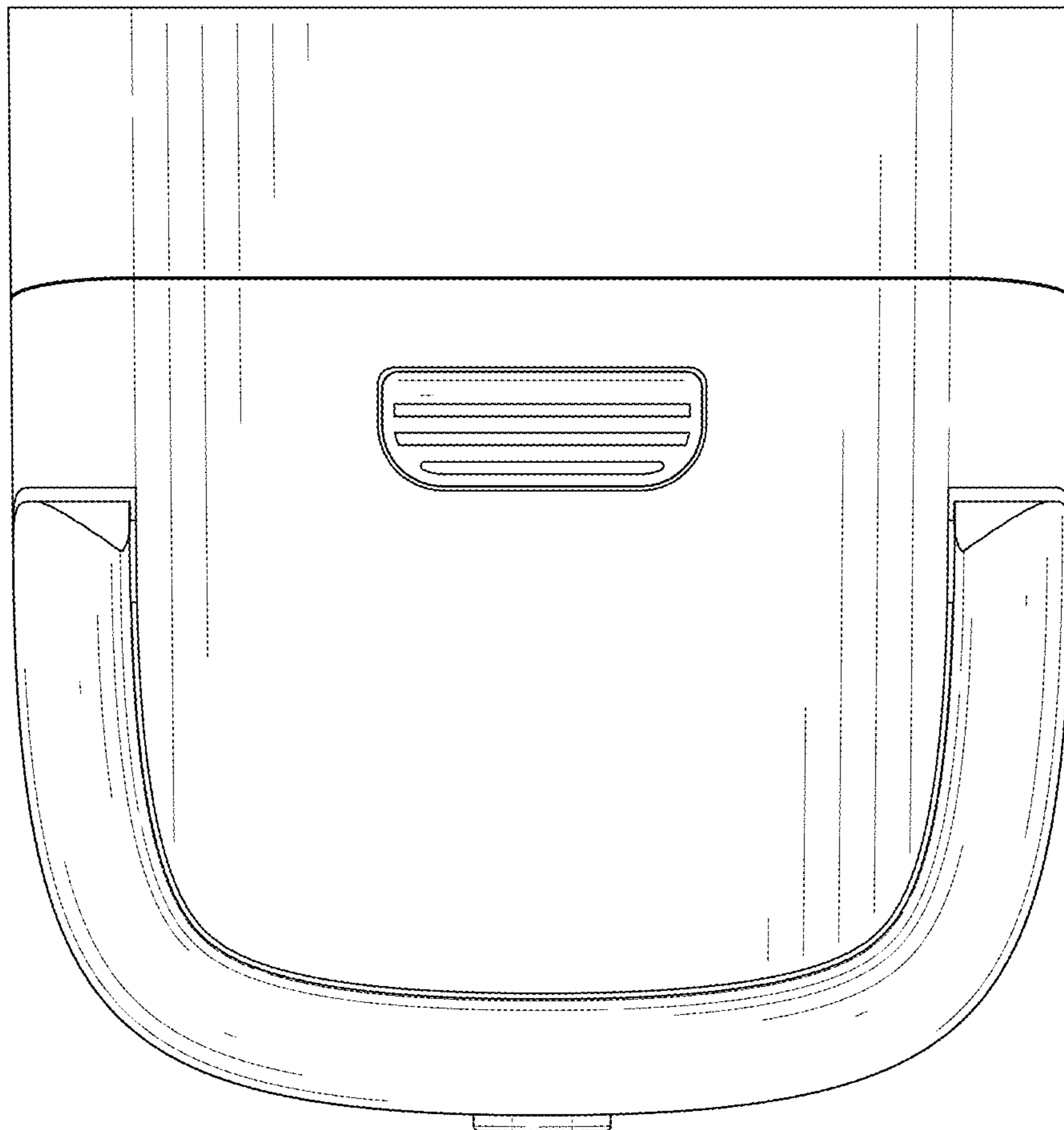


FIG. 7



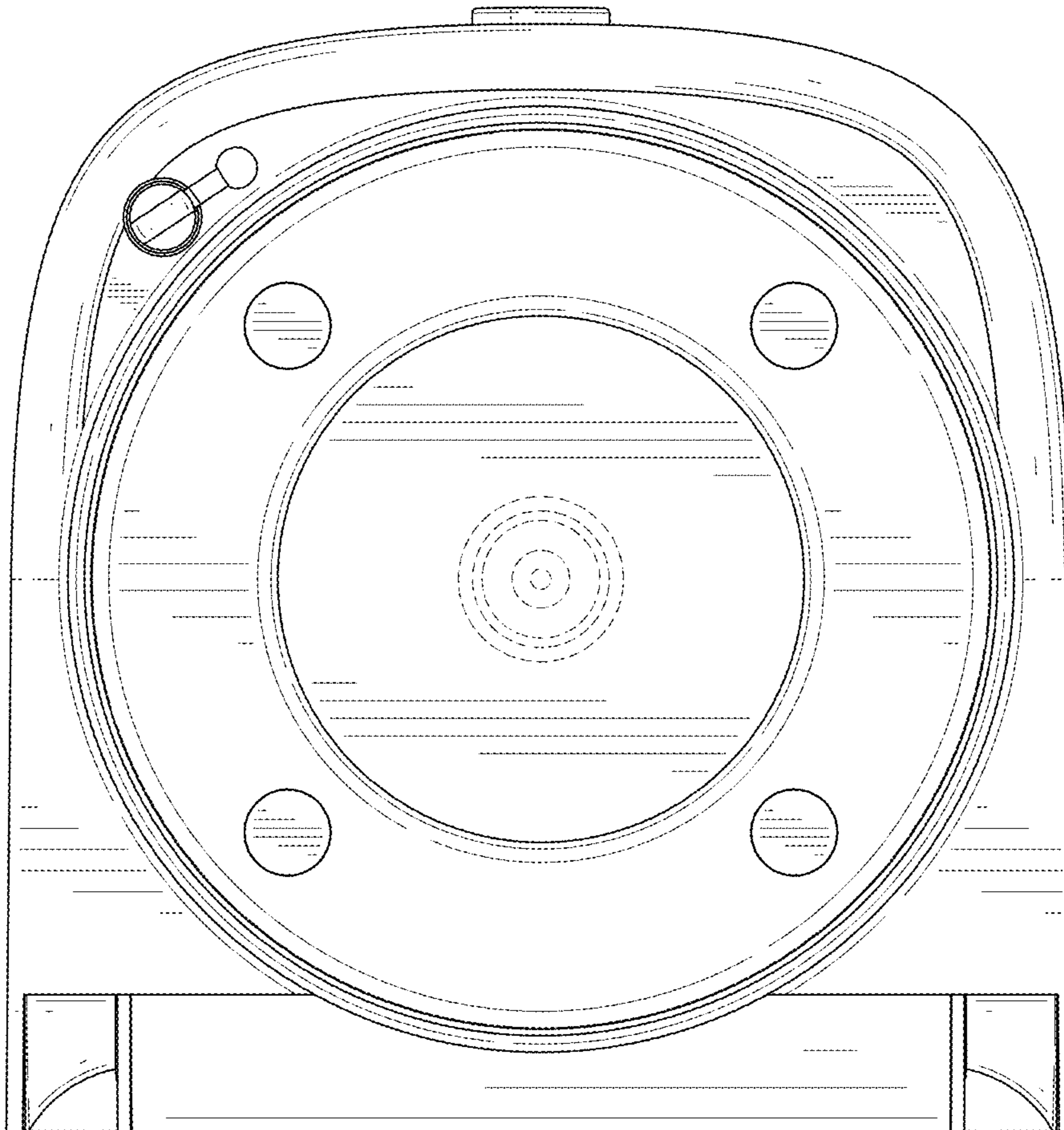


FIG. 8

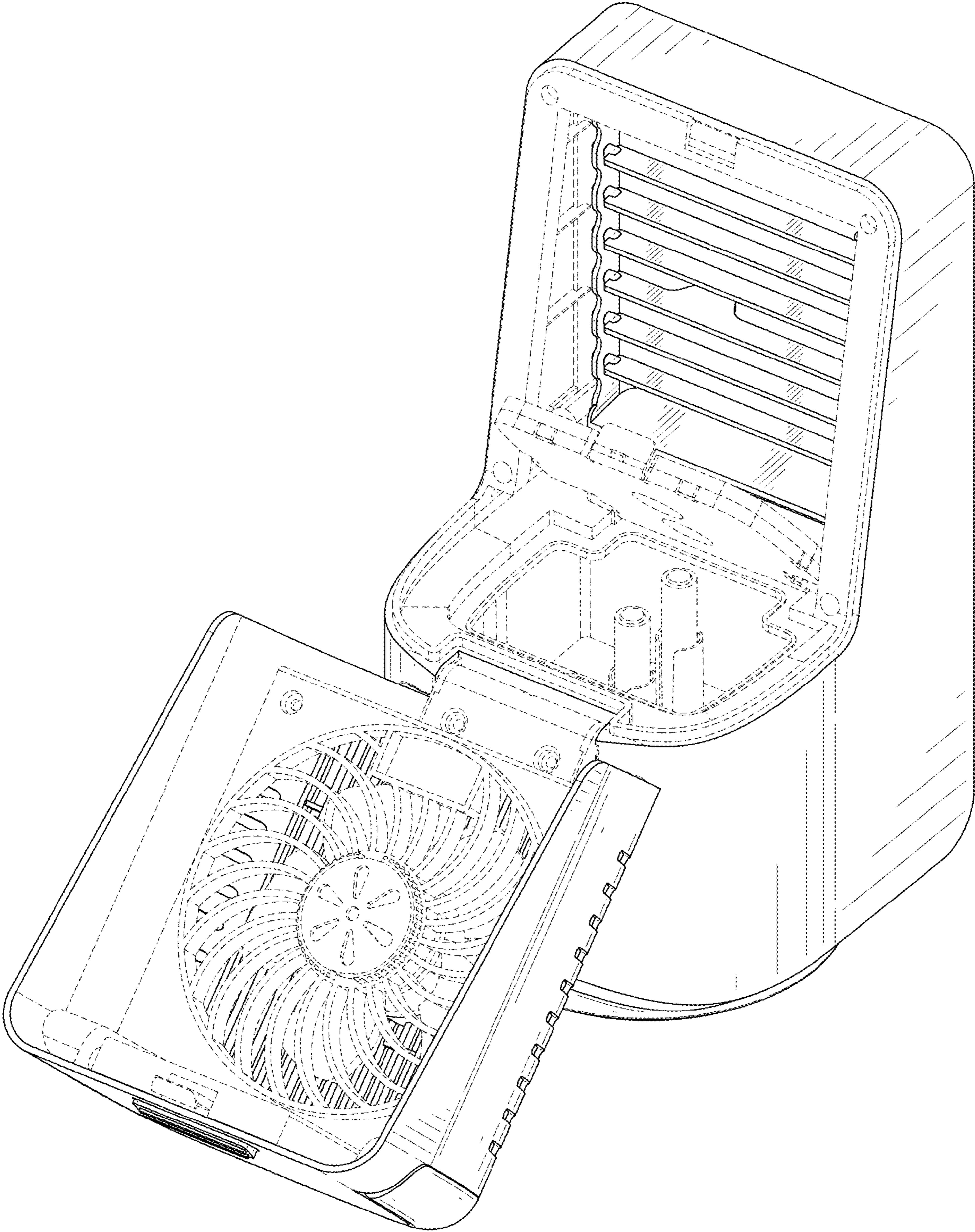


FIG. 9