



US00D987045S

(12) **United States Design Patent**
Cai

(10) **Patent No.:** **US D987,045 S**

(45) **Date of Patent:** **** May 23, 2023**

- (54) **TOILET SEAT FOR CHILDREN**
- (71) Applicant: **Dongli Cai**, Zhejiang (CN)
- (72) Inventor: **Dongli Cai**, Zhejiang (CN)
- (**) Term: **15 Years**

- D918,354 S * 5/2021 Xu D23/296
- D976,375 S * 1/2023 Jin D23/296
- D976,376 S * 1/2023 Jin D23/296
- D977,078 S * 1/2023 Chen D23/309
- D978,300 S * 2/2023 He D23/296

(Continued)

- (21) Appl. No.: **29/883,694**
- (22) Filed: **Feb. 2, 2023**

FOREIGN PATENT DOCUMENTS

WO WO-2015142413 A1 * 9/2015 A47K 11/04

(30) **Foreign Application Priority Data**

Jan. 18, 2023 (EM) 15009277-0001

- (51) **LOC (14) Cl.** **23-02**
- (52) **U.S. Cl.**
USPC **D23/311**
- (58) **Field of Classification Search**
USPC D23/296-297, 299, 301, 309-311, 304;
D6/339, 259, 708.19; D25/63-64, 69;
D8/310
See application file for complete search history.

OTHER PUBLICATIONS

Potty Training Toilet Seat with Step Stool Ladder for Kids and Baby. <https://www.amazon.com/Training-Adjustable-Toddler-Anti-Cold-Non-Slip/dp/B07NZV9M2Y?th=1> (Year: 2019).*

(Continued)

Primary Examiner — Robert A Delehanty
(74) *Attorney, Agent, or Firm* — Kunzler Bean & Adamson, PC; Michael Bartholomew

(56) **References Cited**

U.S. PATENT DOCUMENTS

- D276,361 S * 11/1984 Hyman, Sr. D23/297
- D284,023 S * 5/1986 Lipski D23/296
- D310,869 S 9/1990 Sedlack
- D326,316 S * 5/1992 Zhang D23/312
- D343,891 S * 2/1994 Kessler D23/297
- D486,000 S * 2/2004 Bourget D6/359
- 6,829,788 B1 * 12/2004 Allen A47K 11/06
4/483
- D549,905 S * 8/2007 Bobrosky D32/34
- D570,461 S 6/2008 Desnos-Simon
- D594,564 S * 6/2009 Disch D25/69
- 8,256,035 B1 * 9/2012 Eguchi A47K 13/105
4/246.1
- D680,782 S * 4/2013 Longo D23/304
- D879,926 S * 3/2020 Hu D23/309
- D904,584 S * 12/2020 Stroikov D23/296

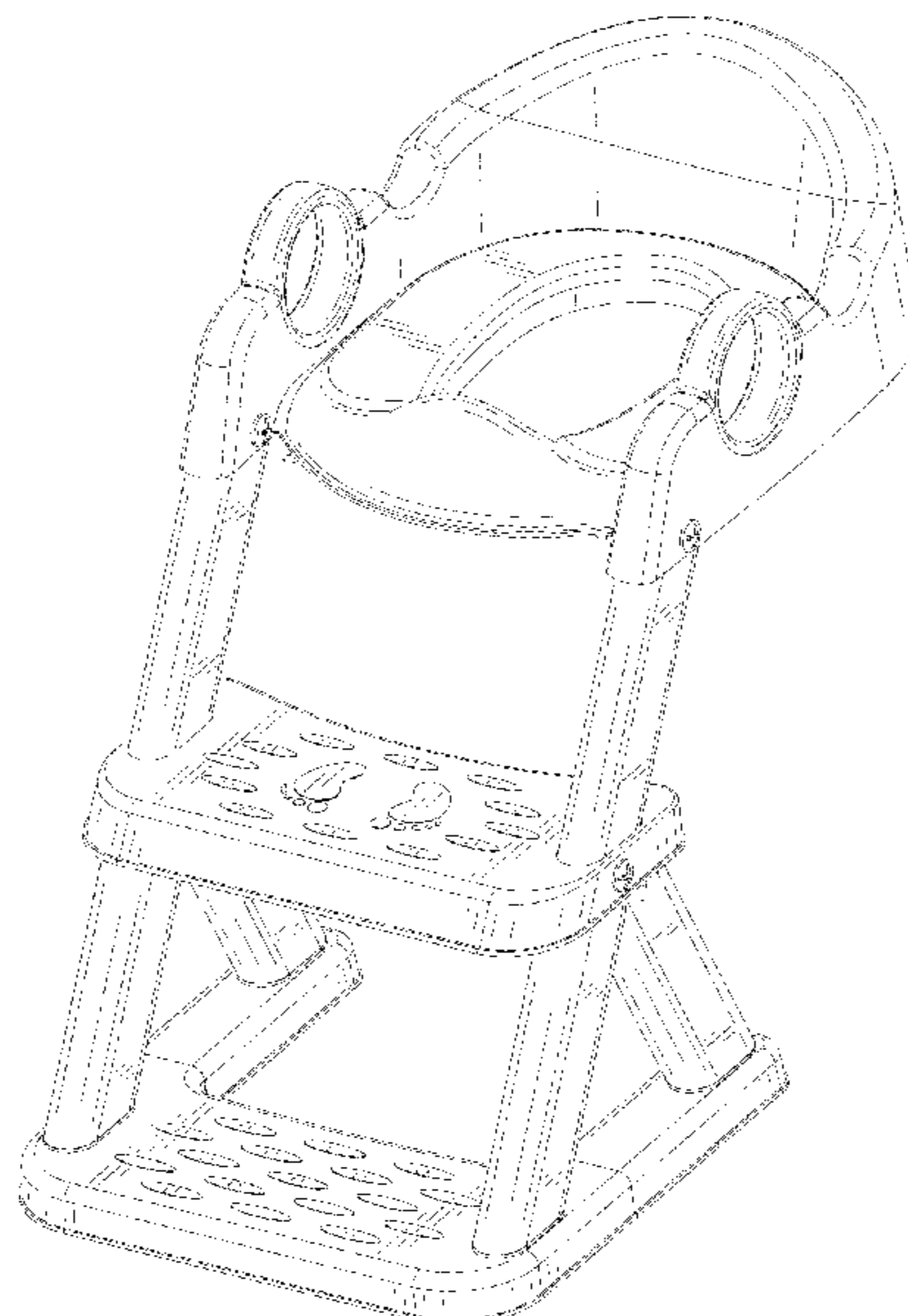
(57) **CLAIM**

The ornamental design for a toilet seat for children, as shown and described.

DESCRIPTION

FIG. 1 is a front, right and top perspective view of a toilet seat for children, showing my design.
FIG. 2 is a rear, left and bottom perspective view thereof.
FIG. 3 is a front elevation view thereof.
FIG. 4 is a rear elevation view thereof.
FIG. 5 is a left side elevation view thereof.
FIG. 6 is a right side elevation view thereof.
FIG. 7 is a top plan view thereof; and,
FIG. 8 is a bottom plan view thereof.
The broken lines depict portions of the toilet seat for children that form no part of the claimed design.

1 Claim, 8 Drawing Sheets



(56)

References Cited

U.S. PATENT DOCUMENTS

D978,301 S * 2/2023 Wang D23/296
2015/0265109 A1* 9/2015 Capraro A47K 11/06
4/239
2021/0353115 A1* 11/2021 Yang A47C 12/00

OTHER PUBLICATIONS

Kylinton® Potty Training Toilet Seat with Step Stool Ladder:
<https://www.amazon.com/Kylinton-Potty-Training-Ladder-BEAR-GREY/dp/B0BVY85FVV?th=1> (Year: 2022).*

* cited by examiner

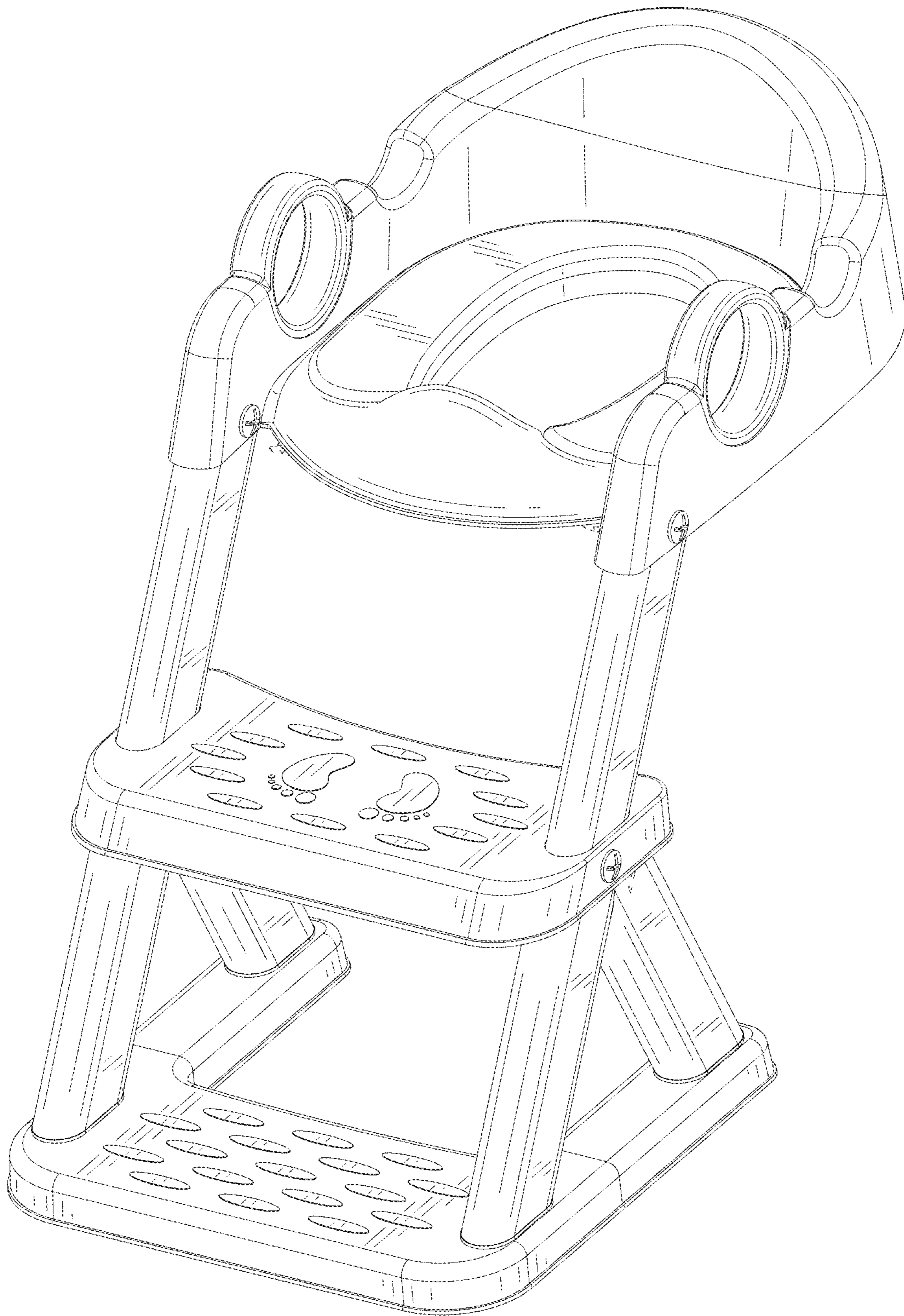


FIG. 1

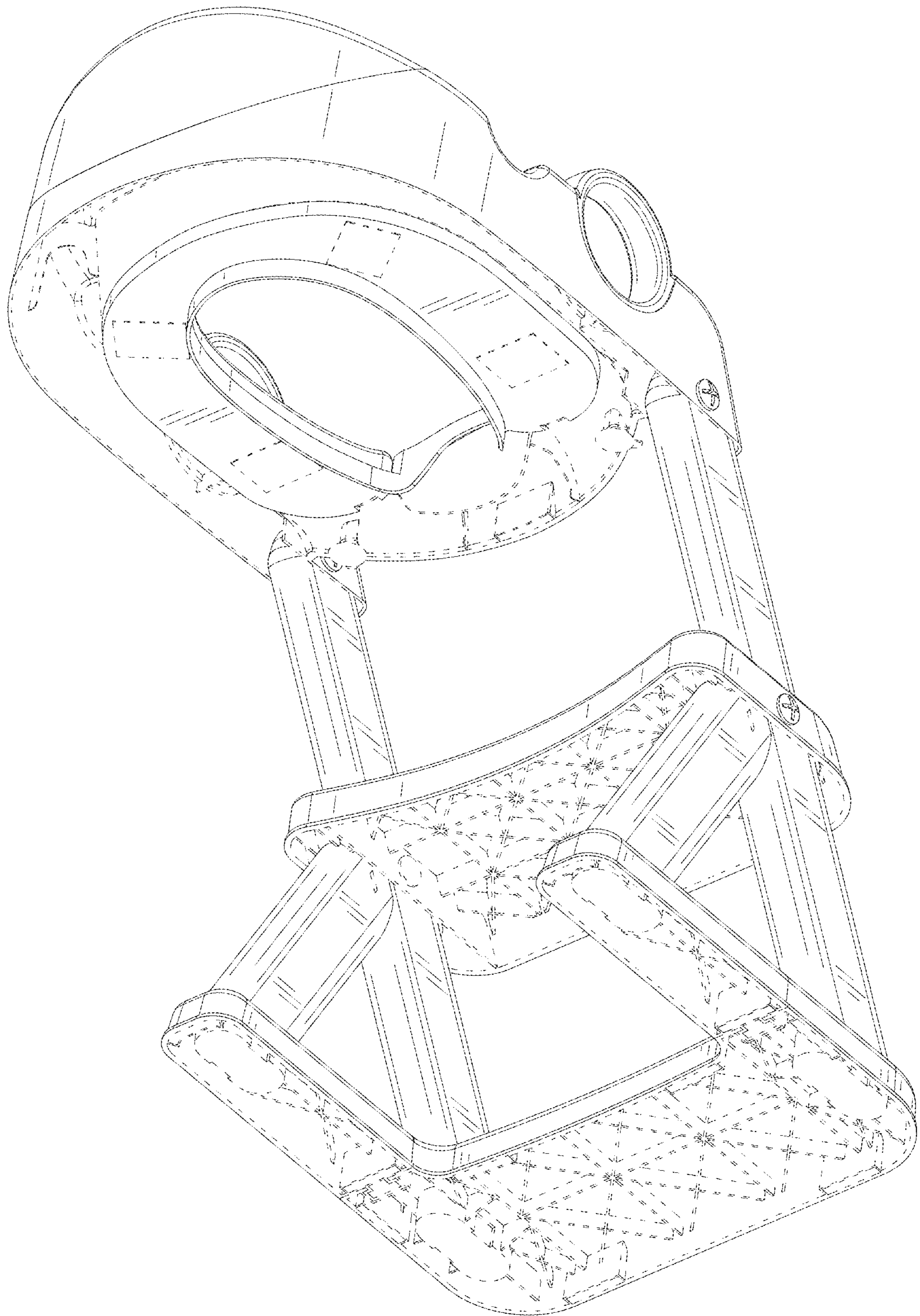


FIG. 2

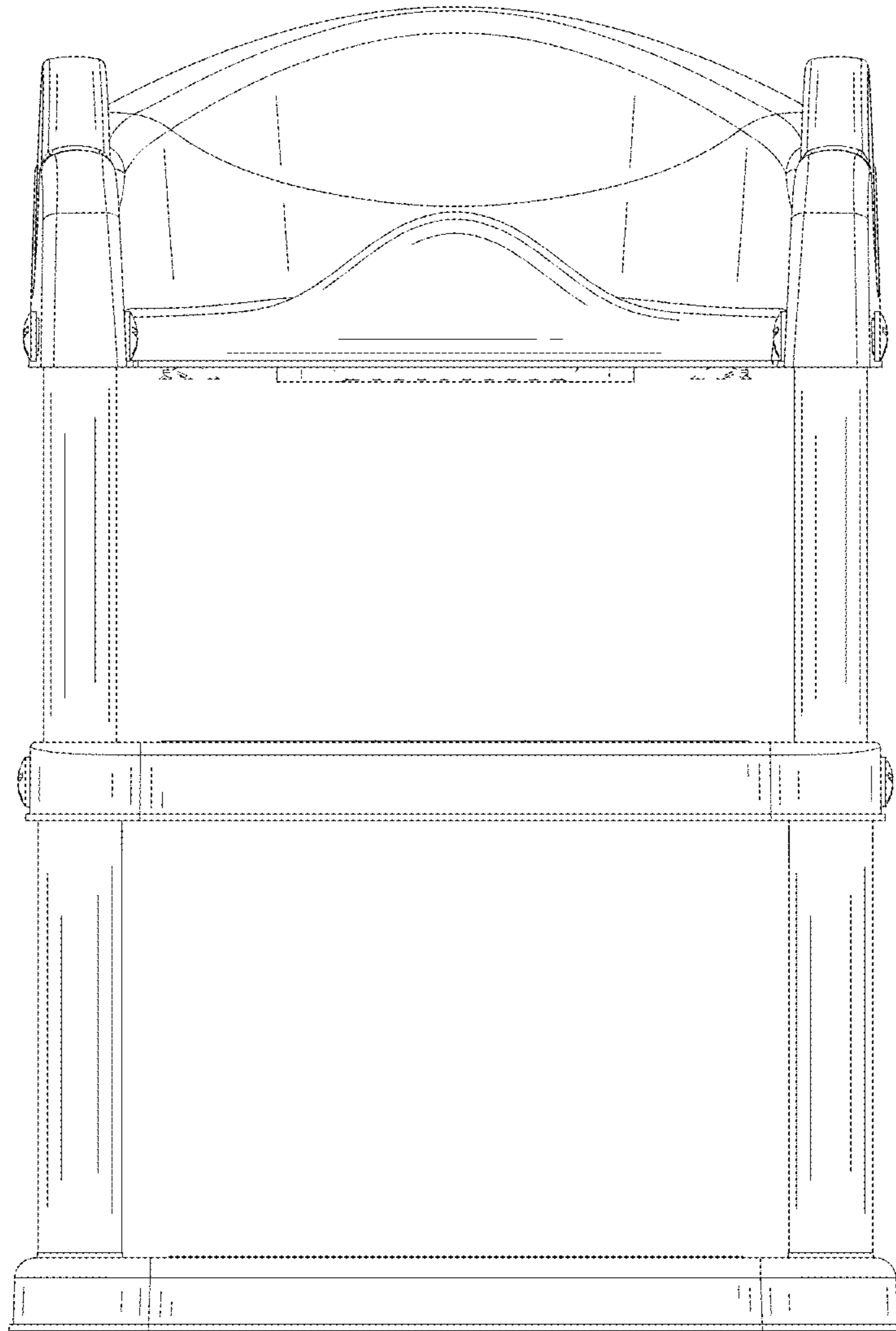


FIG. 3

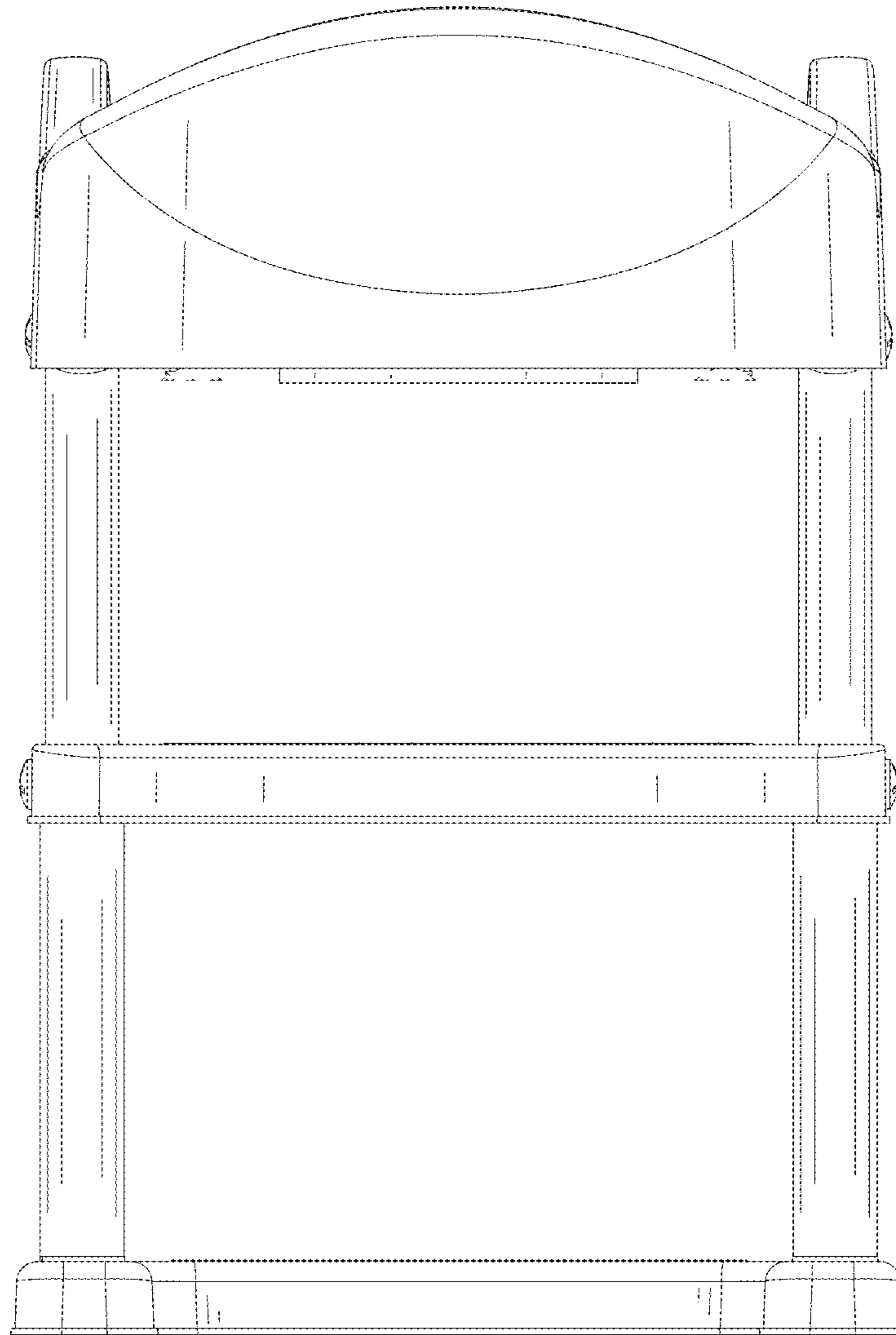


FIG. 4

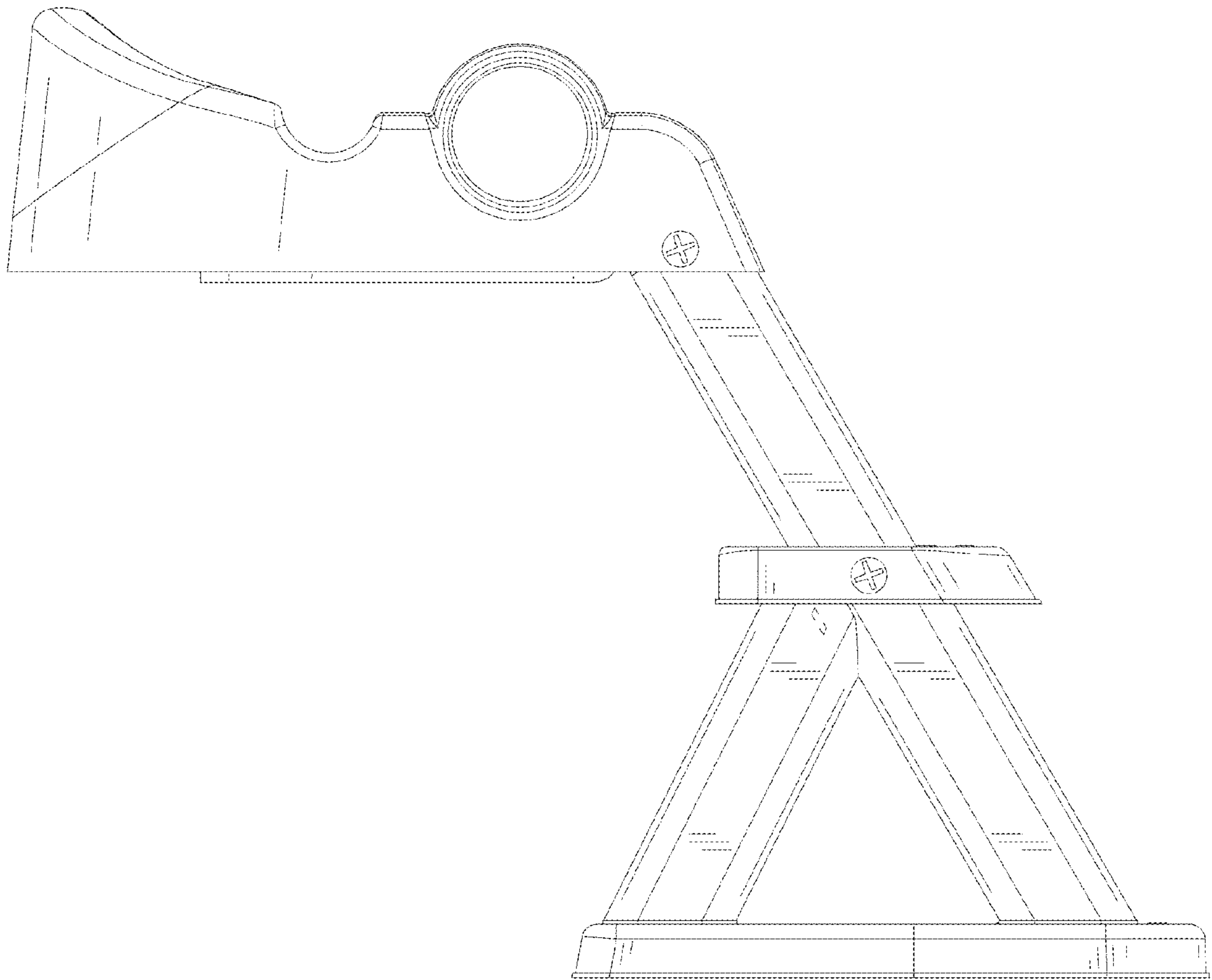


FIG. 5

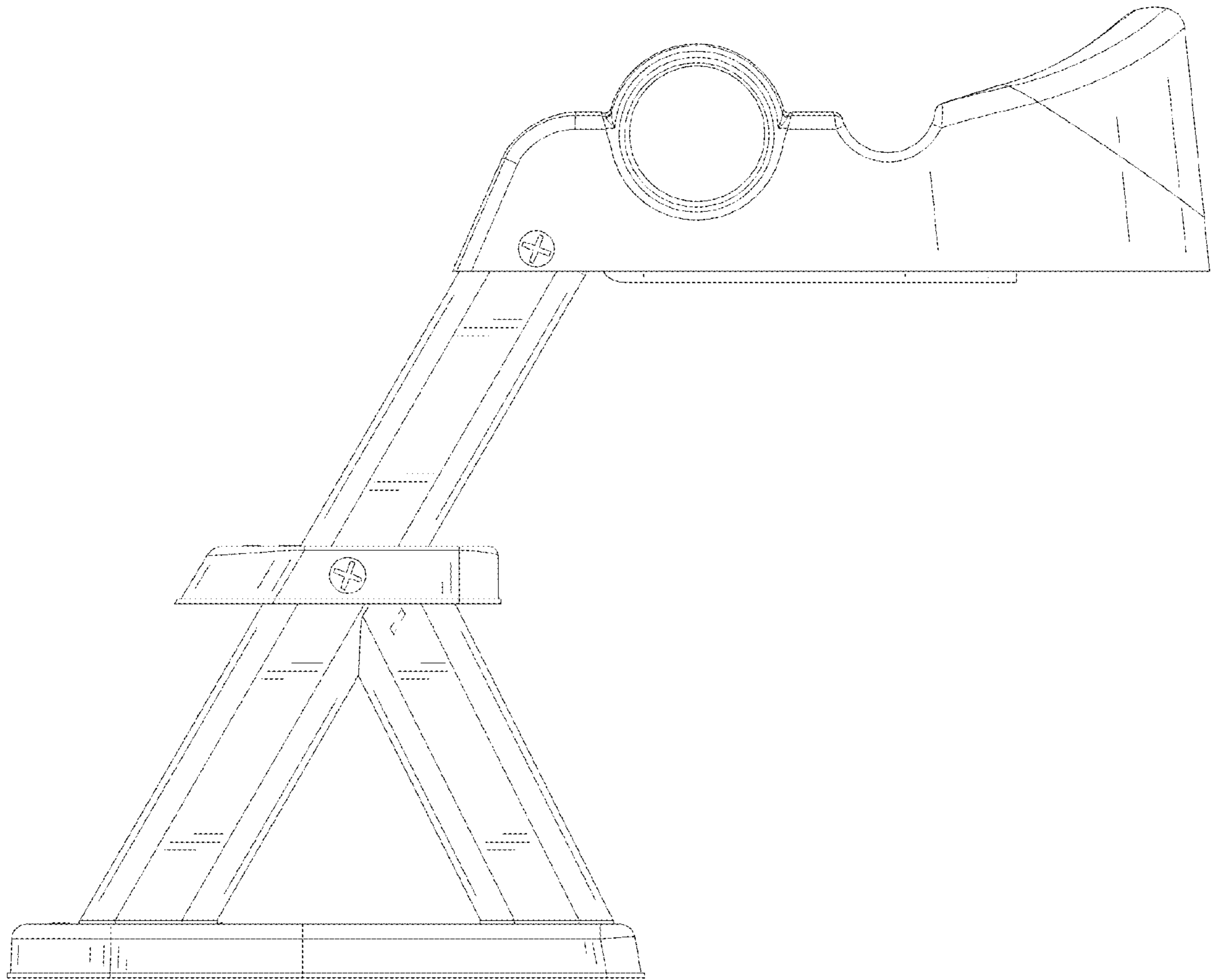


FIG. 6

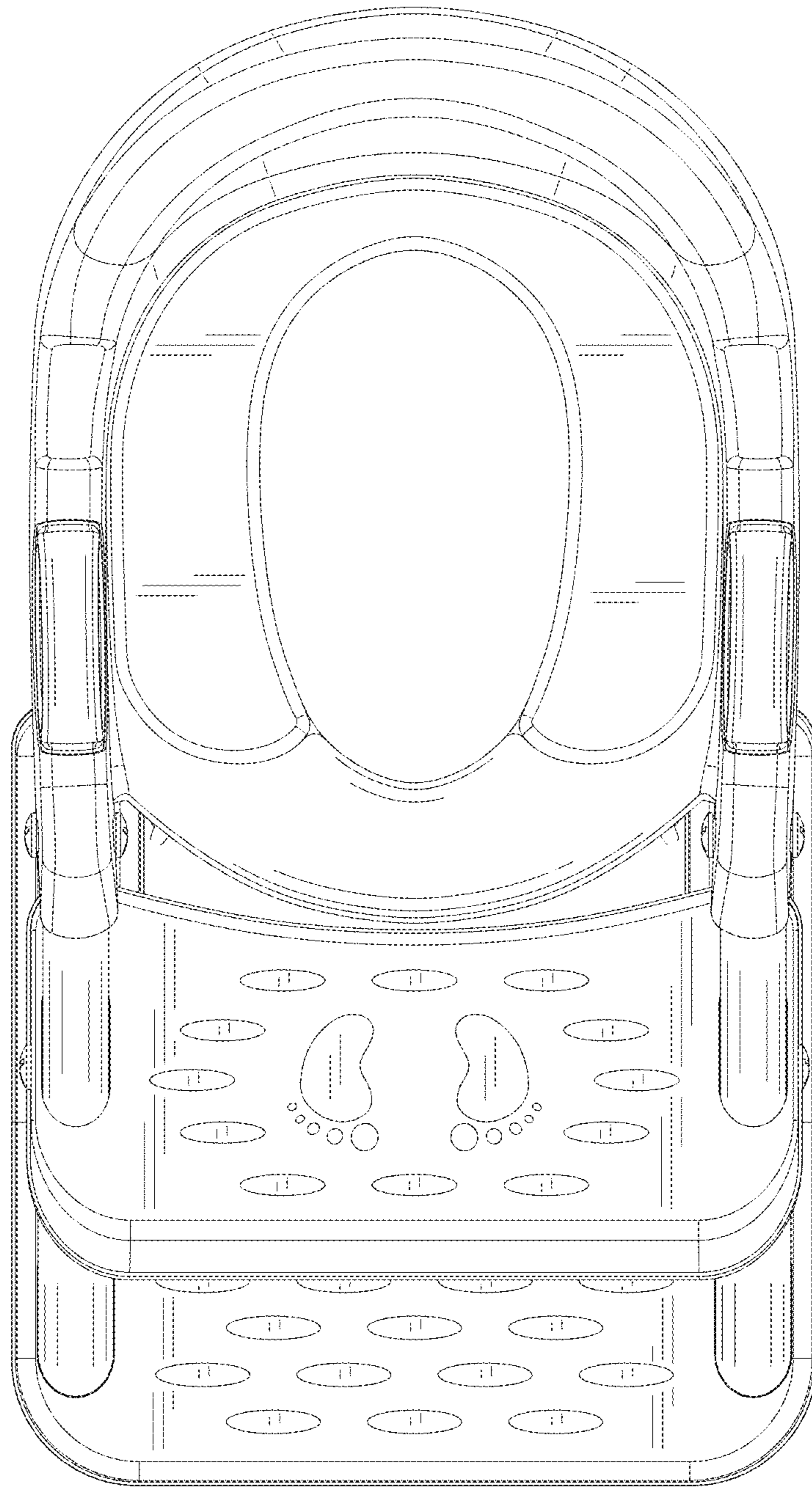


FIG. 7

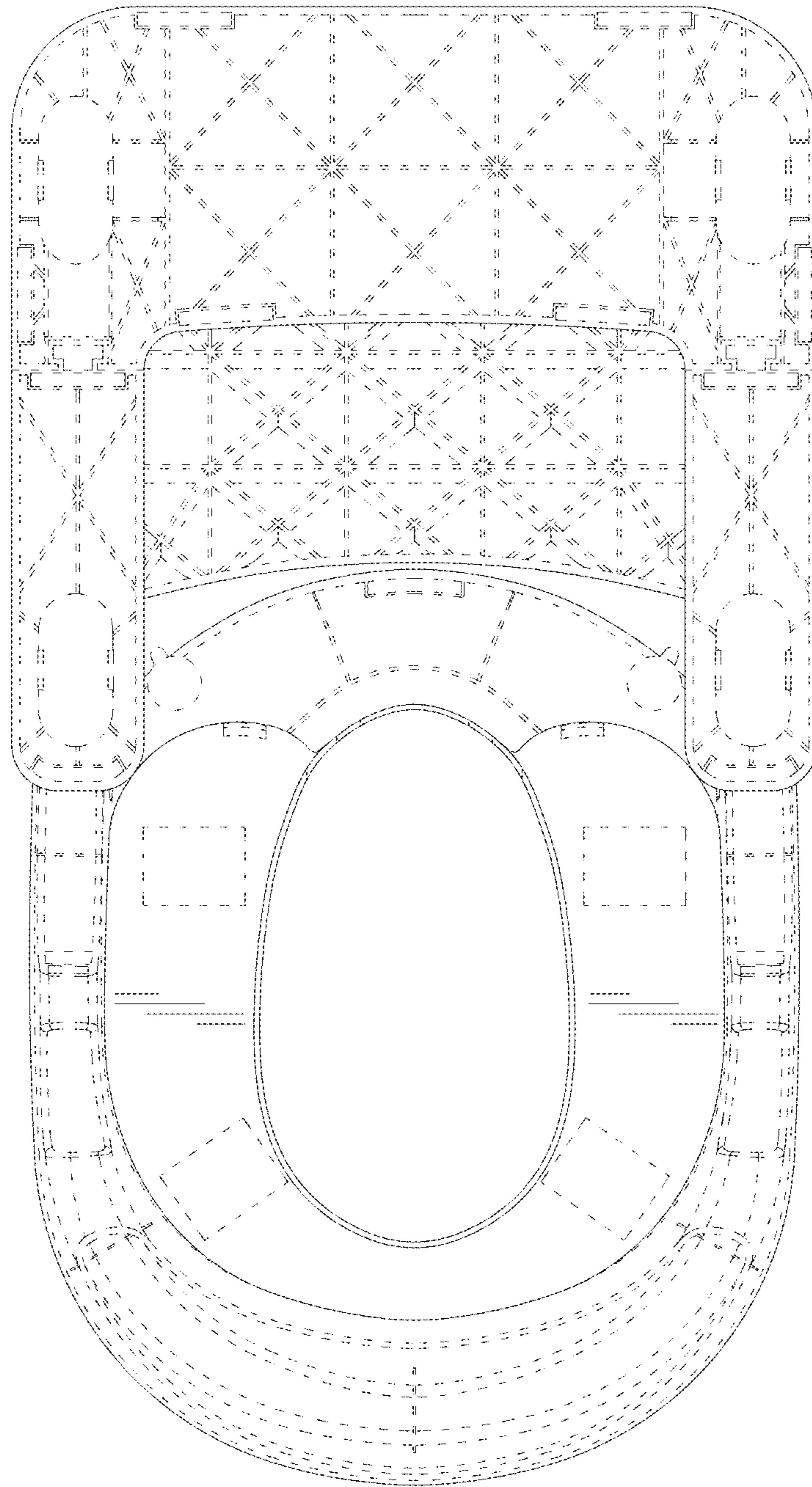


FIG. 8