



US00D987044S

(12) **United States Design Patent** (10) **Patent No.:** **US D987,044 S**  
**Downey** (45) **Date of Patent:** **\*\* May 23, 2023**

(54) **HOSE FITTING**

(71) Applicant: **Brunswick Corporation**, Mettawa, IL (US)

(72) Inventor: **Kevin T. Downey**, Rockford, MI (US)

(73) Assignee: **Brunswick Corporation**, Mettawa, IL (US)

(\*\*) Term: **15 Years**

(21) Appl. No.: **29/802,136**

(22) Filed: **Aug. 3, 2021**

(51) **LOC (14) Cl.** ..... **23-07**

(52) **U.S. Cl.**  
USPC ..... **D23/259**

(58) **Field of Classification Search**  
USPC ..... D23/23, 213, 223, 229, 233, 249,  
D23/259-269, 365, 386, 387, 388, 397;  
D8/354, 382, 396; D7/312, 313, 619.1;  
D24/112, 129; D9/453, 516

CPC ... F16L 1/00; F16L 1/036; F16L 11/00; F16L 11/122; F16L 13/00; F16L 13/002; F16L 13/146; F16L 15/00; F16L 23/00; F16L 23/14; F16L 23/0283; F16L 25/0009; F16L 37/00; F16L 41/00; F16L 41/02; F16L 41/025; F16L 43/00; F16L 47/26; F16L 47/32; F16L 17/00; F16L 17/02; F16L 17/025; F16L 17/035; F16L 17/06; F16L 17/063; F16L 17/067; F16L 17/073; F16L 17/08; F16L 21/00; F16L 21/022; F16L 33/2076; F16L 35/005; A47L 9/02; A47L 9/0416; A61M 39/00; A61M 39/223; F16B 2/00; F16B 2/08; F16B 7/00; F16B 7/04; F16B 7/0486; F16B 7/0493; F16B 2012/103; F16B 12/40; F16B 21/00; F16B 21/02; F16B 23/00; F16B 23/0015; F16B 23/0046; F16B 35/00; F16B 35/044; F16B 37/00; F21V 35/00; G09B 25/04

See application file for complete search history.

(56) **References Cited**

U.S. PATENT DOCUMENTS

1,551,893 A \* 9/1925 McDonald ..... F16L 35/005  
138/131  
1,733,262 A \* 10/1929 Higby ..... F16L 35/005  
137/379  
4,228,823 A \* 10/1980 Zepeda ..... F16L 35/005  
138/96 T  
D300,361 S \* 3/1989 Tokarz ..... D24/129  
(Continued)

OTHER PUBLICATIONS

Leisure Pro, "XS Scuba Hose Hook," Screen shots from [https://www.leisurepro.com/p-xssh/xs-scuba-hose-hook?gclid=EAiaIQobChMI1s\\_B2smz8QIVf21vBB3mvwLrEAQYCyABEgLjsPD\\_BwE&gclidsrc=aw.ds](https://www.leisurepro.com/p-xssh/xs-scuba-hose-hook?gclid=EAiaIQobChMI1s_B2smz8QIVf21vBB3mvwLrEAQYCyABEgLjsPD_BwE&gclidsrc=aw.ds), accessed Jul. 20, 2021.

(Continued)

*Primary Examiner* — Gino Colan  
*Assistant Examiner* — David Obrien  
(74) *Attorney, Agent, or Firm* — Andrus Intellectual Property Law, LLP

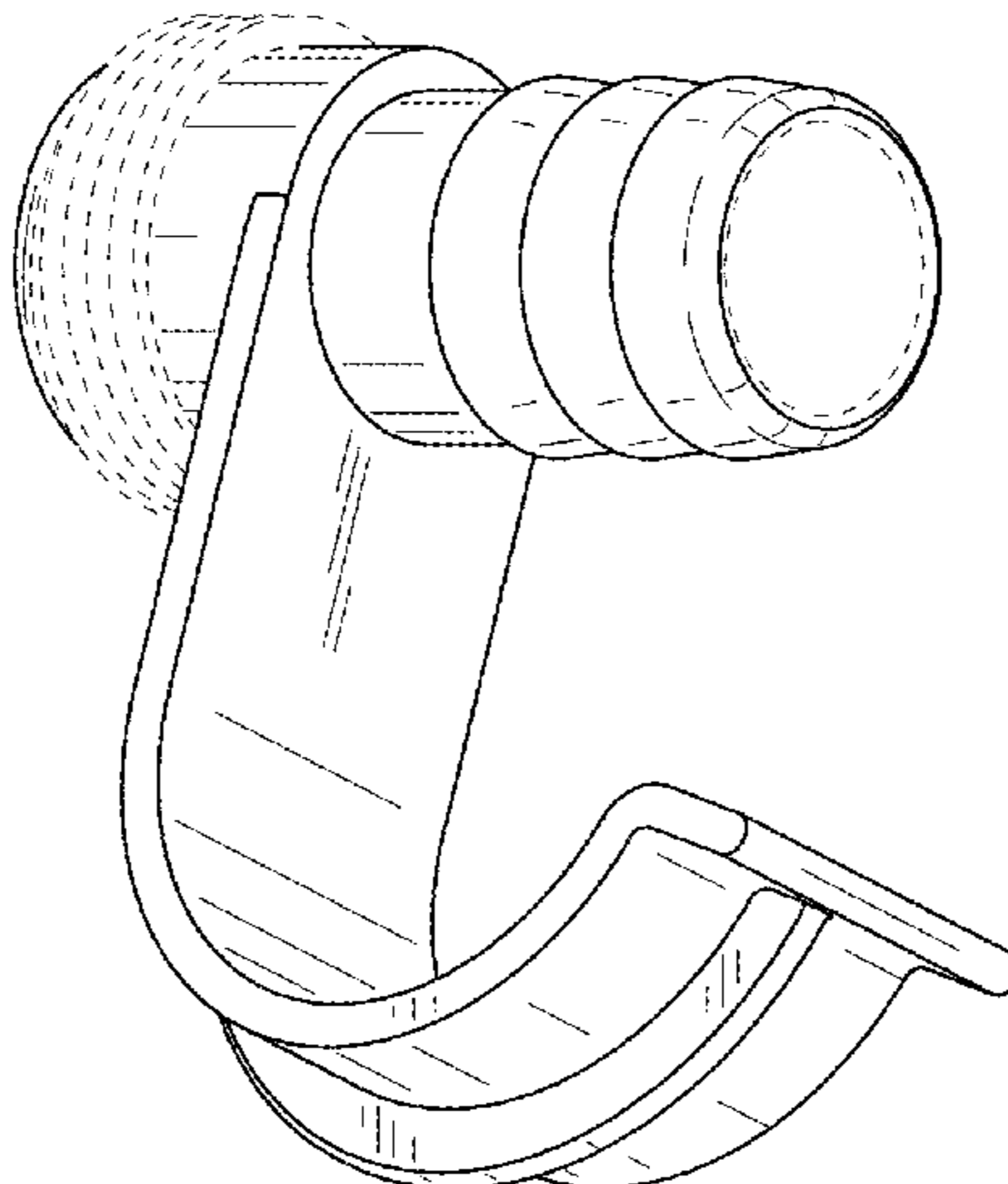
(57) **CLAIM**

The ornamental design for a hose fitting, as shown and described.

**DESCRIPTION**

FIG. 1 is a rear perspective view of a hose fitting according to my new and ornamental design;  
FIG. 2 is a front perspective view thereof;  
FIG. 3 is a rear elevation view thereof;  
FIG. 4 is a front elevation view thereof;  
FIG. 5 is a right side elevation view thereof;  
FIG. 6 is a left side elevation view thereof;  
FIG. 7 is a top plan view thereof; and,  
FIG. 8 is a bottom plan view thereof.

(Continued)



The broken lines illustrate portions of the hose fitting that form no part of the claimed design.

**1 Claim, 5 Drawing Sheets**

(56)

**References Cited**

U.S. PATENT DOCUMENTS

D333,179 S \* 2/1993 Mikiya ..... D23/262  
D356,146 S \* 3/1995 Palmaymesa ..... D23/261  
D733,841 S \* 7/2015 Uscinski ..... D23/259

OTHER PUBLICATIONS

Delta, "Delta Faucet Hose Clip 470/472/474/476 Black," Screen shot from [https://www.ferguson.com/product/delta-faucet-hose-clip-470472474476-black-drp32522/\\_/R-1631666?pid=!c12145135904!a118491596833!tpla-1248992787778!k!m!p!dc!ng!f!sid&gclid=EAIAIQobChMI1s\\_B2smz8QIVf21vBB3mvwLrEAQYECABEgKMWPD\\_BwE&gclsrc=aw.ds](https://www.ferguson.com/product/delta-faucet-hose-clip-470472474476-black-drp32522/_/R-1631666?pid=!c12145135904!a118491596833!tpla-1248992787778!k!m!p!dc!ng!f!sid&gclid=EAIAIQobChMI1s_B2smz8QIVf21vBB3mvwLrEAQYECABEgKMWPD_BwE&gclsrc=aw.ds), accessed Jul. 20, 2021.

Grote, "Grote 3/8 in. 2-Hose or Cable Clamp," Screen shot from [https://www.imperialsupplies.com/browse/electrical/trailer-cords-and-accessories/cable-support-and-accessories?featured-product=0922120&gclid=EAIAIQobChMI5smC38qz8QIV721vBB1PUA-iEAQYBSABEgL41fD\\_BwE](https://www.imperialsupplies.com/browse/electrical/trailer-cords-and-accessories/cable-support-and-accessories?featured-product=0922120&gclid=EAIAIQobChMI5smC38qz8QIV721vBB1PUA-iEAQYBSABEgL41fD_BwE), accessed Jul. 20, 2021.

Camco, "Hose Hanger Hose Hook Attachment—2 / Card Bilingual," Screen shot from <https://www.camco.net/hose-hanger-hose-hook-attachment-2-card-bilingual-20192>, accessed Jul. 20, 2021.

\* cited by examiner

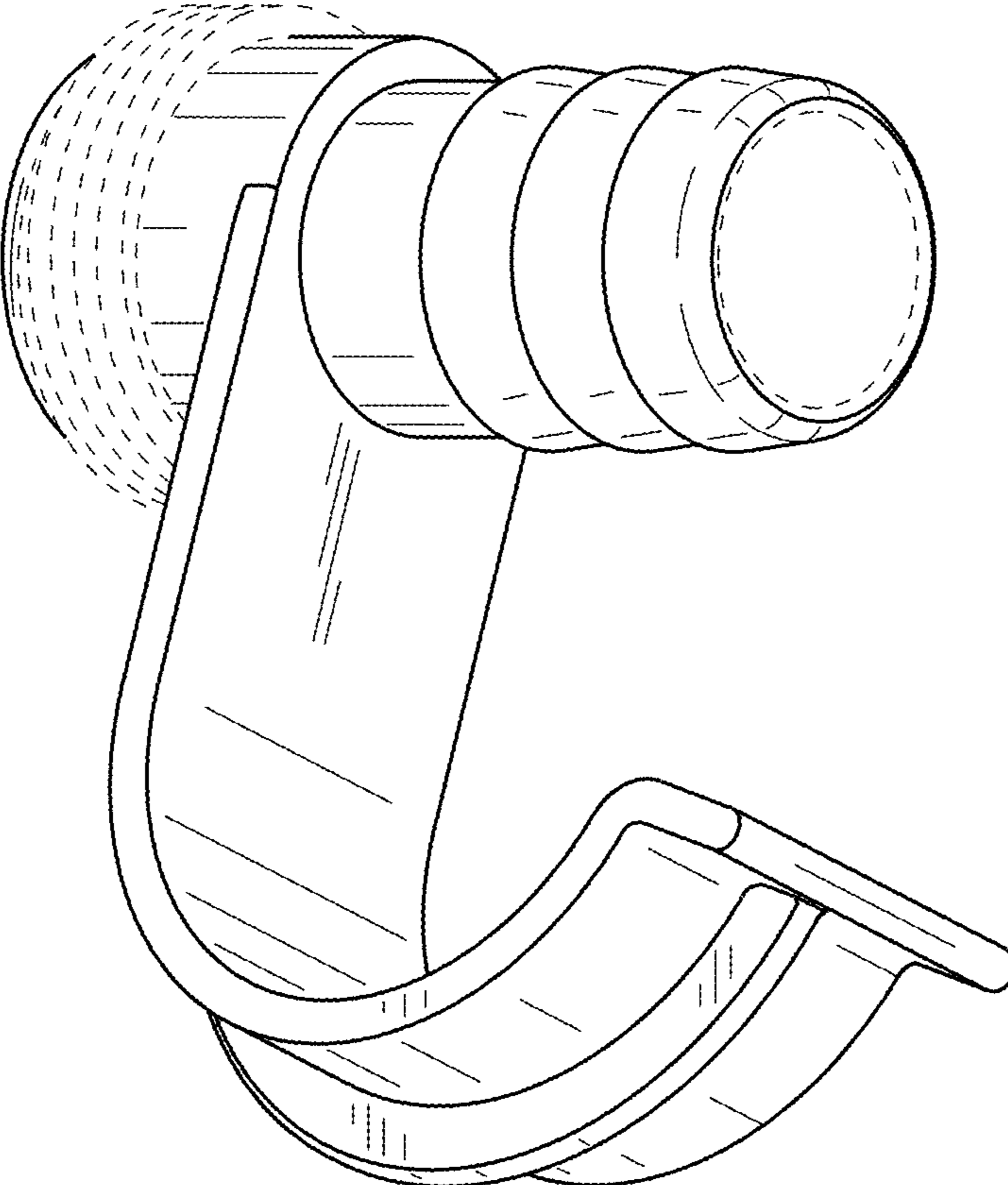


FIG. 1

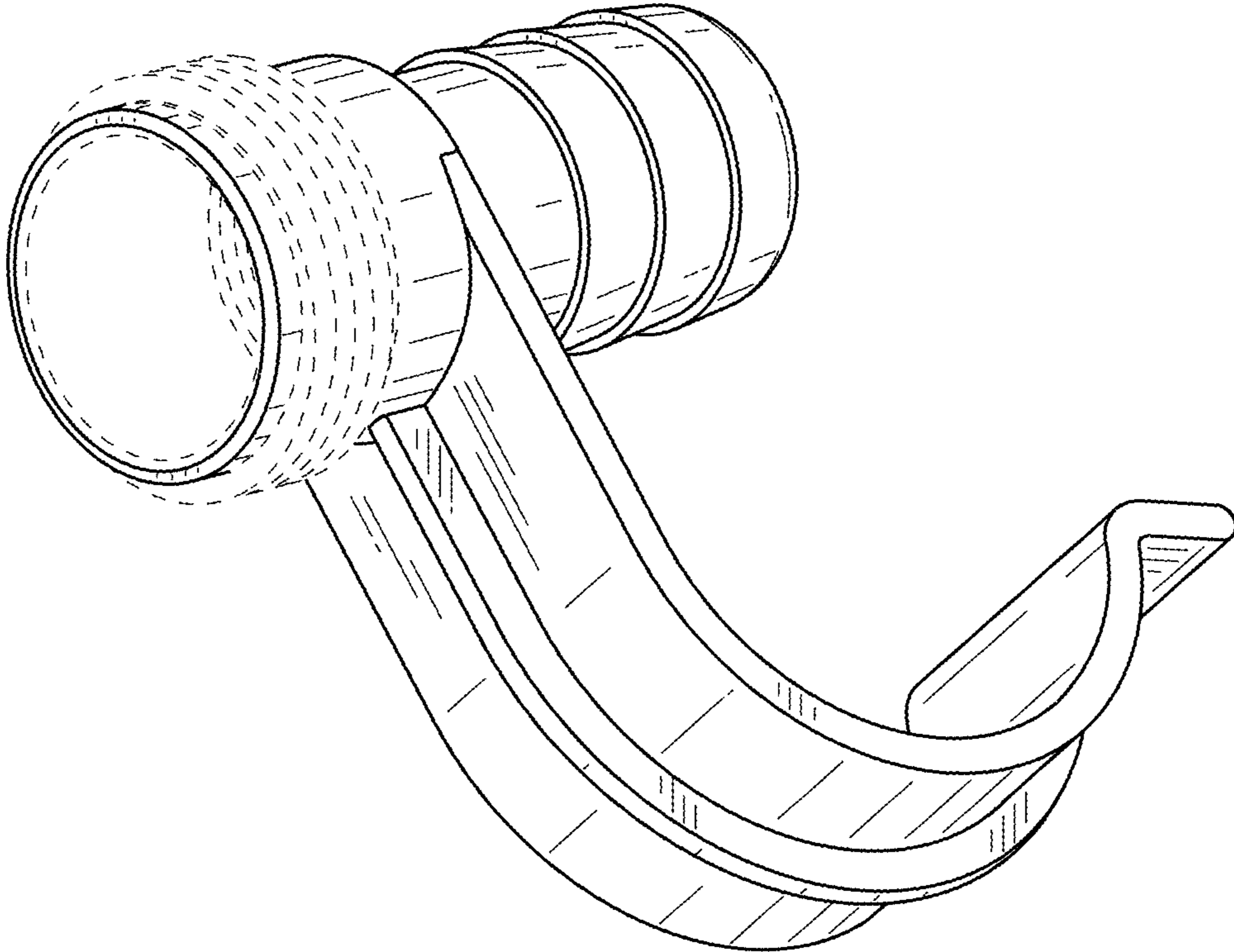


FIG. 2

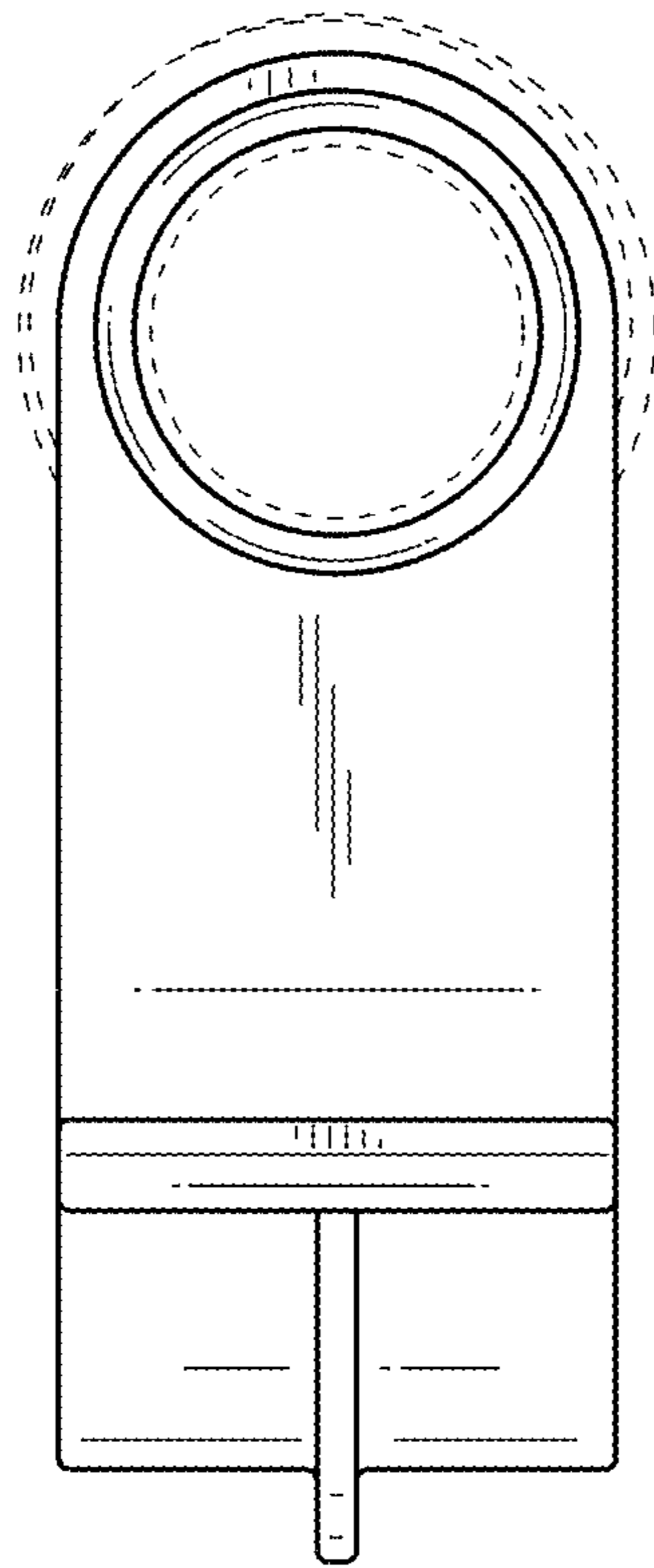


FIG. 3

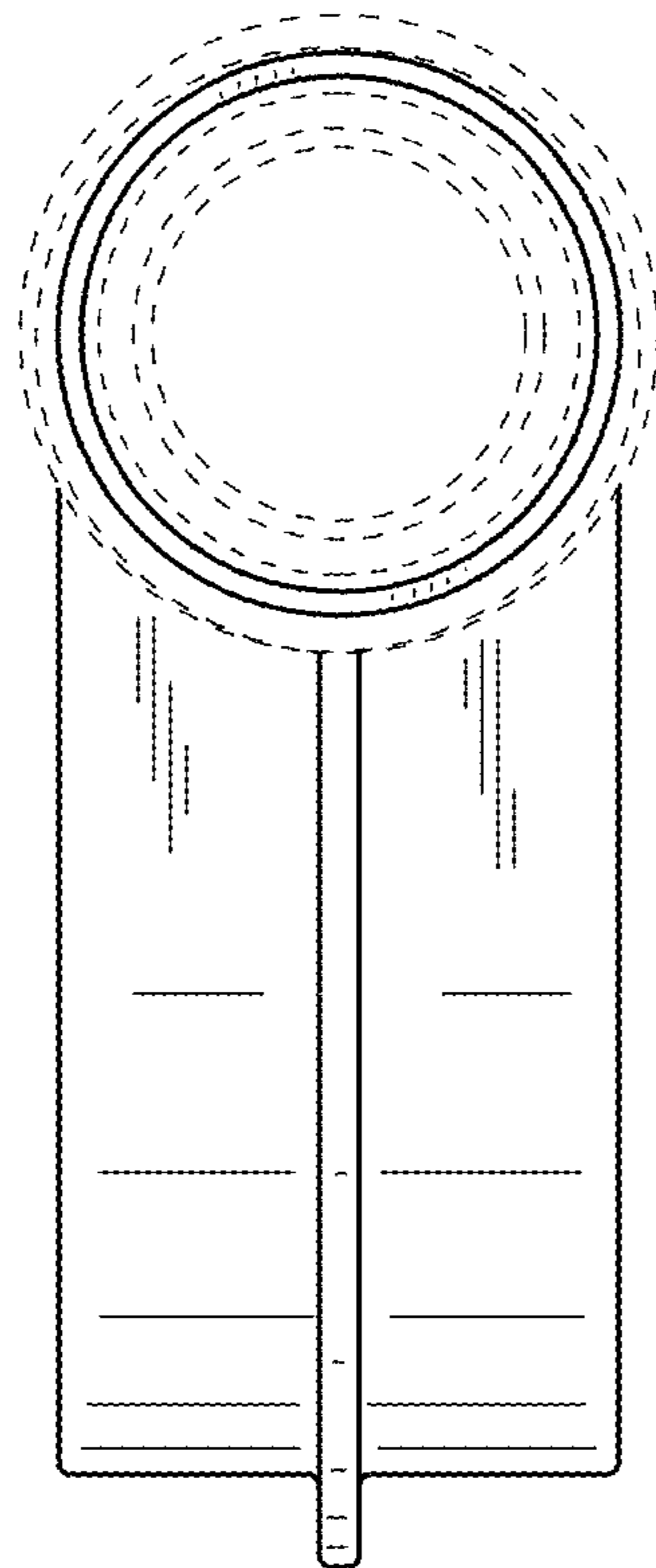


FIG. 4



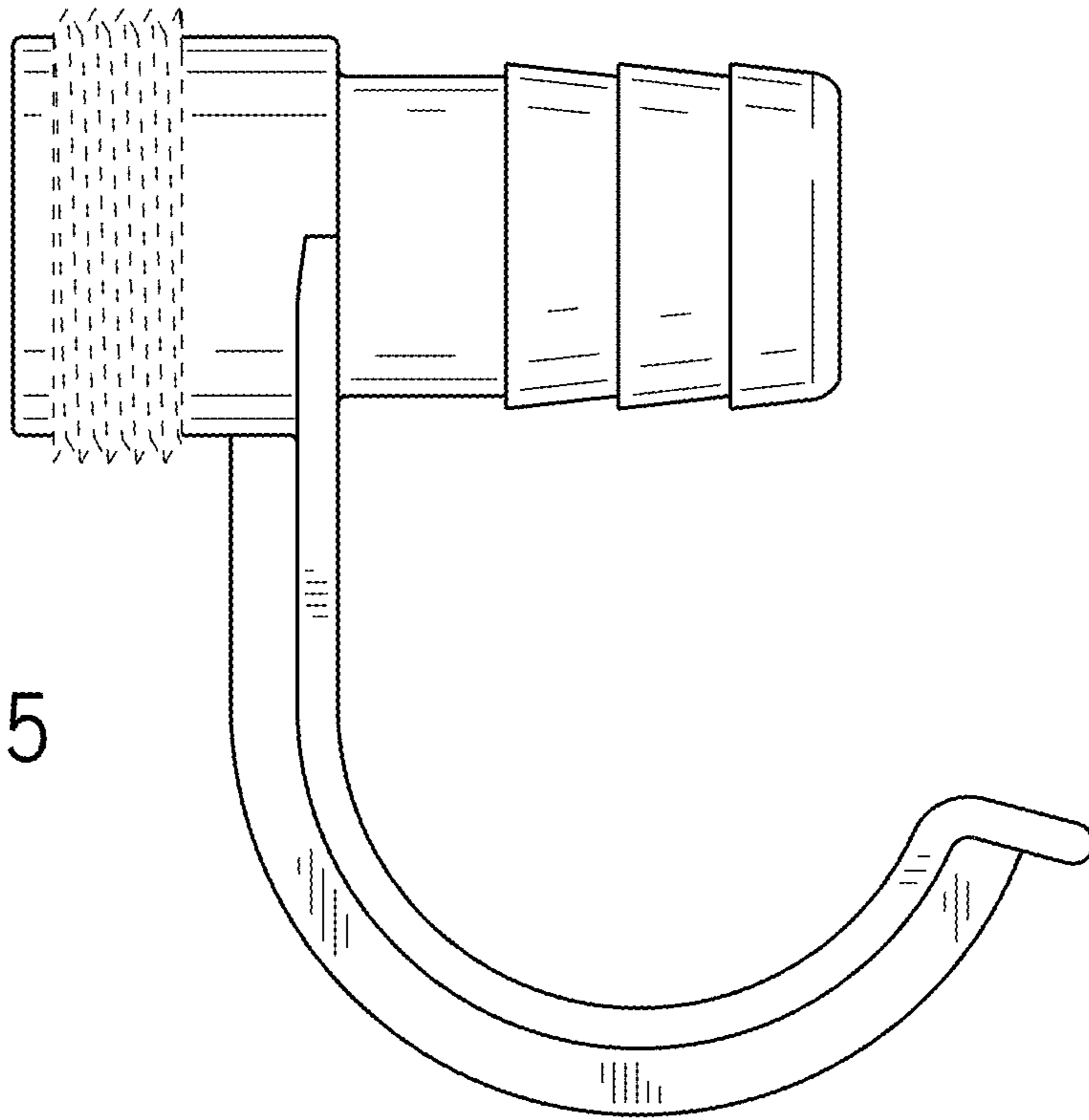


FIG. 5

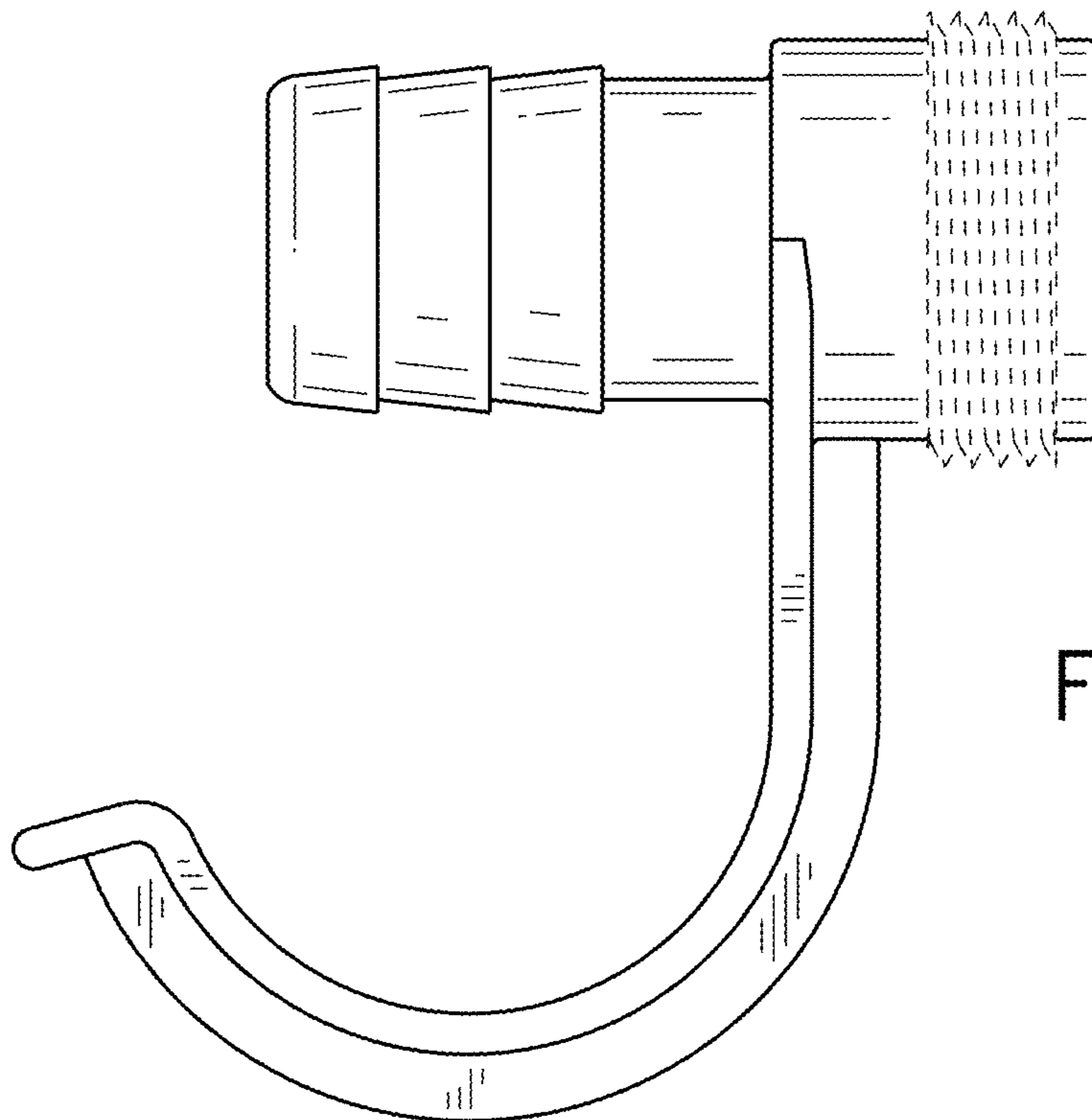


FIG. 6

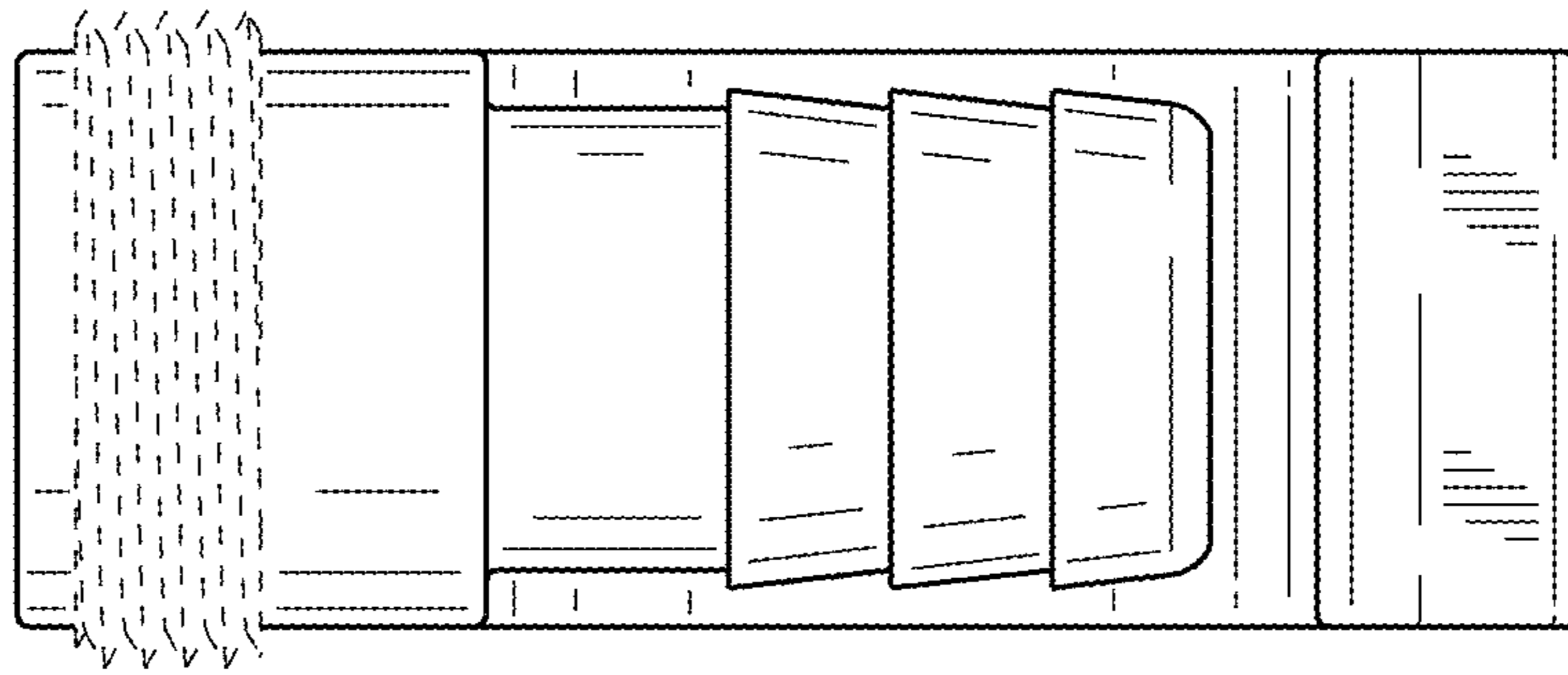


FIG. 7

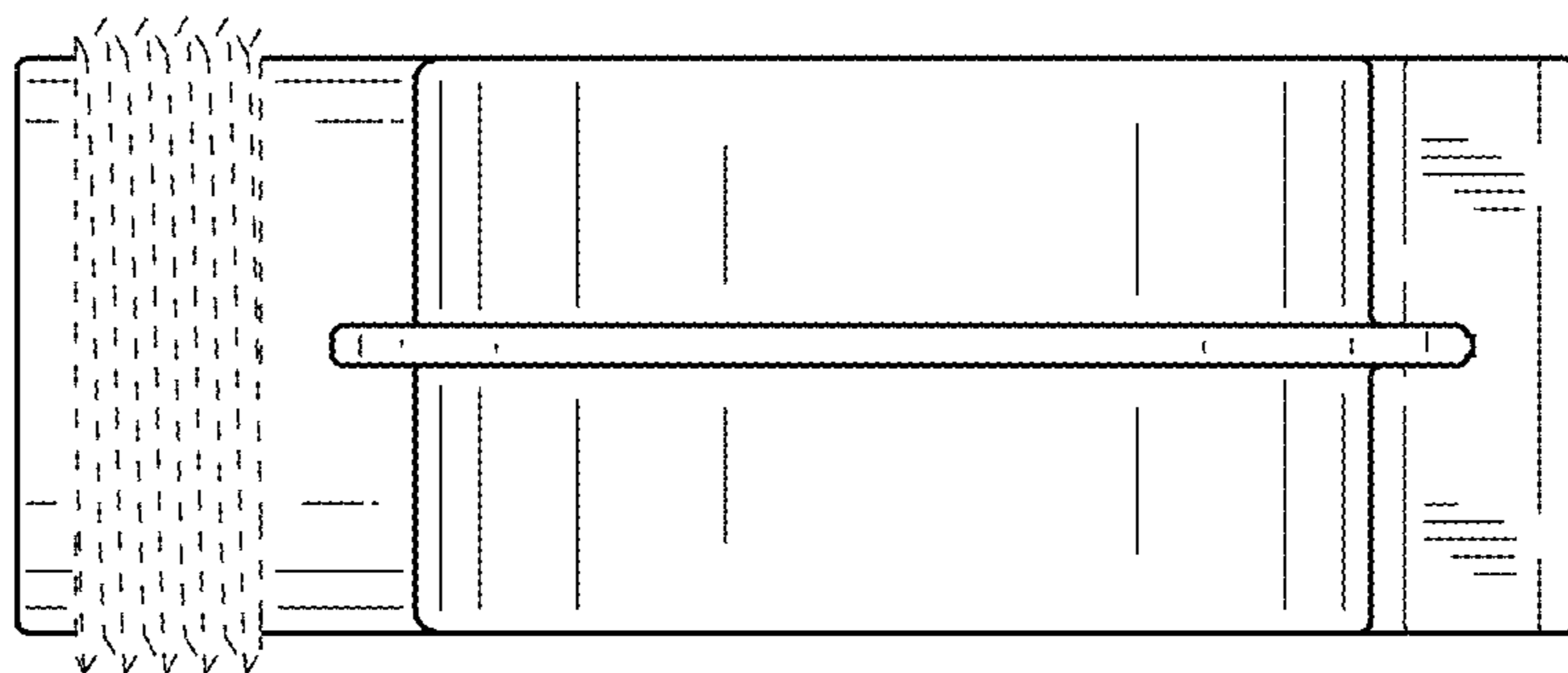


FIG. 8