



US00D987043S

(12) **United States Design Patent** (10) **Patent No.:** **US D987,043 S**  
**Turk** (45) **Date of Patent:** **\*\* May 23, 2023**

(54) **DRAIN OUTLET**

(71) Applicant: **Brandon Turk**, Deerwood, MN (US)

(72) Inventor: **Brandon Turk**, Deerwood, MN (US)

(\*\*) Term: **15 Years**

(21) Appl. No.: **29/710,406**

(22) Filed: **Oct. 23, 2019**

(51) **LOC (14) Cl.** ..... **23-01**

(52) **U.S. Cl.**  
USPC ..... **D23/261; D23/259**

(58) **Field of Classification Search**  
USPC ..... D23/249, 259, 261-262, 267-268, 270,  
D23/303; D8/350, 352-354  
CPC ..... A47K 3/001; E03F 2005/063  
See application file for complete search history.

(56) **References Cited**

**U.S. PATENT DOCUMENTS**

D33,787 S *	12/1900	Meiners	.....	D23/249
3,085,647 A *	4/1963	Jenn	.....	F16L 55/02736
				181/224
5,503,181 A *	4/1996	Kennedy	.....	E03F 5/0407
				137/362
D388,566 S *	12/1997	Reid	.....	D32/25
D511,805 S *	11/2005	Otero	.....	D23/254
D540,919 S *	4/2007	Soriano	.....	D23/249
D602,575 S *	10/2009	Breda	.....	D23/261
8,261,766 B1 *	9/2012	Huang	.....	E03C 1/042
				137/359
8,474,069 B1 *	7/2013	Whitinger	.....	E03F 5/0408
				4/613
D805,617 S *	12/2017	McConnell	.....	D23/323
D923,757 S *	6/2021	Keizers	.....	D23/261
2008/0222795 A1 *	9/2008	Cook	.....	A47K 3/40
				4/613
2008/0222797 A1 *	9/2008	Cook	.....	A47K 3/40
				4/613

(Continued)

Primary Examiner — Amy C Wierenga

(74) *Attorney, Agent, or Firm* — Antonio Papageorgiou, Esq.; Lombard Geliebter LLP

(57) **CLAIM**

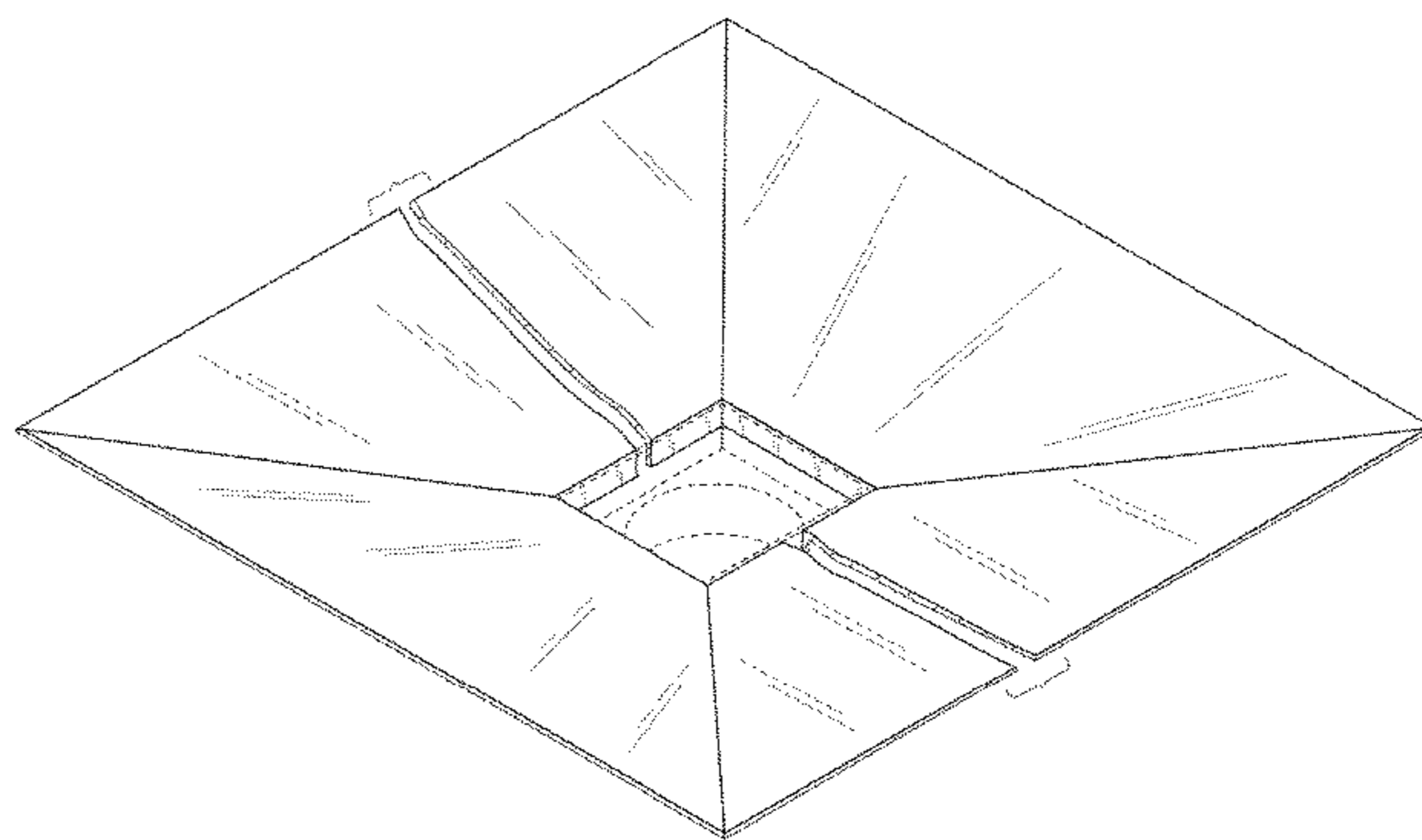
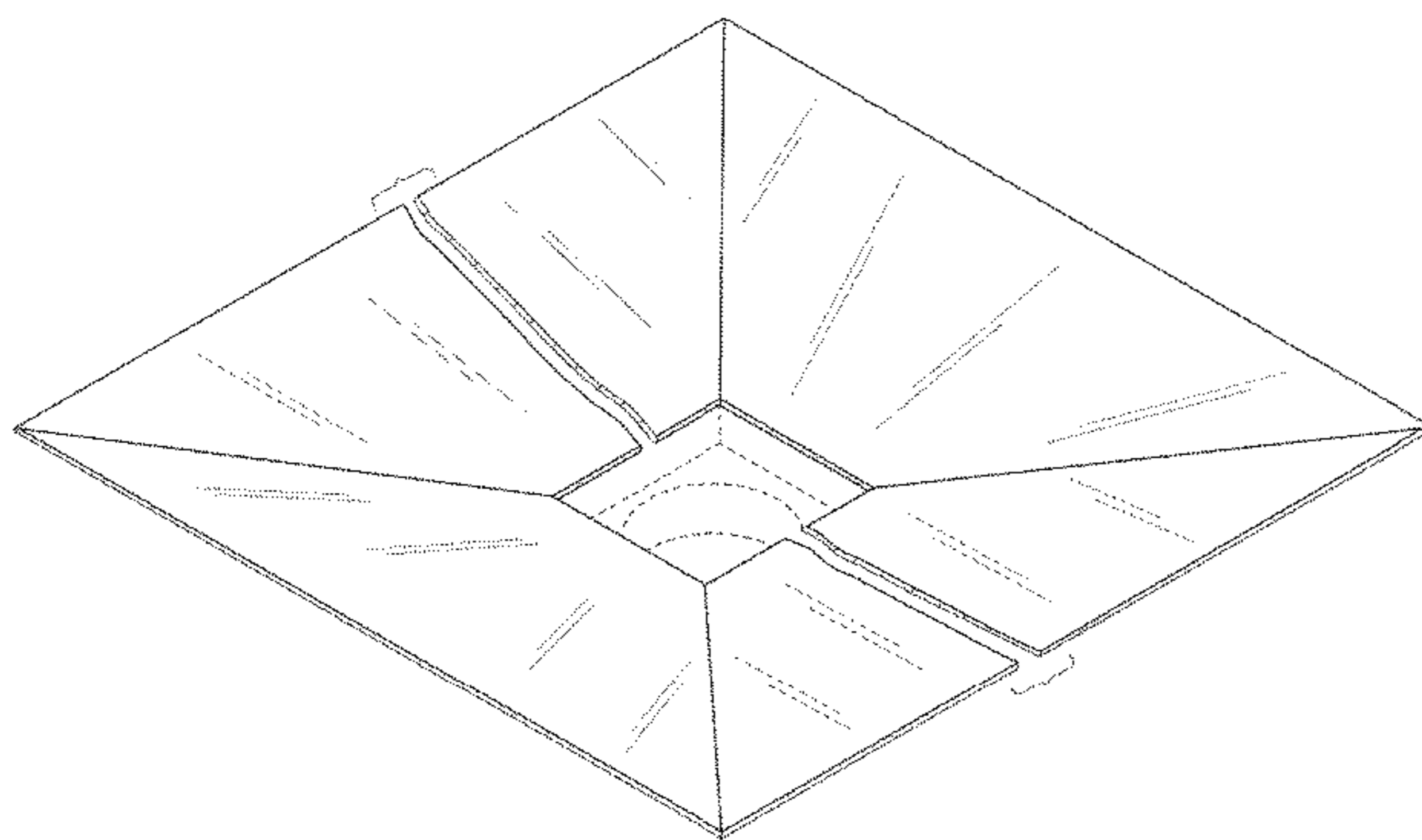
The ornamental design for a drain outlet, as shown and described.

**DESCRIPTION**

FIG. 1 is a top perspective view of a drain outlet according to one embodiment of my new design;  
 FIG. 2 is a bottom perspective view of a drain outlet according to one embodiment of my new design;  
 FIG. 3 is a front view thereof;  
 FIG. 4 is a back view thereof;  
 FIG. 5 is a left side view thereof;  
 FIG. 6 is a right side view thereof;  
 FIG. 7 is a top view thereof;  
 FIG. 8 is a bottom view thereof;  
 FIG. 9 is a center cross sectional view taken from line 9-9 of FIG. 7;  
 FIG. 10 is a top perspective view of a drain outlet according to a second embodiment of my new design;  
 FIG. 11 is a bottom perspective view of a drain outlet according to a second embodiment of my new design;  
 FIG. 12 is a front view thereof;  
 FIG. 13 is a back view thereof;  
 FIG. 14 is a left side view thereof;  
 FIG. 15 is a right side view thereof;  
 FIG. 16 is a top view thereof;  
 FIG. 17 is a bottom view thereof; and,  
 FIG. 18 is a center cross sectional view taken from line 18-18 of FIG. 16.

The drain outlet is shown with a symbolic break in its length. The appearance of any portion of the article between the break lines forms no part of the claim. The dashed lines shown in the drawings illustrate environmental structure and form no part of the claimed design.

**1 Claim, 18 Drawing Sheets**



(56)

**References Cited**

U.S. PATENT DOCUMENTS

2008/0276364 A1\* 11/2008 Barro ..... A47K 3/40  
29/428  
2011/0225722 A1\* 9/2011 Valdenaire ..... E03C 1/0408  
4/596  
2011/0308009 A1\* 12/2011 Davoudi ..... E03C 1/18  
4/619  
2012/0018362 A1\* 1/2012 Swanston ..... B21D 28/24  
210/232  
2014/0259371 A1\* 9/2014 Schaffer ..... A47K 3/405  
4/613  
2017/0198982 A1\* 7/2017 Törnquist ..... F28D 7/082  
2019/0257061 A1\* 8/2019 Frink ..... E03C 1/22  
2020/0157794 A1\* 5/2020 Self ..... A47K 3/40  
2020/0284012 A1\* 9/2020 Kolarec ..... E03C 1/281  
2021/0045588 A1\* 2/2021 Droessler ..... A47K 3/40  
2021/0148097 A1\* 5/2021 Ball ..... E03F 5/0408

\* cited by examiner

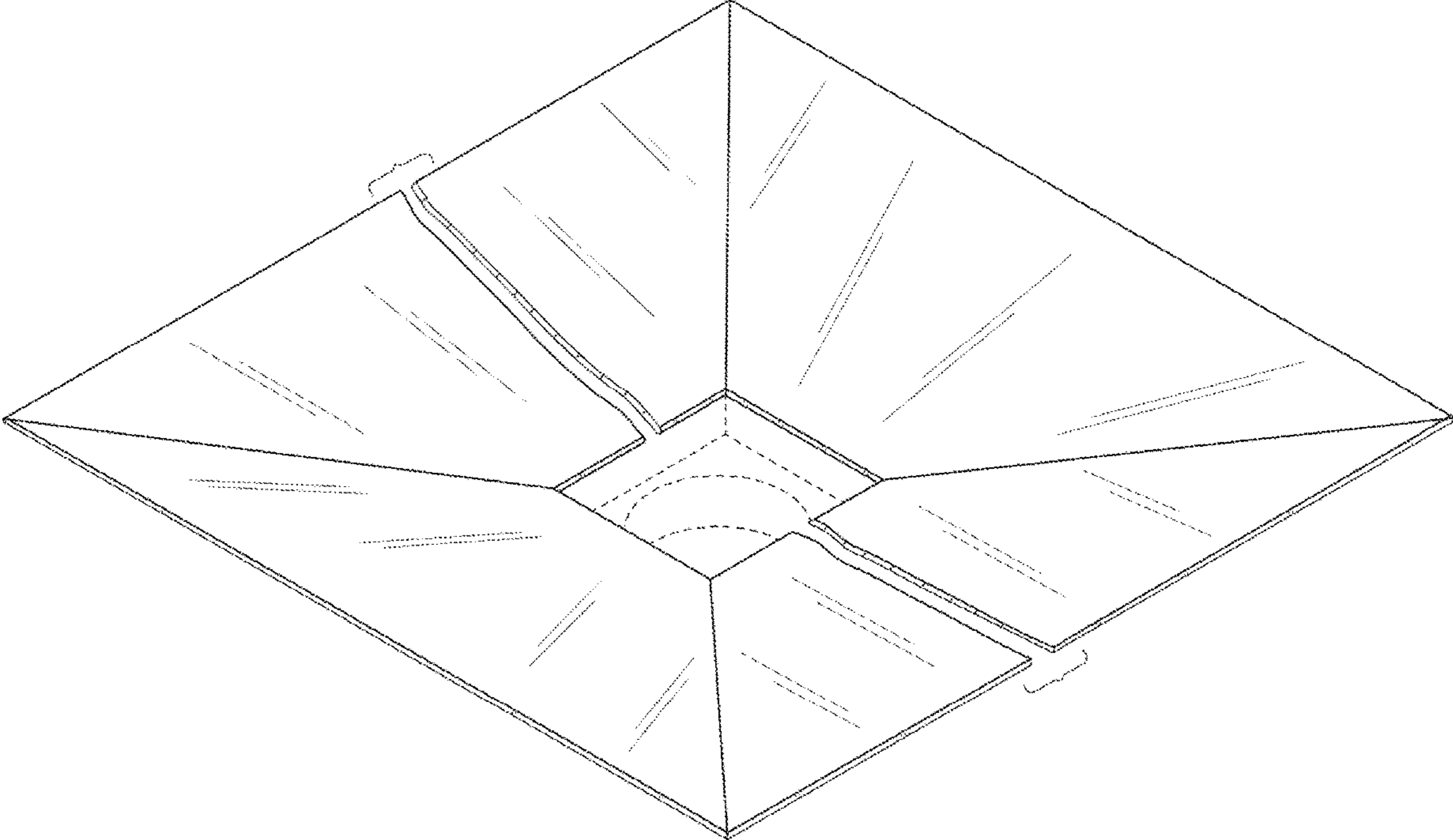


FIG. 1

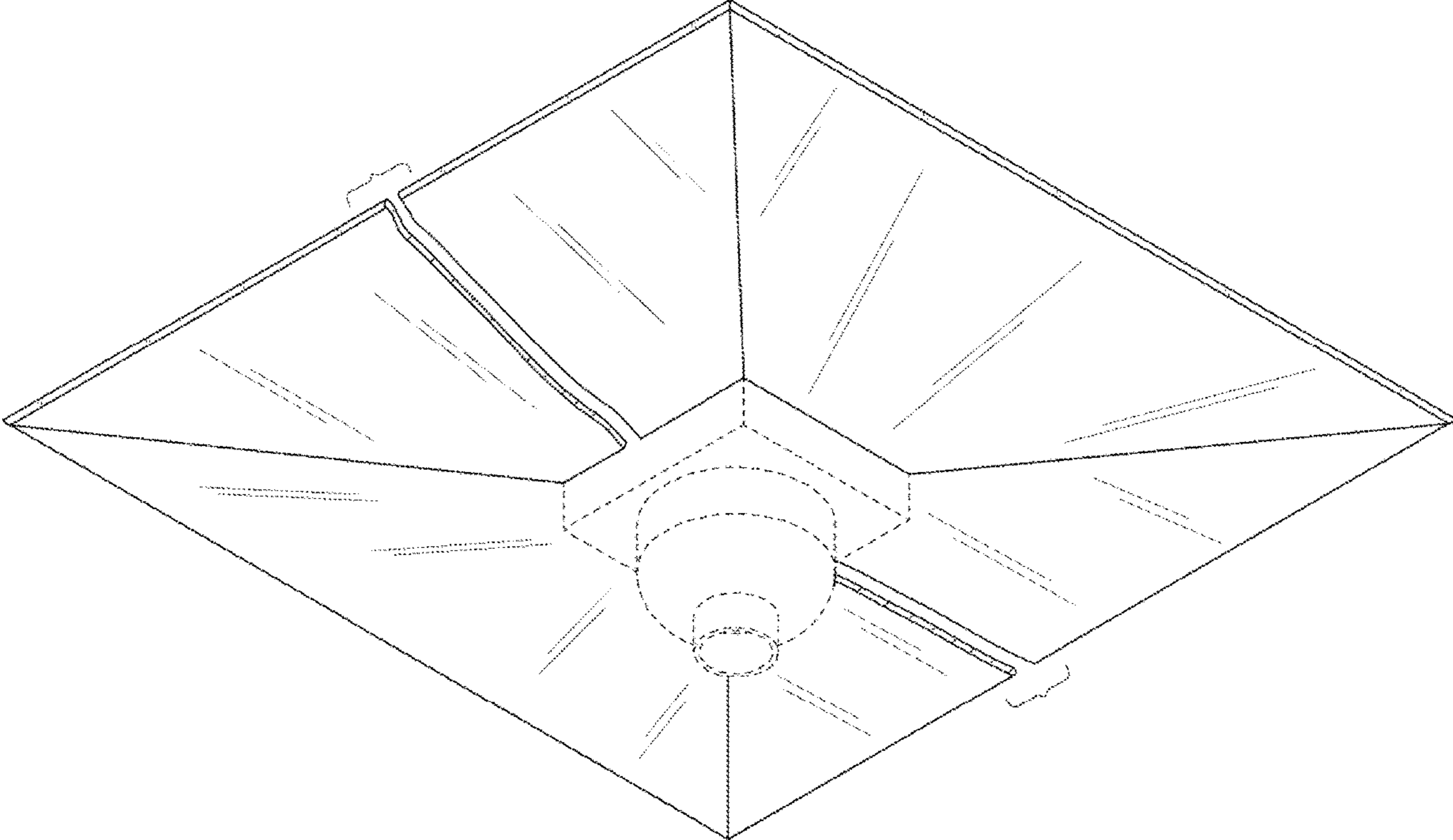
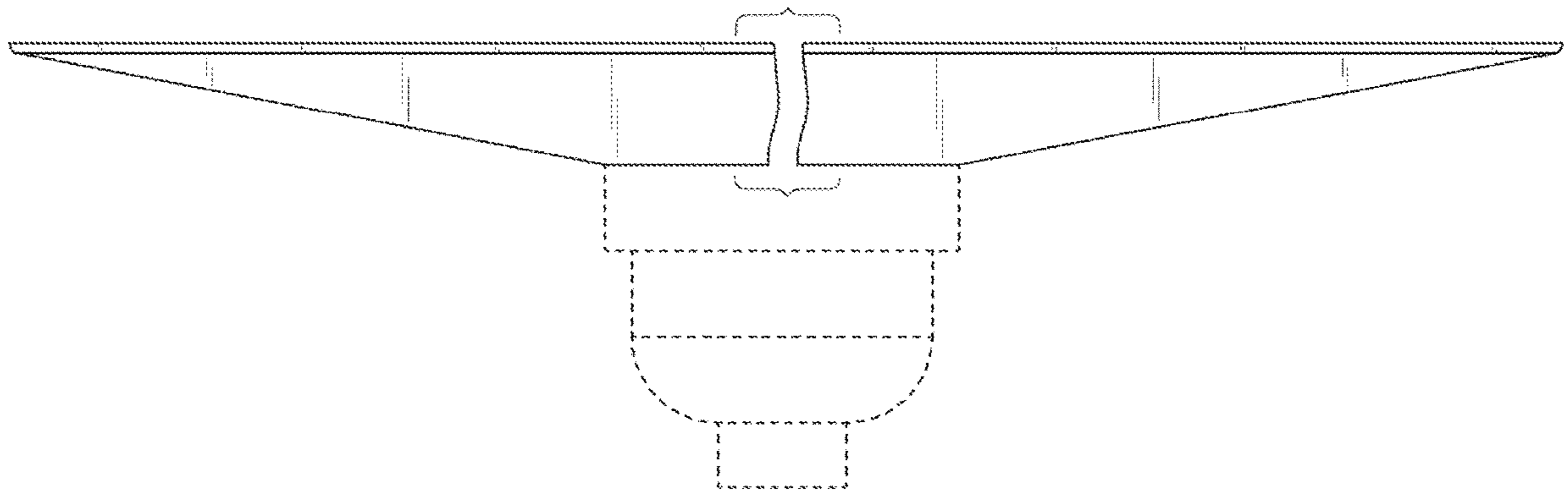


FIG. 2



**FIG. 3**

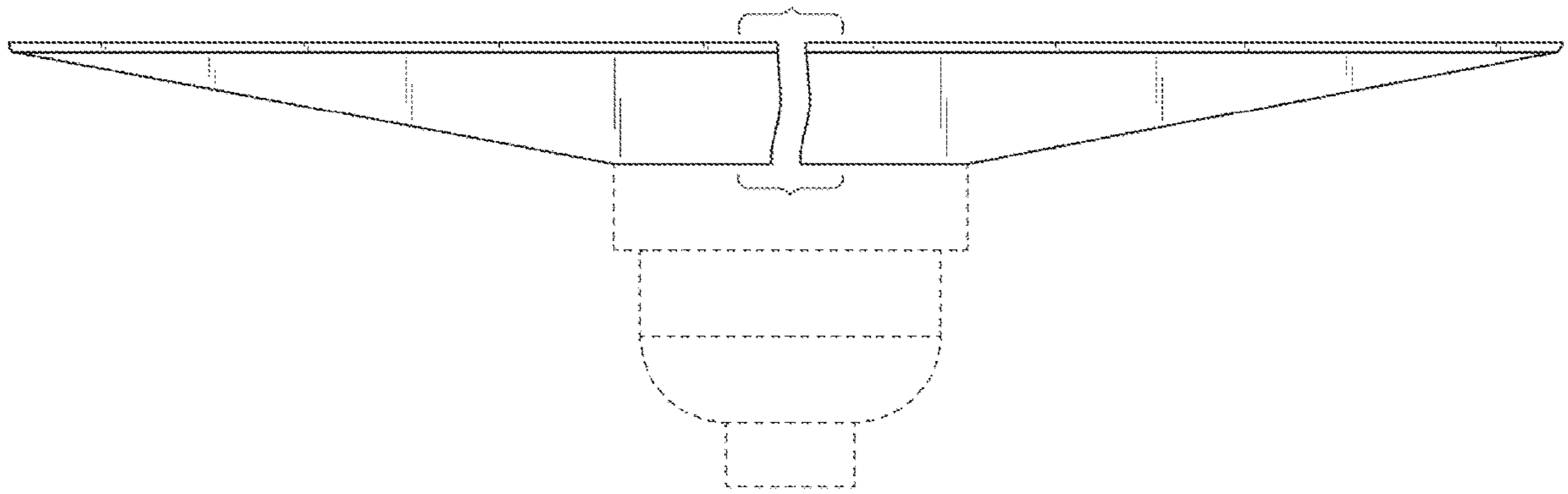
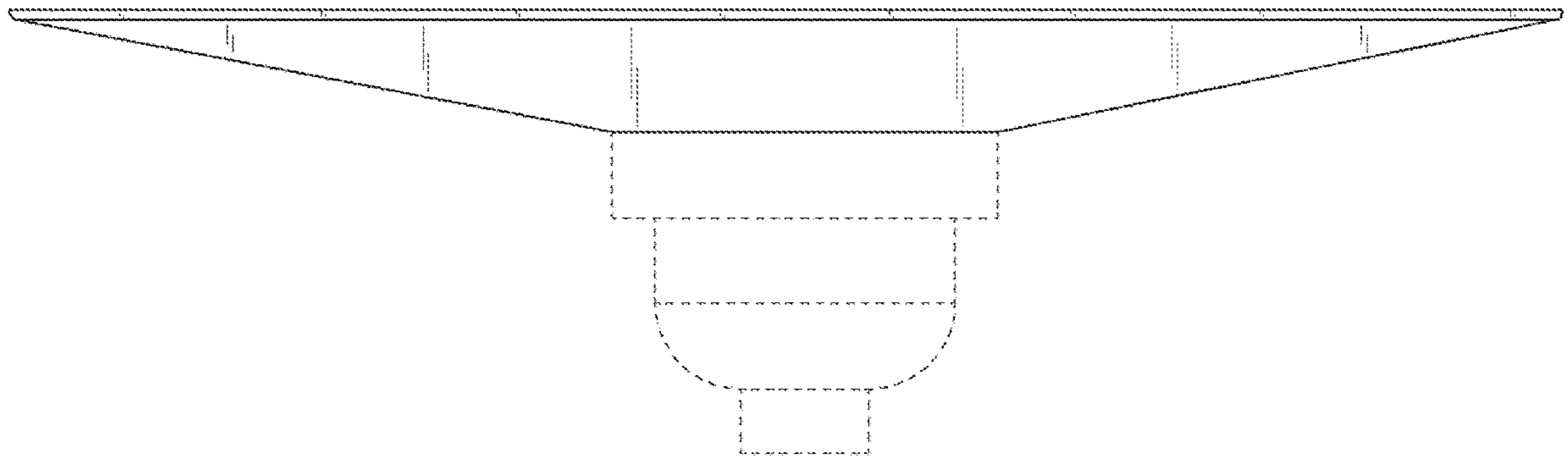
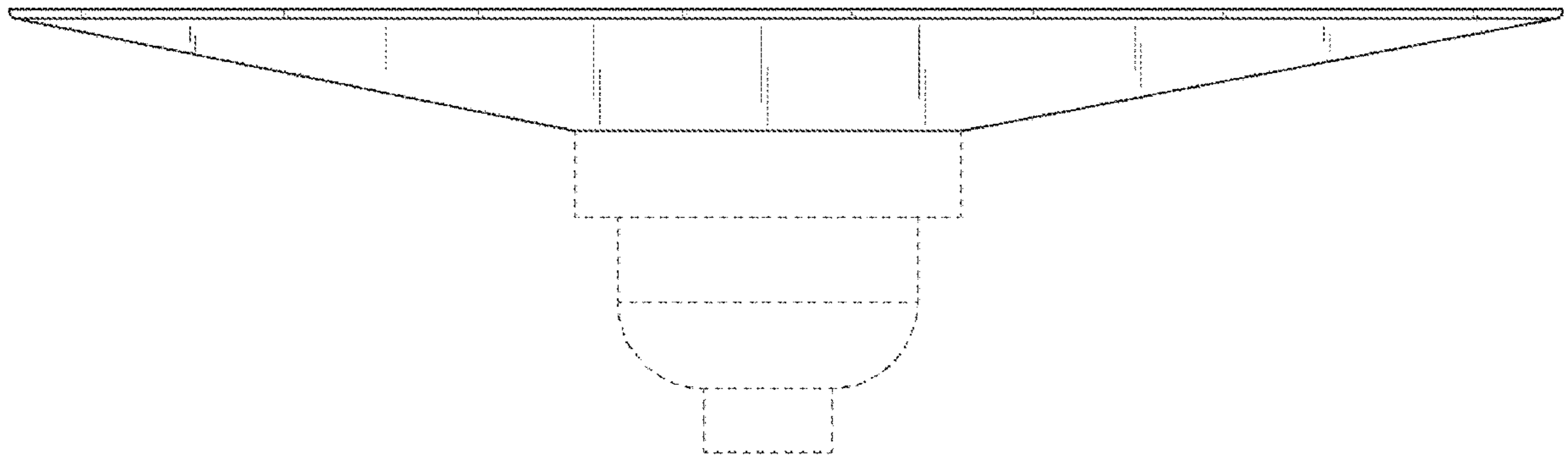


FIG. 4



**FIG. 5**



**FIG. 6**



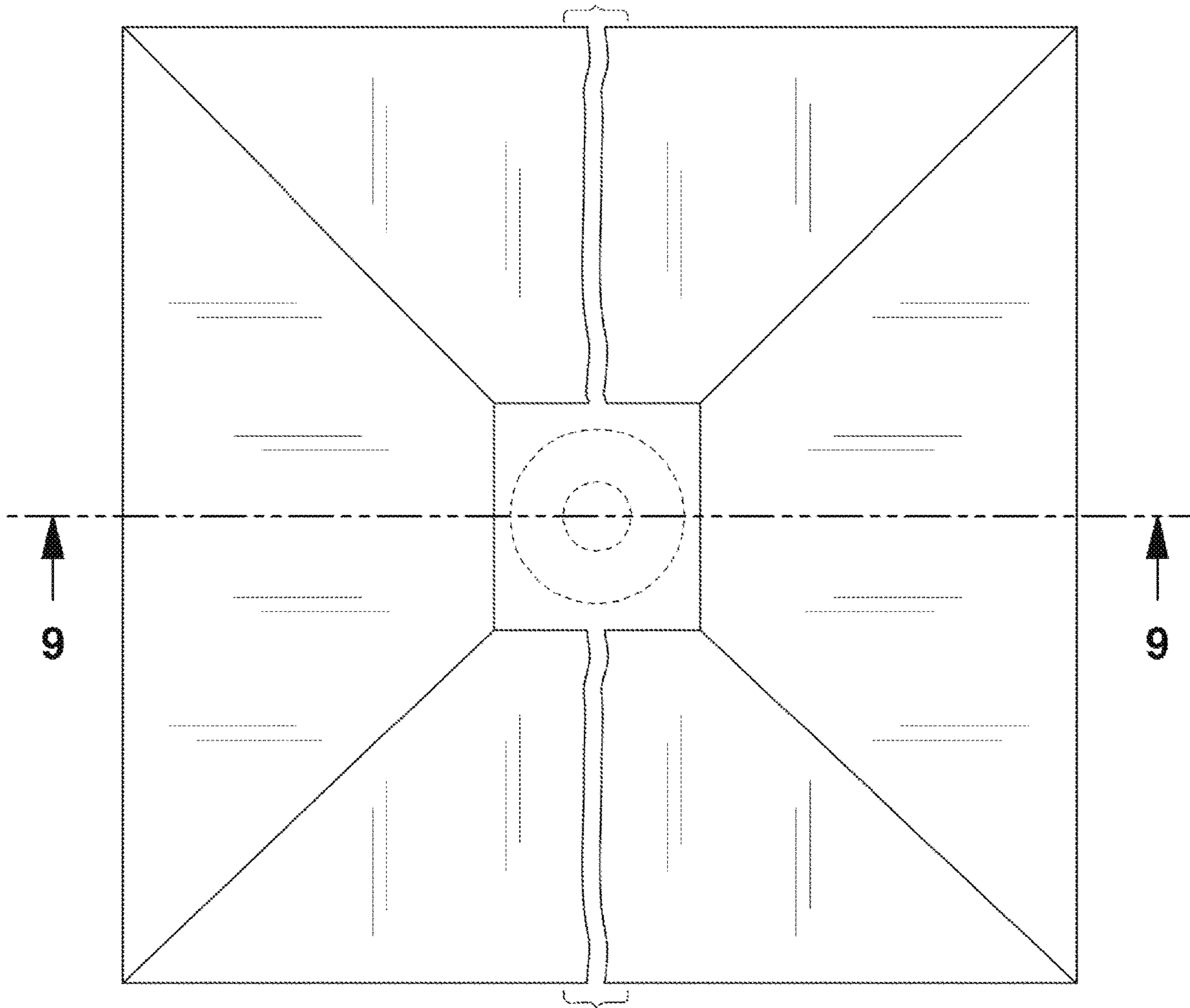
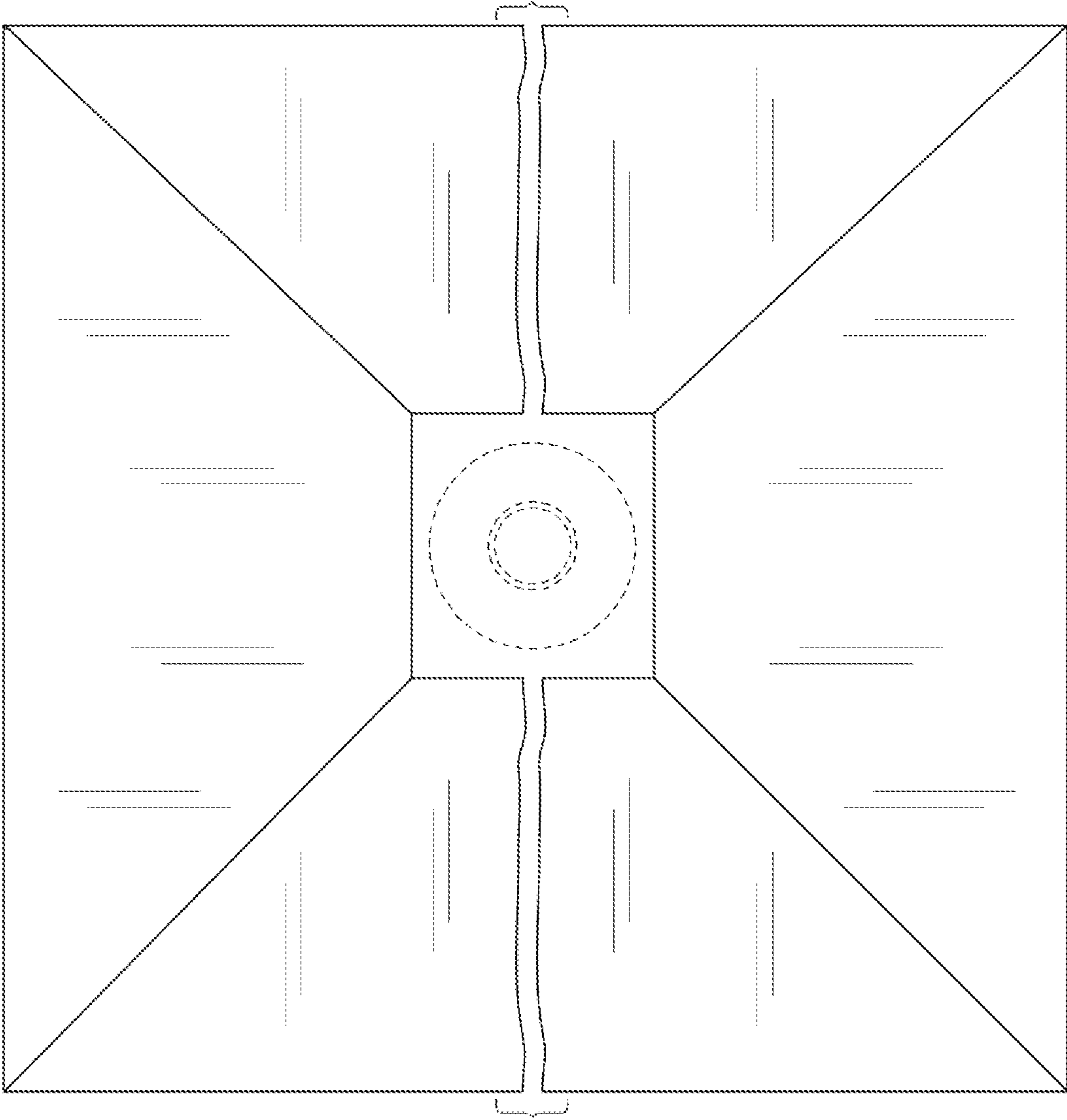


FIG. 7



**FIG. 8**

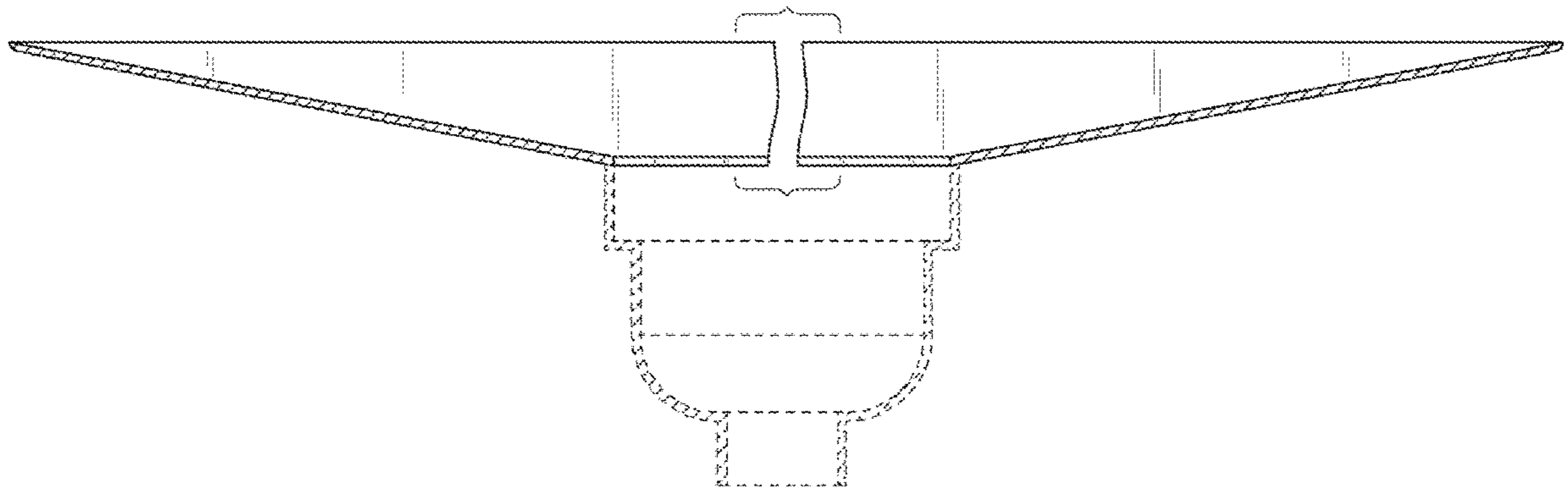


FIG. 9

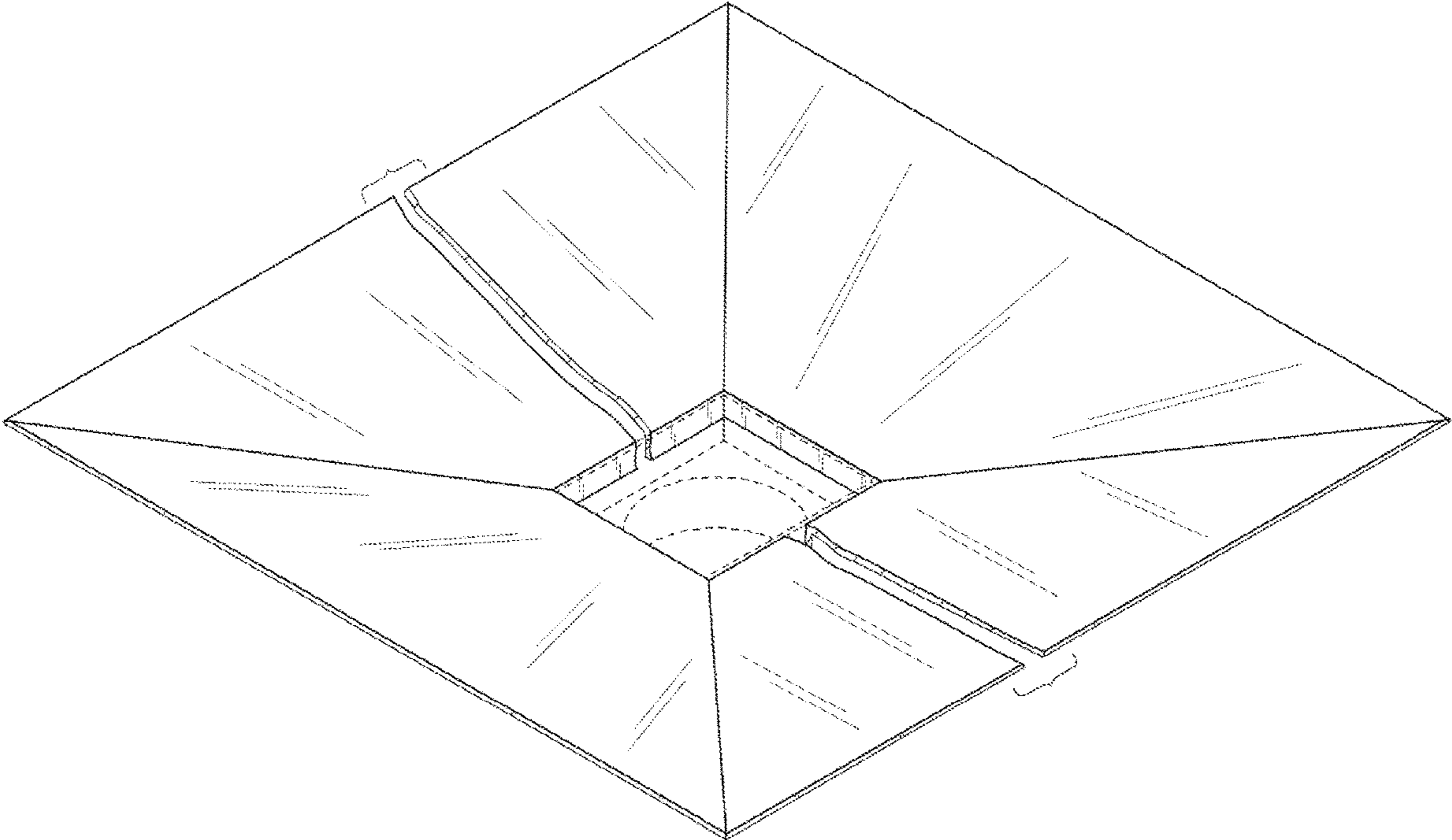


FIG. 10

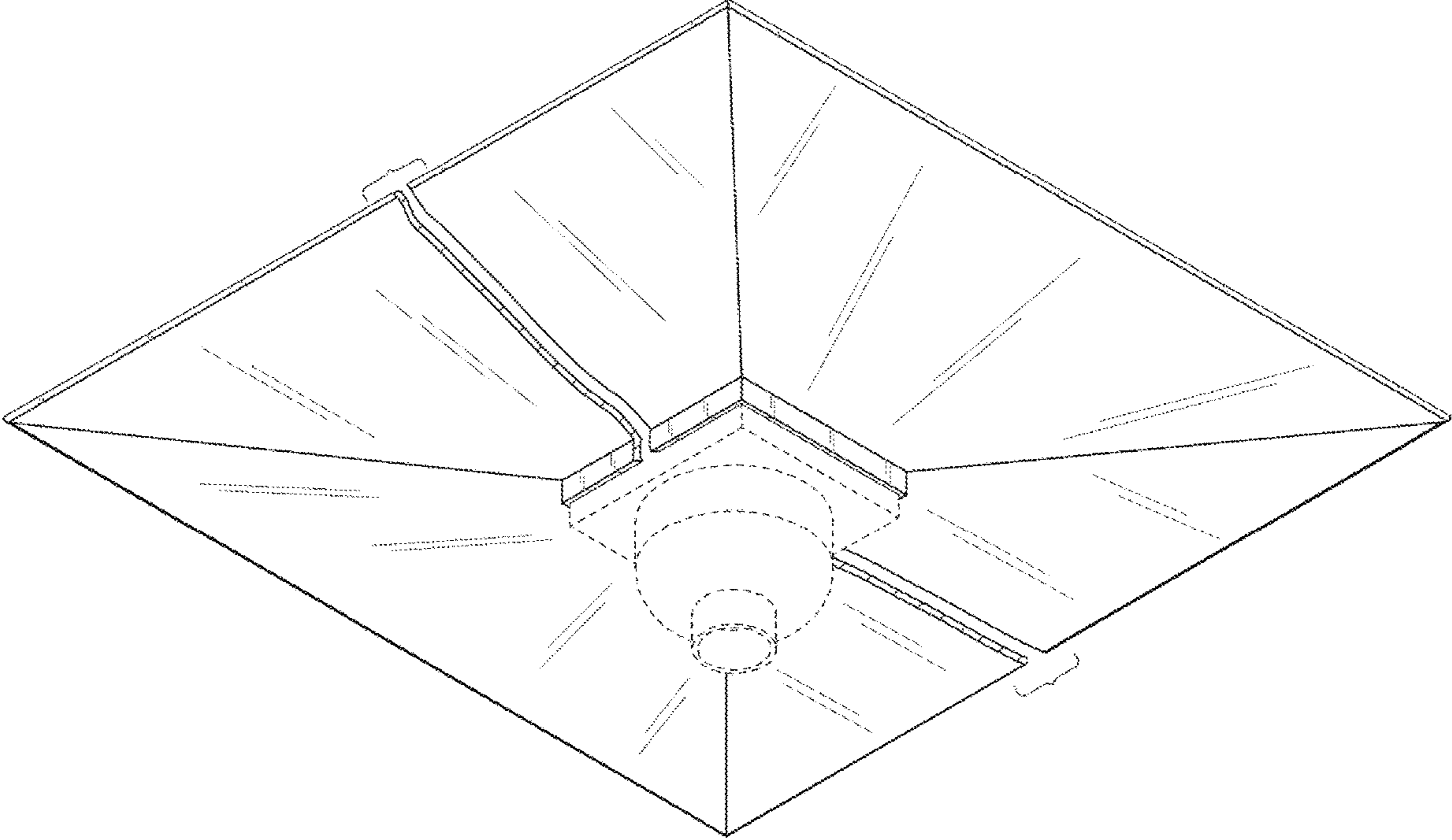


FIG. 11

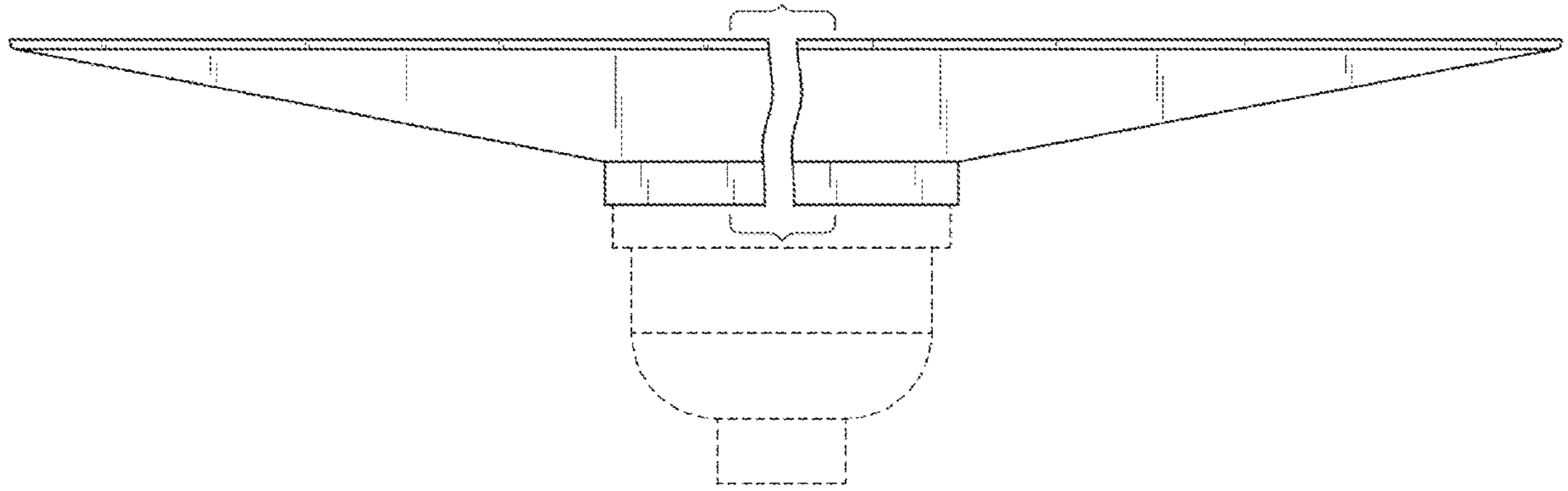


FIG. 12

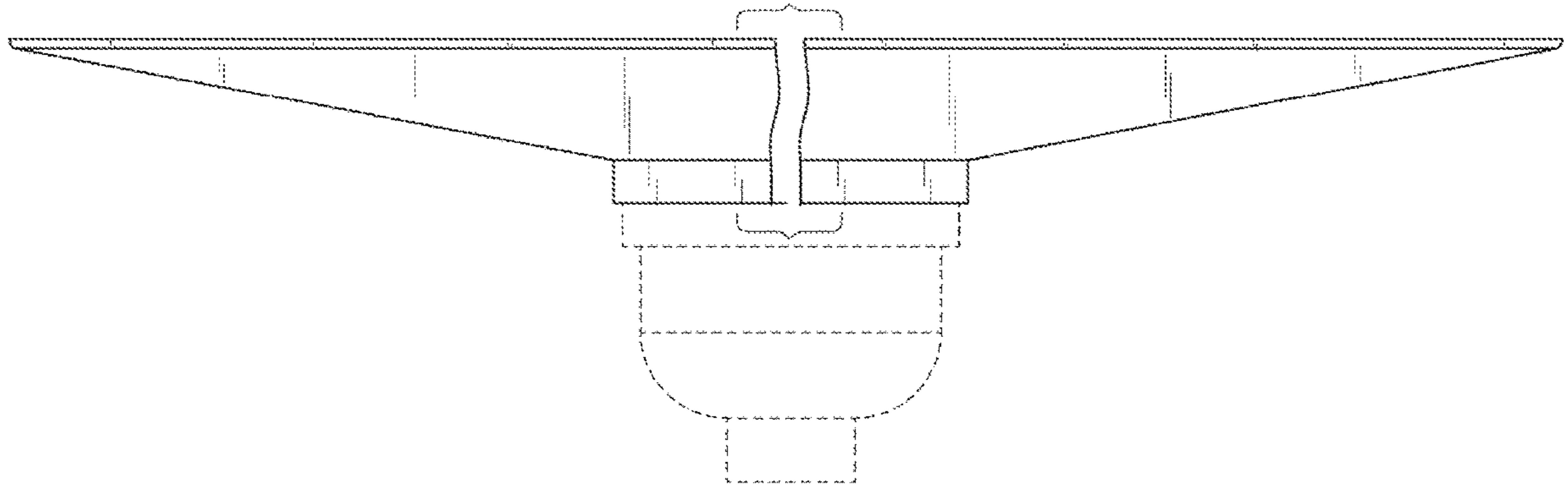
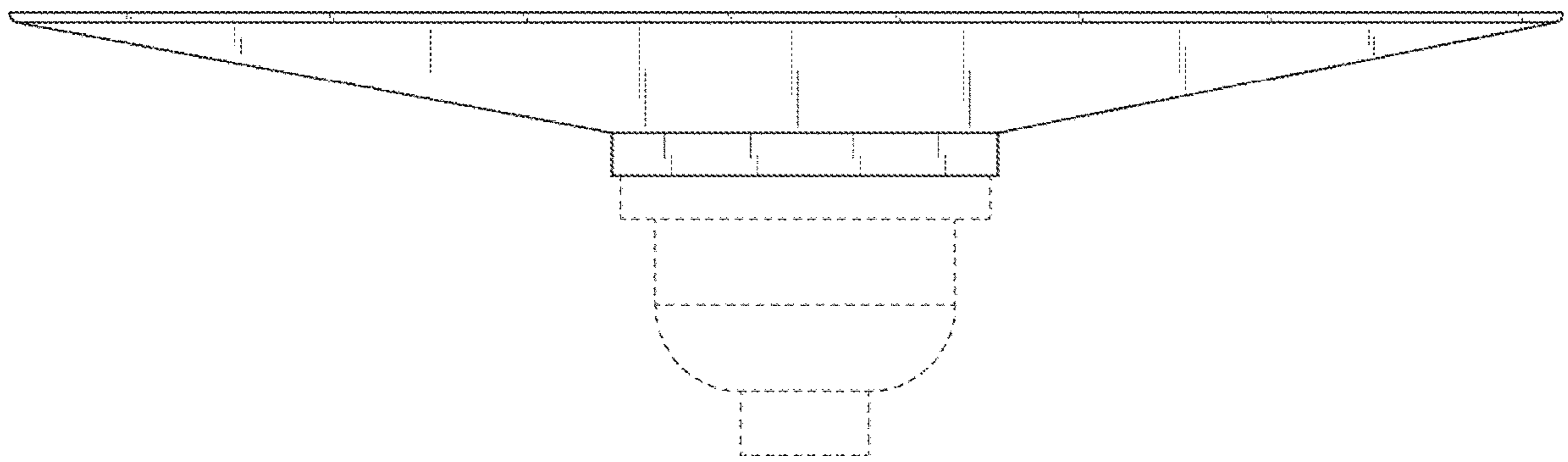


FIG. 13



**FIG. 14**



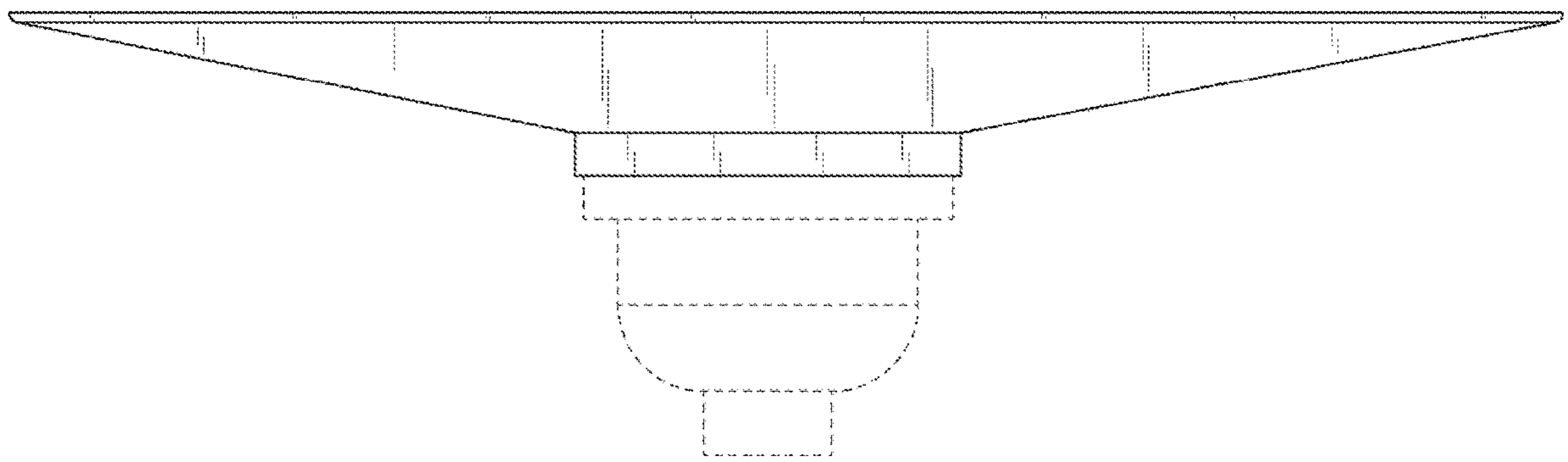


FIG. 15

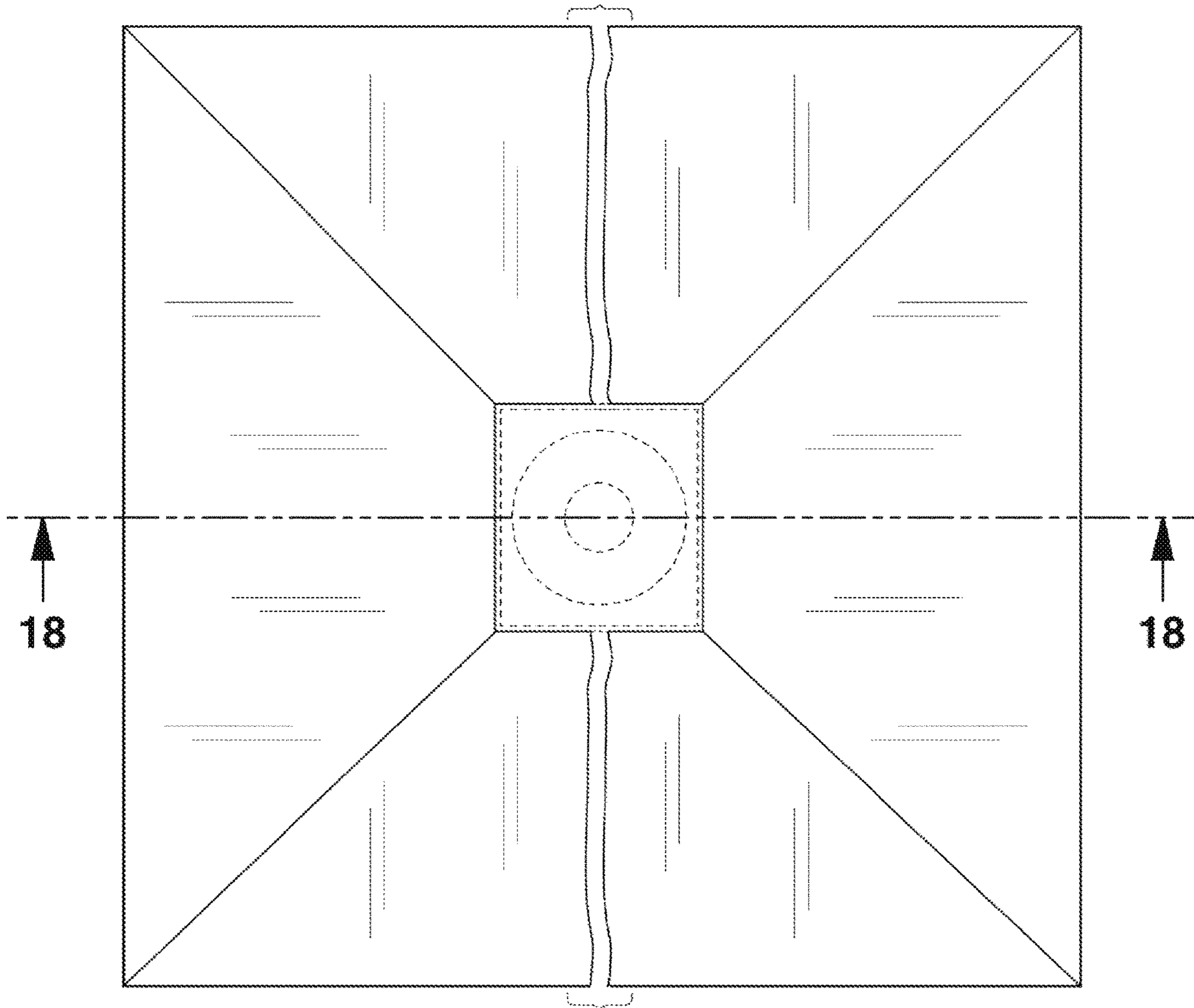
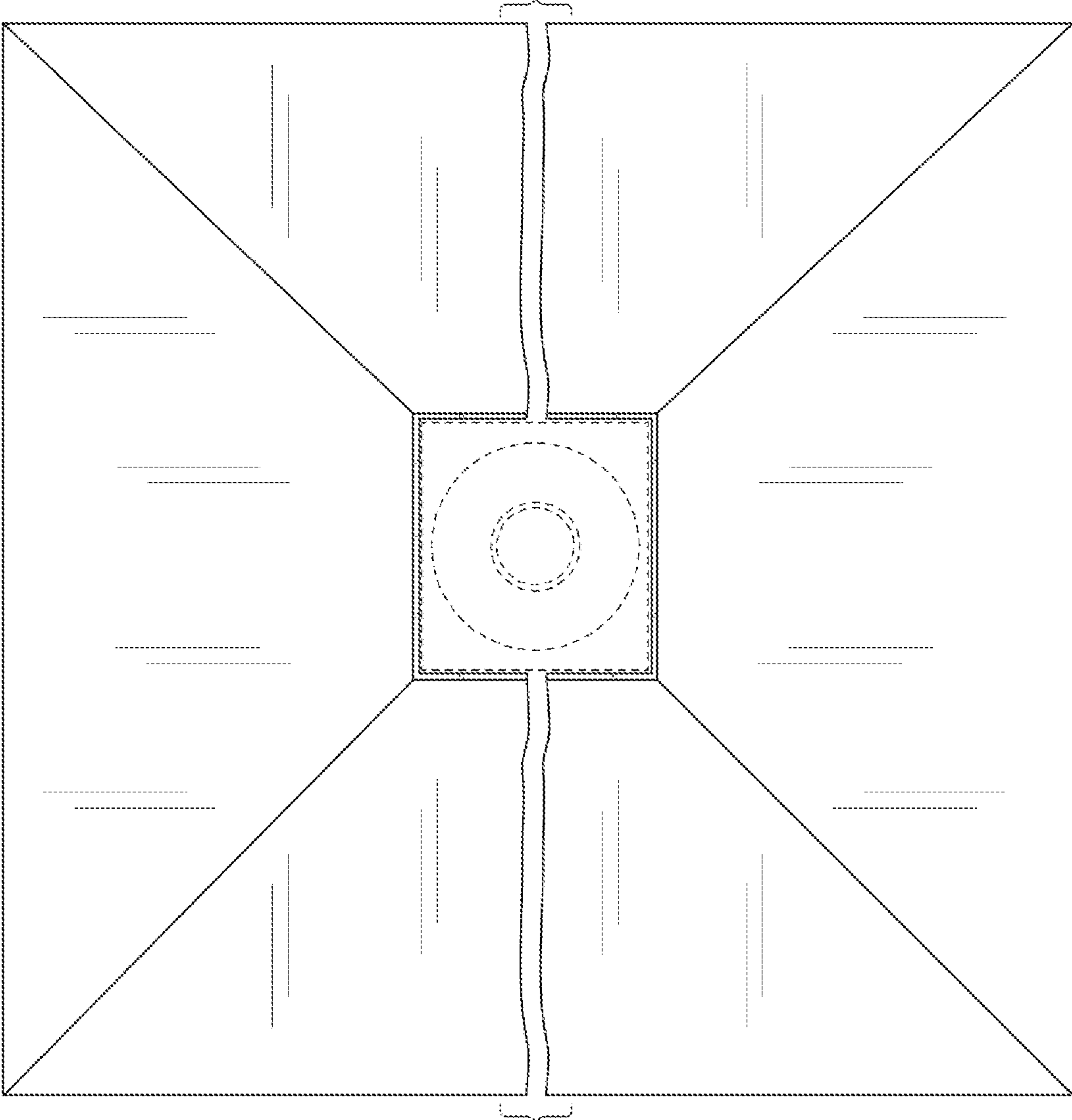


FIG. 16



**FIG. 17**

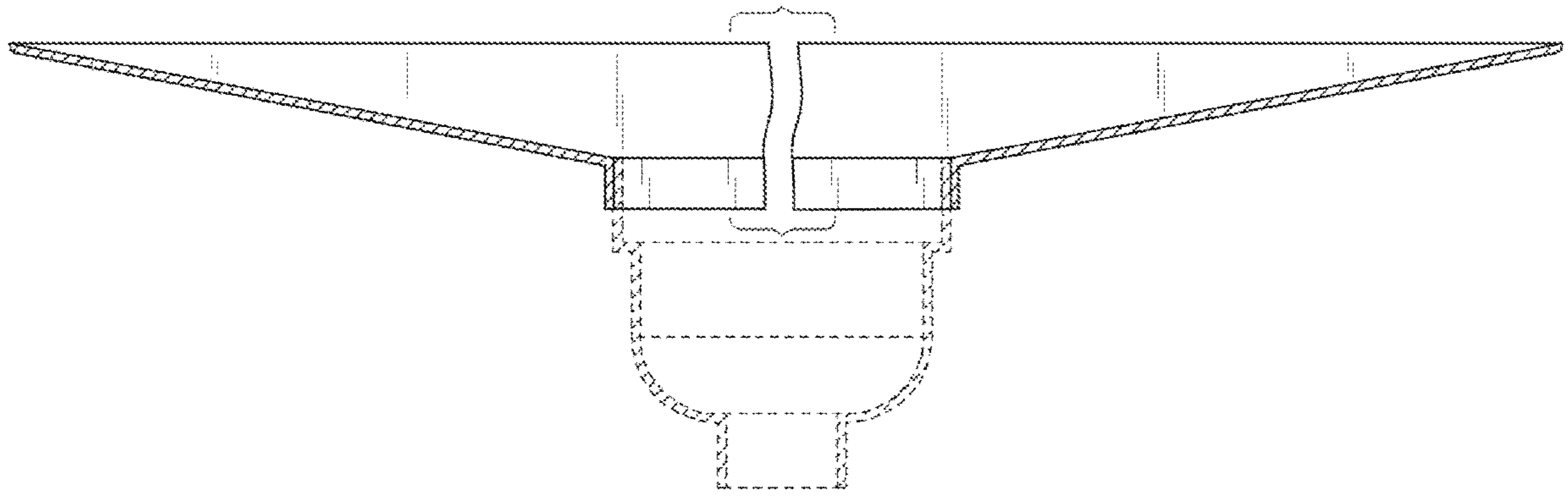


FIG. 18