



US00D987041S

(12) **United States Design Patent** (10) **Patent No.:** **US D987,041 S**  
**Yu** (45) **Date of Patent:** **\*\* May 23, 2023**

(54) **FAUCET**

(71) Applicant: **Globe Union Industrial Corp.,**  
Taichung (TW)

(72) Inventor: **Yung-Cheng Yu,** Taichung (TW)

(73) Assignee: **Globe Union Industrial Corp.,**  
Taichung (TW)

(\*\*) Term: **15 Years**

(21) Appl. No.: **29/784,785**

(22) Filed: **May 21, 2021**

(51) **LOC (14) Cl.** ..... **23-01**

(52) **U.S. Cl.**  
USPC ..... **D23/238**

(58) **Field of Classification Search**  
USPC ..... D23/238, 239, 240, 241, 242, 243, 246,  
D23/247, 249, 250, 251, 252, 253, 254,  
D23/255, 256, 257  
CPC ..... E03C 1/01; E03C 1/0409; E03C 1/025;  
E03C 1/0408; E03C 1/04; E03C 1/0401;  
E03C 1/0402; E03C 1/0405; E03C  
1/0412

See application file for complete search history.

(56) **References Cited**

**U.S. PATENT DOCUMENTS**

D607,544 S	*	1/2010	Roy	.....	D23/255
D629,873 S	*	12/2010	Roy	.....	D23/255
D705,399 S	*	5/2014	Flowers	.....	D23/238
D786,403 S	*	5/2017	Schoenherr	.....	D23/238
D860,396 S	*	9/2019	Seum	.....	D23/238
D883,440 S	*	5/2020	Seum	.....	D23/238
D954,209 S	*	6/2022	Upadhyaya	.....	D23/249
D970,698 S	*	11/2022	Yang	.....	D23/238

**FOREIGN PATENT DOCUMENTS**

CN	201830066856	*	2/2018
CN	202030105682.9	*	3/2020
KR	3020180011441	*	3/2018

**OTHER PUBLICATIONS**

Amazon, Moen Pulldown Kitchen Faucet, posted Jun. 27, 2017, [online], [visited Jan. 13, 2017]. Internet, <URL: <https://www.amazon.com/Moen-7864-One-Handle-Pulldown-Featuring/dp/B073K7BL8B/ref?th=1>> (Year: 2017).\*

Amazon, Moen Pulldown Sprayer Kitchen Faucet, posted Apr. 8, 2016, [online], [visited Jan. 13, 2023]. Internet, <URL: <https://www.amazon.com/87014SRS-Single-handle-Pull-down-Stainless-Dispenser/dp/B01E0M4PJ0/ref>> (Year: 2016).\*

Amazon, Appaso Pull Down Kitchen Faucet, posted Jun. 8, 2018, [online], [visited Jan. 13, 2023]. Internet, <URL: [https://www.amazon.com/dp/B0748CG1LV?pd\\_rd\\_=undefined&th=1](https://www.amazon.com/dp/B0748CG1LV?pd_rd_=undefined&th=1)> (Year: 2018).\*

\* cited by examiner

*Primary Examiner* — Samantha Wood

(74) *Attorney, Agent, or Firm* — Alan D. Kamrath; Karin L. Williams; Mayer & Williams PC

(57) **CLAIM**

The ornamental design for a faucet, as shown and described.

**DESCRIPTION**

FIG. 1 is a perspective view of a faucet showing my new design;

FIG. 2 is a front elevational view thereof;

FIG. 3 is a rear elevational view thereof;

FIG. 4 is a left side elevational view thereof;

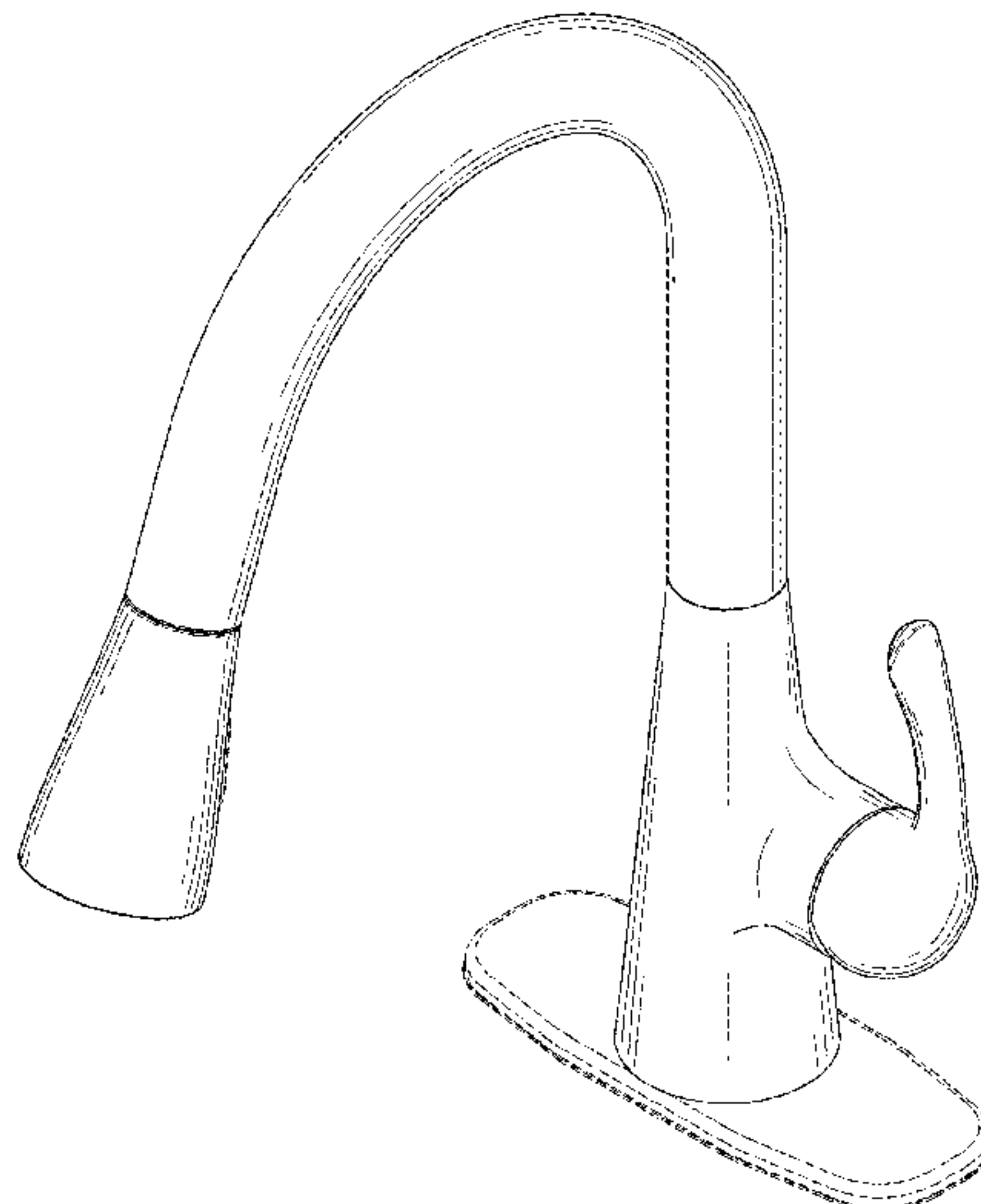
FIG. 5 is a right side elevational view thereof;

FIG. 6 is a top plan view thereof; and,

FIG. 7 is a bottom plan view thereof.

The ornamental design which is claimed is shown in solid lines in the drawings. The broken lines are included for the purpose of illustrating portions of the article and form no part of the claimed design. Broken lines formed of unequal length dashes (i.e., dash-dot) define bounds of the claimed design.

**1 Claim, 7 Drawing Sheets**



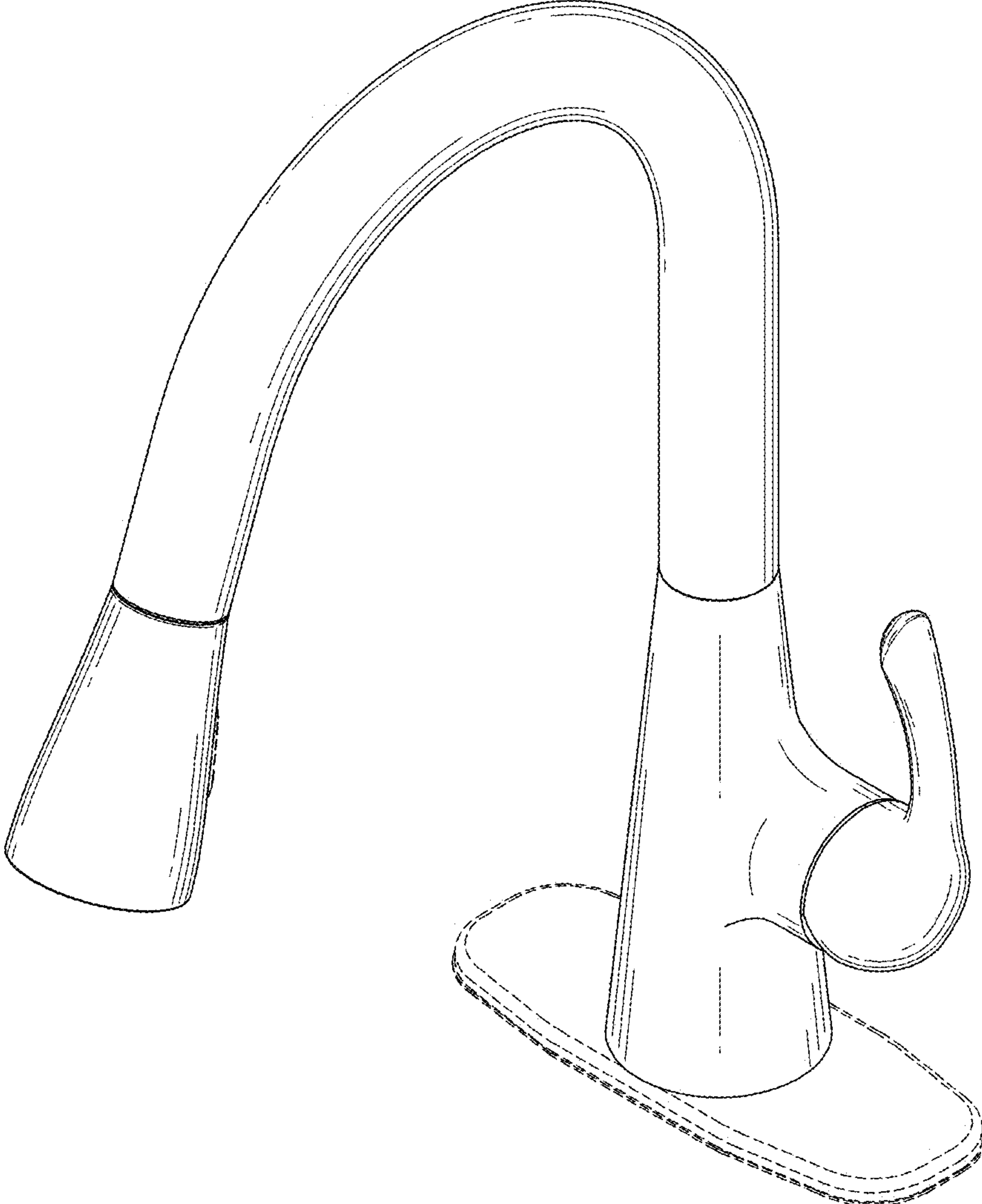


FIG. 1

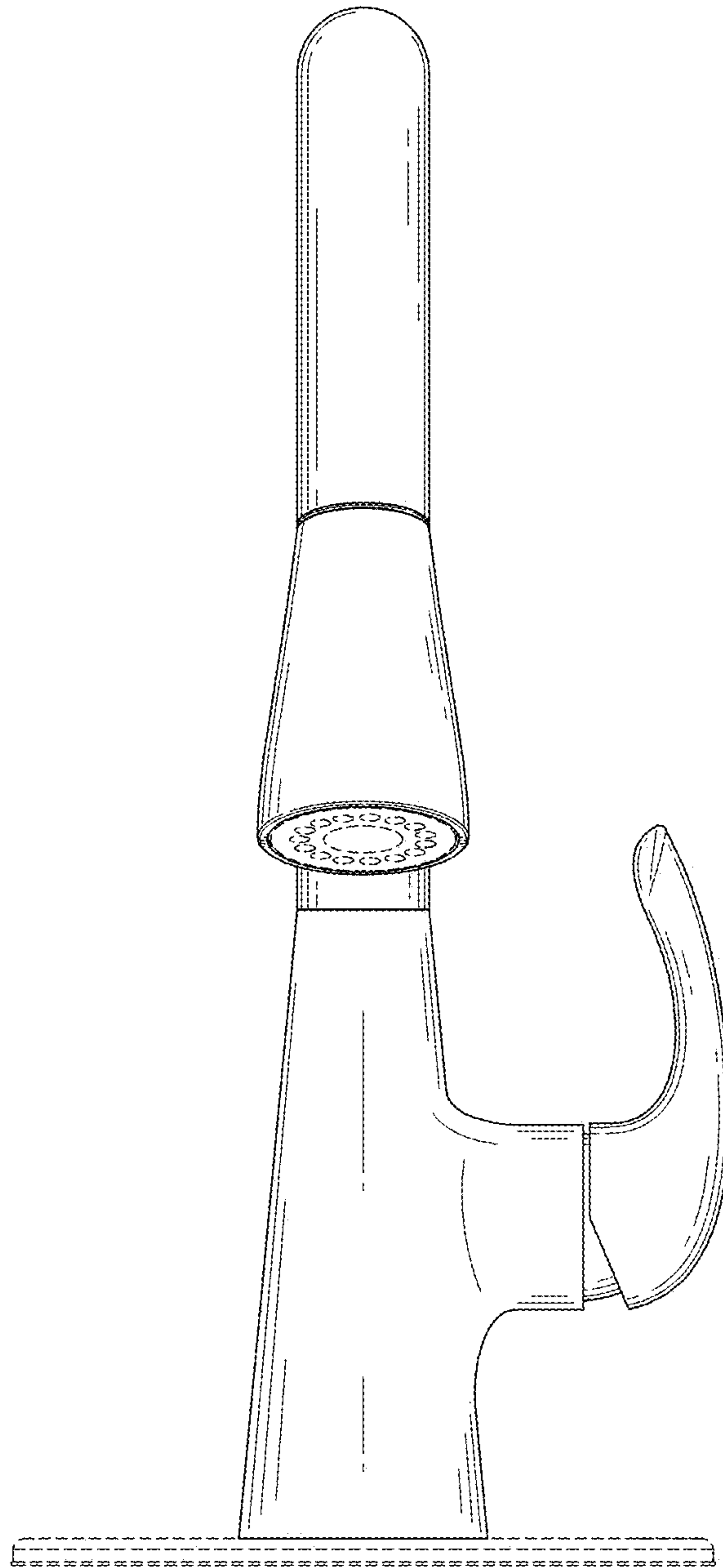


FIG. 2

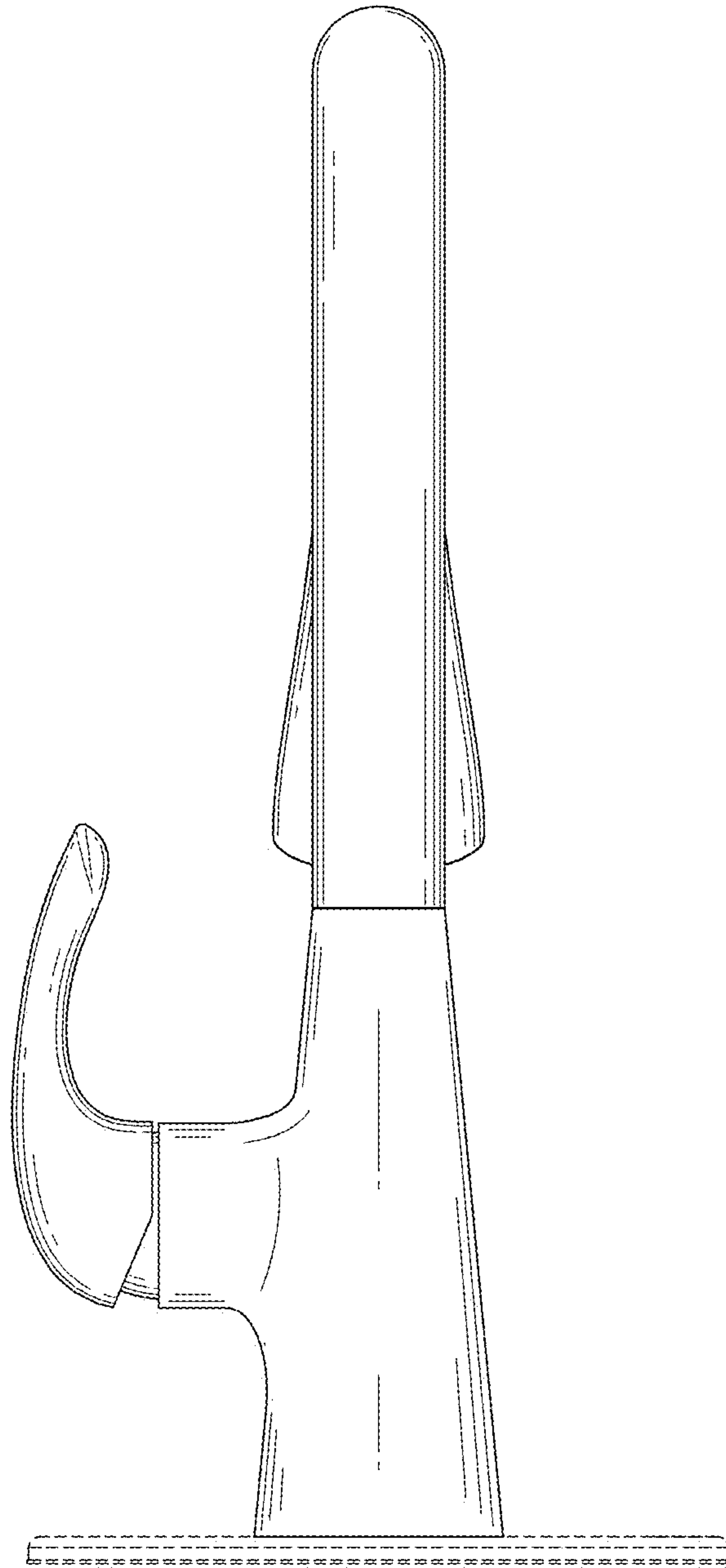


FIG. 3

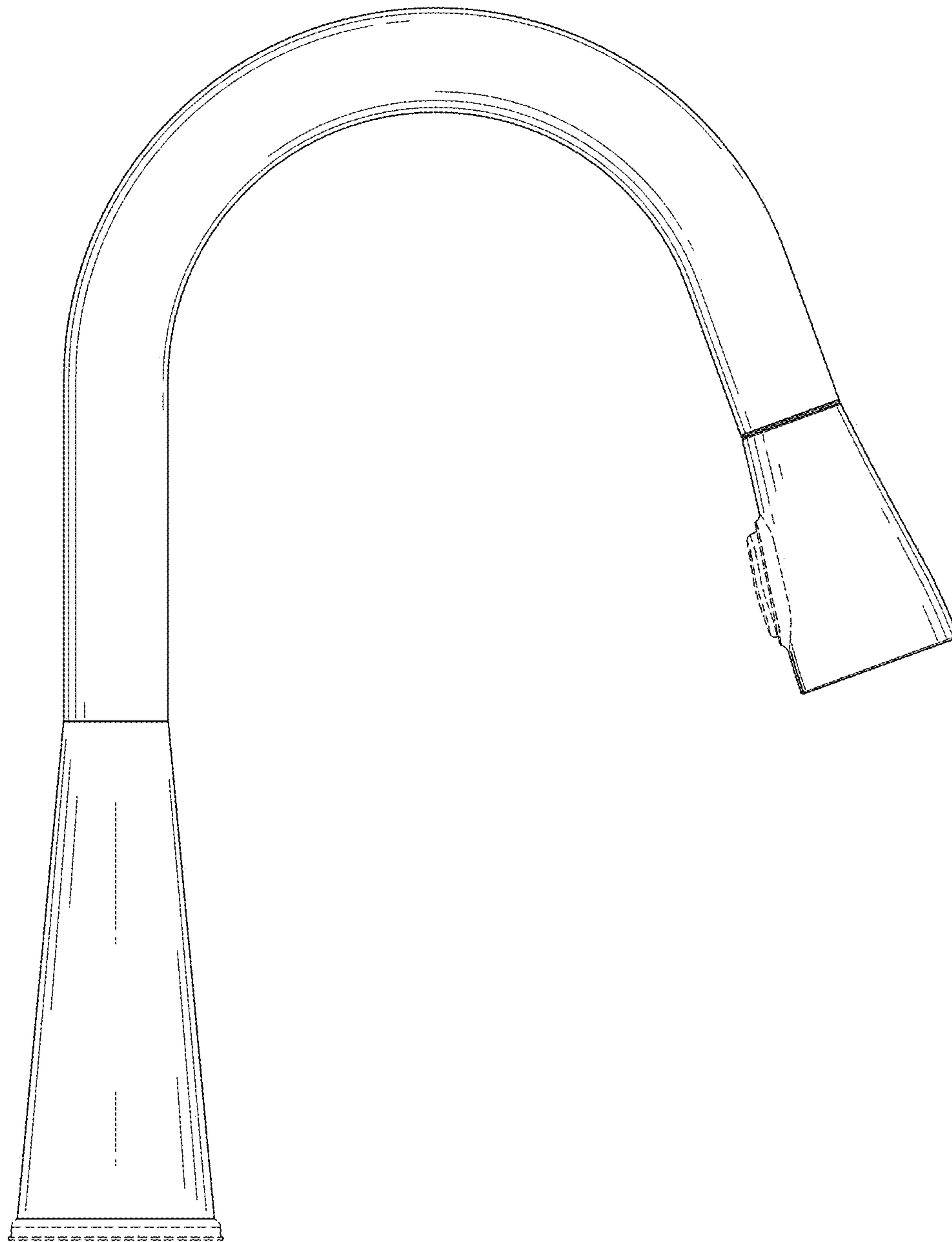


FIG. 4

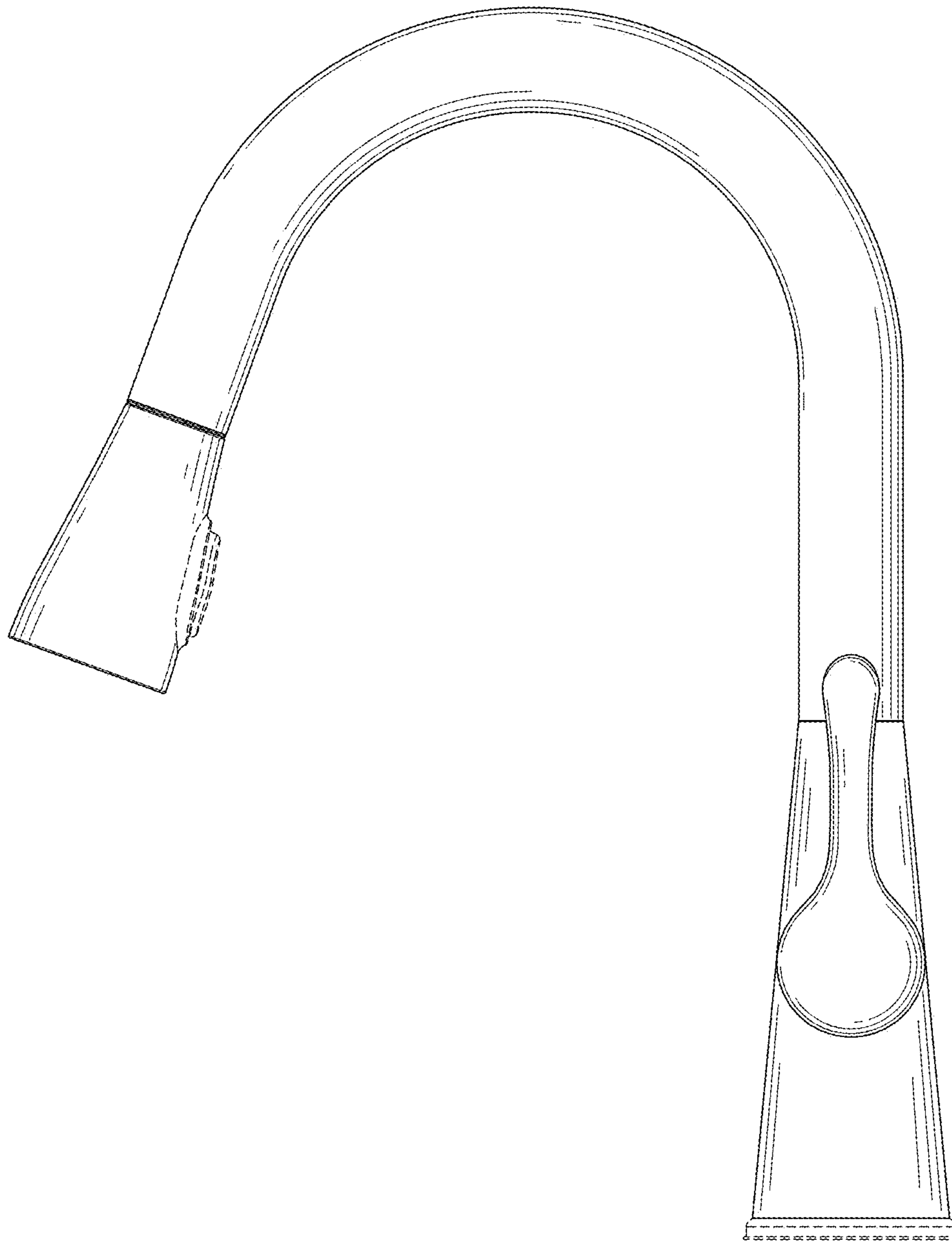


FIG. 5



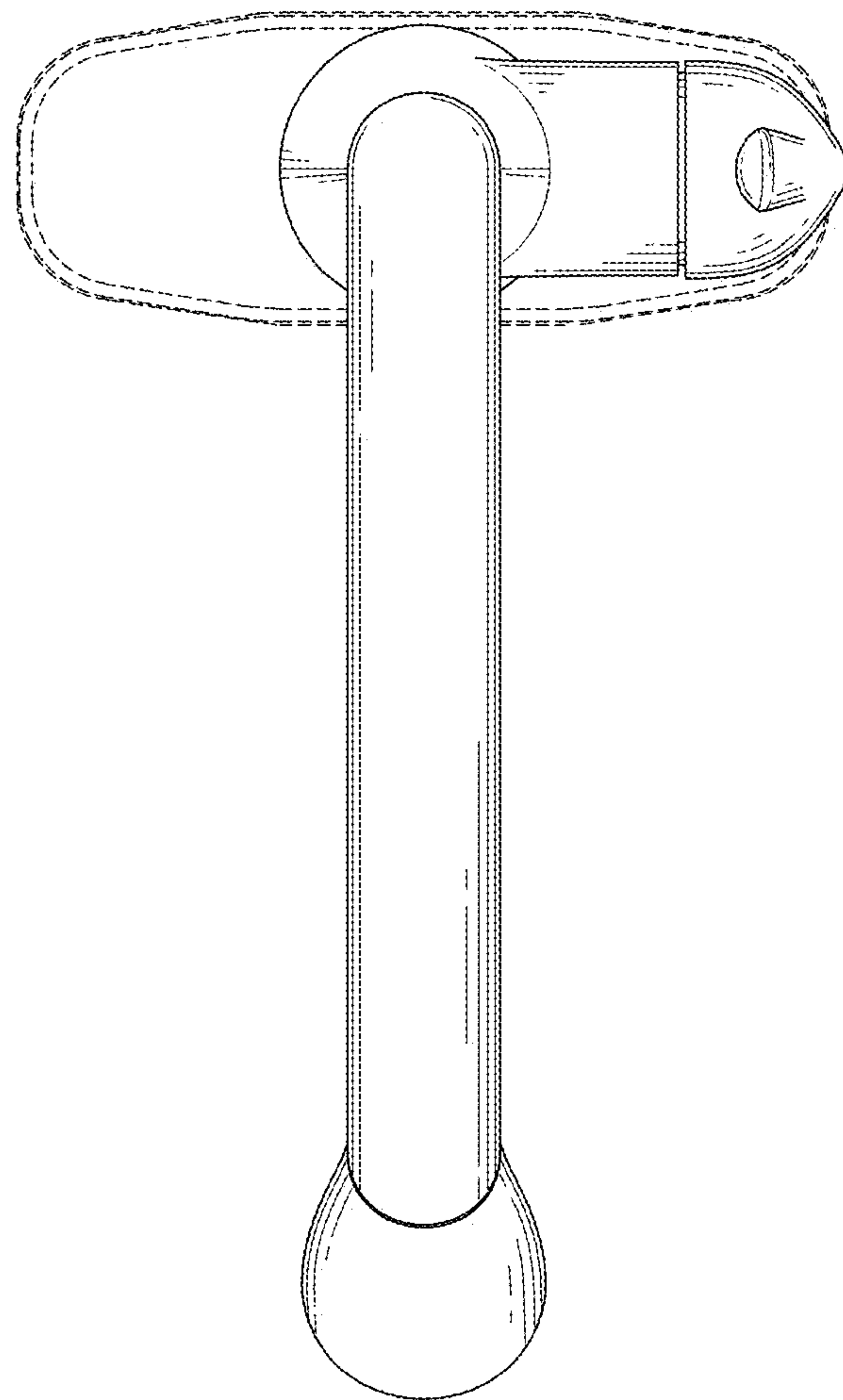


FIG. 6

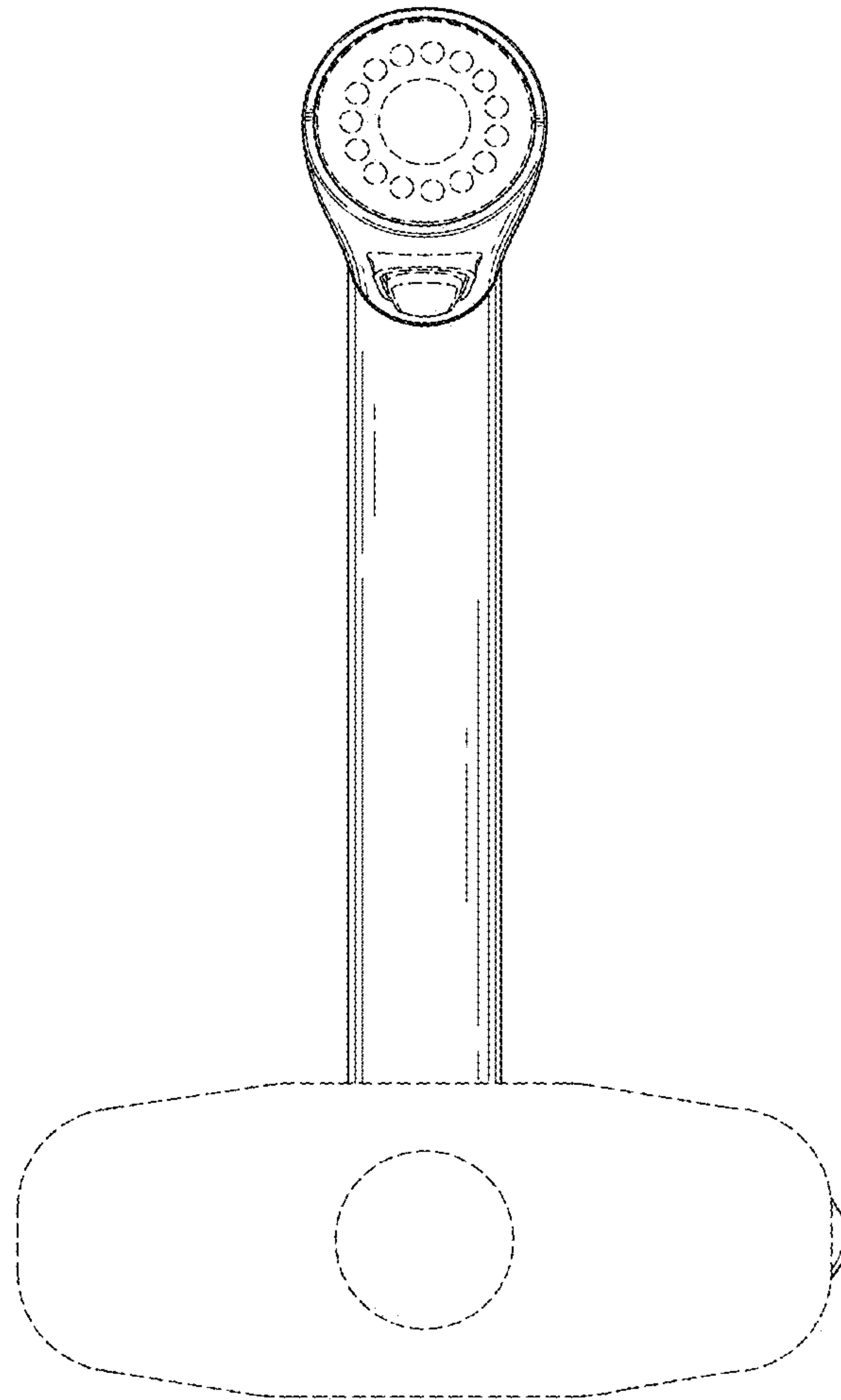


FIG. 7