



US00D987040S

(12) **United States Design Patent**
Chen et al.

(10) **Patent No.:** **US D987,040 S**
(45) **Date of Patent:** **** May 23, 2023**

- (54) **FAUCET**
- (71) Applicant: **GLOBE UNION INDUSTRIAL CORP.**, Taichung (TW)
- (72) Inventors: **Wei-Jen Chen**, Taichung (TW);
Yu-Chien Yang, Taichung (TW)
- (73) Assignee: **GLOBE UNION INDUSTRIAL CORP.**, Taichung (TW)

D662,183 S *	6/2012	Sieger	D23/238
D684,243 S *	6/2013	Lord	D23/238
D696,385 S *	12/2013	Flowers	D23/238
D886,956 S *	6/2020	Soulier	D23/255
D899,565 S *	10/2020	Soulier	D23/255
D908,193 S *	1/2021	Rockwell	D23/238
D919,768 S *	5/2021	Garland	D23/255
D952,799 S *	5/2022	Yang	D23/252
D954,185 S *	6/2022	Lazarini	D23/238
D960,324 S *	8/2022	Zhang	D23/238
D961,735 S *	8/2022	Kulig	D23/238
D967,934 S *	10/2022	Kulig	D23/238
D970,693 S *	11/2022	Wang	D23/238

(**) Term: **15 Years**

(21) Appl. No.: **29/767,270**

(22) Filed: **Jan. 21, 2021**

(51) **LOC (14) Cl.** **23-01**

(52) **U.S. Cl.**
USPC **D23/238**

(58) **Field of Classification Search**
USPC D23/238, 239, 240, 241, 242, 243, 246,
D23/247, 249, 250, 251, 252, 253, 254,
D23/255, 256, 257
CPC E03C 1/01; E03C 1/0409; E03C 1/025;
E03C 1/0408; E03C 1/04; E03C 1/0401;
E03C 1/0402; E03C 1/0405; E03C
1/0412

See application file for complete search history.

(56) **References Cited**

U.S. PATENT DOCUMENTS

D487,133 S *	2/2004	Haug	D23/257
D529,991 S *	10/2006	Egli	D23/238
D555,771 S *	11/2007	Noth	D23/238
D579,521 S *	10/2008	Kulig	D23/238
D597,175 S *	7/2009	Kulig	D23/238
D636,061 S *	4/2011	Kulig	D23/238
D636,062 S *	4/2011	Rubin	D23/238
D644,300 S *	8/2011	Yokoyama	D23/238
D649,227 S *	11/2011	Schaefer	D23/257

FOREIGN PATENT DOCUMENTS

CN 201530284719 * 7/2015

OTHER PUBLICATIONS

U.S. Appl. No. 29/699,422, filed Jul. 2019.*
(Continued)

Primary Examiner — Samantha Wood
(74) *Attorney, Agent, or Firm* — Muncy, Geissler, Olds & Lowe, P.C.

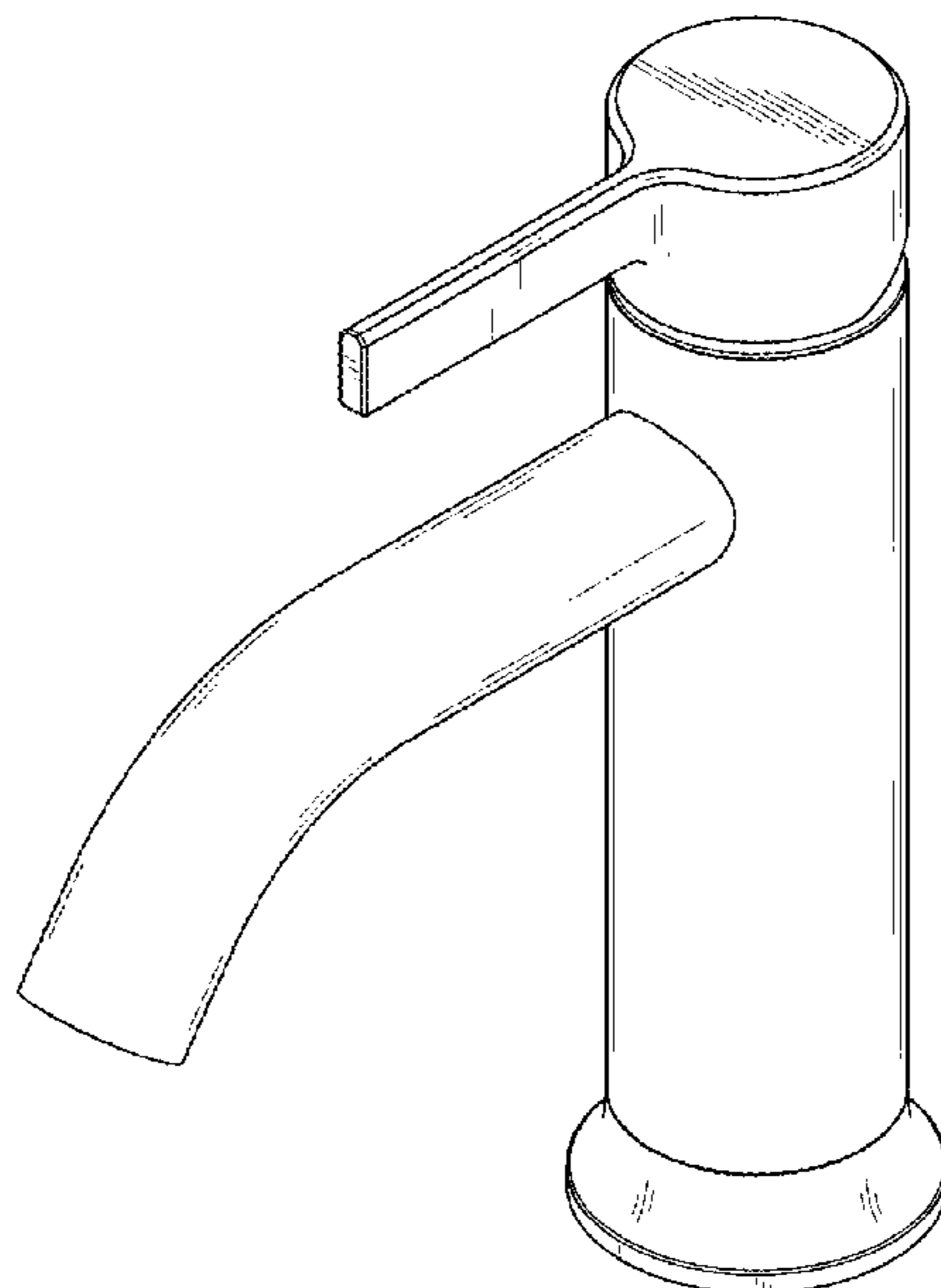
(57) **CLAIM**

The ornamental design for a faucet, as shown.

DESCRIPTION

FIG. 1 is a perspective view of a faucet of the present design;
FIG. 2 is a front view thereof;
FIG. 3 is a back view thereof;
FIG. 4 is a left side view thereof;
FIG. 5 is a right side view thereof;
FIG. 6 is a top view thereof; and,
FIG. 7 is a bottom view thereof.
In the drawings, the broken lines depict portions of the faucet that form no part of the claimed design.

1 Claim, 5 Drawing Sheets



(56)

References Cited

OTHER PUBLICATIONS

Amazon, BWE Brushed Nickel Bathroom Faucet, posted Jul. 28, 2022, [online], [visited Dec. 27, 2022]. Internet, <URL: <https://www.amazon.co.uk/BWE-Bathroom-Stainless-Commercial-Lavatory/dp/B0B1ZRCK61/ref>> (Year: 2022).*

Amazon, Yu Xin Mixer Taps for Bathroom, posted Apr. 25, 2018, [online], [visited Dec. 27, 2022], Internet, <URL: <https://www.amazon.co.uk/dp/B07KK6GJPT/ref>> (Year: 2018).*

* cited by examiner

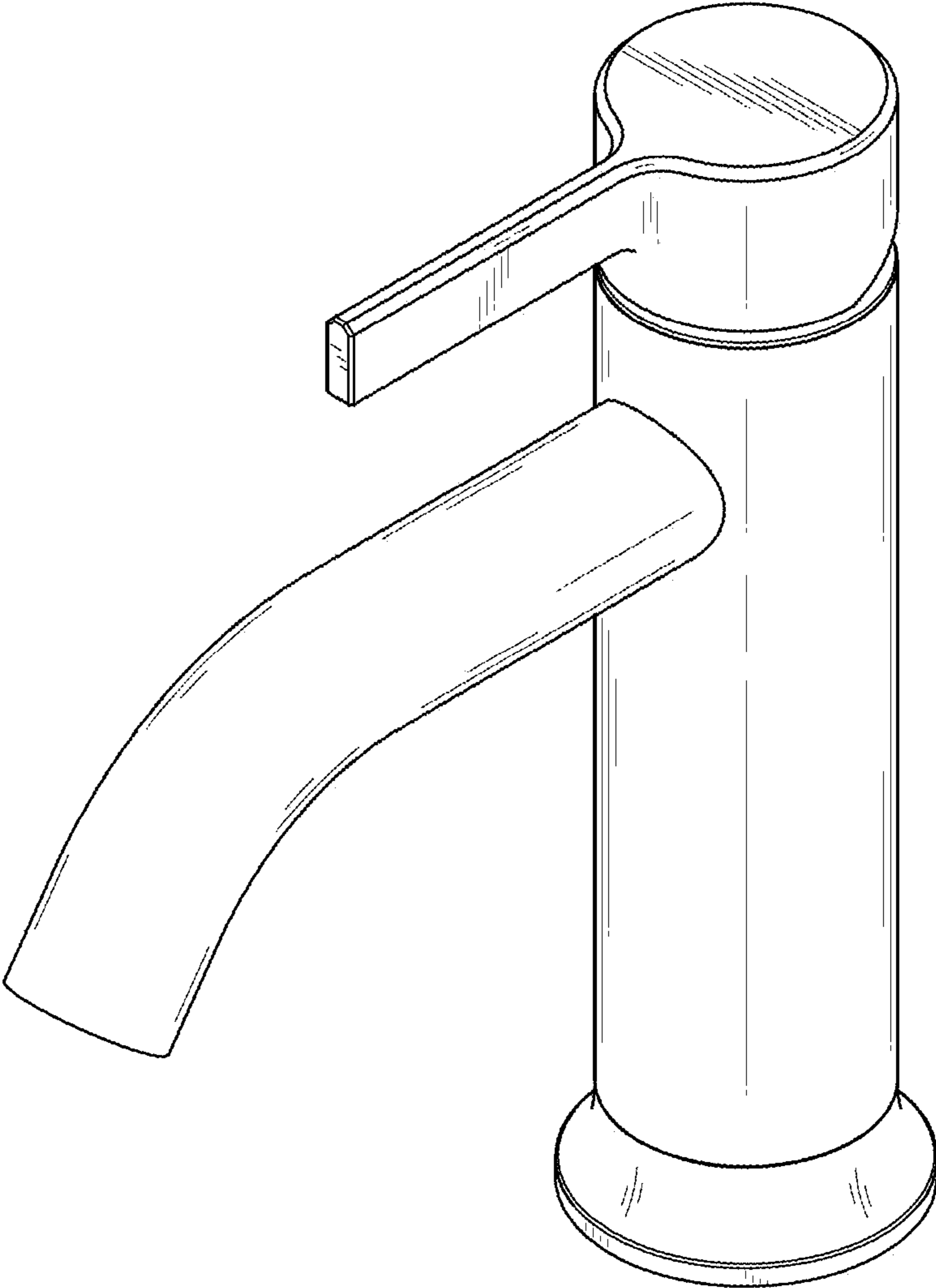


FIG. 1

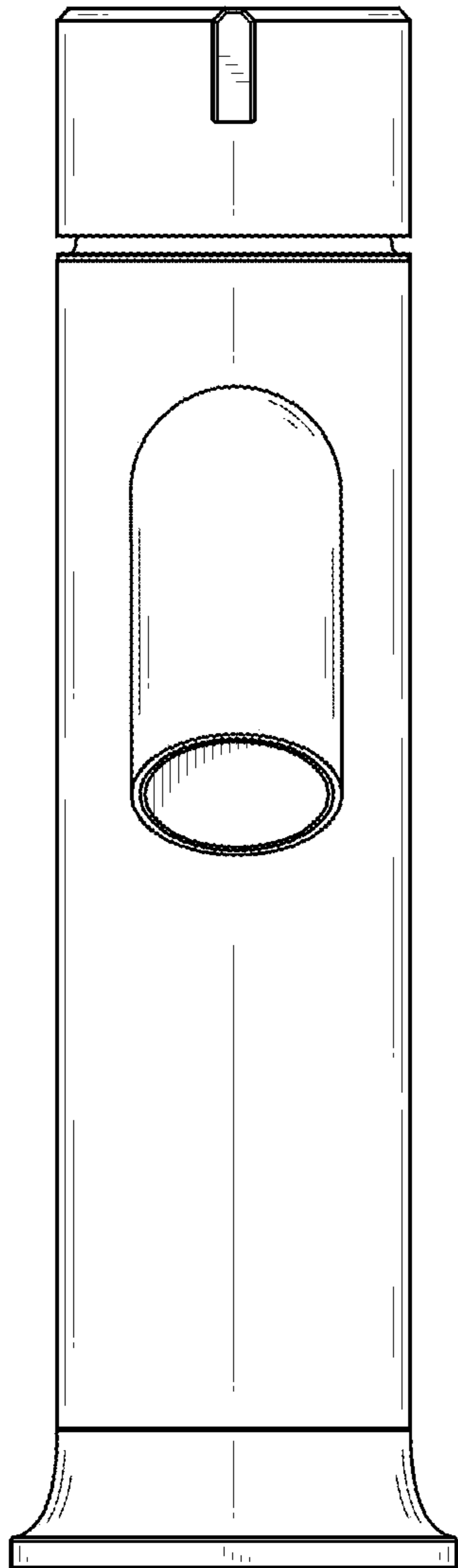


FIG. 2

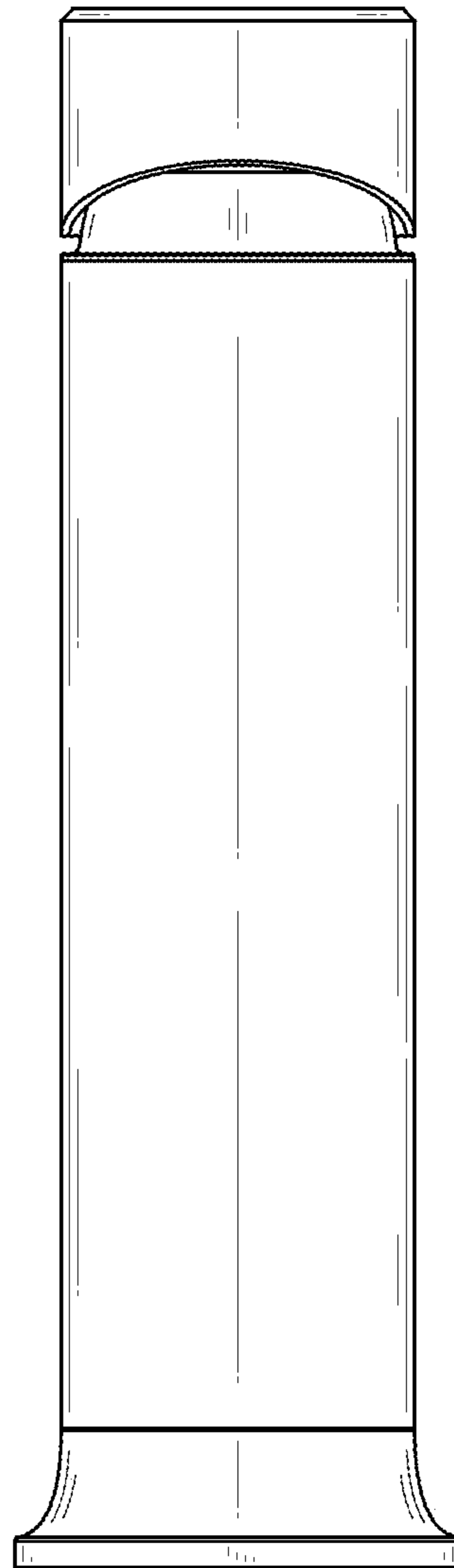


FIG. 3

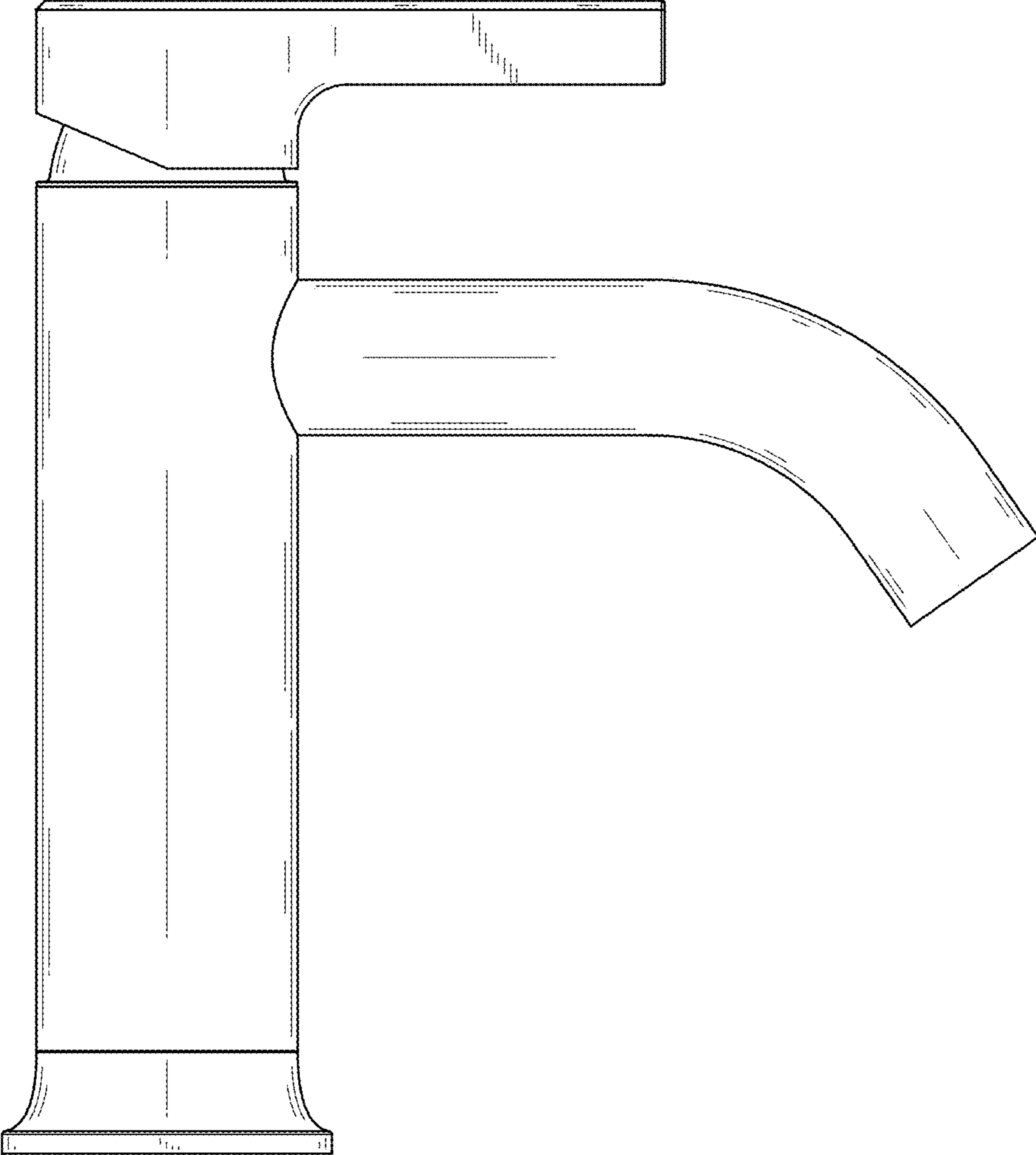


FIG. 4

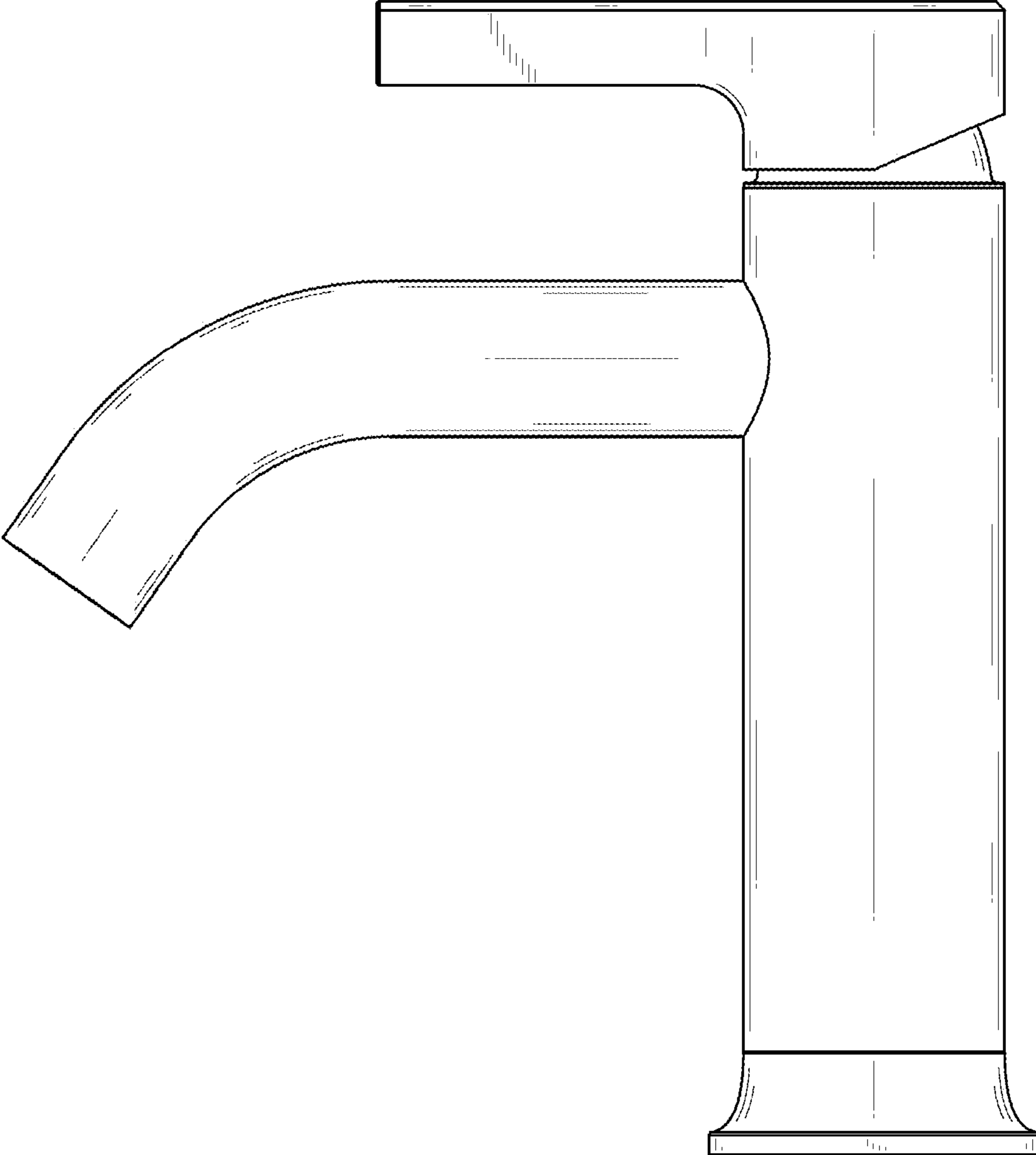


FIG. 5

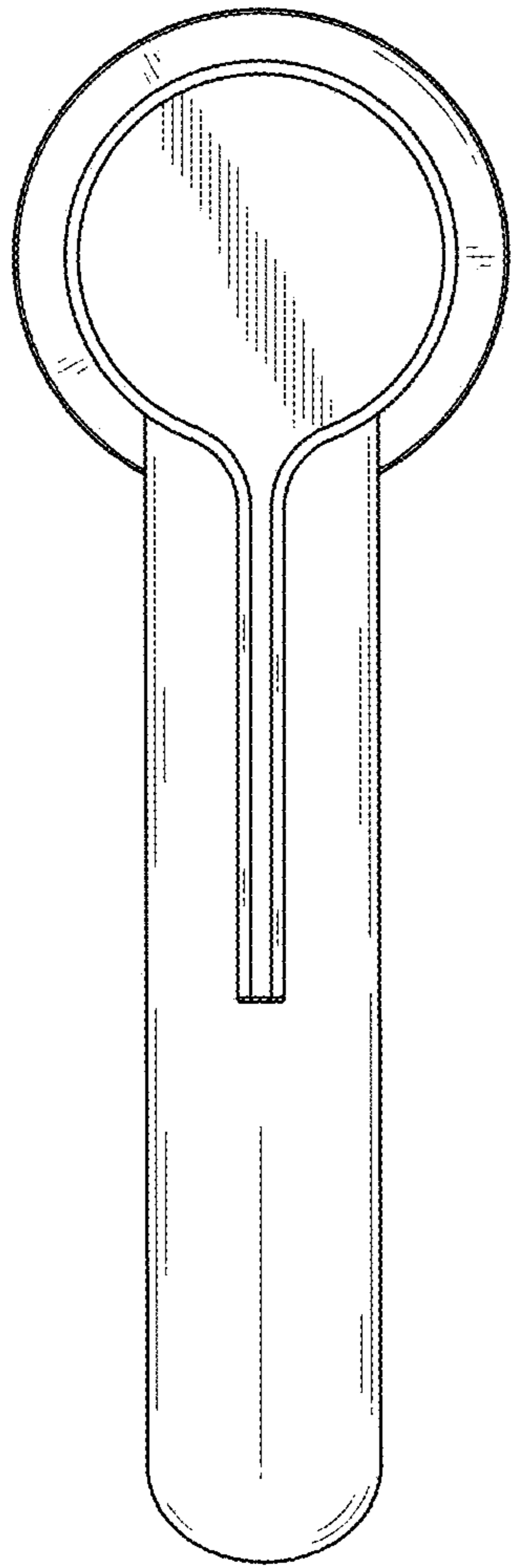


FIG. 6

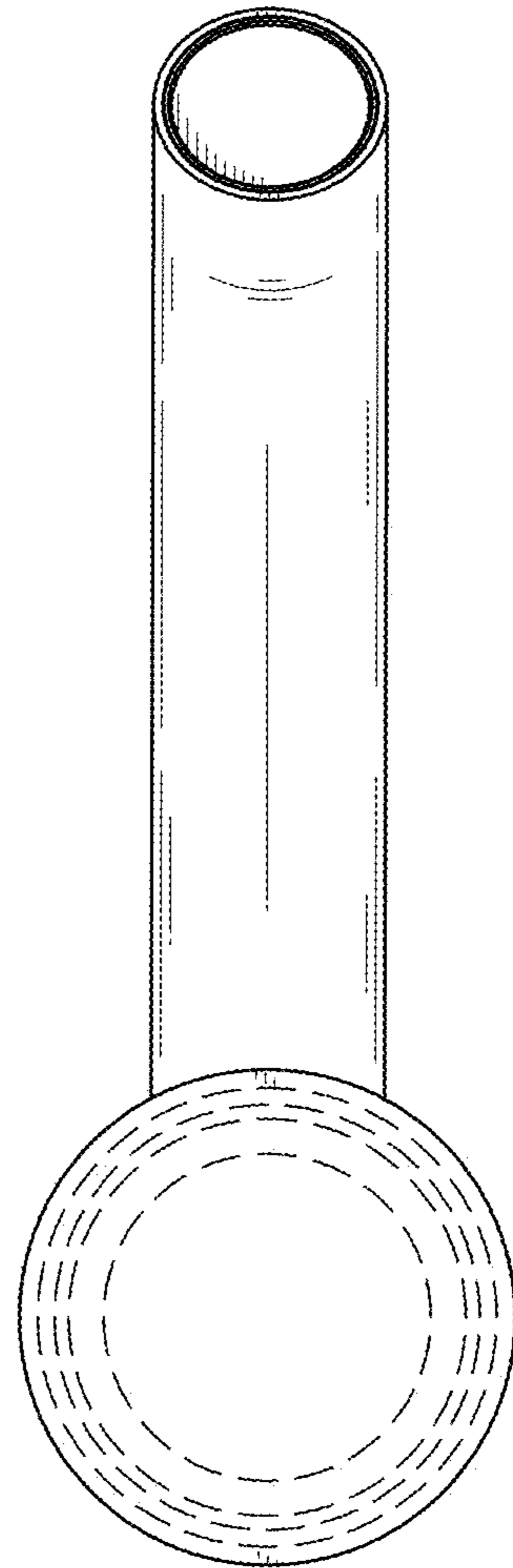


FIG. 7