



US00D987039S

(12) **United States Design Patent**
Deng

(10) **Patent No.:** **US D987,039 S**

(45) **Date of Patent:** **** May 23, 2023**

(54) **SWIMMING POOL VALVE**

(71) Applicant: **Huifeng Huang**, Shenzhen (CN)

(72) Inventor: **Wenjie Deng**, Shenzhen (CN)

(73) Assignee: **Huifeng Huang**, Shenzhen (CN)

(*) Notice: Patent file contains an affidavit/declaration under 37 CFR 1.130(b).

(**) Term: **15 Years**

(21) Appl. No.: **29/845,168**

(22) Filed: **Jul. 5, 2022**

(51) **LOC (14) Cl.** **23-01**

(52) **U.S. Cl.**
USPC **D23/233**

(58) **Field of Classification Search**
USPC D23/233, 206, 210, 257, 261, 223, 235,
D23/244, 213, 259
CPC E04H 4/1218; E04H 4/12; F16K 3/0218;
F16K 11/0743; Y10T 137/86863; Y10T
137/86533

See application file for complete search history.

(56) **References Cited**

U.S. PATENT DOCUMENTS

D332,822 S	1/1993	Reid et al.	
D497,976 S *	11/2004	Goetz	D23/245
D601,661 S *	10/2009	Foster	D23/233
D610,652 S *	2/2010	Ben-Nun	D23/233
D667,930 S *	9/2012	Yamada	D23/233
D690,324 S *	9/2013	Kienzle	D15/9
D736,896 S *	8/2015	Nishimura	D23/233
D751,673 S *	3/2016	Gledhill	D23/259
D757,218 S *	5/2016	Murphey	D23/237
D758,540 S *	6/2016	Shishido	D23/233
D762,819 S *	8/2016	Shishido	D23/235
9,897,216 B1 *	2/2018	Kuo	F16K 27/067
D820,956 S *	6/2018	Ito	D23/233
D838,812 S *	1/2019	Komatsuzaki	D23/235
D855,153 S *	7/2019	Yamada	D23/235

D862,642 S *	10/2019	Frenal	D23/233
D872,834 S *	1/2020	Howard	D23/235
D886,248 S *	6/2020	Ji Ho	D23/262

(Continued)

FOREIGN PATENT DOCUMENTS

CN 202030063201.2 * 2/2020

OTHER PUBLICATIONS

[1] Poolhacker Pool Plunger Valve Plus for Intex, Pool Pipe Holder with Plunger Valve for Intex Pool Parts and Accessories, Shut Off Valve for Above Ground Pool, Replacement for Intex Pool Fittings (1), Reviewed in the United States on May 12, 2022 [online] [site visited Aug. 31, 2022] https://www.amazon.com/POOLHACKER-Plunger-Accessories-Replacement-Fittings/dp/B09SFYLY4D/ref=asc_df_B09SFYLY4D/?tag=hyprod-20&linkCode=df0&hvadid=563722786021&hvpos=&hvnetw=g&hvrnd=18189531078299792775&hvpone=&hvptwo=&hvqmt=&hvdev=c&hvdvcmld=&hvlocint=&hvlocphy=9007706&hvtargid=pla-1644955673469&th=1 (Year: 2022).*

(Continued)

Primary Examiner — Amy C Wierenga

Assistant Examiner — Andrea Marie McKay

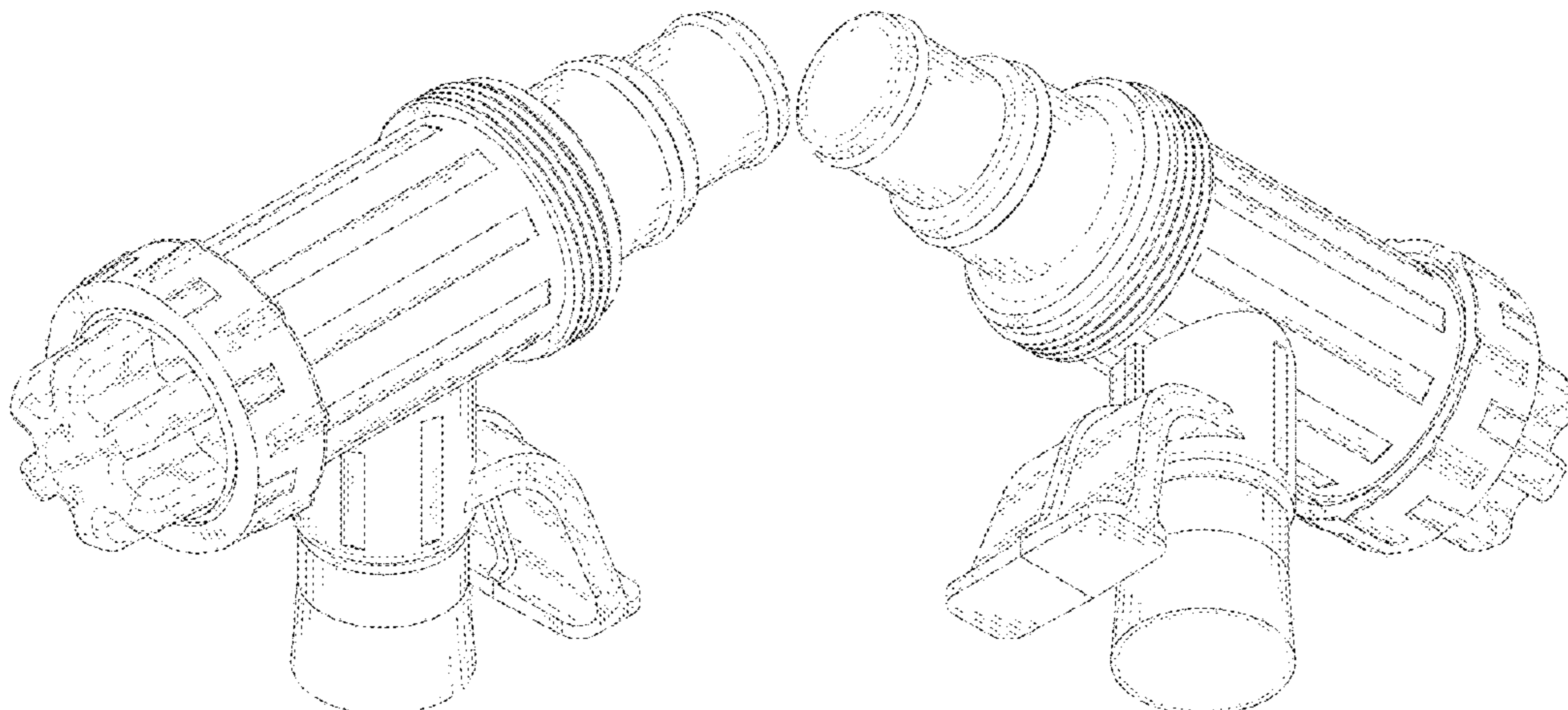
(57) **CLAIM**

The ornamental design for a swimming pool valve, as shown and described.

DESCRIPTION

FIG. 1 is a front and top perspective view of a swimming pool valve, showing my new design;
FIG. 2 is a rear and bottom perspective view thereof;
FIG. 3 is a front elevation view thereof;
FIG. 4 is a rear elevation view thereof;
FIG. 5 is a left side elevation view thereof;
FIG. 6 is a right side elevation view thereof;
FIG. 7 is a top plan view thereof; and,
FIG. 8 is a bottom plan view thereof.

(Continued)



The broken lines in the figures illustrate portions of the swimming pool valve that form no part of the claimed design.

1 Claim, 8 Drawing Sheets

(56)

References Cited

U.S. PATENT DOCUMENTS

D892,978	S	*	8/2020	Mikesch	D23/233
D901,634	S	*	11/2020	Chen	D23/223
D919,048	S	*	5/2021	Li	D23/233
D919,049	S	*	5/2021	Li	D23/233
D923,145	S	*	6/2021	Schott	D23/233
D924,361	S	*	7/2021	Matsushita	D23/235
D926,933	S	*	8/2021	Matsushita	D23/235
D927,646	S	*	8/2021	Matsushita	D23/235
D957,592	S	*	7/2022	Downie	D23/262

OTHER PUBLICATIONS

[2] Summerbuddy Pool Hose Adapter for Above Ground Swimming Pool, Pool Replacement Parts with Plunger Valve and Pool Pipe Holder Compatible with Intex/Bestway/Stock Tank Pool, Pool Pump Parts 2 Pack, Reviewed in the United States on Jun. 29, 2022

[online] [site visited Aug. 31, 2022] https://www.amazon.com/dp/B09Z48VBGX/ref=sspa_dk_detail_0?psc=1&pd_rd_i=B09Z48VBGX&pd_rd_w=TccEc&content-id=amzn1.sym.3be1c5b9-5b41-4830-a902-fa8556c19eb5&pf_rd_p=3be1c5b9-5b41-4830-a902-fa8556c19eb5&pf_rd_r=JNF8AWCAKX8CNJTQP6AE&pd_rd_wg=g0dYy&pd_rd_r=c897328d-4626-44e4-ac69-d904ba961606&s=lawn-garden&sp_csd=d2lkZ2V0TmFtZT1zcF9kZXRhaWw (Year: 2022).*

[3] Deeroll Pool Plunger Valve Plus for Above Ground Pool—2-in-1 Plunger Valve Replacement Parts, Pool Accessories for Intex/Bestway/Coleman Pool, ¼ Inch Pool Pipe Holder with Plunger Valve, Reviewed in the United States on Jul. 24, 2022 [online] [site visited Aug. 31, 2022] https://www.amazon.com/dp/B0B3MRRGX4/ref=sspa_dk_detail_1?pd_rd_i=B0B3MRRGX4&pd_rd_w=PjYsS&content-id=amzn1.sym.0b742f07-7677-4964-ab20-f8ff1dee69aa&pf_rd_p=0b742f07-7677-4964-ab20-f8ff1dee69aa&pf_rd_r=63RSJJ5GABPRWAPNY48J&pd_rd_wg=6Uc7L&pd_rd_r=e484b874-e0ba-4459-b51b51a-c97e2044e08c&s=lawn-garden&sp_csd=d2lkZ2V0TmFtZT1zcF9kZXRhaWw&spLa=ZW5jcnlwdGVkUXVhbGlmaWVyPUEySIJLUTBLQkpMS0RJJmVuY3J5cHRIZEikPUEwOTU2MjA1MTY0SEEzS1NRSRDKOSZlbnNy eXB0ZWRBZEikPUEwNjUzNTA1MjJXSTNSSUyRVJGSiZ3aWRnZXROYW1IPXNwX2RldGFpbF90aGVtYXRpYyZlY3Rpb249Y2xpY2tSZWRpcmVjdCZkb05vdExvZ0NsaWNrPXRydWU&th=1 (Year: 2022).*

* cited by examiner

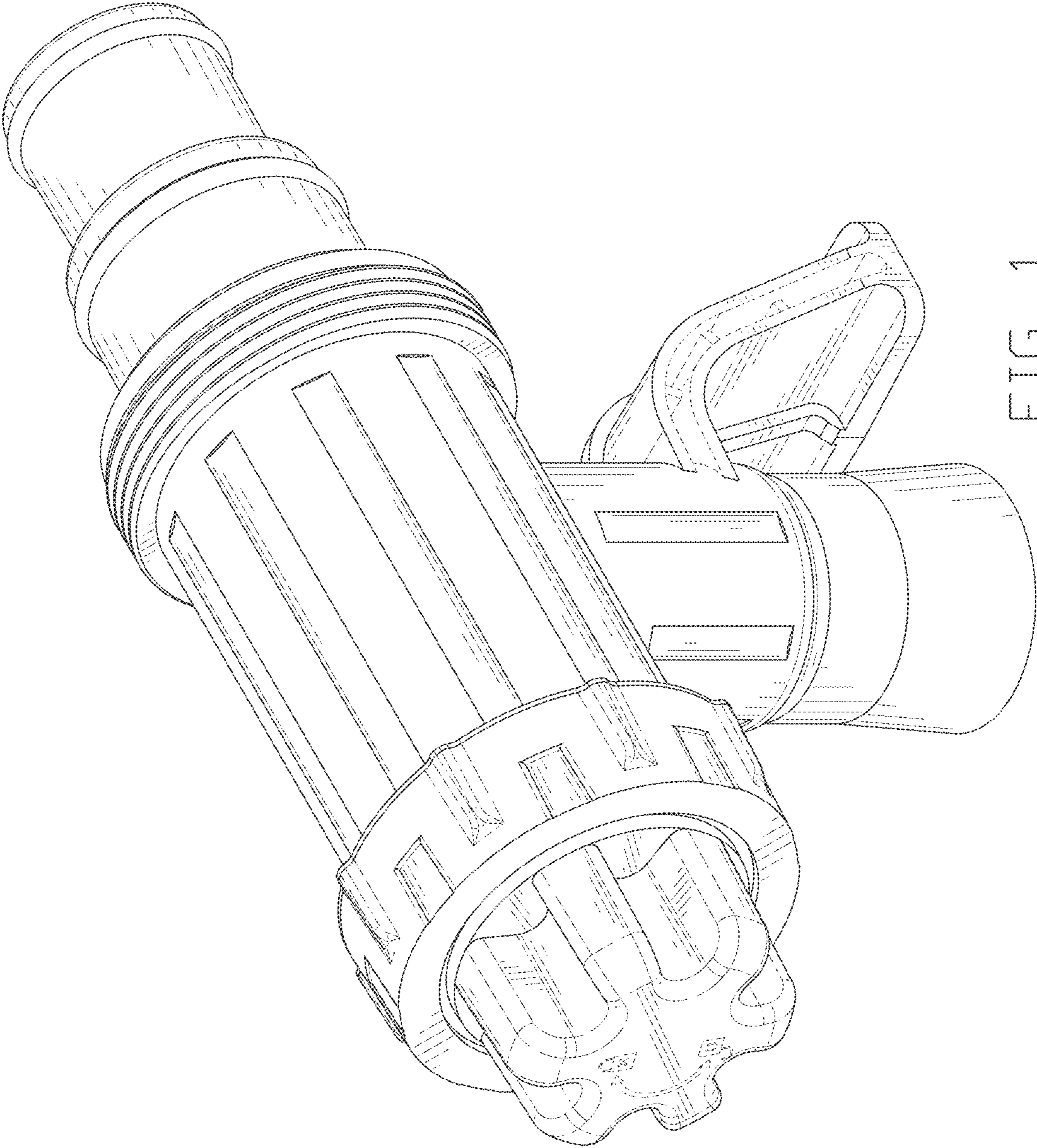


FIG. 1

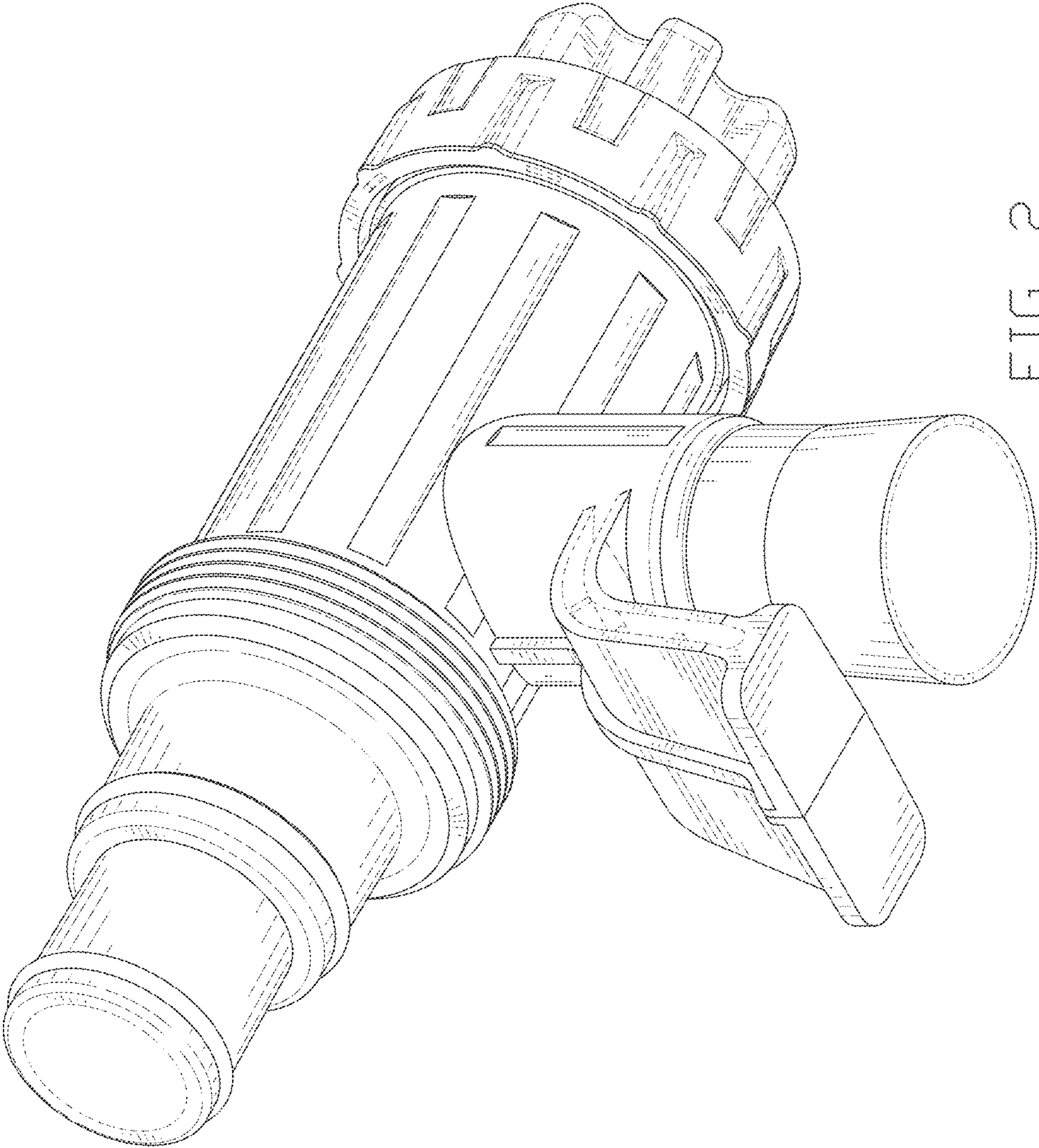


FIG. 2

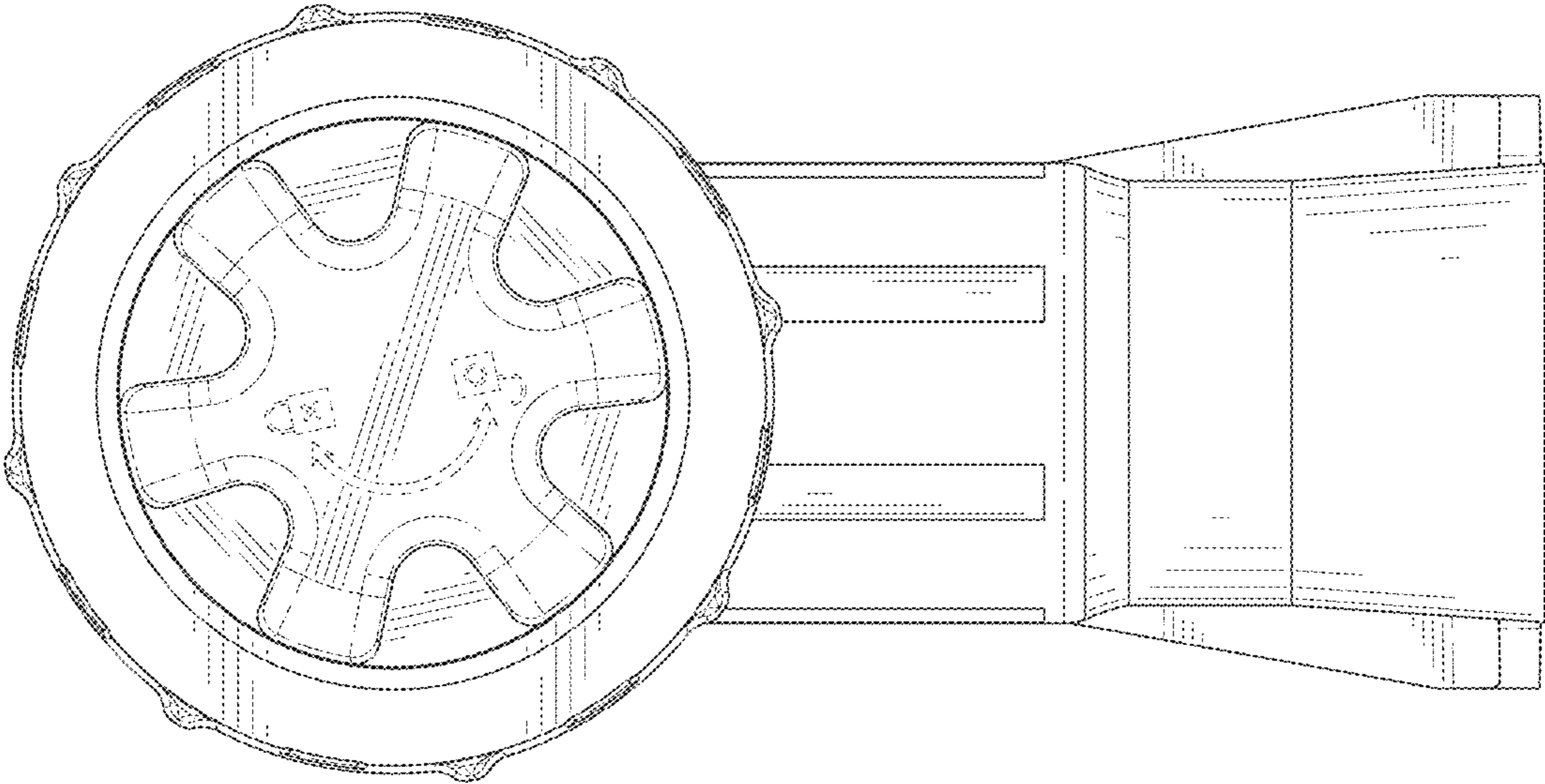


FIG. 3

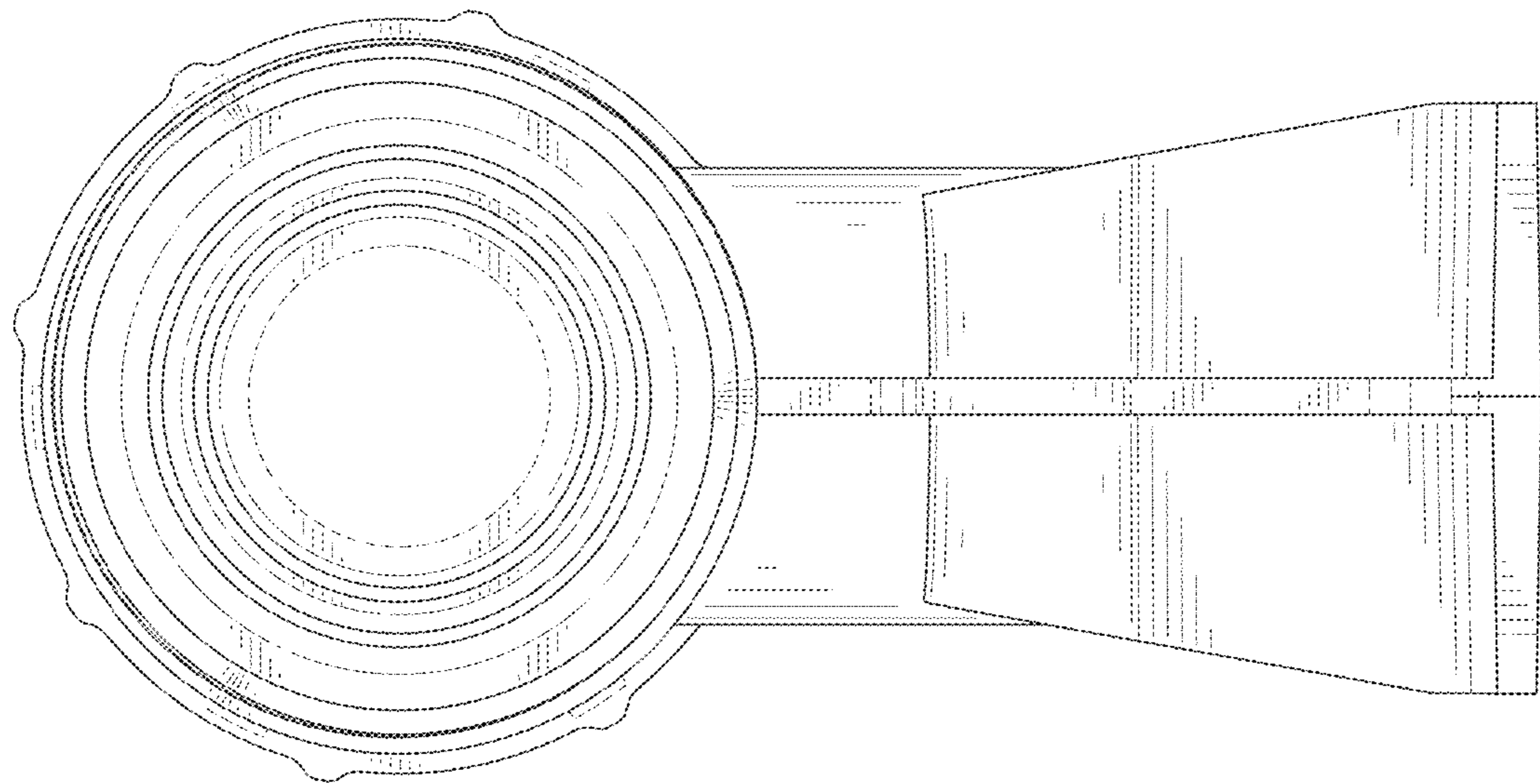
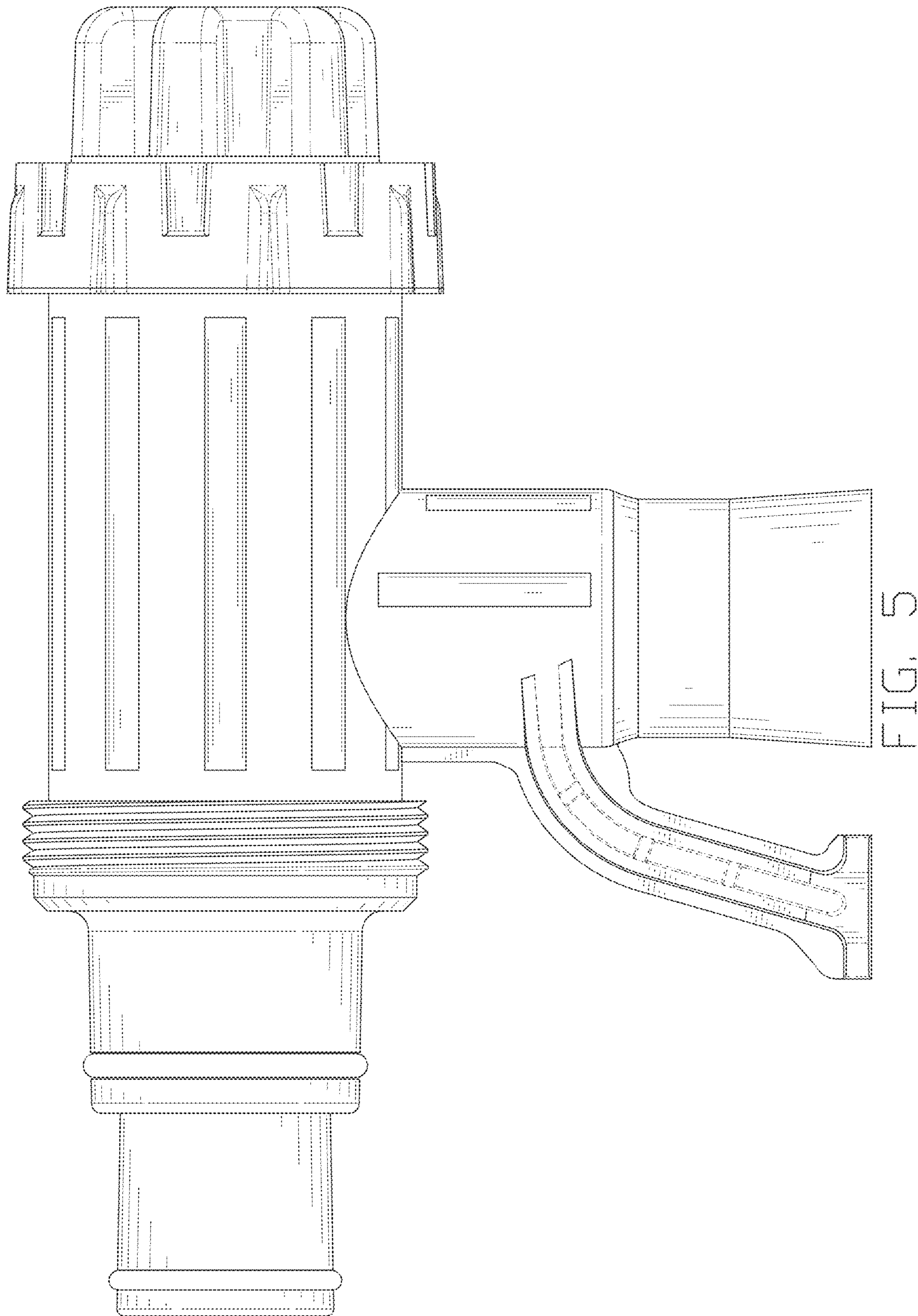


FIG. 4



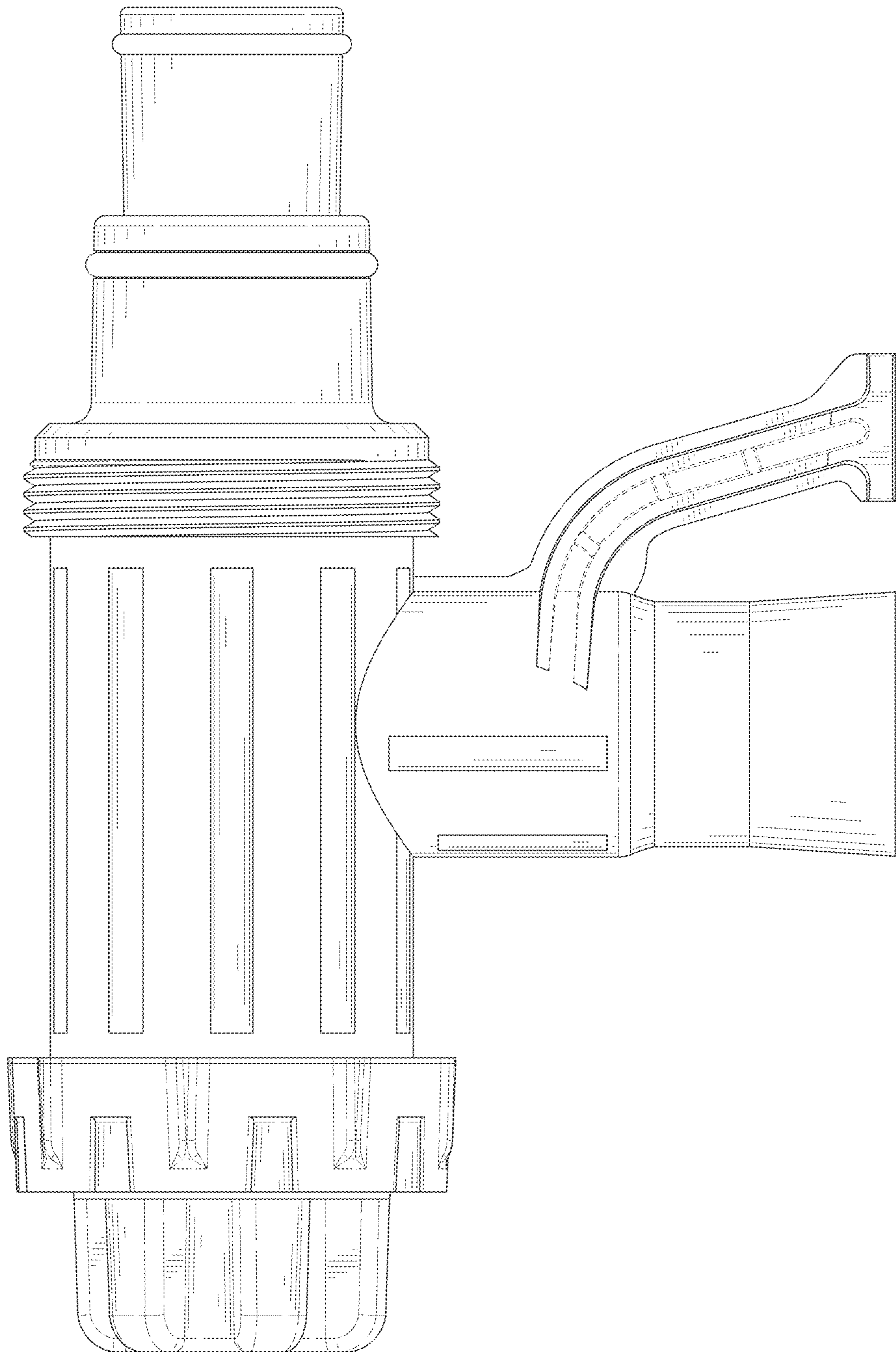


FIG. 6

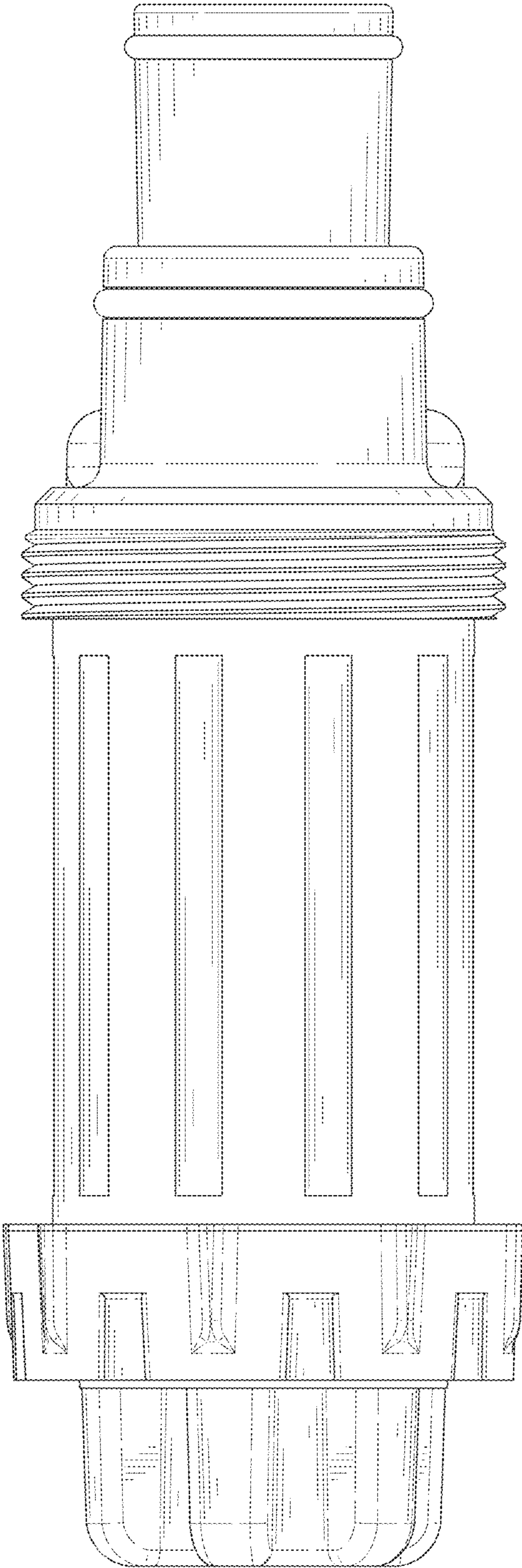


FIG. 7

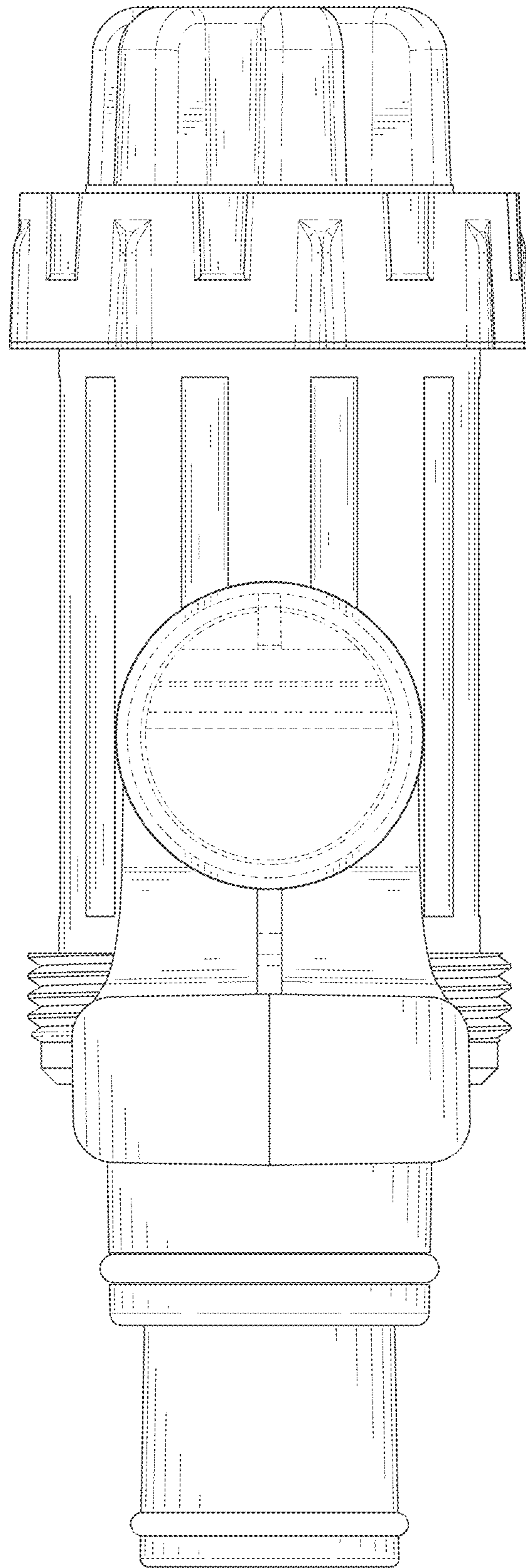


FIG. 8