



US00D987036S

(12) **United States Design Patent** (10) **Patent No.:** **US D987,036 S**
Craig (45) **Date of Patent:** **** May 23, 2023**

(54) **INTELLIGENT PLANTING APPARATUS**

(71) Applicant: **Corey Craig**, Auburn, AL (US)

(72) Inventor: **Corey Craig**, Auburn, AL (US)

(**) Term: **15 Years**

(21) Appl. No.: **29/832,789**

(22) Filed: **Mar. 30, 2022**

(51) **LOC (14) Cl.** **14-03**

(52) **U.S. Cl.**
USPC **D14/230**

(58) **Field of Classification Search**

USPC D14/217, 230, 358; D10/46, 65, 70, 74

CPC H04B 1/03; H04B 1/034; H04B 1/0343;

H04B 1/0346; H04B 1/3833; H04B

1/086; H05K 11/00; G01S 19/45; A01C

14/00

See application file for complete search history.

(56) **References Cited**

U.S. PATENT DOCUMENTS

D324,514 S * 3/1992 Ishida D14/358

D427,996 S * 7/2000 Heiligenstein D14/230

D470,482 S * 2/2003 Ikeda D14/230

D493,447 S * 7/2004 Noro D14/230

D511,699 S * 11/2005 Pan D10/70

D584,460 S 1/2009 Sweeney

(Continued)

FOREIGN PATENT DOCUMENTS

CN 302269748 S 1/2013

CN 302569722 S 9/2013

(Continued)

OTHER PUBLICATIONS

Milwaukee Tick Tool and Equipment Tracker, Apr. 16, 2017,
Amazon, site visited Dec. 23, 2022: <https://www.amazon.ca/dp/B01MZ8VWCJ/> (Year: 2017).*

(Continued)

Primary Examiner — Jack Reickel

Assistant Examiner — Bobby W Jones, II

(74) *Attorney, Agent, or Firm* — Bradley Arant Boulton
Cummings LLP

(57) **CLAIM**

What is claimed is the ornamental design for an intelligent planting apparatus, as shown and described.

DESCRIPTION

FIG. 1 is a top front perspective view showing the intelligent planting apparatus of Applicant's new design.

FIG. 2 is a top rear perspective view of the intelligent planting apparatus of FIG. 1.

FIG. 3 is a bottom front perspective view of the intelligent planting apparatus of FIG. 1.

FIG. 4 is a bottom rear perspective view of the intelligent planting apparatus of FIG. 1.

FIG. 5 is a top plan view of the intelligent planting apparatus of FIG. 1.

FIG. 6 is a bottom plan view of the intelligent planting apparatus of FIG. 1.

FIG. 7 is a front elevation view of the intelligent planting apparatus of FIG. 1.

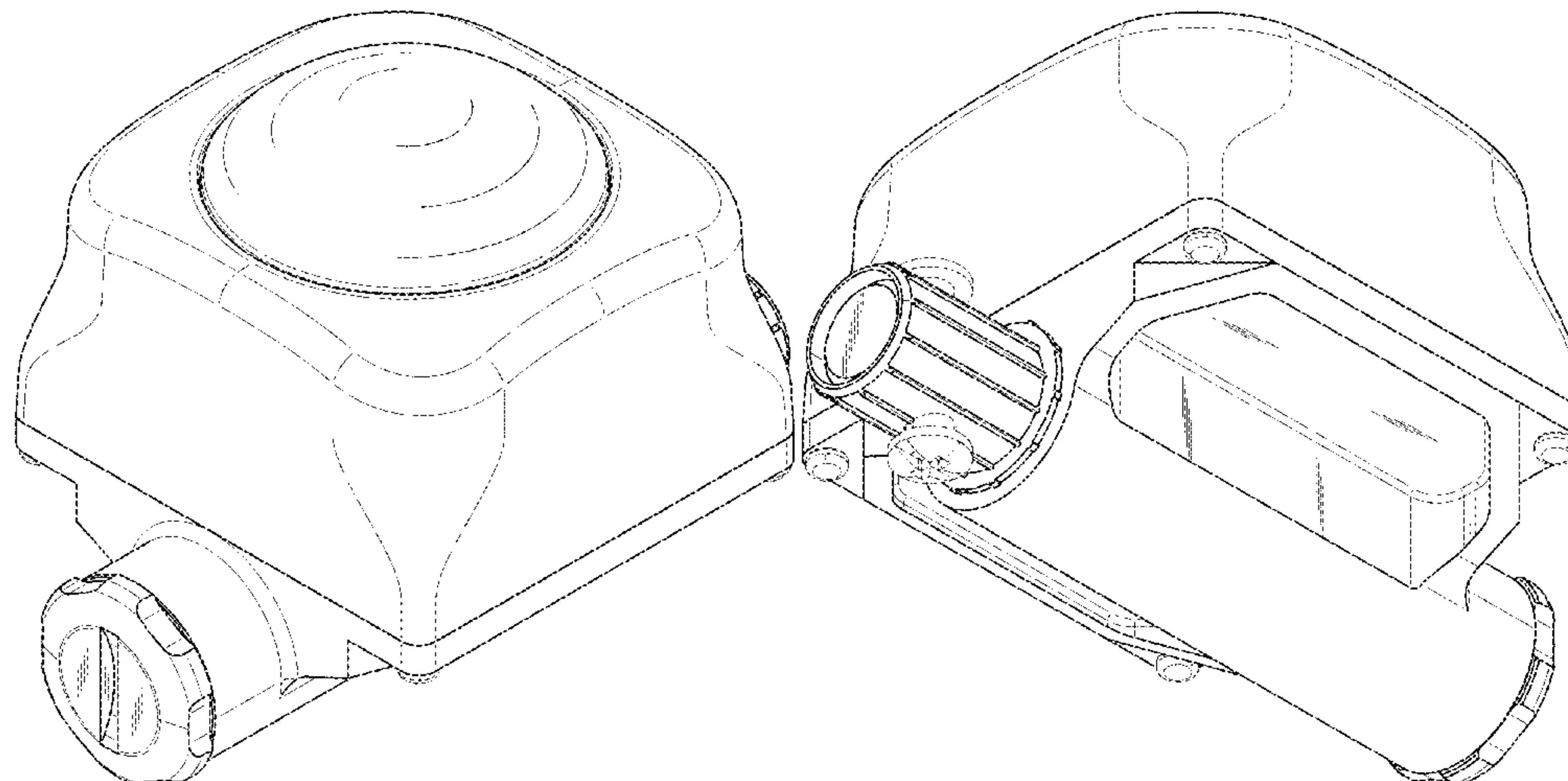
FIG. 8 is a rear elevation view of the intelligent planting apparatus of FIG. 1.

FIG. 9 is a right side elevation view of the intelligent planting apparatus of FIG. 1, the left side elevation view being an identical mirror image thereto; and,

FIG. 10 is a top front perspective view of the intelligent planting apparatus of FIG. 1 in combination with a planting utensil for context, shown in dash-dot broken lines, the planting utensil forming no part of the claimed design.

The broken lines in the drawings illustrate portions of the intelligent planting apparatus which form no part of the claimed design.

1 Claim, 10 Drawing Sheets



(56)

References Cited

U.S. PATENT DOCUMENTS

D589,946 S * 4/2009 Yamamoto D14/230
 D611,361 S * 3/2010 Knight D10/70
 D687,866 S 8/2013 Thompson et al.
 D687,867 S 8/2013 Thompson et al.
 D808,938 S * 1/2018 Gomez D14/230
 D829,120 S * 9/2018 Mitchell D10/104.1
 D877,126 S * 3/2020 DeCastro D14/230
 D883,929 S * 5/2020 Tanaka D13/123
 D884,512 S * 5/2020 McClain D10/70
 D899,948 S * 10/2020 Olivieri D10/65
 D901,462 S * 11/2020 Oba D14/230
 D908,656 S * 1/2021 Zimmerman, III D14/140.6
 D940,708 S * 1/2022 Avis D14/358
 D955,232 S * 6/2022 Frederic D10/46
 D957,573 S * 7/2022 Craig D23/223
 D971,043 S * 11/2022 Moeller D10/70
 D973,040 S * 12/2022 Liu D14/230
 2019/0096207 A1 * 3/2019 Salgarelli G03B 17/02
 2020/0116535 A1 * 4/2020 Craig G01S 5/0027

FOREIGN PATENT DOCUMENTS

CN 303114610 S 9/2013
 CN 303114611 S 2/2015
 CN 304432886 S 10/2017
 CN 304432887 S 12/2017
 CN 304505857 S 2/2018
 CN 304620698 S 5/2018
 CN 305620698 5/2018
 CN 304855999 S 10/2018
 CN 305542002 S 1/2020
 CN 305699283 S 4/2020
 CN 305806934 S 5/2020
 CN 305962449 S 8/2020
 CN 306107511 S 10/2020

CN 306366355 S 3/2021
 CN 306540070 S 5/2021
 CN 306547577 S 5/2021
 CN 306710224 S 7/2021
 CN 306727767 S 8/2021
 CN 307071215 S 1/2022
 EM 001382920001 2/2004
 EM 0024079240026 2/2014
 EM 0014485420001 4/2016
 GN 304851221 S 10/2018
 IN 350907_001_0001 12/2021
 JP D1246197 6/2005
 WO 084230-038 2/2014

OTHER PUBLICATIONS

PlanetGPS Saturn 4G, Dec. 13, 2016, Amazon, site visited Dec. 23, 2022: <https://www.amazon.ca/dp/B01MRWX970/> (Year: 2016).
 Amazon.com (Feb. 8, 2022). Bully Tools 92381 All Steel Dibble Bar with T-Style Handle: Plating Bar: Tools & Home Improvement. <https://www.amazon.com/Bully-Tools-92381-8-Inch-T-Style/dp/B0031575ZO>, 7 pages.
 Electroprime (Feb. 8, 2022). Moisture Soil Tester Sensor Plastic 3 in 1 Detector Lawns Plant Hygrometer—<https://stopshopswipe.com/electroprime-moisture-soil-tester-sensor-plastic-3-in-1-detector-lawns-plant-hygrometer>, 4 pages.
 Amazon.com (Feb. 8, 2022). FreshDcart Solar Soil Plant Care New 3 in 1 Water Moisture Hydroponic Plants Soil Sensor Ph Light Meter,Acidity Tester. https://www.amazon.in/FreshDcart-Moisture-Hydroponic-Plants-Acidity/dp/B07BFVM59/ref-asc_df_B07BFVM59Z/?tag=googleshopdes-21&link, 8 pages.
 Electroprime (Feb. 8, 2022). Soil Hygrometer Intensity Meter Plant Sensor Detection Module Gardening, <https://stopshopswipe.com/electroprime-soil-hygrometer-intensity-meter-plant-sensor-detection-module-gardening>, 4 pages.

* cited by examiner

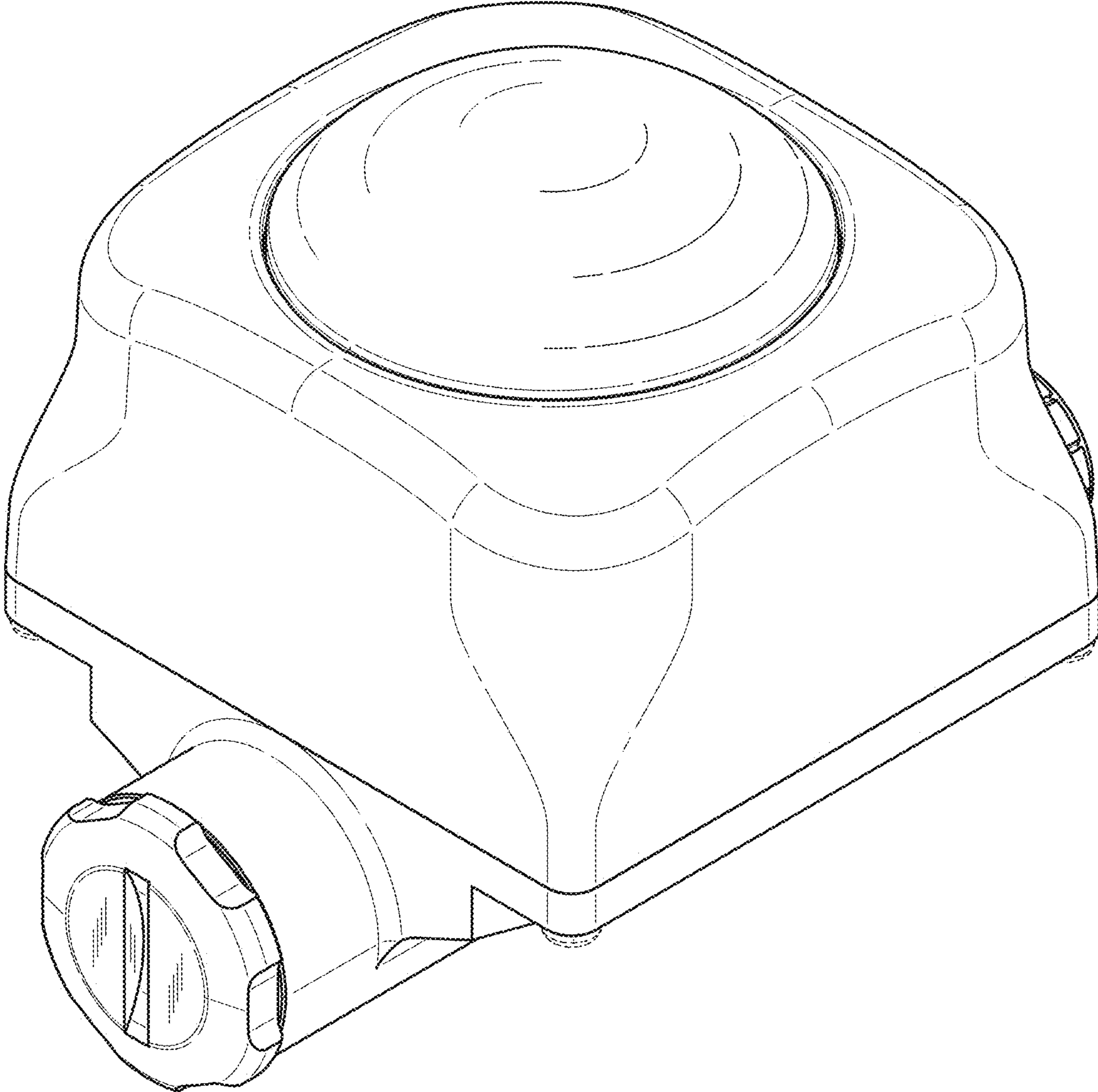


FIG. 1

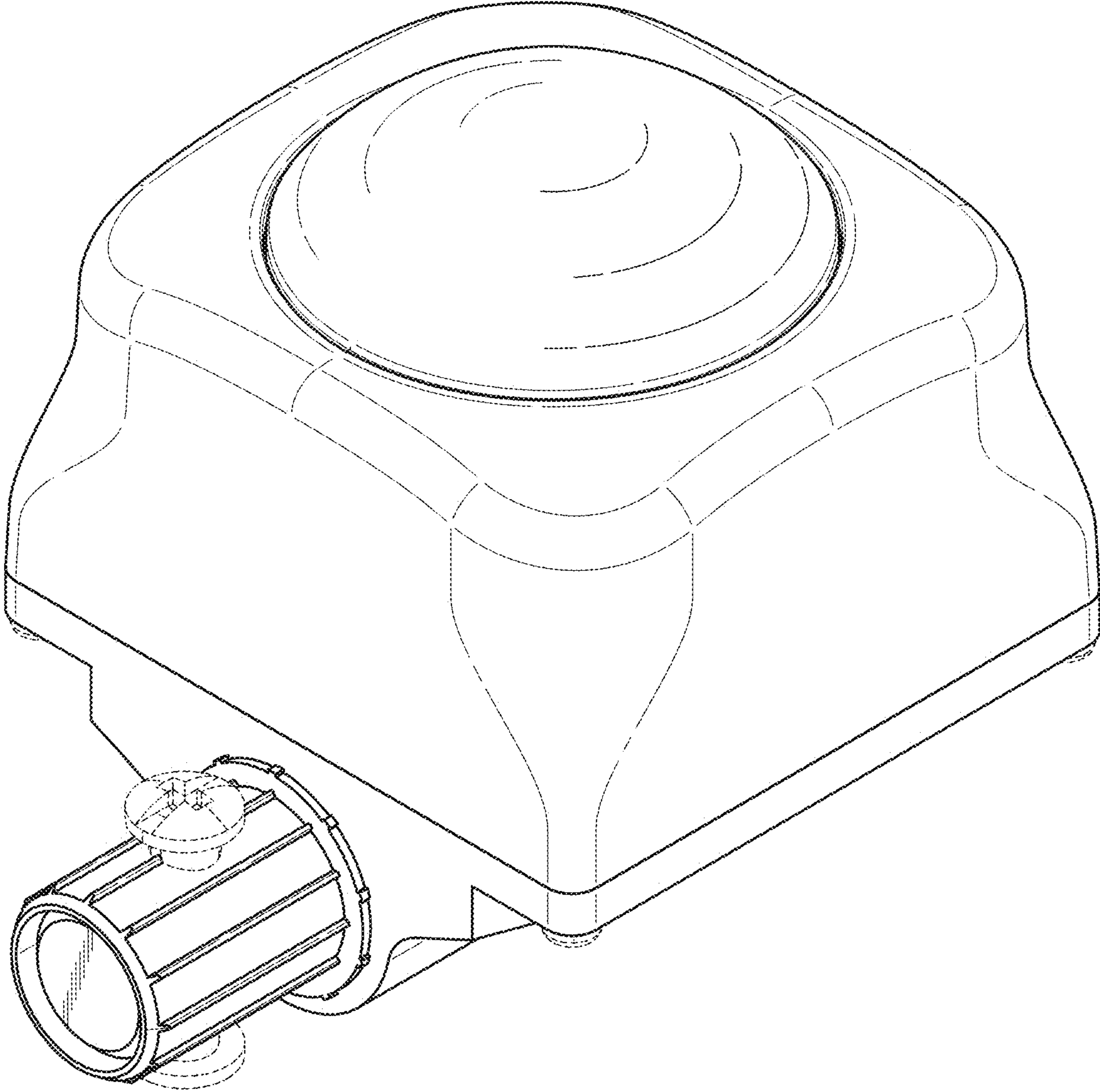


FIG. 2

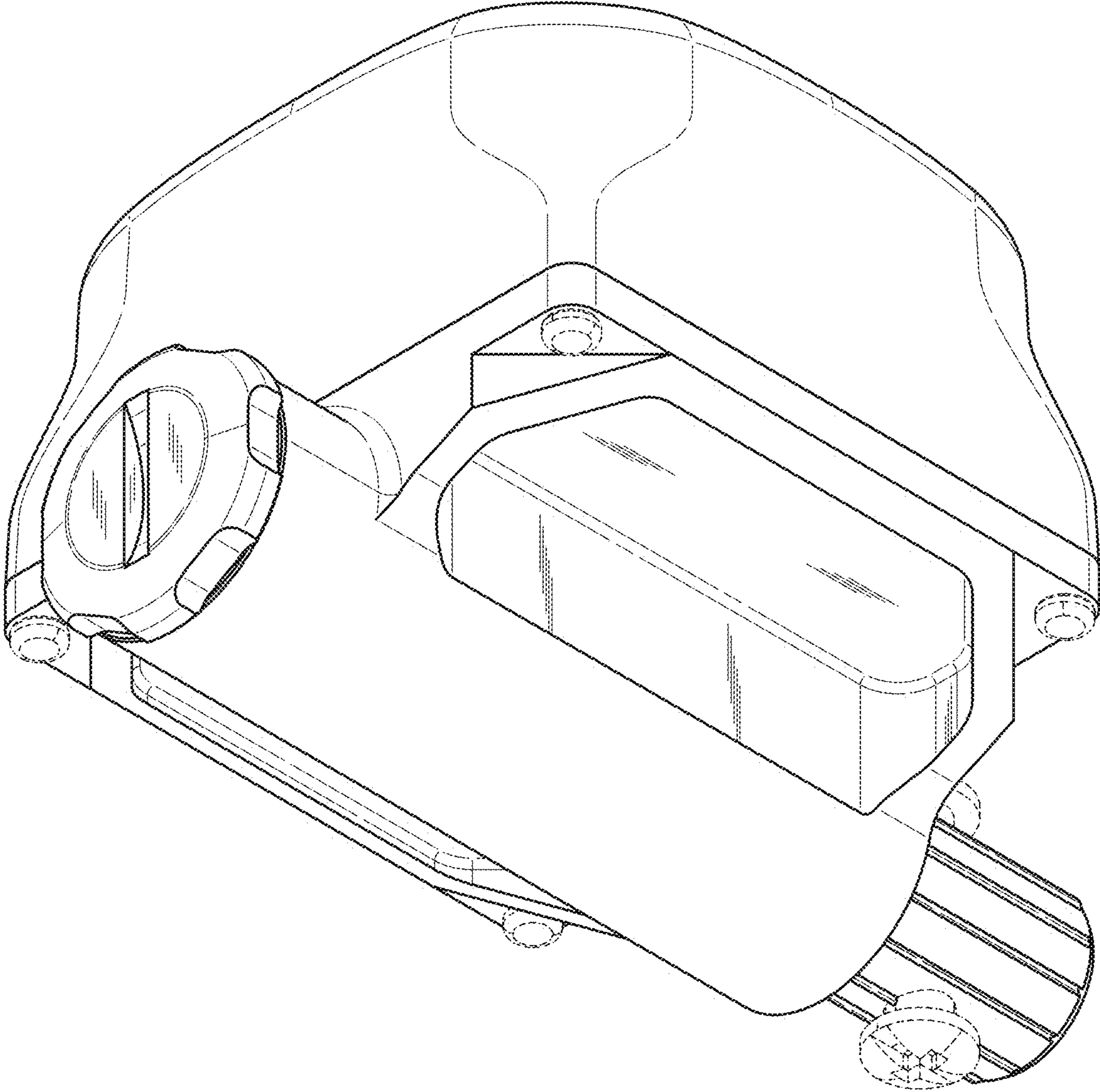


FIG. 3

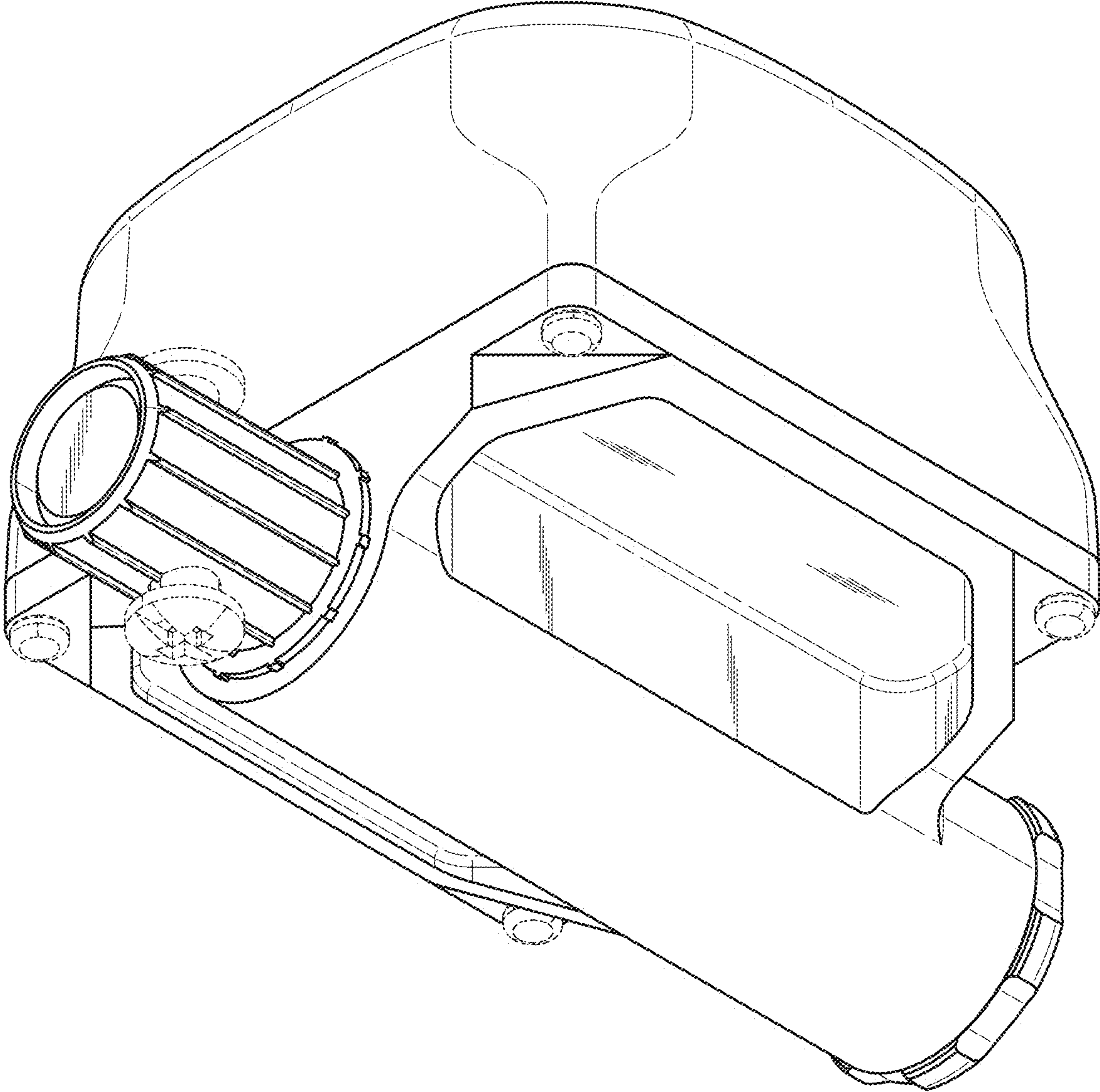


FIG. 4

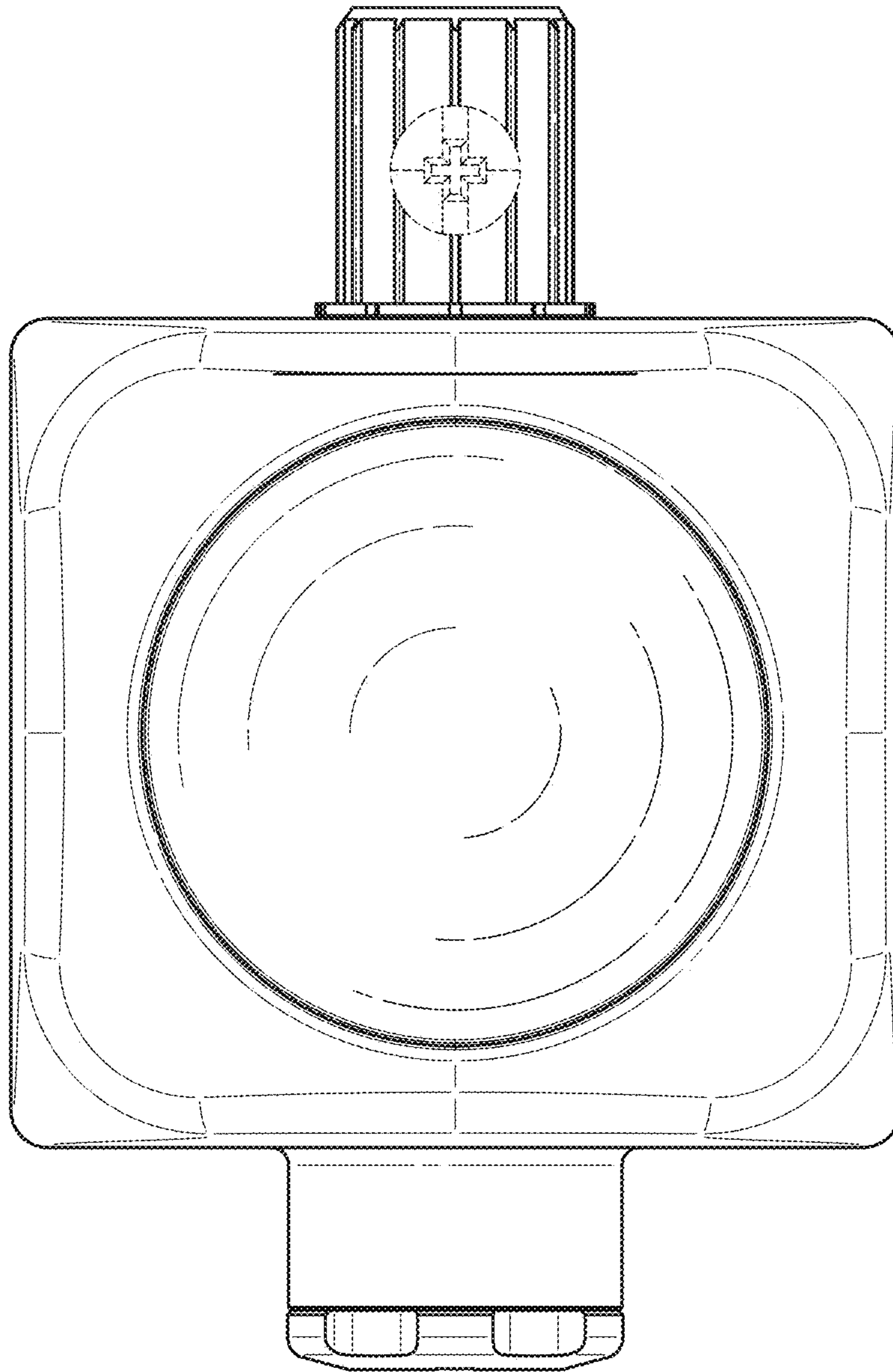


FIG. 5

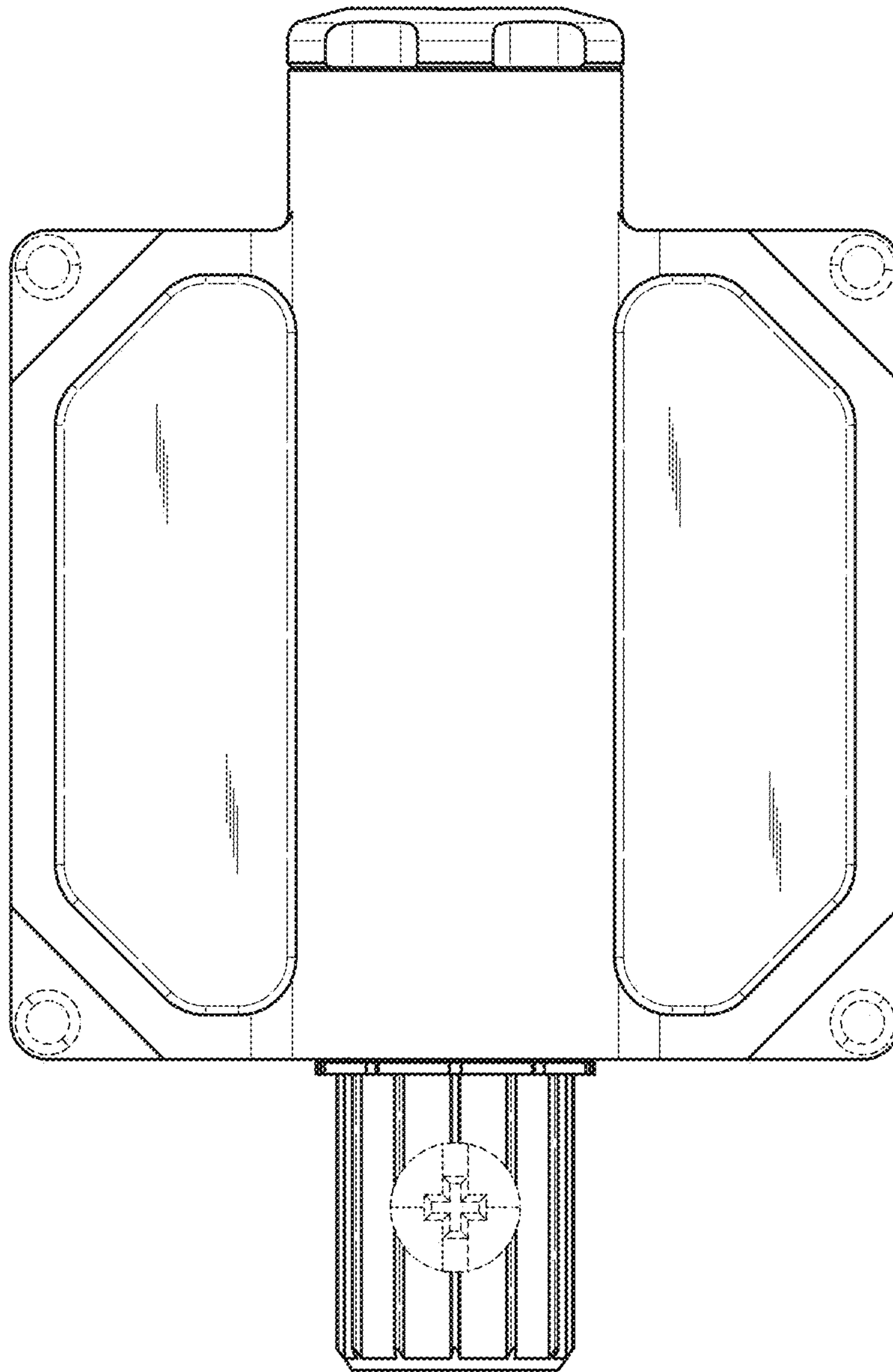


FIG. 6

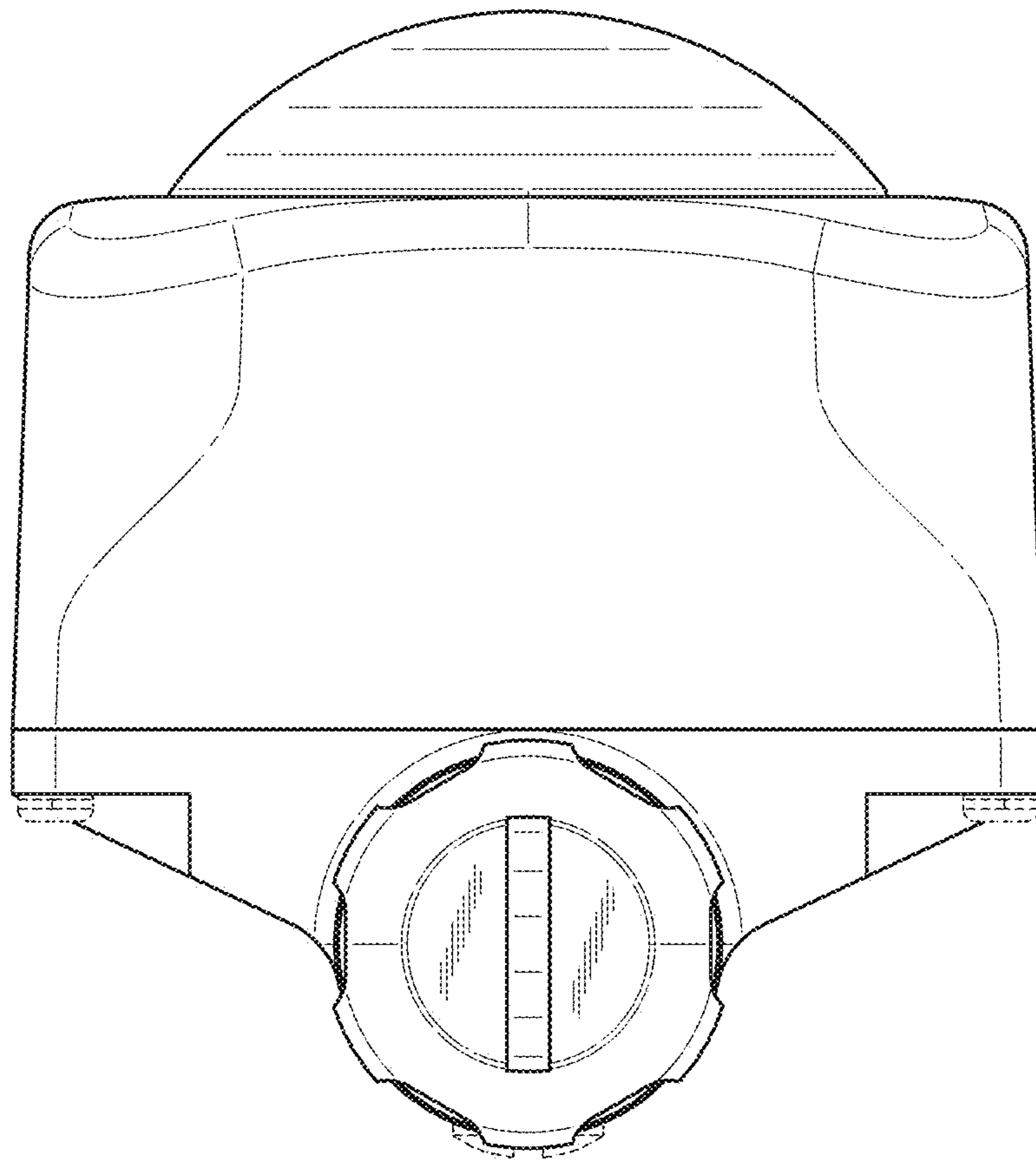


FIG. 7

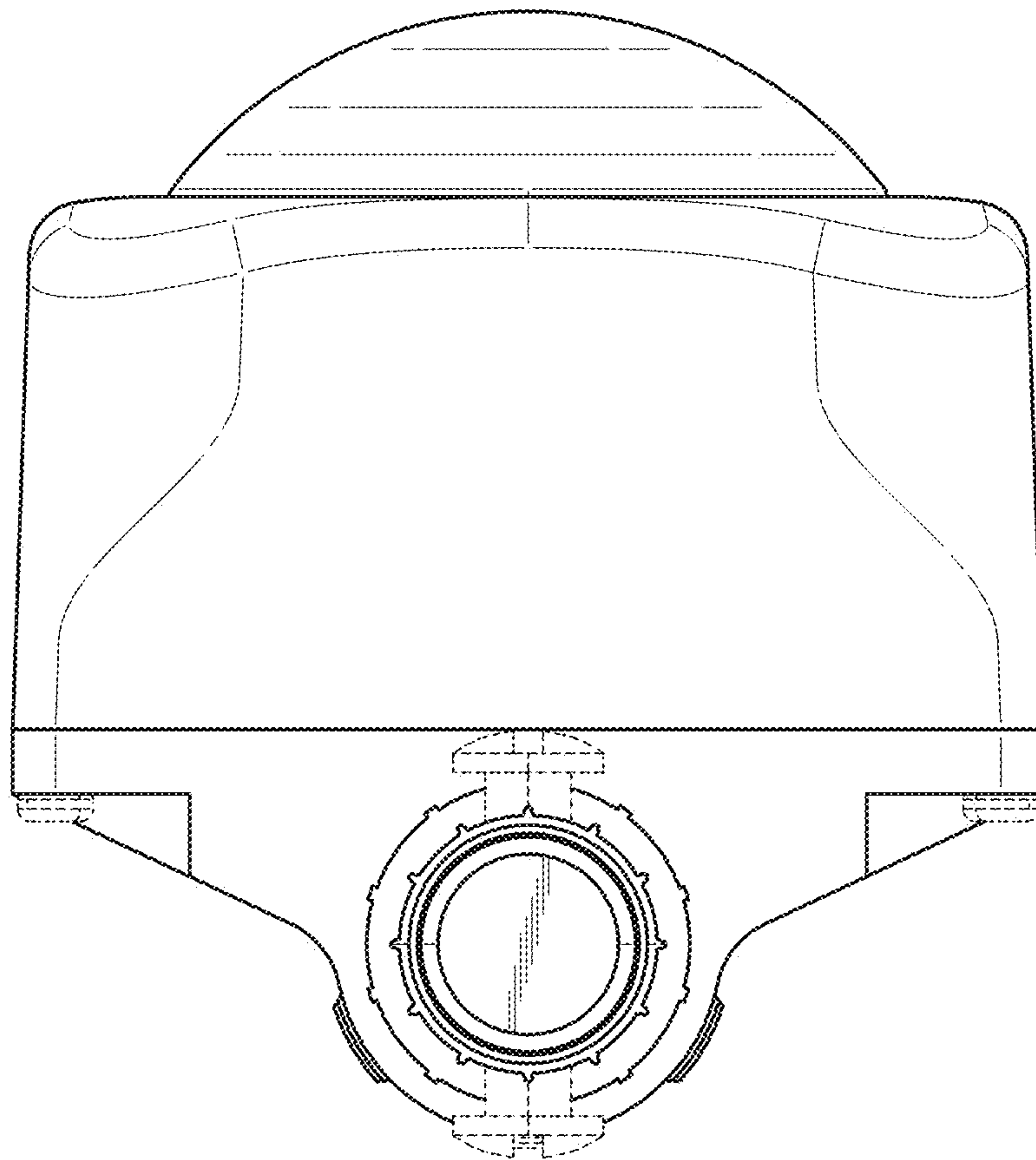


FIG. 8

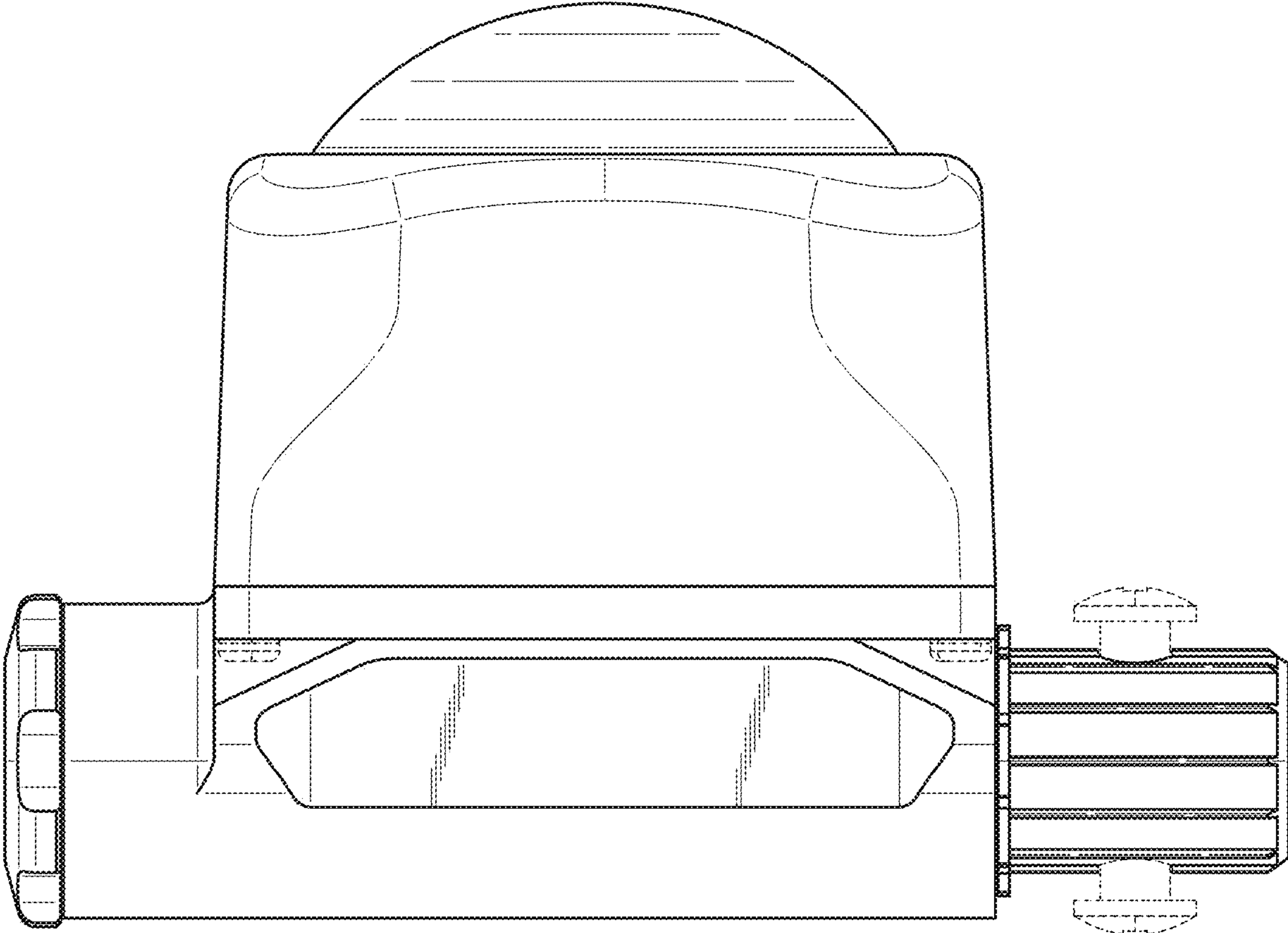


FIG. 9

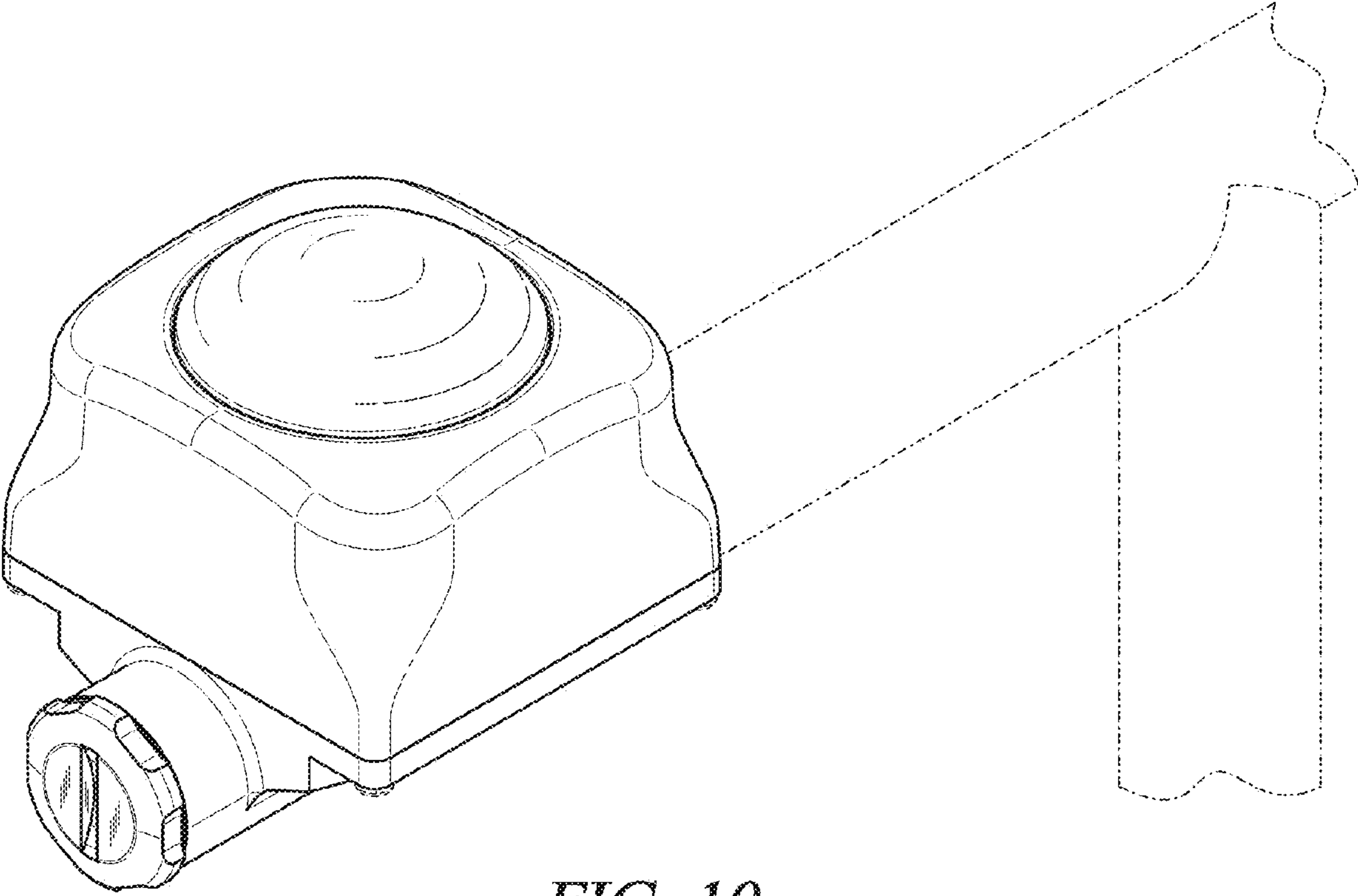


FIG. 10