



US00D987033S

(12) **United States Design Patent** (10) **Patent No.:** **US D987,033 S**
Blum (45) **Date of Patent:** **** May 23, 2023**

(54) FAUCET STREAM STRAIGHTENER	6,892,964 B2 * 5/2005 Grether	E03C 1/08 239/590.5
(71) Applicant: Neoperl GmbH , Mullheim (DE)	D550,818 S * 9/2007 Grether	D23/249
(72) Inventor: Gerhard Blum , Gutach (DE)	D612,911 S * 3/2010 Grether	D23/249
(73) Assignee: Neoperl GmbH , Müllheim (DE)	7,677,473 B2 * 3/2010 Kao	E03C 1/084 239/582.1
(**) Term: 15 Years	D641,071 S * 7/2011 Grether	D23/249
(21) Appl. No.: 29/829,777	D641,839 S * 7/2011 Grether	D23/249
(22) Filed: Mar. 8, 2022	D674,877 S * 1/2013 Jones	D23/213
	D676,525 S * 2/2013 Jones	D23/213
	D692,526 S * 10/2013 Stein	D23/249
	D693,427 S * 11/2013 Jones	D23/213
	2007/0196177 A1 * 8/2007 Tasi	E03C 1/084 405/79
	2011/0006132 A1 * 1/2011 Grether	E03C 1/084 239/428.5
	2011/0266369 A1 * 11/2011 Grether	E03C 1/084 239/428.5

Related U.S. Application Data

(62) Division of application No. 29/780,877, filed on Apr. 27, 2021, now Pat. No. Des. 949,290, which is a division of application No. 29/679,951, filed on Feb. 12, 2019, now Pat. No. Des. 921,152, which is a division of application No. 29/610,288, filed on Jul. 11, 2017, now Pat. No. Des. 844,747, which is a division of application No. 35/500,443, filed on Sep. 30, 2015 (U.S. filing date under 35 U.S.C. 384), and having an international filing date of Sep. 30, 2015, now abandoned.

(51) **LOC (14) Cl.** **23-01**
(52) **U.S. Cl.**
USPC **D23/213; D23/249**
(58) **Field of Classification Search**
USPC D23/213, 229, 233, 235, 247-249
CPC E03C 1/08; E03C 1/084; E03C 2001/026;
B05B 1/14
See application file for complete search history.

(56) **References Cited**
U.S. PATENT DOCUMENTS

4,789,103 A * 12/1988 Ruhnke	E03C 1/084 239/553.3
6,126,093 A * 10/2000 Grether	E03C 1/08 239/553.5

(Continued)

Primary Examiner — Darlington Ly
(74) *Attorney, Agent, or Firm* — Volpe Koenig

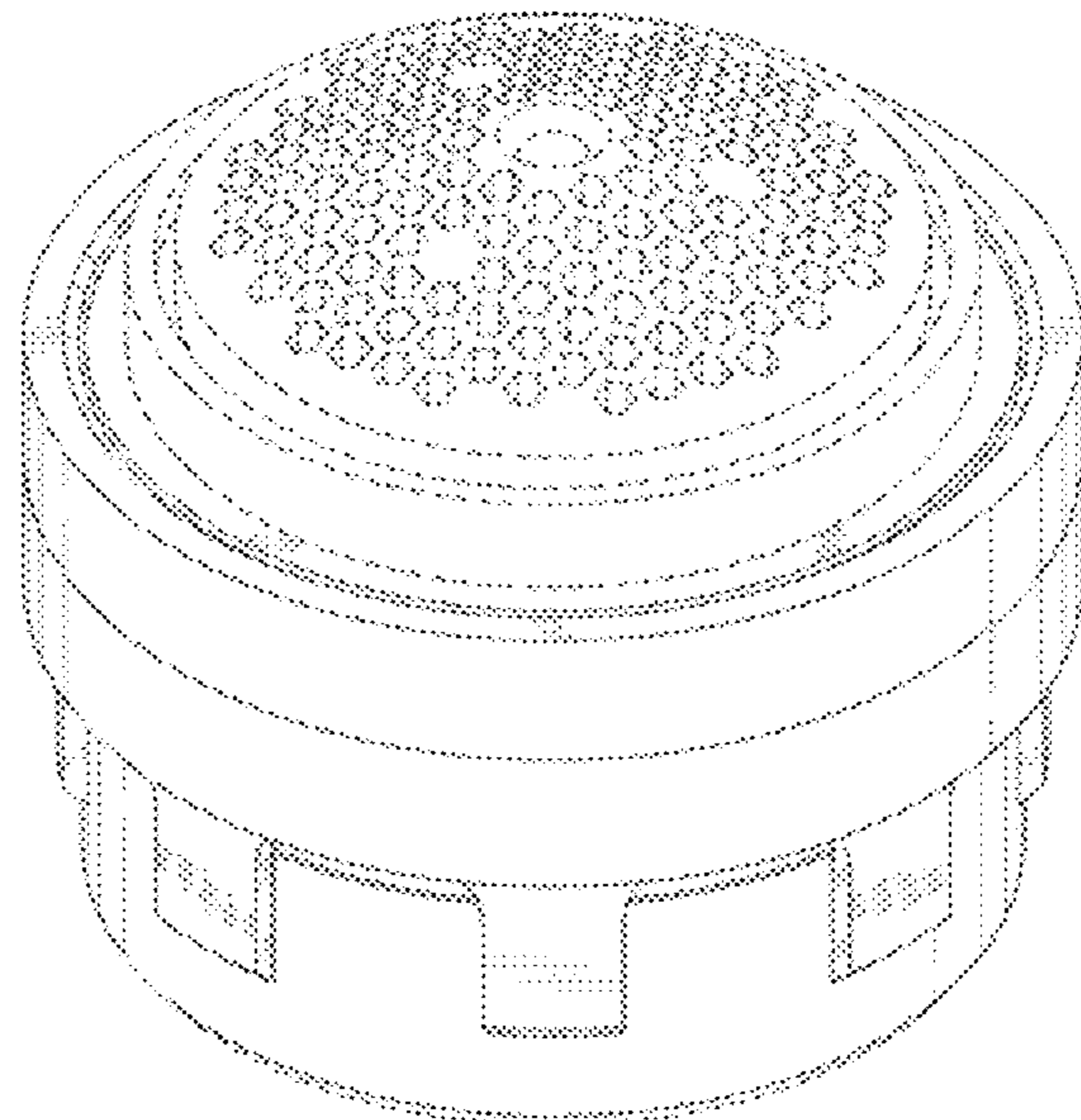
(57) **CLAIM**

The ornamental design for a faucet stream straightener, as shown and described.

DESCRIPTION

FIG. 1 is a top plan view of a faucet stream straightener in accordance with my design;
FIG. 2 is a top, front perspective view thereof;
FIG. 3 is a bottom plan view thereof;
FIG. 4 is a bottom, rear perspective view thereof;
FIG. 5 is a left side elevational view thereof;
FIG. 6 is a front elevational view thereof;
FIG. 7 is a rear elevational view thereof; and,
FIG. 8 is a right side elevational view thereof.
The broken lines represent portions of the faucet stream straightener in which the design is embodied that form no part of the claimed design.

1 Claim, 4 Drawing Sheets



(56)

References Cited

U.S. PATENT DOCUMENTS

2011/0303309 A1* 12/2011 Prenzler E03C 1/084
137/551
2016/0273199 A1* 9/2016 Blum E03C 1/08

* cited by examiner

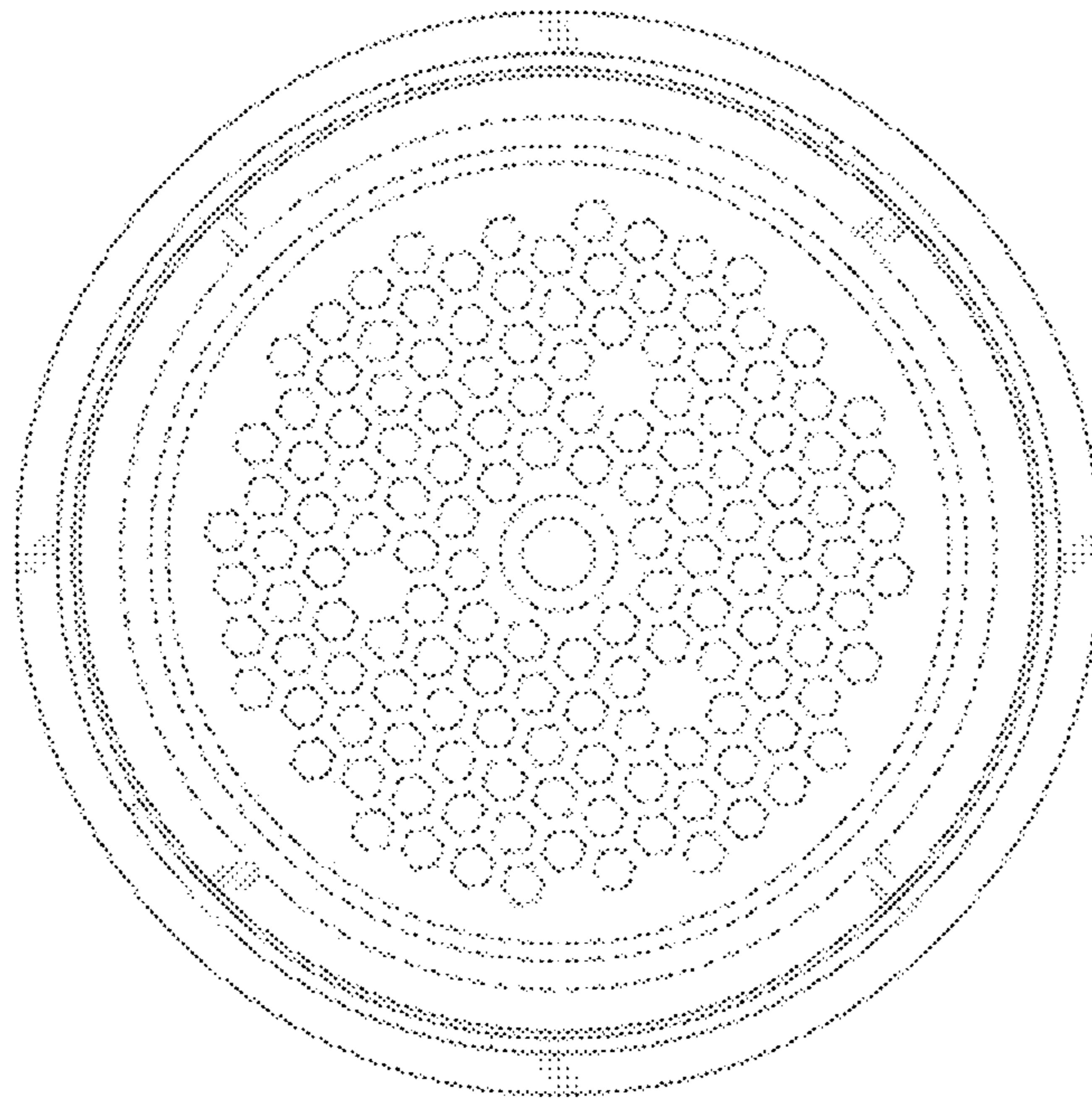


Fig. 1

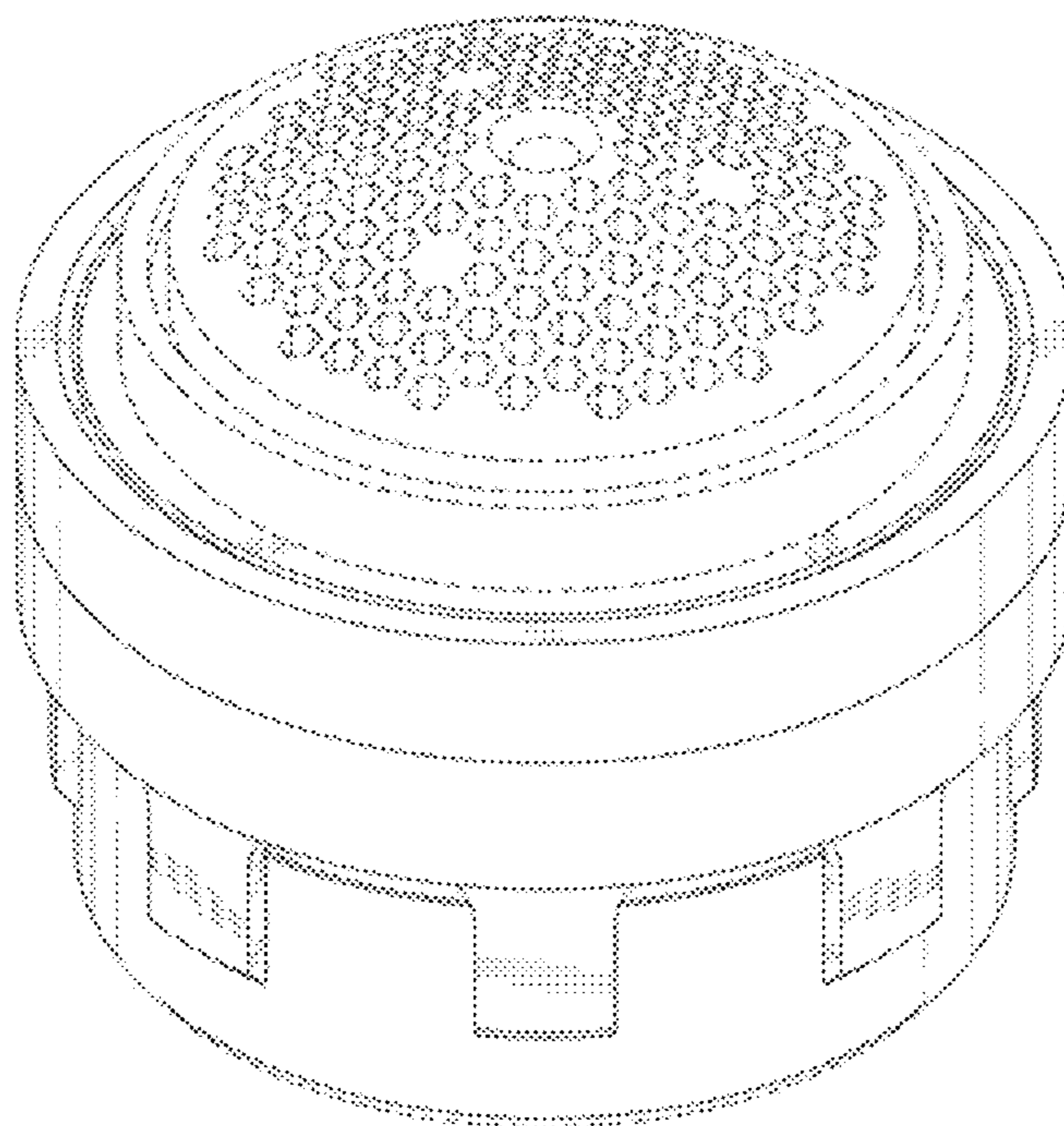


Fig. 2

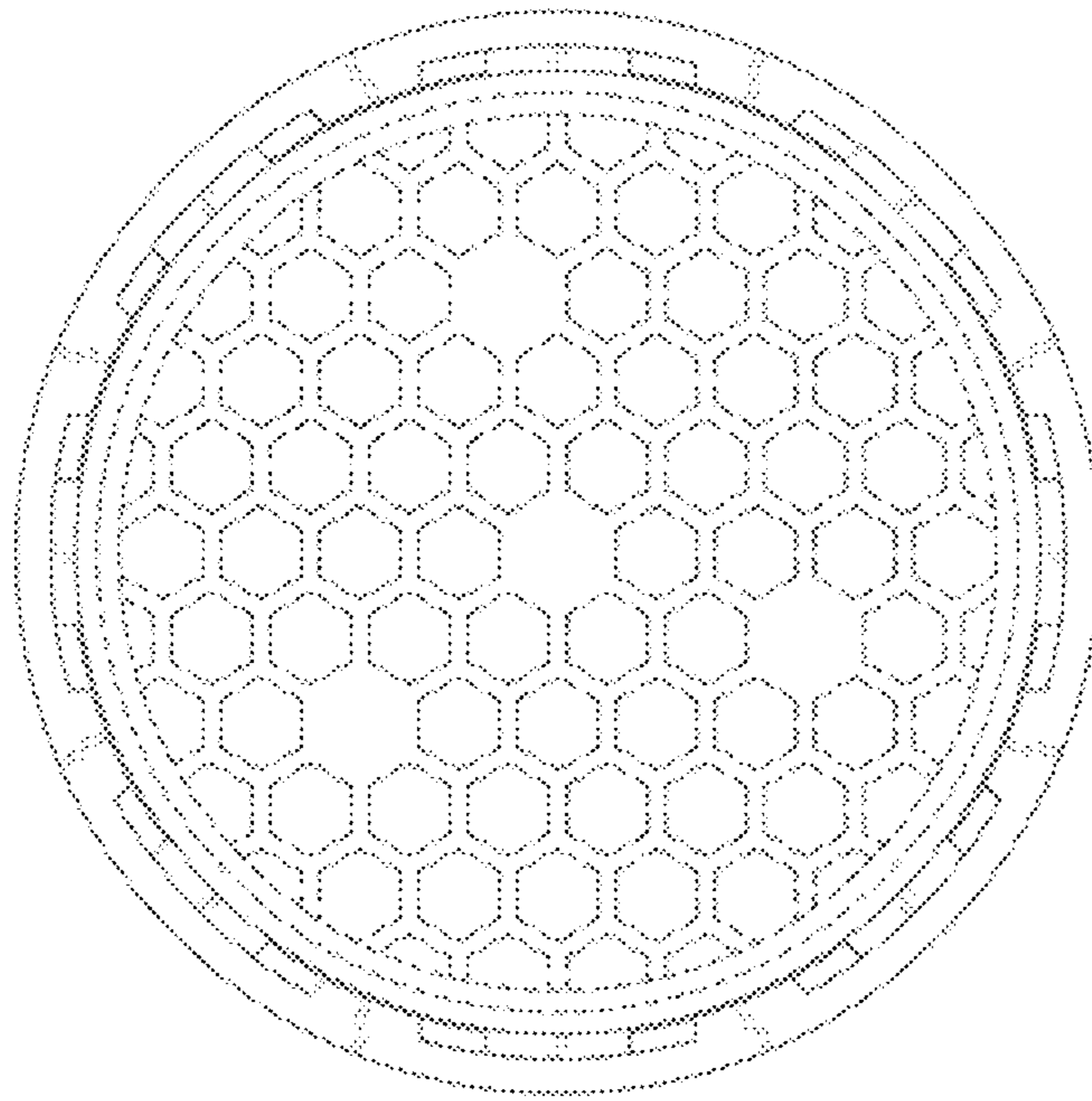


Fig. 3

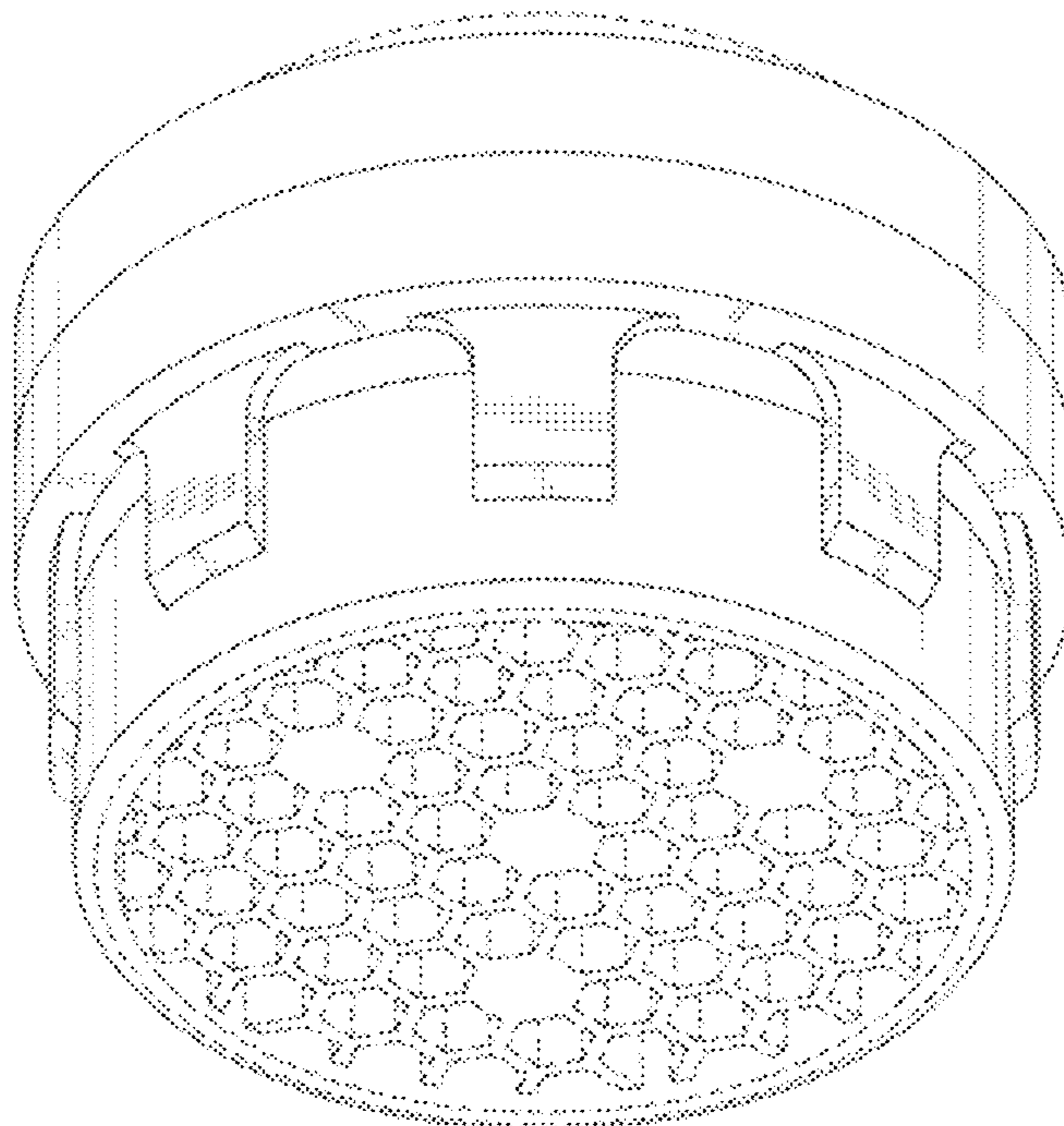


Fig. 4

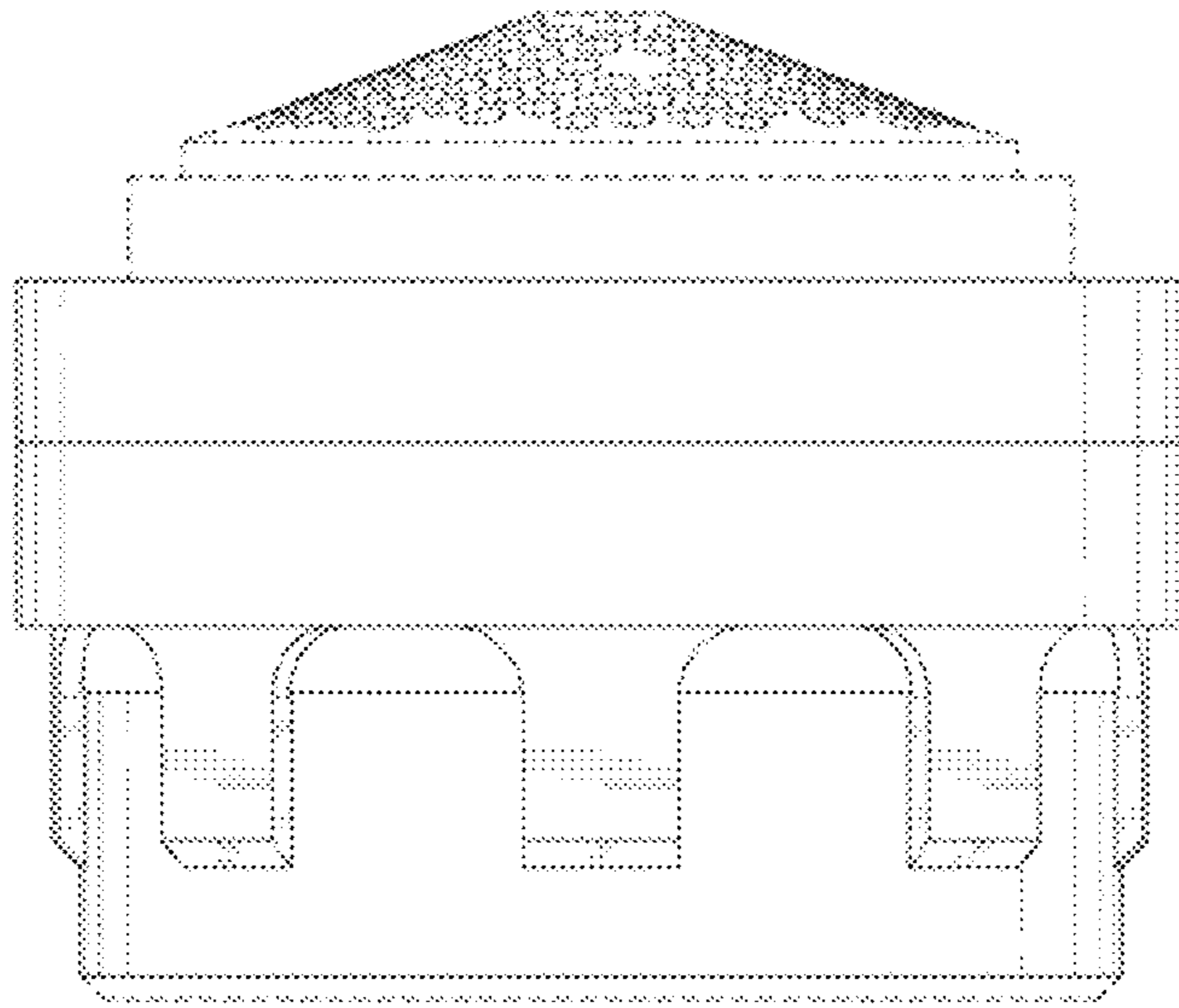


Fig. 5

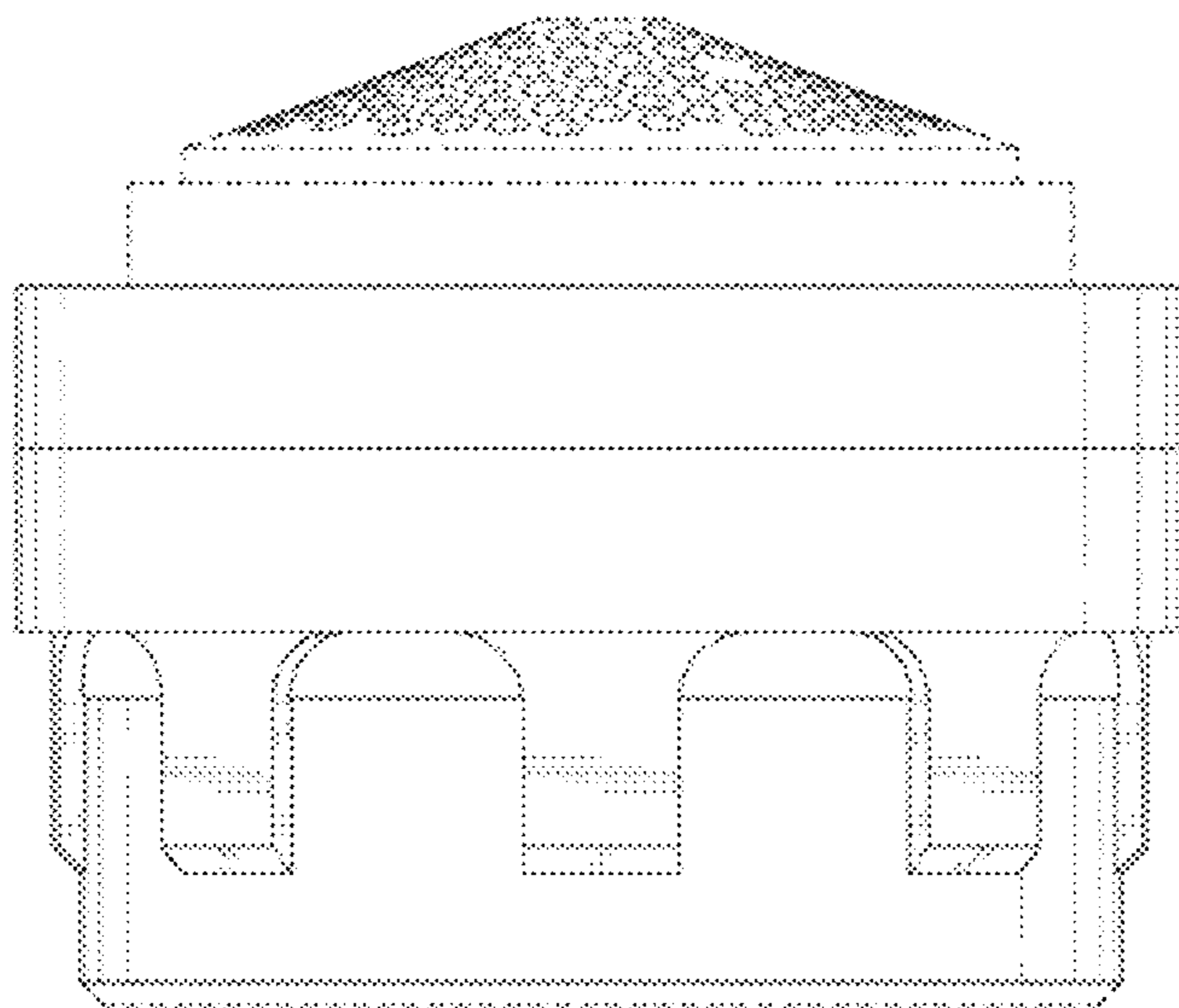


Fig. 6

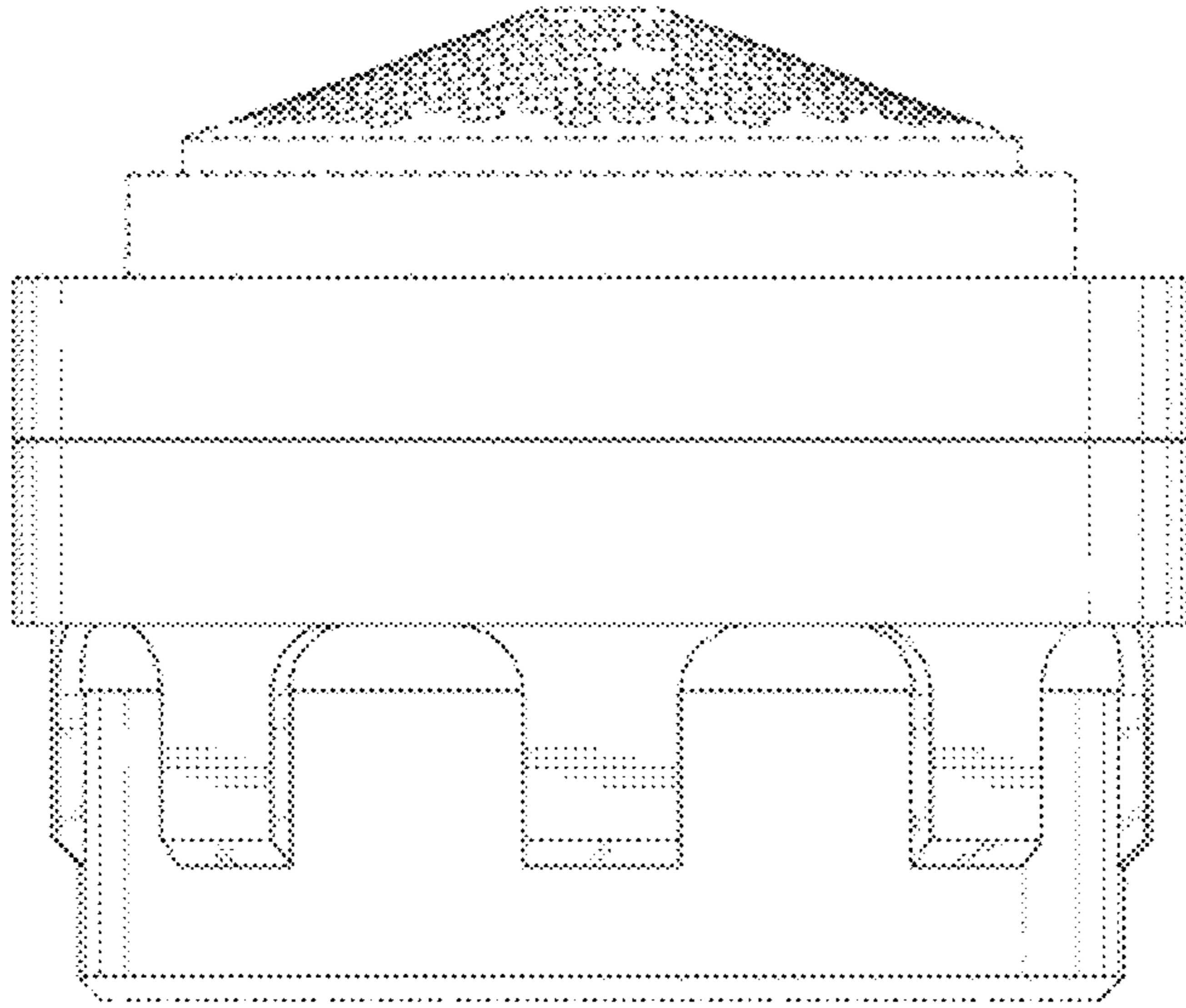


Fig. 7

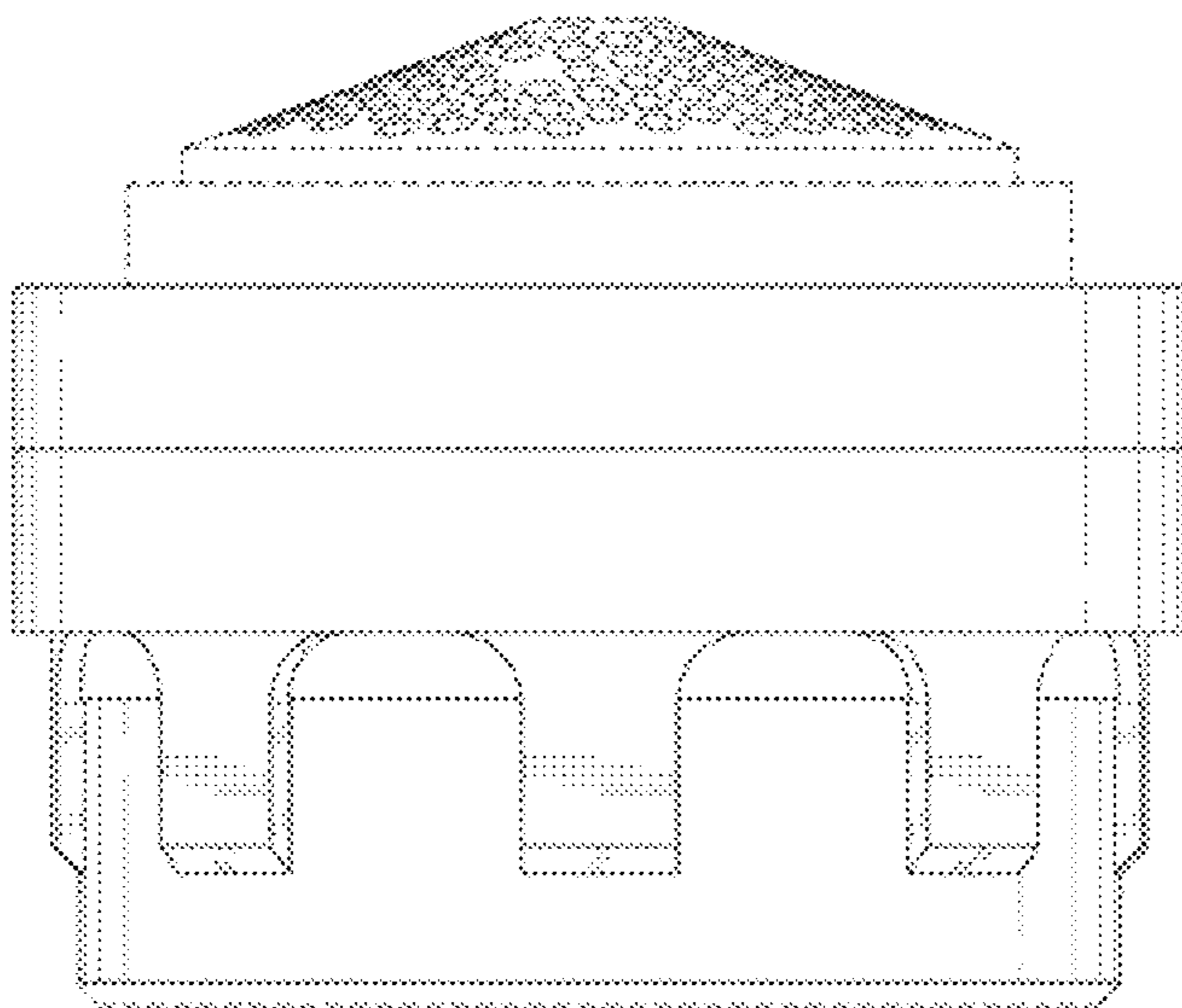


Fig. 8